

VIN PLATE DECODING INFORMATION

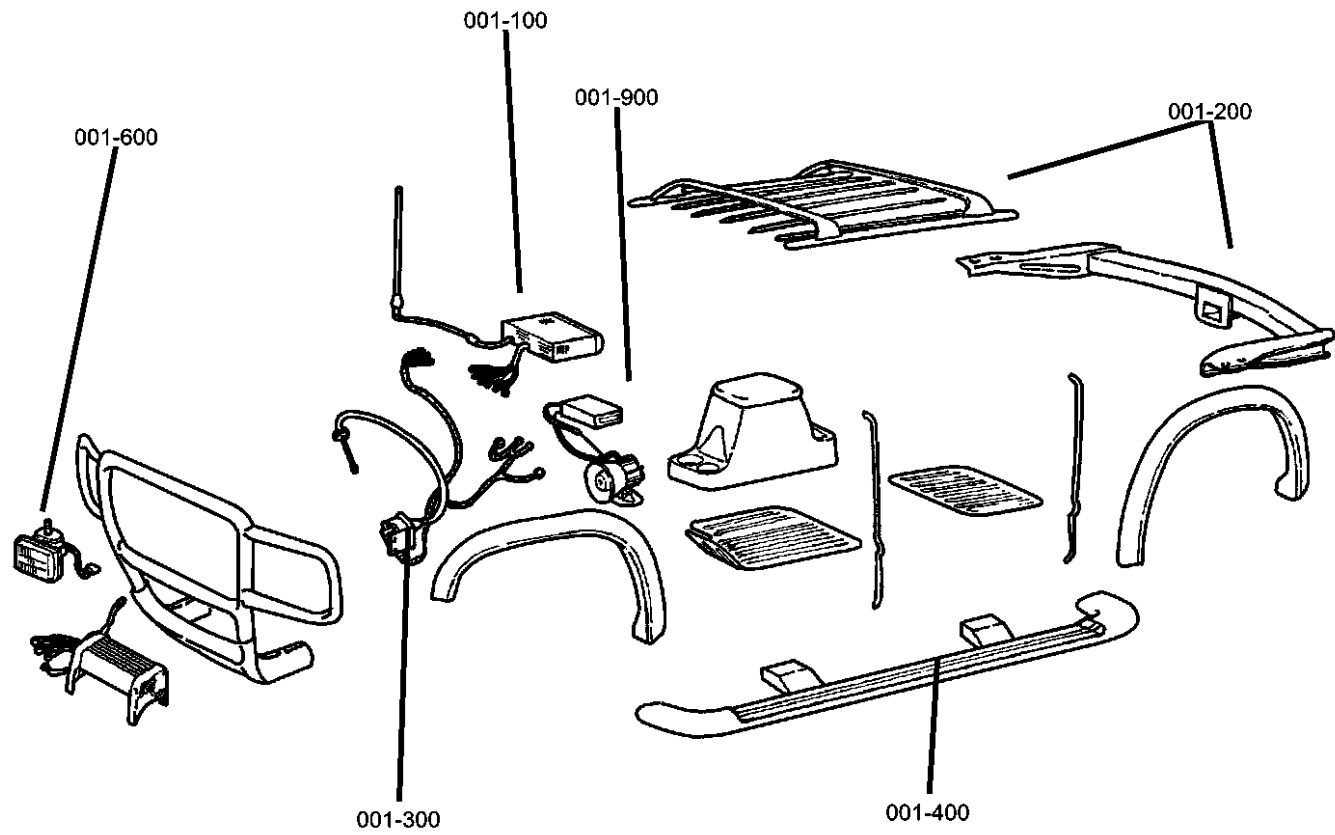
| | | | | | | | | | | | |
|----------------|-------------|---------------------|--------------|-------------|---------------|-------------------|---------------|--------------------|-------------------|--------------------|---------------------|
| 1 | 2 | 3 | 4 | 5 | 6 | 7 | 8 | 9 | 10 | 11 | 12 thru 17 |
| Country | Make | Vehicle Type | Other | Line | Series | Body Style | Engine | Check Digit | Model Year | Assy. Plant | Sequence No. |

The following table interprets the VIN Plate position shown above.

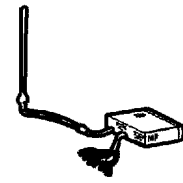
| Position | Interpretation | Codes = Description |
|------------|------------------------|---|
| 1 | Country of Origin | 3 = Built in Mexico by DaimlerChrysler de Mexico |
| 2 | Assembler | C = Chrysler |
| 3 | Vehicle Type | 8 = Multipurpose Passenger Vehicle with Side Air Bags |
| 4 | GVWR & Pass. Safety | F = 1815-2267 kg (4001-5000 lbs) D = 0-1360 kg (0-3000 lbs) E = 1361-1814 kg (3001-4000 lbs) G = 2268-2721kg (5001-6000 lbs) J = 3176-3628 kg (7001-8000 lbs) K = 3629-4082kg (8001-9000 lbs) L = 4083-4535kg (9001-10000 lbs) M = 4536-6350kg (10001-14000 lbs) F = 1815-2267 kg (4001-5000 lbs) H = 2722-3175 kg (6001-7000 lbs) |
| 5 | Vehicle Line | Y = Cruiser (LHD) Z = Cruiser (RHD) Y = Vehicle Line in Catalog = C Z = Vehicle line in catalog = z Z = Vehicle line in catalog = z |
| 6 | Series | 4 = Chrysler Cruiser |
| 7 | Body Style | B = PT-44 B = PT-44 |
| 8 | Engine | 9 = 2.0L 4 Cyl. (ECC) B = 2.4L 4 Cyl. (EDZ) |
| 9 | Check Digit | 0 = Check Digit 0 = Check Digit |
| 10 | Model Year | 1 = 2001 1 = 2001 |
| 11 | Assembly Plant | T = Toluca |
| 12 thru 17 | Vehicle Build Sequence | Model Year Assembly Sequence |

Group - 1

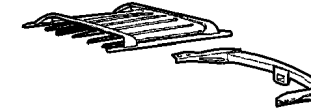
Component Parts for Mopar Accessories



001-100
Audio & Electronics



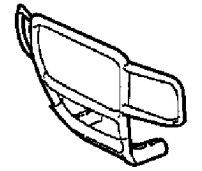
001-200
Carriers & Cargo Hauling



001-300
Driving Convenience



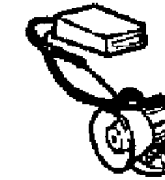
001-400
Exterior Appearance



001-600
Fog Lights & Electrical



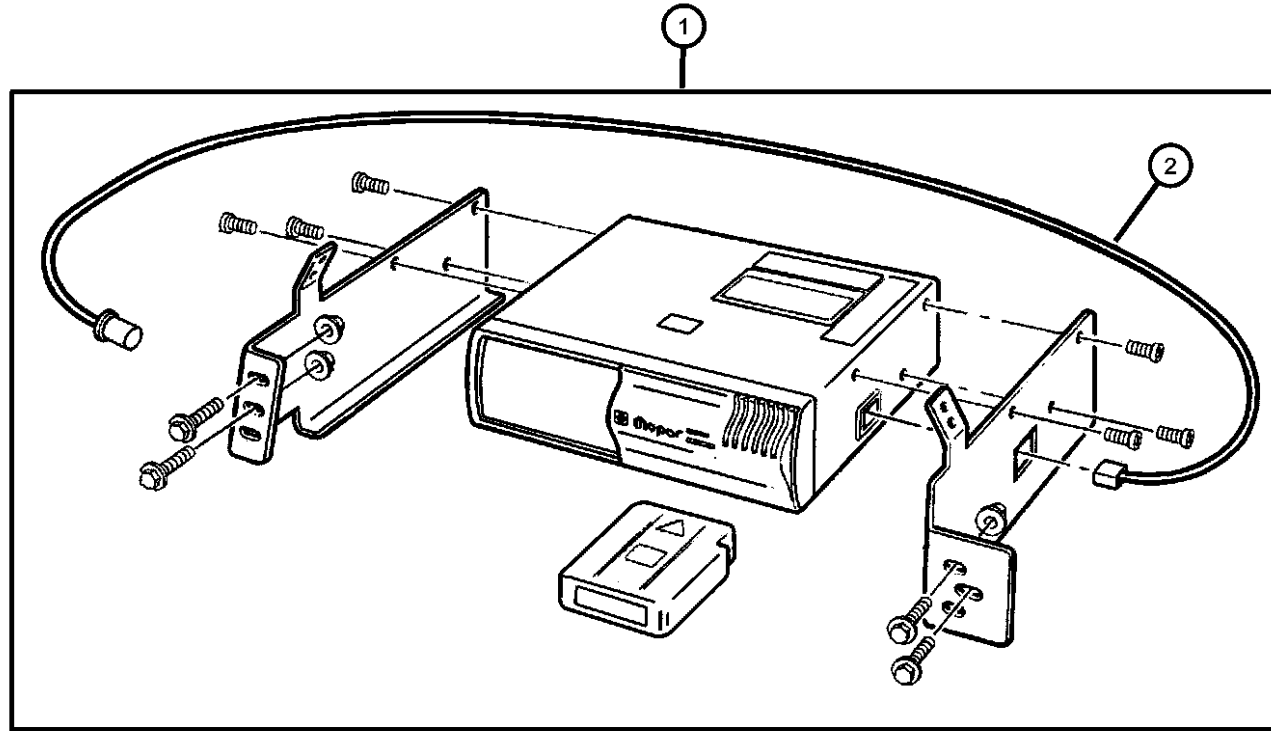
001-900
Security



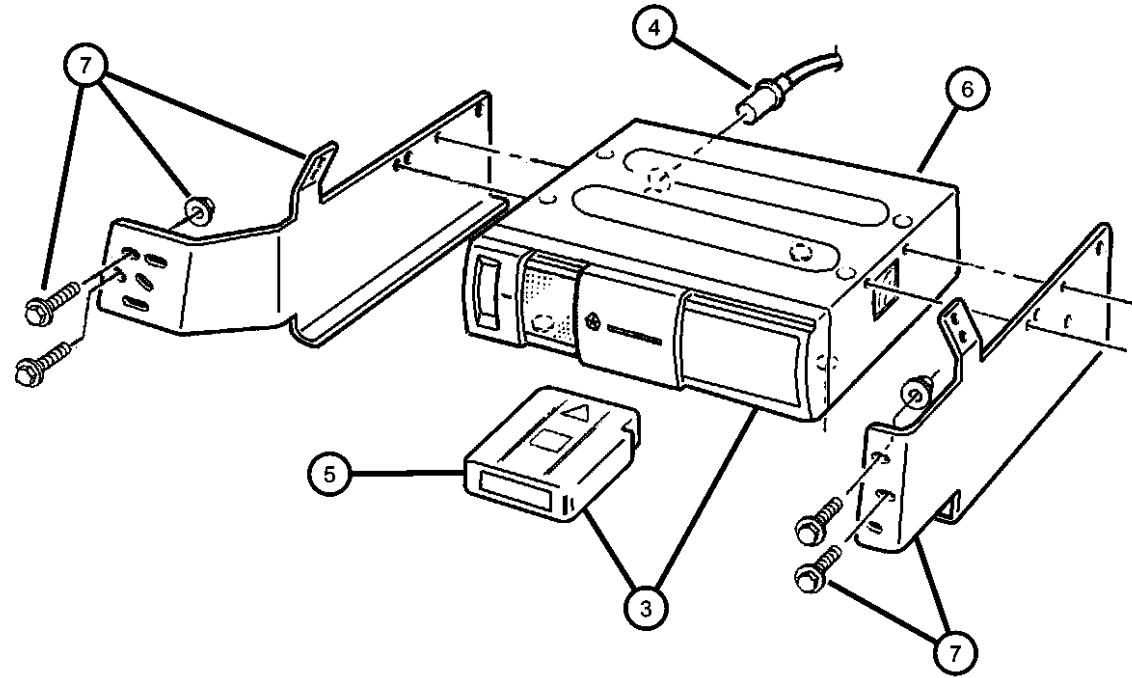
Group - 1 Component Parts for Mopar Accessories

| Illustration Title | Group-Fig. No. |
|--|----------------|
| Audio & Electronics | |
| Player Kit - 6 Disc & 10-Disc | Fig. 1 - 110 |
| Install Kit - CD Changer - Trunk | Fig. 1 - 130 |
| Navigation Kit | Fig. 1 - 140 |
| Carriers & Cargo Hauling | |
| Bike Carrier - Roof Mount | Fig. 1 - 212 |
| Bike Carrier - Roof Mount | Fig. 1 - 214 |
| Carrier Kit - Ski (Two Pair) | Fig. 1 - 222 |
| Ski Carrier - Roof Mount | Fig. 1 - 224 |
| Carrier Kit - Water Sports | Fig. 1 - 232 |
| Wiring Package - Trailer Tow | Fig. 1 - 290 |
| Driving Convenience | |
| Speed Control Kit | Fig. 1 - 310 |
| Mounting Kit - Cell Phone | Fig. 1 - 330 |
| Exterior Appearance | |
| Wheel Kits | Fig. 1 - 410 |
| Ground Effects and Spoilers | Fig. 1 - 420 |
| Fog Lights & Electrical | |
| Fog Lamps | Fig. 1 - 610 |
| Heater Kit | Fig. 1 - 620 |
| Security | |
| Alarm, EVS II, Base System | Fig. 1 - 910 |

Player Kit - 6 Disc & 10-Disc
Figure 1-110



| ITEM | PART NUMBER | QTY | LINE | SERIES | BODY | ENGINE | TRANS | TRIM | DESCRIPTION |
|------|-------------|-----|------|--------|------|--------|-------|------|--|
| 1 | 82205892 | 1 | C | | 44 | | | | PLAYER PACKAGE, CD Changer - 10 Disc, Sold as Package only |
| 2 | 05018920AB | 1 | C | | 44 | | | | CABLE, Din |
| 3 | 82202700 | 1 | C | | 44 | | | | PLAYER KIT, CD Changer - 6 Disc |
| 4 | 04465113 | 1 | C | | 44 | | | | CABLE, Din |
| 5 | 04797433 | 1 | C | | 44 | | | | MAGAZINE, CD Changer |
| 6 | 04797433 | 1 | | | | | | | CHANGER, CD, Serviced only in package, (NOT SERVICED) |
| 7 | 82205891 | 1 | C | | 44 | | | | HARDWARE KIT, Mounting |



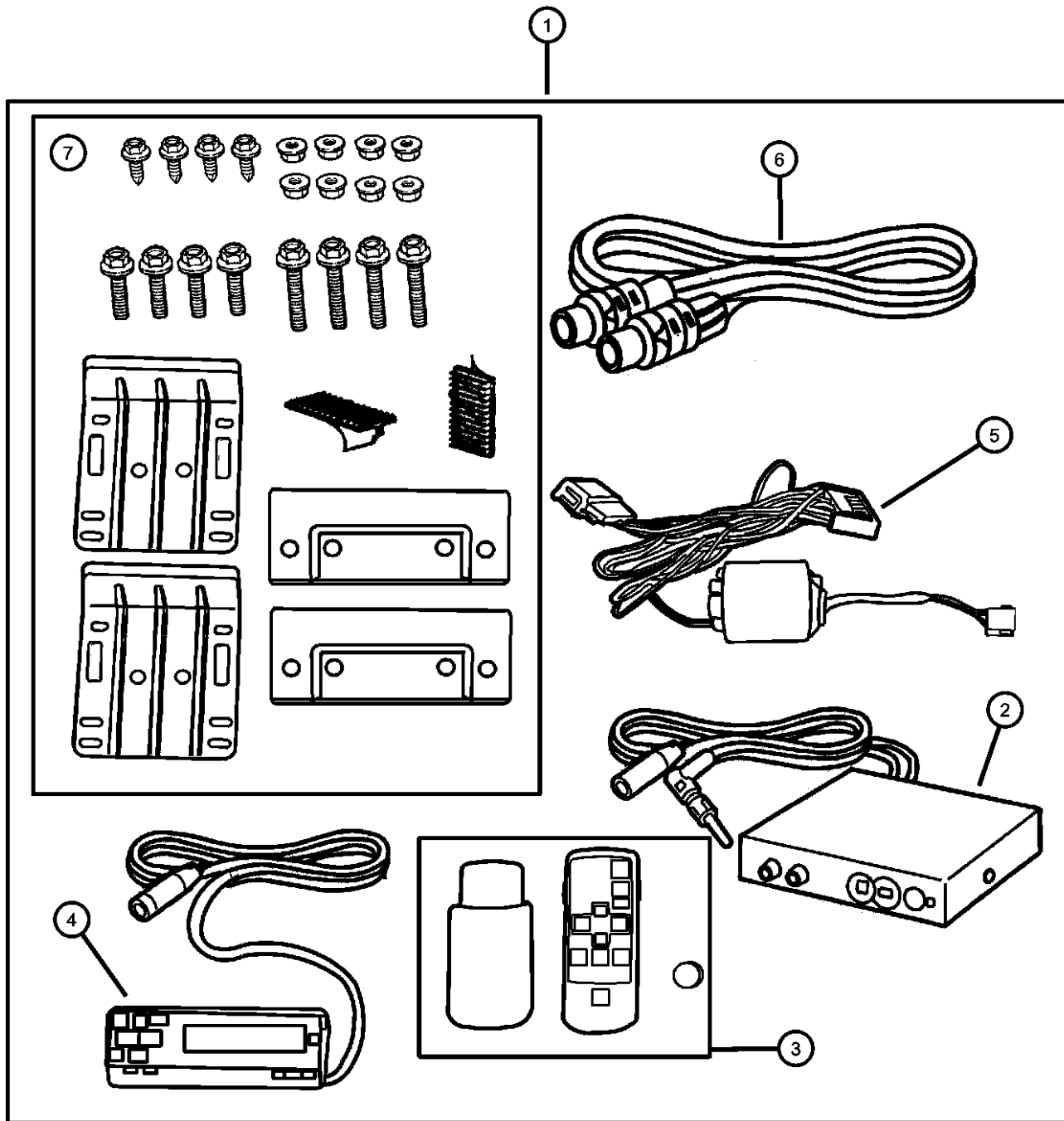
PT CRUISER (PT)

| | | | | |
|--------------|---|----------------|--|--|
| SERIES | LINE | BODY | ENGINE | TRANSMISSION |
| H = HIGHLINE | Z = CHRYSLER (RHD) C = CHRYSLER, LHD | 44 = Four Door | ECC = ENGINE - 2.0L 4 CYL DOHC 16V SMPI EDZ = ENGINE - 2.4L 4 CYL DOHC 16V SMPI | DGL = TRANSMISSION - 4-SPD. AUTOMATIC, 41TE DD5 = TRANSMISSION - 5-SPEED MANUAL DDO = All Manual Transmissions DGO = All Automatics |

AR = use ase required - = Non illustrated part

2001 PT

Install Kit - CD Changer - Trunk
Figure 1-130



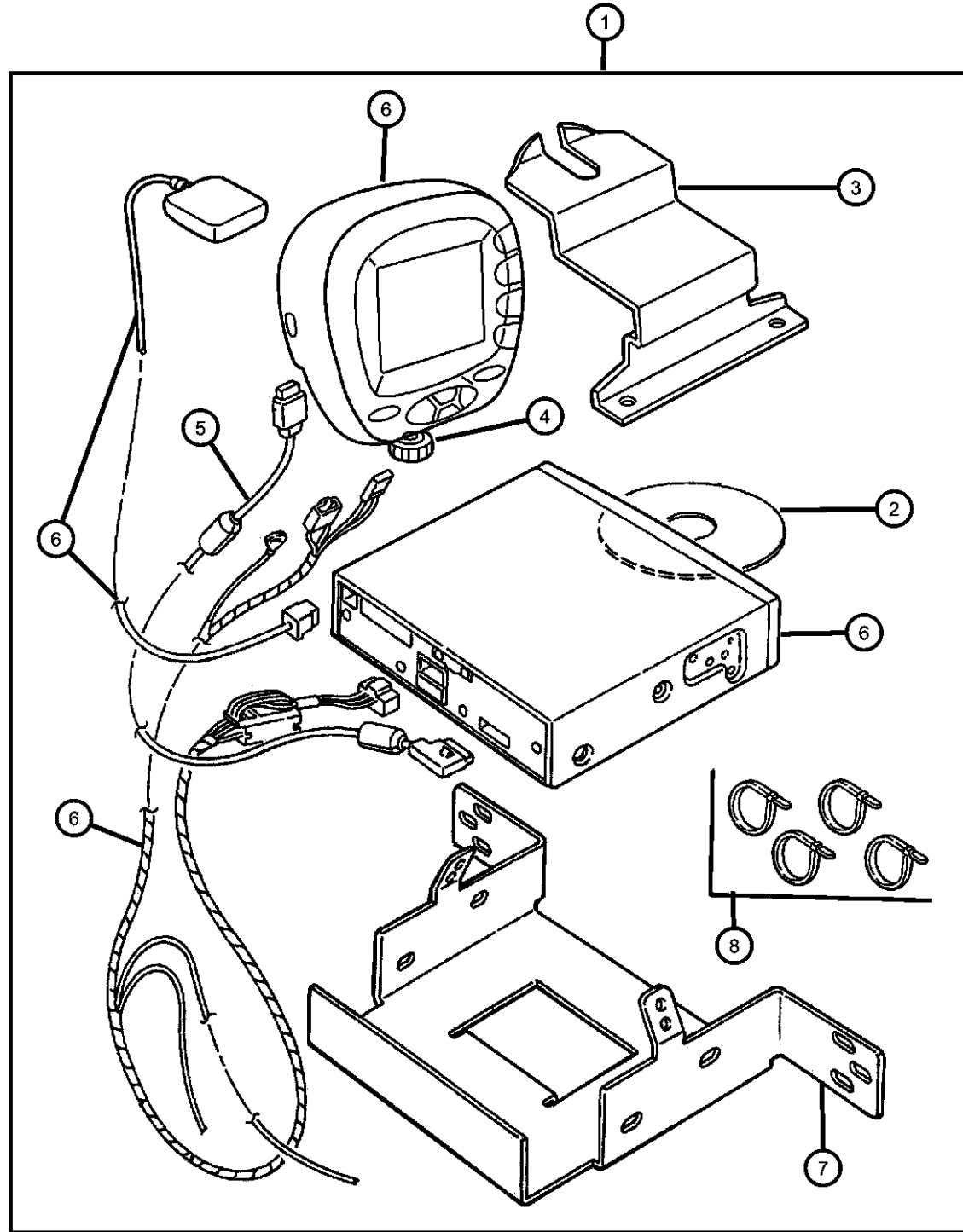
| ITEM | PART NUMBER | QTY | LINE | SERIES | BODY | ENGINE | TRANS | TRIM | DESCRIPTION |
|--|-------------|-----|------|--------|------|--------|-------|------|---|
| NOTE For PT vehicles only, Hardware Kit 82205891 must also be ordered. | | | | | | | | | |
| 1 | 82202292 | 1 | C | | 44 | | | | INSTALL KIT, CD Changer - Trunk |
| 2 | 82202292 | 1 | | | | | | | MODULATOR, FM Changer, (NOT SERVICED) |
| 3 | 05017217AA | 1 | C | | 44 | | | | CONTROLLER, CD Wireless |
| 4 | 05017217AA | 1 | | | | | | | CONTROLLER, CD Wired, (NOT SERVICED) |
| 5 | 04465117 | 1 | C | | 44 | | | | ADAPTOR, A/C |
| 6 | 04465113 | 1 | C | | 44 | | | | CABLE, Din |
| 7 | 04465113 | 1 | | | | | | | HARDWARE KIT, Brackets not Required, (NOT REQUIRED) |
| -8 | 82205891 | 1 | C | | 44 | | | | HARDWARE KIT, Mounting |

PT CRUISER (PT)

| | | | | |
|--------------|---|----------------|--|--|
| SERIES | LINE | BODY | ENGINE | TRANSMISSION |
| H = HIGHLINE | Z = CHRYSLER (RHD) C = CHRYSLER, LHD | 44 = Four Door | ECC = ENGINE - 2.0L 4 CYL DOHC 16V SMPI EDZ = ENGINE - 2.4L 4 CYL DOHC 16V SMPI | DGL = TRANSMISSION - 4-SPD. AUTOMATIC, 41TE DD5 = TRANSMISSION - 5-SPEED MANUAL DDO = All Manual Transmissions DGO = All Automatics |

AR = use ase required - = Non illustrated part

Navigation Kit
Figure 1-140



| ITEM | PART NUMBER | QTY | LINE | SERIES | BODY | ENGINE | TRANS | TRIM | DESCRIPTION |
|------|-------------|-----|------|--------|------|--------|-------|------|--|
| 1 | | | | | | | | | NAVIGATION KIT, Vehicle |
| | 82206320 | 1 | C | | 44 | | | | Western |
| | 82206321 | 1 | C | | 44 | | | | Central |
| | 82206322 | 1 | C | | 44 | | | | Eastern |
| 2 | | | | | | | | | COMPACT DISC, Navigation |
| | 05017415AB | 1 | C | | 44 | | | | Western |
| | 05017416AB | 1 | C | | 44 | | | | Central |
| | 05017417AB | 1 | C | | 44 | | | | Eastern |
| 3 | 05019726AA | 1 | C | | 44 | | | | BRACKET, Navigation Display |
| 4 | 05019727AA | 1 | C | | 44 | | | | SCREW, Thumb |
| 5 | 05019727AA | 1 | | | | | | | WIRING KIT, Navigation Display, Serviced in Assembly, (NOT SERVICED) |
| 6 | 82203458 | 1 | C | | 44 | | | | NAVIGATION KIT, Generic System |
| 7 | 82206319 | 1 | C | | 44 | | | | INSTALL KIT, Vehicle Navigation System |
| 8 | 82206319 | 1 | | | | | | | STRAP, Tie, (NOT SERVICED) |

PT CRUISER (PT)

| | | | | |
|--------------|---|----------------|--|--|
| SERIES | LINE | BODY | ENGINE | TRANSMISSION |
| H = HIGHLINE | Z = CHRYSLER (RHD) C = CHRYSLER, LHD | 44 = Four Door | ECC = ENGINE - 2.0L 4 CYL DOHC 16V SMPI EDZ = ENGINE - 2.4L 4 CYL DOHC 16V SMPI | DGL = TRANSMISSION - 4-SPD. AUTOMATIC, 41TE DD5 = TRANSMISSION - 5-SPEED MANUAL DDO = All Manual Transmissions DGO = All Automatics |

AR = use ase required - = Non illustrated part

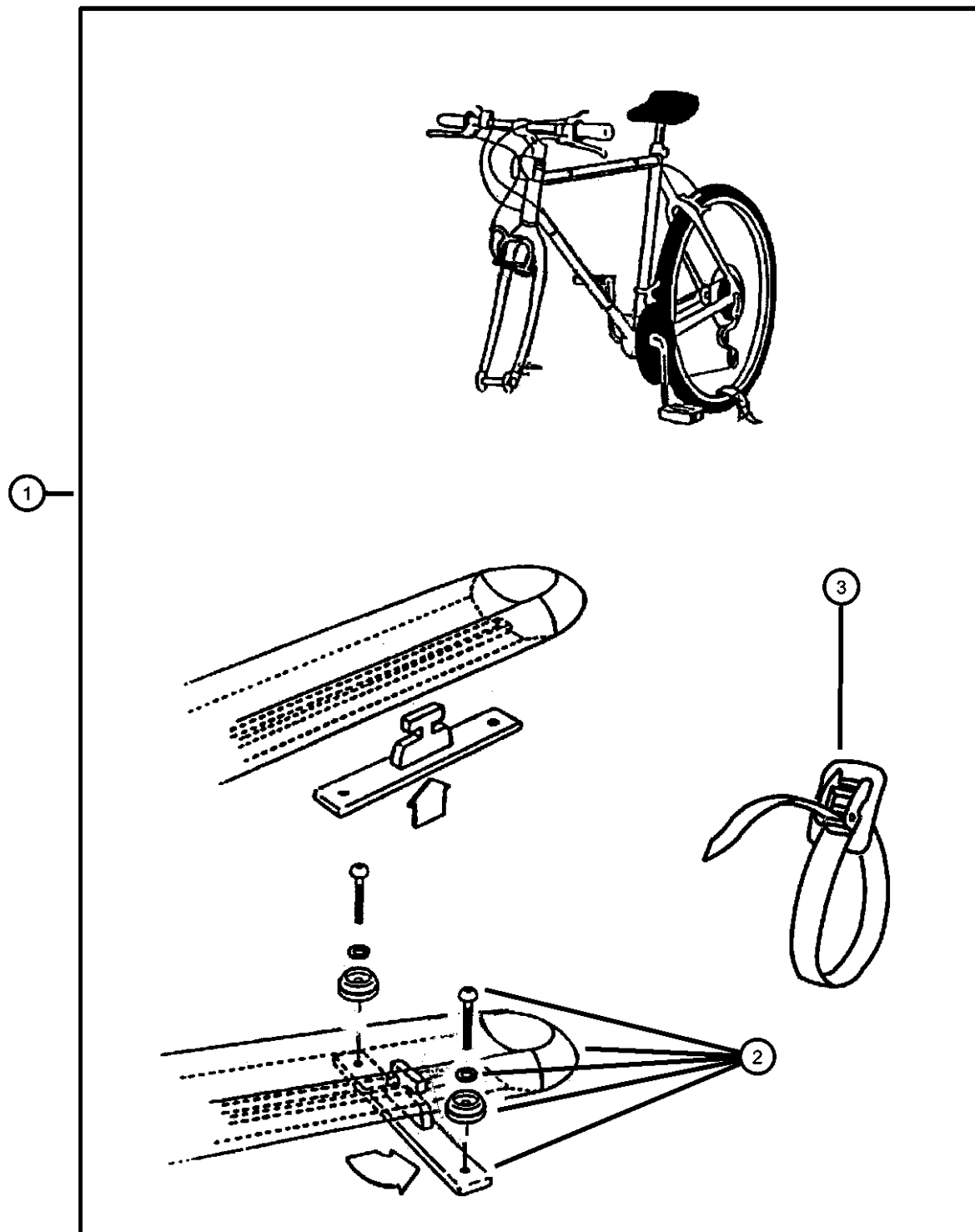
2001 PT

Bike Carrier - Roof Mount
Figure 1-212

| ITEM | PART NUMBER | QTY | LINE | SERIES | BODY | ENGINE | TRANS | TRIM | DESCRIPTION |
|------|-------------|-----|------|--------|------|--------|-------|------|-------------|
|------|-------------|-----|------|--------|------|--------|-------|------|-------------|

NOTE: Hardware Kit also contained in Carrier Kit.

| | | | | | | | | | |
|---|------------|---|---|--|----|--|--|--|---|
| 1 | 82300585 | 1 | C | | 44 | | | | CARRIER KIT, Bike, Fork - Mount |
| 2 | 05016512AA | 1 | | | 44 | | | | HARDWARE KIT, Accessory, Contains: 2 - T-Slot Bars, 4 - Round Dome Washers, 4 - M6X1.0X16MM Machine Screws and 2 - M6 Lockwashers |
| 3 | 05016513AA | 1 | C | | 44 | | | | STRAP, Cargo Tie Down, Contains: 2 - Straps |



PT CRUISER (PT)

| | | | | |
|--------------|---|----------------|--|--|
| SERIES | LINE | BODY | ENGINE | TRANSMISSION |
| H = HIGHLINE | Z = CHRYSLER (RHD) C = CHRYSLER, LHD | 44 = Four Door | ECC = ENGINE - 2.0L 4 CYL DOHC 16V SMPI EDZ = ENGINE - 2.4L 4 CYL DOHC 16V SMPI | DGL = TRANSMISSION - 4-SPD. AUTOMATIC, 41TE DD5 = TRANSMISSION - 5-SPEED MANUAL DDO = All Manual Transmissions DGO = All Automatics |

AR = use ase required - = Non illustrated part

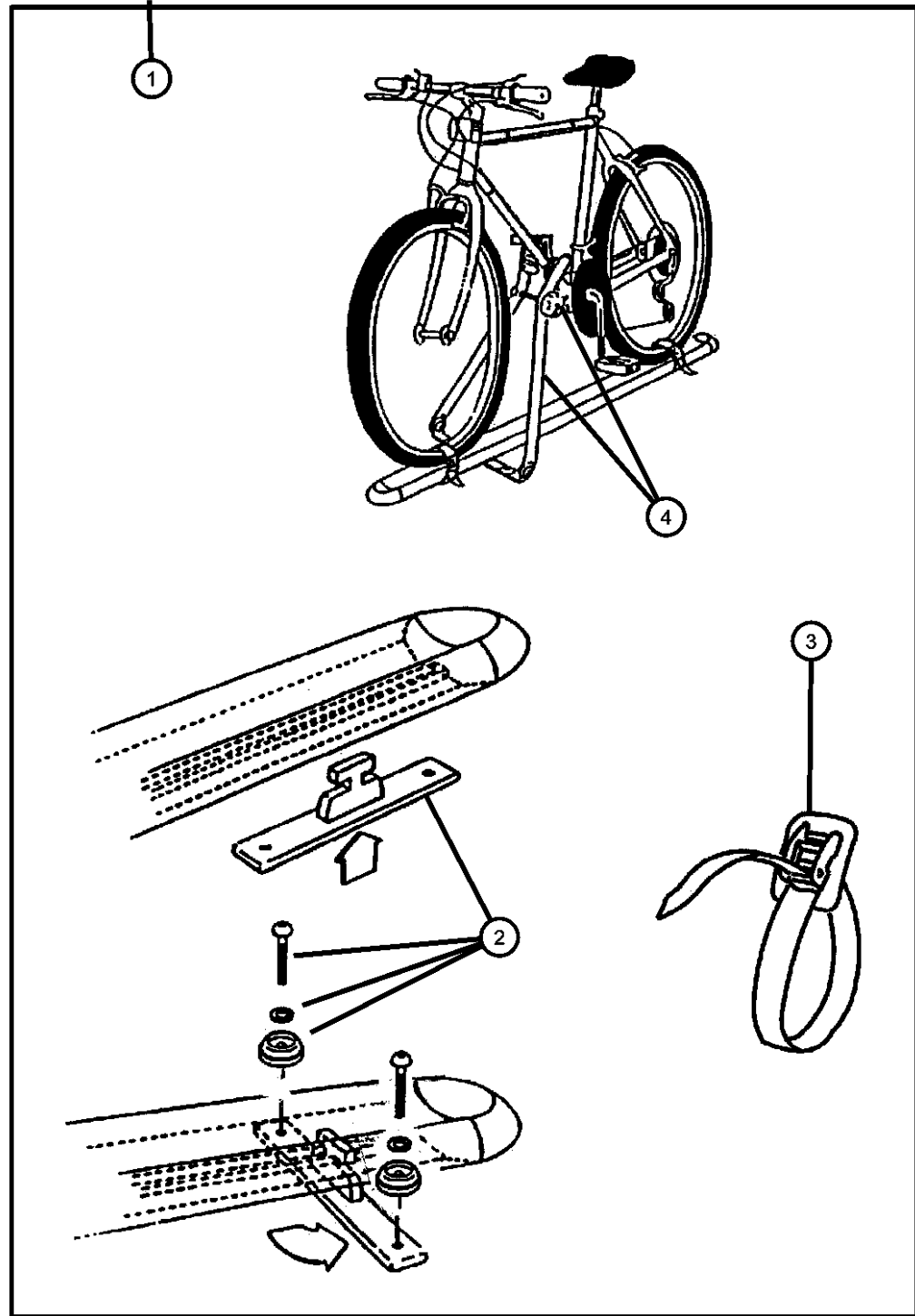
2001 PT

Bike Carrier - Roof Mount
Figure 1-214

| ITEM | PART NUMBER | QTY | LINE | SERIES | BODY | ENGINE | TRANS | TRIM | DESCRIPTION |
|------|-------------|-----|------|--------|------|--------|-------|------|-------------|
|------|-------------|-----|------|--------|------|--------|-------|------|-------------|

NOTE: Kit has Upright Clamp for Bike.

| | | | | | | | | | |
|---|------------|---|---|--|----|--|--|--|---|
| 1 | 82203471 | 1 | | | 44 | | | | CARRIER KIT, Bike, Upright - Mount |
| 2 | 05016512AA | 1 | C | | 44 | | | | HARDWARE KIT, Accessory, Consists of: 2-T-Slot Bars, 4- Round Dome Washers, 4-M6X1.0X16MM Machine Screws, 2- M6 Lockwashers |
| 3 | 05016513AA | 1 | C | | 44 | | | | STRAP, Cargo Tie Down, Consists of: 2- Straps |
| 4 | 05018194AA | 1 | | | 44 | | | | HARDWARE KIT, Bike Carrier, Consists of: 2- Upright Tube with End Caps, 1- Carriage Bolt, Carriage Bolt Bushing Adjustment Knob, 2 - Adjustment Knob Bushings Bike Tube Pad, 2- Button Head Screws, 2- Nylon Washers and Spring |



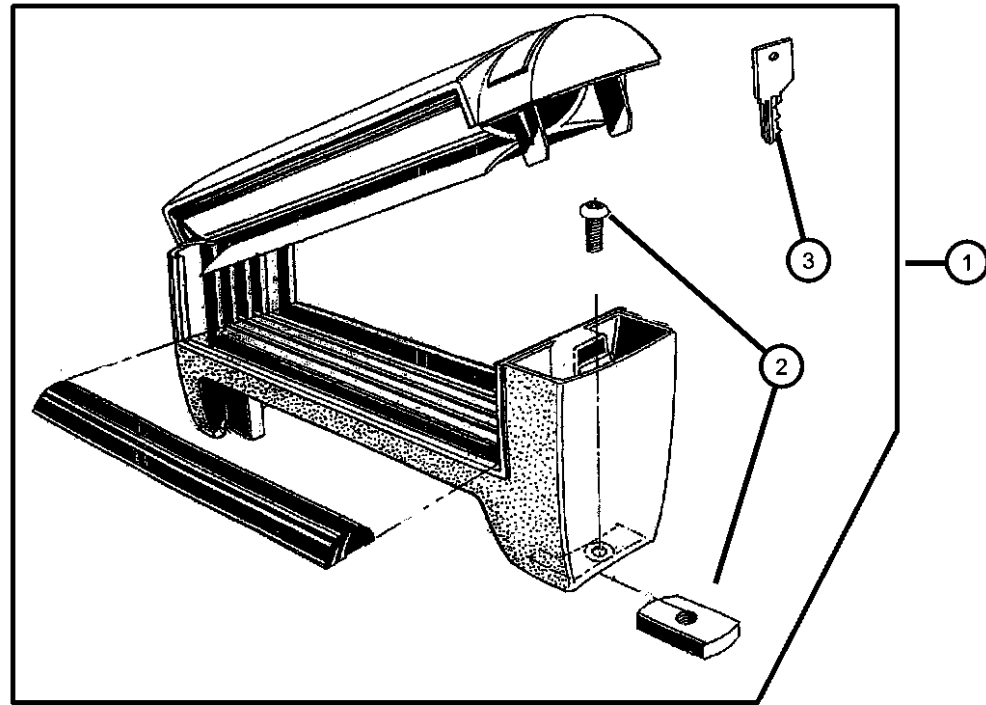
PT CRUISER (PT)

| | | | | |
|--------------|---|----------------|--|--|
| SERIES | LINE | BODY | ENGINE | TRANSMISSION |
| H = HIGHLINE | Z = CHRYSLER (RHD) C = CHRYSLER, LHD | 44 = Four Door | ECC = ENGINE - 2.0L 4 CYL DOHC 16V SMPI EDZ = ENGINE - 2.4L 4 CYL DOHC 16V SMPI | DGL = TRANSMISSION - 4-SPD. AUTOMATIC, 41TE DD5 = TRANSMISSION - 5-SPEED MANUAL DDO = All Manual Transmissions DGO = All Automatics |

AR = use ase required - = Non illustrated part

2001 PT

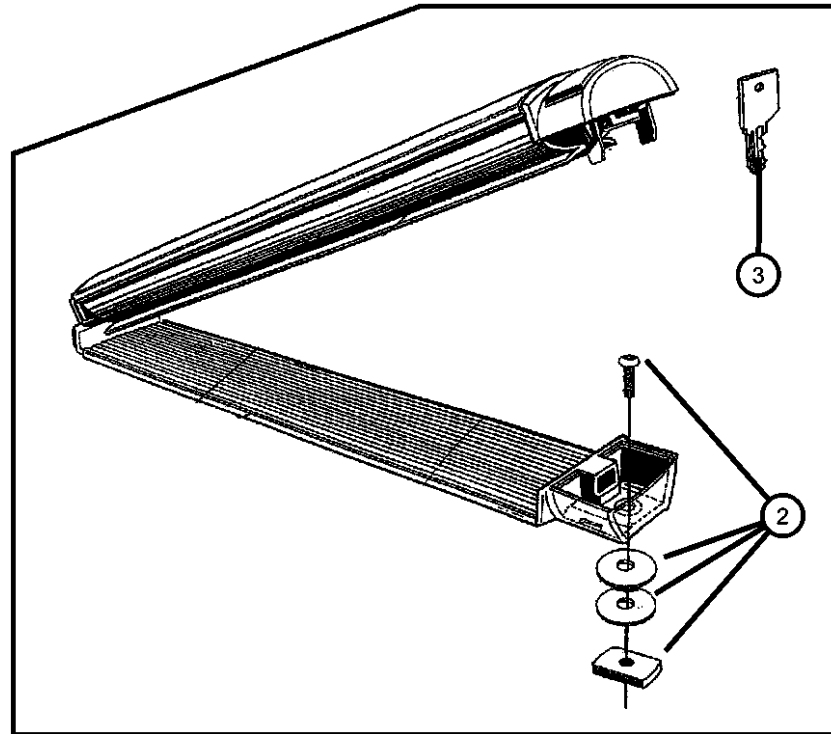
Carrier Kit - Ski (Two Pair)
Figure 1-222



| ITEM | PART NUMBER | QTY | LINE | SERIES | BODY | ENGINE | TRANS | TRIM | DESCRIPTION |
|------|-------------|-----|------|--------|------|--------|-------|------|-------------|
|------|-------------|-----|------|--------|------|--------|-------|------|-------------|

NOTE: New keys are Vendor Ship Direct.

| | | | | | | | | | |
|---|------------|---|---|--|----|--|--|--|-----------------------------|
| 1 | 82203474 | 1 | C | | 44 | | | | CARRIER KIT, Ski - 2 Pair |
| 2 | 05018389AA | 1 | C | | 44 | | | | HARDWARE KIT, Mounting |
| 3 | 05018389AA | 1 | | | | | | | KEY, Master, (NOT SERVICED) |



PT CRUISER (PT)

SERIES LINE
H = HIGHLINE Z = CHRYSLER (RHD)
C = CHRYSLER, LHD

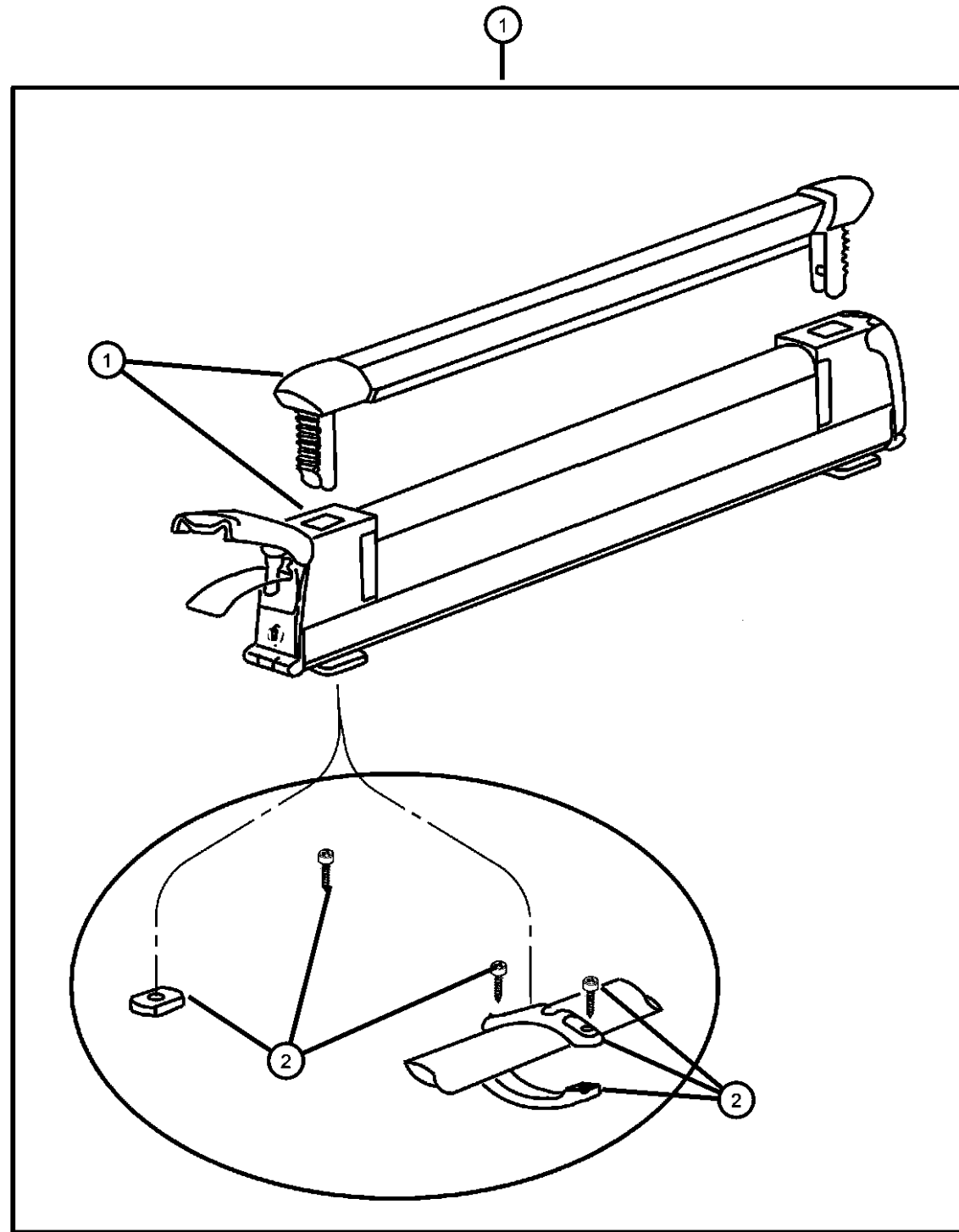
BODY
44 = Four Door

ENGINE TRANSMISSION
ECC = ENGINE - 2.0L 4 CYL DOHC 16V SMPI DGL = TRANSMISSION - 4-SPD. AUTOMATIC, 41TE
EDZ = ENGINE - 2.4L 4 CYL DOHC 16V SMPI DD5 = TRANSMISSION - 5-SPEED MANUAL
DDO = All Manual Transmissions
DGO = All Automatics

AR = use ase required - = Non illustrated part

2001 PT

Ski Carrier - Roof Mount
Figure 1-224



| ITEM | PART NUMBER | QTY | LINE | SERIES | BODY | ENGINE | TRANS | TRIM | DESCRIPTION |
|------|-------------|-----|------|--------|------|--------|-------|------|------------------------|
| 1 | 82205994 | 1 | C | | 44 | | | | CARRIER KIT, Ski |
| 2 | 05019362AA | 1 | C | | 44 | | | | HARDWARE KIT, Mounting |

PT CRUISER (PT)

SERIES

LINE

BODY

ENGINE

TRANSMISSION

H = HIGHLINE

Z = CHRYSLER (RHD)

44 = Four Door

ECC = ENGINE - 2.0L 4 CYL

DGL = TRANSMISSION - 4-SPD.

DOHC 16V SMPI

AUTOMATIC,41TE

EDZ = ENGINE - 2.4L 4 CYL

DD5 = TRANSMISSION - 5-SPEED

DOHC 16V SMPI

MANUAL

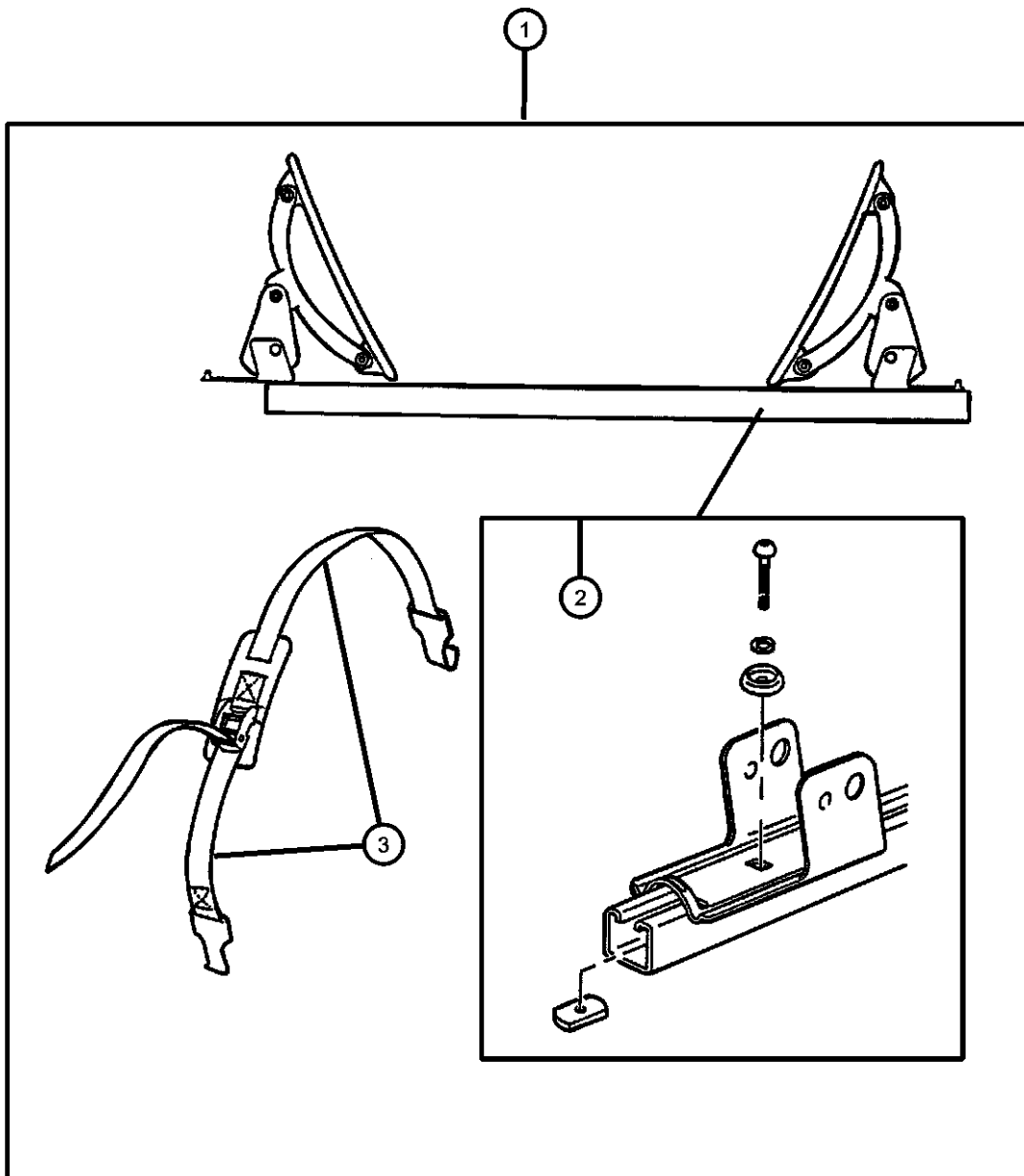
DDO = All Manual Transmissions

DGO = All Automatics

AR = use ase required - = Non illustrated part

2001 PT

Carrier Kit - Water Sports
Figure 1-232



| ITEM | PART NUMBER | QTY | LINE | SERIES | BODY | ENGINE | TRANS | TRIM | DESCRIPTION |
|------|-------------|-----|------|--------|------|--------|-------|------|---|
| 1 | 82205416 | 1 | C, Z | | 44 | | | | CARRIER KIT, Water Sports |
| 2 | 05016389AA | 1 | C, Z | | 44 | | | | HARDWARE KIT, Accessory, Consists of: 4- 25MM Button Head Screws, 4- 30MM Button Head Screws, 4- Lock Washers, 4- Dome Washers, 4- Rubber Washers and 4- T-Nuts. |
| 3 | 05016511AA | 1 | C, Z | | 44 | | | | STRAP, Cargo Tie Down |

PT CRUISER (PT)

SERIES

H = HIGHLINE

LINE

Z = CHRYSLER (RHD)
C = CHRYSLER, LHD

BODY

44 = Four Door

ENGINE

ECC = ENGINE - 2.0L 4 CYL
DOHC 16V SMPI
EDZ = ENGINE - 2.4L 4 CYL
DOHC 16V SMPI

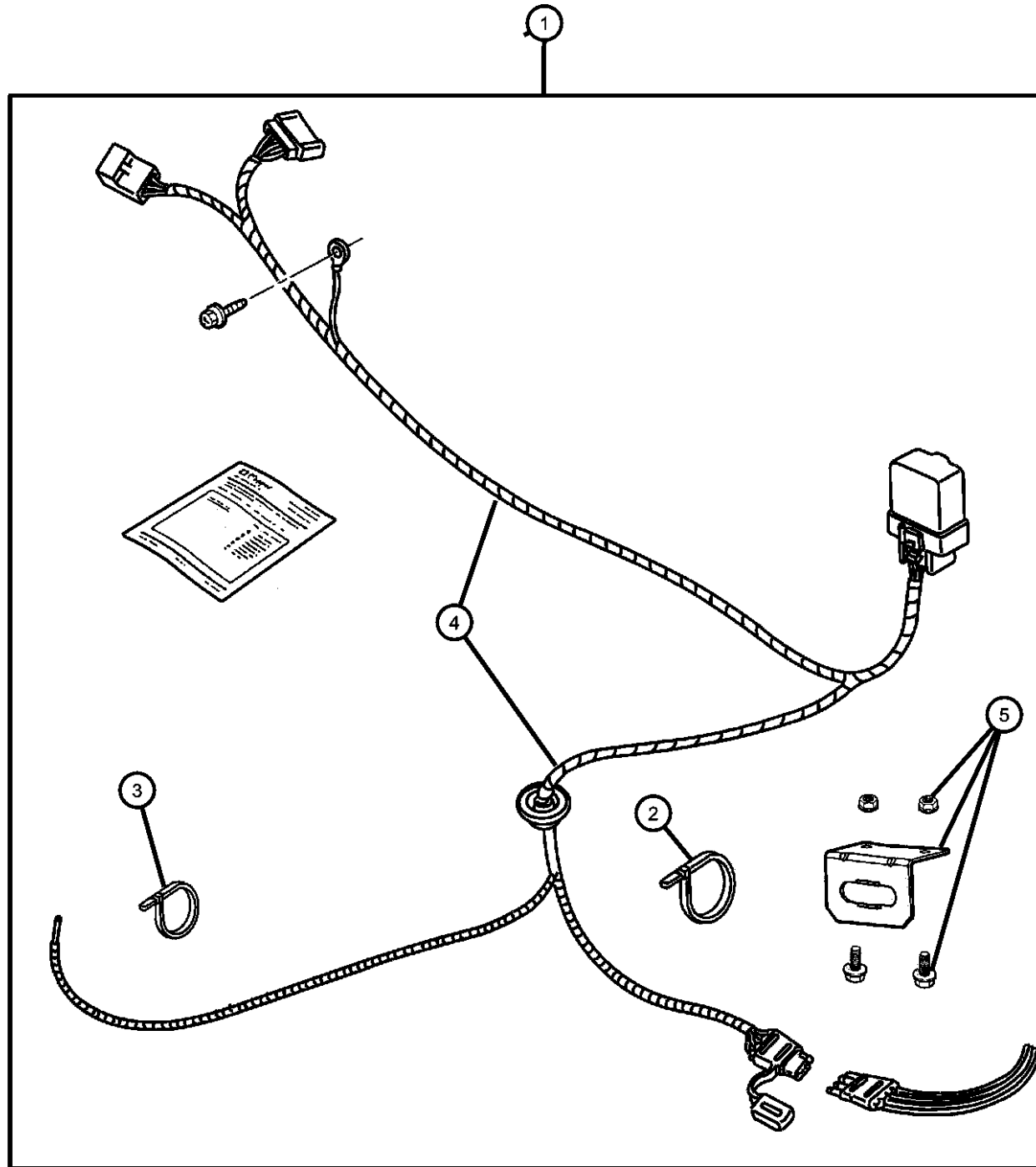
TRANSMISSION

DGL = TRANSMISSION - 4-SPD.
AUTOMATIC, 41TE
DD5 = TRANSMISSION - 5-SPEED
MANUAL
DDO = All Manual Transmissions
DGO = All Automatics

AR = use ase required - = Non illustrated part

2001 PT

**Wiring Package - Trailer Tow
Figure 1-290**



| ITEM | PART NUMBER | QTY | LINE | SERIES | BODY | ENGINE | TRANS | TRIM | DESCRIPTION |
|------|-------------|-----|------|--------|------|--------|-------|------|-----------------------------|
| 1 | 82205158 | 1 | C | | 44 | | | | WIRING PACKAGE, Trailer Tow |
| 2 | 06016155 | 1 | C | | 44 | | | | STRAP, Tie, 14 inch |
| 3 | 06015756 | 1 | C | | | | | | STRAP, Tie, 7 inch |
| 4 | 82205159 | 1 | C | | 44 | | | | WIRING, Trailer Tow - 4 Way |
| 5 | 82204602 | 1 | C | | 44 | | | | BRACKET KIT, Trailer Tow |

PT CRUISER (PT)

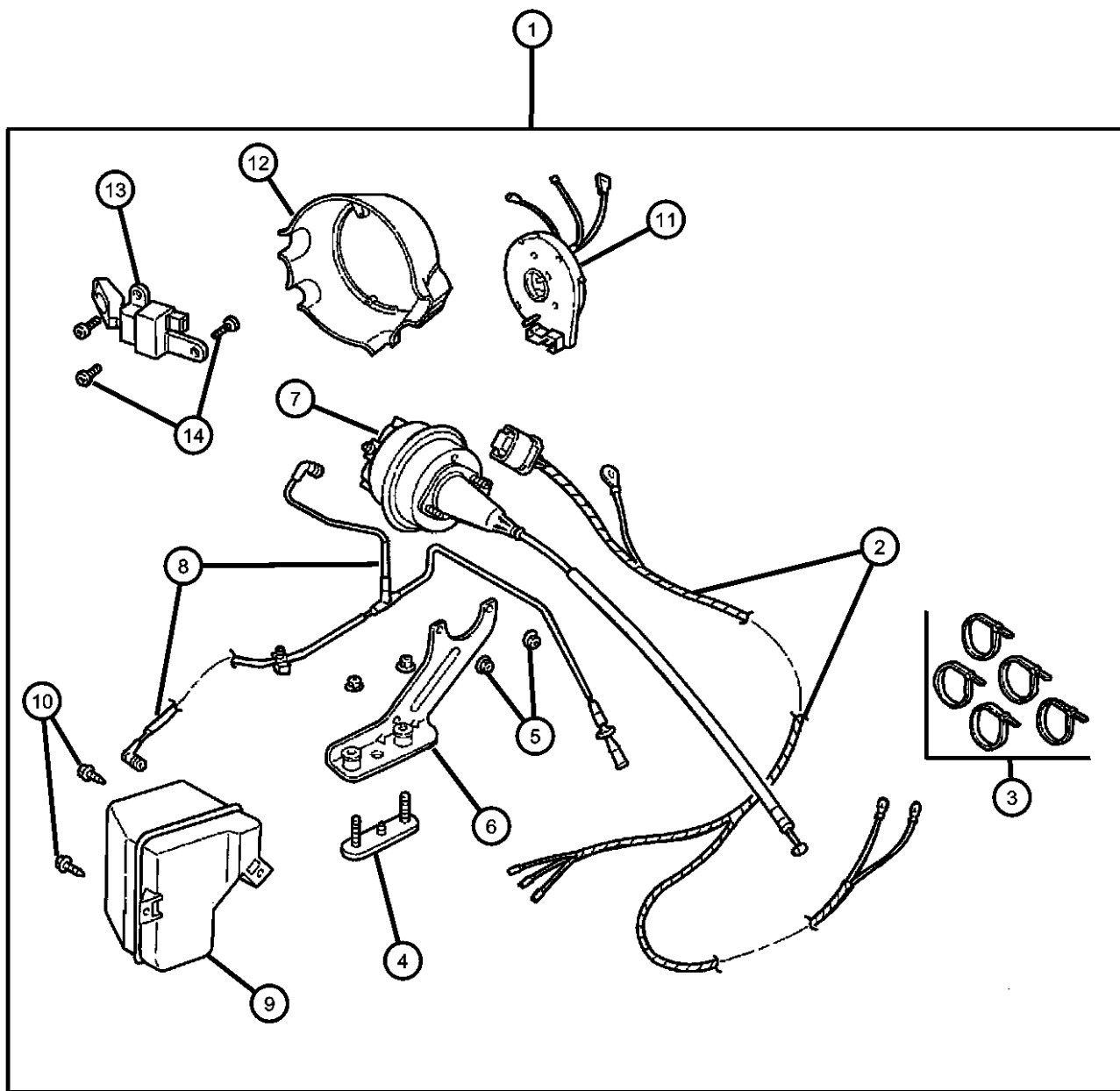
SERIES LINE
H = HIGHLINE Z = CHRYSLER (RHD)
 C = CHRYSLER, LHD

BODY
44 = Four Door

ENGINE TRANSMISSION
ECC = ENGINE - 2.0L 4 CYL DGL = TRANSMISSION - 4-SPD.
DOHC 16V SMPI AUTOMATIC, 41TE
EDZ = ENGINE - 2.4L 4 CYL DD5 = TRANSMISSION - 5-SPEED
DOHC 16V SMPI MANUAL
 DDO = All Manual Transmissions
 DGO = All Automatics

AR = use ase required - = Non illustrated part

**Speed Control Kit
Figure 1-310**



| ITEM | PART NUMBER | QTY | LINE | SERIES | BODY | ENGINE | TRANS | TRIM | DESCRIPTION |
|------|-------------|-----|------|--------|------|--------|-------|------|--|
| 1 | 82205444 | 1 | | | | | | | CONTROL PACKAGE, Speed Control up to 11-15-2000 |
| | 82207257 | 1 | C | | 44 | | | | after 11-15-2000 |
| 2 | 82205783 | 1 | C | | 44 | | | | WIRING, Speed Control |
| 3 | 06015756 | 1 | C | | | | | | STRAP, Tie, 7 inch |
| 4 | 04591046 | 1 | | | | | | | PLATE, Speed Control Servo |
| 5 | 06500274 | 1 | | | | | | | LOCK NUT, M6x1.0x6 |
| 6 | 04891362AA | 1 | | | | | | | BRACKET, Speed Control Servo |
| 7 | 04891145AA | 1 | | | | | | | SERVO, Speed Control |
| 8 | 04891147AA | 1 | | | | | | | HARNESS, Speed Control Vacuum |
| 9 | 04891403AA | 1 | | | | | | | RESERVOIR, Speed Control Vacuum |
| 10 | 06101976 | 1 | | | | | | | SCREW, Hex Flange Head, M6.3x1.81x16 |
| 11 | | | | | | | | | CLOCKSPRING |
| | 04671604AA | 1 | | | | | | | up to 11-15-2000 |
| | 04671875AB | 1 | | | | | | | after 11-15-2000 |
| 12 | 04671875AB | 1 | | | | | | | COVER, Steering Wheel, (NOT SERVICED), |
| 13 | 04671573AB | 1 | | | | | | | SWITCH, Speed Control |
| 14 | 05018376AA | 1 | | | | | | | SCREW, Pan Head, 3 required |

PT CRUISER (PT)

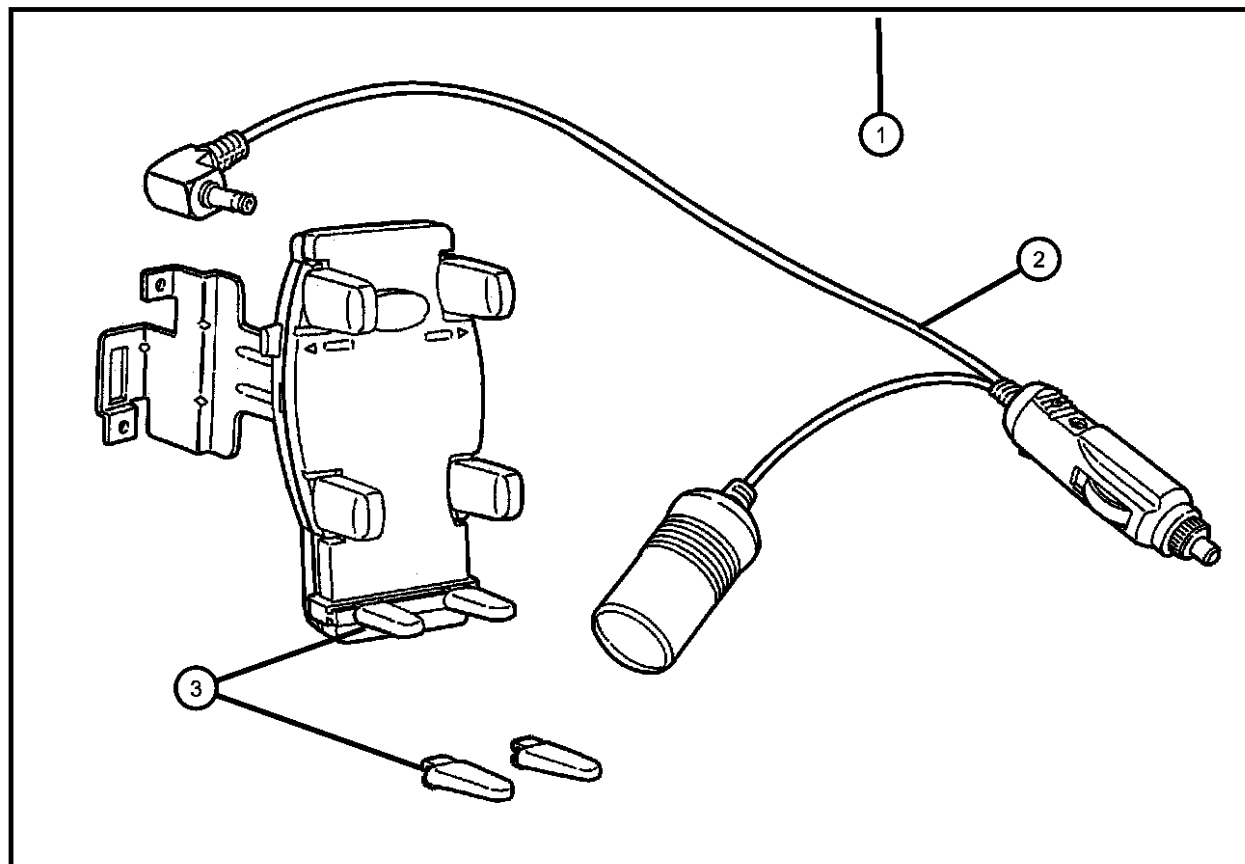
| | | | | |
|--------------|---|----------------|--|--|
| SERIES | LINE | BODY | ENGINE | TRANSMISSION |
| H = HIGHLINE | Z = CHRYSLER (RHD) C = CHRYSLER, LHD | 44 = Four Door | ECC = ENGINE - 2.0L 4 CYL DOHC 16V SMPI EDZ = ENGINE - 2.4L 4 CYL DOHC 16V SMPI | DGL = TRANSMISSION - 4-SPD. AUTOMATIC, 41TE DD5 = TRANSMISSION - 5-SPEED MANUAL DDO = All Manual Transmissions DGO = All Automatics |

AR = use ase required - = Non illustrated part

2001 PT

Mounting Kit - Cell Phone
Figure 1-330

| ITEM | PART NUMBER | QTY | LINE | SERIES | BODY | ENGINE | TRANS | TRIM | DESCRIPTION |
|------|-------------|-----|------|--------|------|--------|-------|------|---|
| 1 | 82205729 | 1 | C | | 44 | | | | MOUNTING KIT, Cellular Phone |
| 2 | 05016536AA | 1 | C | | 44 | | | | CORD, Cellular Phone, Replacement: 18 inches, with Y Accessory Feed |
| 3 | 05018103AA | 1 | C | | 44 | | | | HARDWARE KIT, Accessory, Set of Long Support Feet |



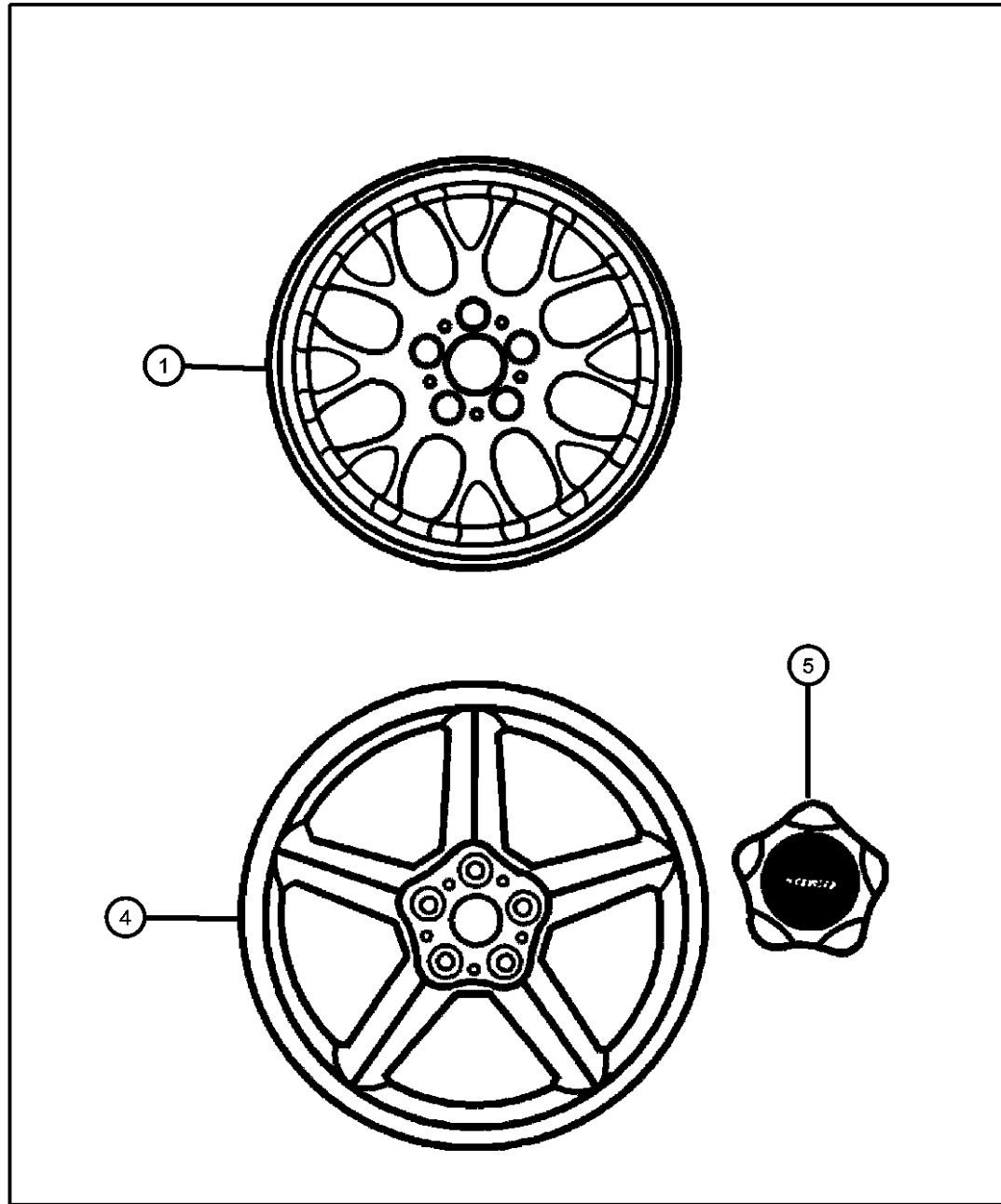
PT CRUISER (PT)

| | | | | |
|--------------|---|----------------|--|--|
| SERIES | LINE | BODY | ENGINE | TRANSMISSION |
| H = HIGHLINE | Z = CHRYSLER (RHD) C = CHRYSLER, LHD | 44 = Four Door | ECC = ENGINE - 2.0L 4 CYL DOHC 16V SMPI EDZ = ENGINE - 2.4L 4 CYL DOHC 16V SMPI | DGL = TRANSMISSION - 4-SPD. AUTOMATIC, 41TE DD5 = TRANSMISSION - 5-SPEED MANUAL DDO = All Manual Transmissions DGO = All Automatics |

AR = use ase required - = Non illustrated part

2001 PT

Wheel Kits
Figure 1-410



| ITEM | PART NUMBER | QTY | LINE | SERIES | BODY | ENGINE | TRANS | TRIM | DESCRIPTION |
|------|-------------|-----|------|--------|------|--------|-------|------|--------------------------------|
| 1 | | | | | | | | | WHEEL KIT, Cast Aluminum, 15x6 |
| | 82205581 | 1 | C | | 44 | | | | Polished |
| | 82205583 | 1 | C | | 44 | | | | Silver Painted |
| -2 | 05066122AA | 1 | C | | 44 | | | | CAP, Wheel Center |
| -3 | 06502738 | 20 | | | | | | | NUT, Wheel Chrome, M12x1.5 |
| 4 | | | | | | | | | WHEEL KIT, Cast Aluminum, 16x6 |
| | 82205582 | 1 | C | | 44 | | | | Polished |
| | 82205584 | 1 | C | | 44 | | | | Silver Painted |
| | 82205896 | 1 | C | | 44 | | | | Chromed |
| 5 | | | | | | | | | CAP, Wheel Center |
| | 05066118AA | 1 | C | | 44 | | | | Use with 82205582 |
| | 05066119AA | 1 | C | | 44 | | | | Use with 82205584 |
| | 05066120AA | 1 | C | | 44 | | | | Use with 82205896 |
| -6 | 06502738 | 20 | | | | | | | NUT, Wheel Chrome, M12x1.5 |

PT CRUISER (PT)

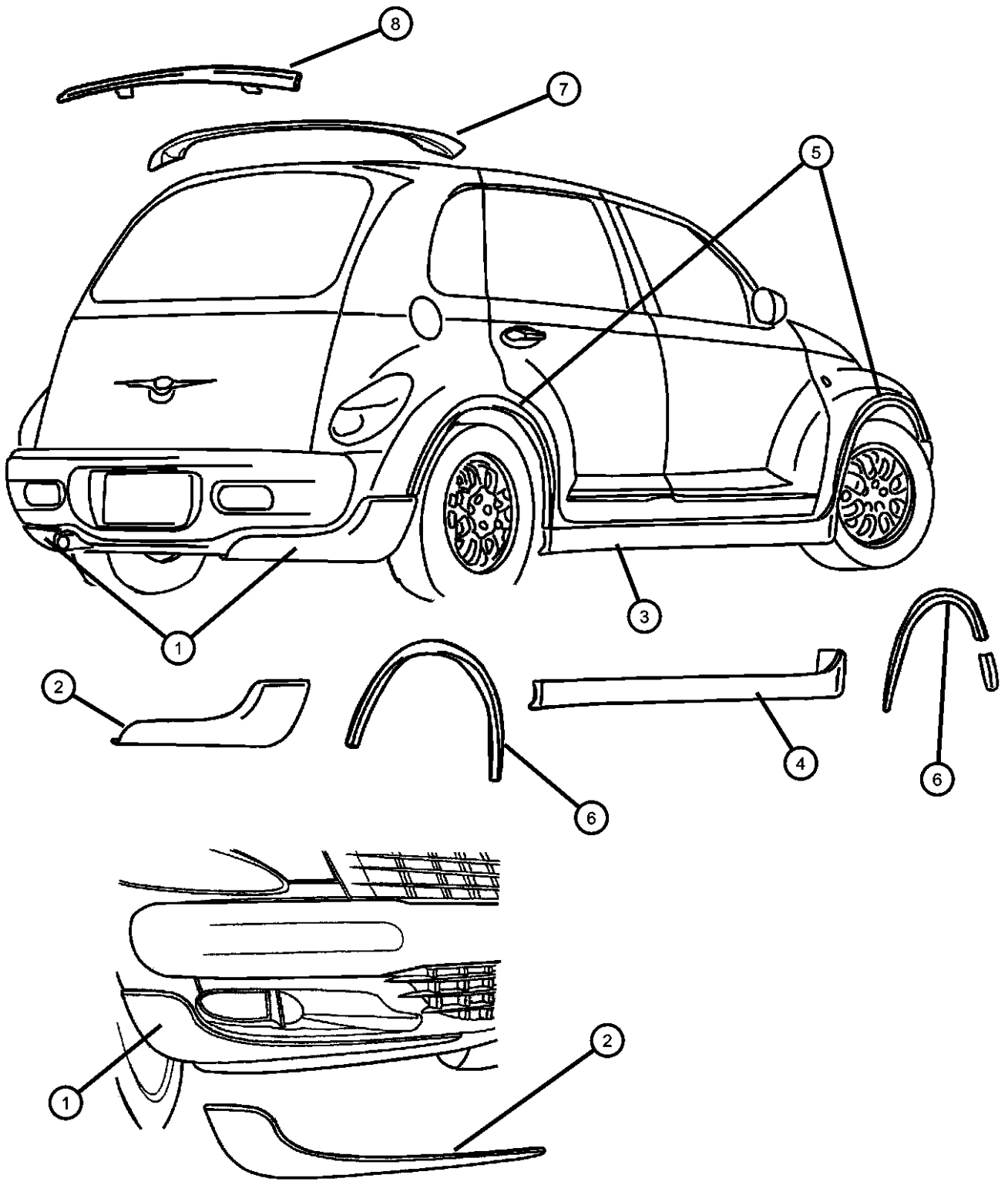
SERIES LINE
 H = HIGHLINE Z = CHRYSLER (RHD)
 C = CHRYSLER, LHD

BODY
 44 = Four Door

ENGINE TRANSMISSION
 ECC = ENGINE - 2.0L 4 CYL DOHC 16V SMPI
 EDZ = ENGINE - 2.4L 4 CYL DOHC 16V SMPI
 DGL = TRANSMISSION - 4-SPD. AUTOMATIC, 41TE
 DD5 = TRANSMISSION - 5-SPEED MANUAL
 DDO = All Manual Transmissions
 DGO = All Automatics

AR = use ase required - = Non illustrated part

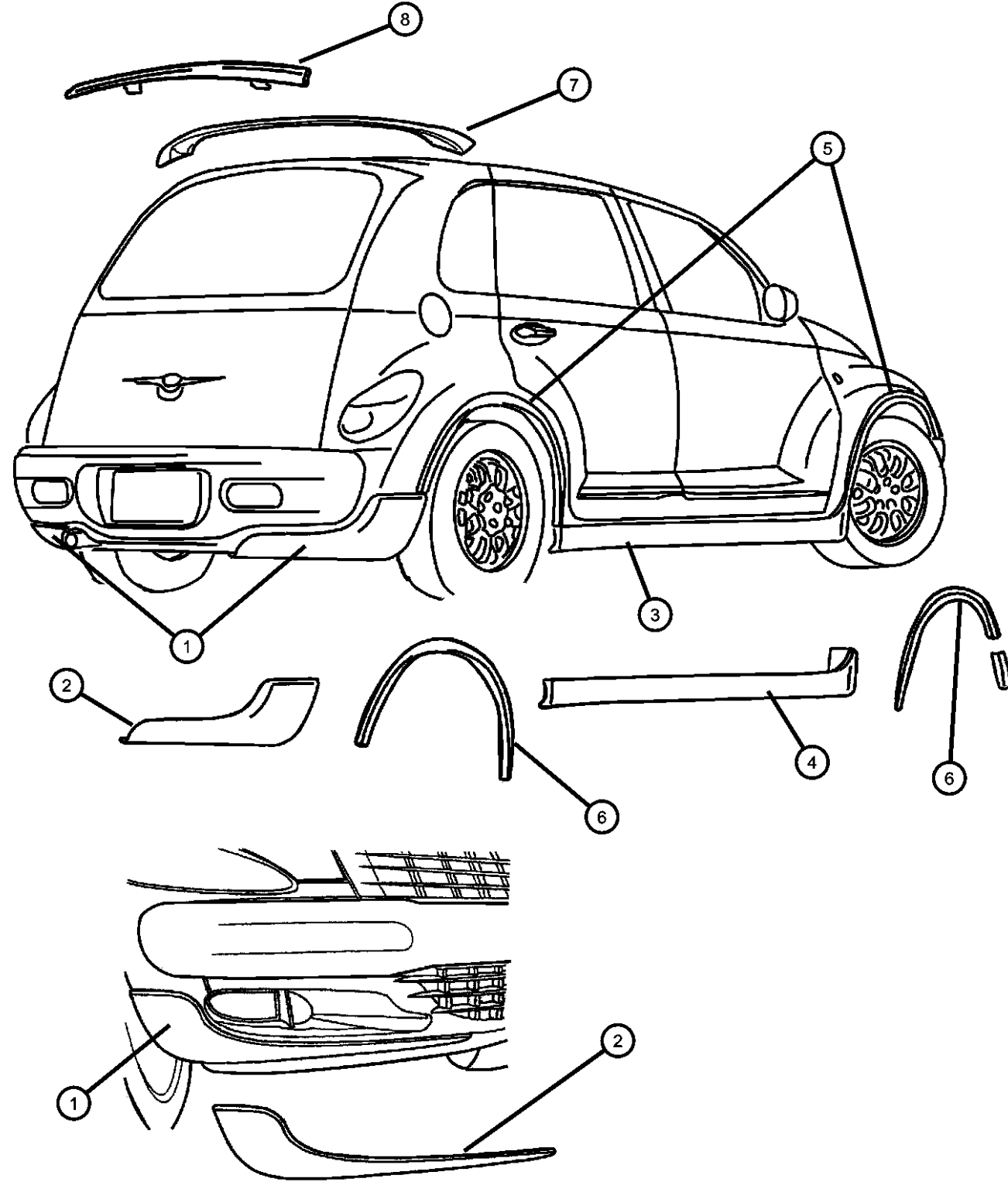
Ground Effects and Spoilers
Figure 1-420



| ITEM | PART NUMBER | QTY | LINE | SERIES | BODY | ENGINE | TRANS | TRIM | DESCRIPTION |
|---|-------------|-----|------|--------|------|--------|-------|------|--|
| NOTE: Ground Effects Package includes: Air Dam Lowerside and Wheel Lip Mouldings. | | | | | | | | | |
| 1 | | | | | | | | | FASCIA KIT, Air Dam, Front & Rear Complete |
| | 82205703 | 1 | C | | 44 | | | | Primed |
| | 82205730 | 1 | C | | 44 | | | | Bright Silver Metallic |
| | 82205731 | 1 | C | | 44 | | | | Inferno Red |
| | 82205732 | 1 | C | | 44 | | | | Black |
| 2 | | | | | | | | | FASCIA KIT, Air Dam |
| | 05066171AA | 1 | C | | 44 | | | | Rear |
| | 05066187AA | 1 | C | | 44 | | | | Front |
| 3 | | | | | | | | | MOLDING KIT, Lowerside, Left & Right Side Complete |
| | 82205705 | 1 | C | | 44 | | | | Primed |
| | 82205736 | 1 | C | | 44 | | | | Bright Silver Metallic |
| | 82205737 | 1 | C | | 44 | | | | Inferno Red |
| | 82205738 | 1 | C | | 44 | | | | Black |
| 4 | | | | | | | | | MOLDING, LOWERSIDE |
| | 05066188AA | 1 | C | | 44 | | | | Right |
| | 05066189AA | 1 | C | | 44 | | | | Left |
| 5 | | | | | | | | | MOLDING KIT, Wheel Lip Opening, Left & Right Side Complete |
| | 82205704 | 1 | C | | 44 | | | | Primed |
| | 82205733 | 1 | C | | 44 | | | | Bright Silver Metallic |
| | 82205734 | 1 | C | | 44 | | | | Inferno Red |
| | 82205735 | 1 | C | | 44 | | | | Black |
| 6 | | | | | | | | | MOLDING, Quarter Wheel Opening |
| | 05066172AA | 1 | C | | 44 | | | | Front and Rear, Right |
| | 05066173AA | 1 | C | | 44 | | | | Front and Rear, Left |
| 7 | | | | | | | | | SPOILER KIT, Tailgate - Rear |
| | 82205686 | 1 | C | | 44 | | | | Primed |
| | 82205687 | 1 | C | | 44 | | | | Black |
| | 82205688 | 1 | C | | 44 | | | | Stone White |
| | 82205689 | 1 | C | | 44 | | | | Taupe Frost |
| | 82205690 | 1 | C | | 44 | | | | Deep Cranberry |
| | 82205691 | 1 | C | | 44 | | | | Patriot Blue |
| | 82205692 | 1 | C | | 44 | | | | Inferno Red |

| | | | | |
|------------------------|---|----------------|--|--|
| PT CRUISER (PT) | | | | |
| SERIES | LINE | BODY | ENGINE | TRANSMISSION |
| H = HIGHLINE | Z = CHRYSLER (RHD) C = CHRYSLER, LHD | 44 = Four Door | ECC = ENGINE - 2.0L 4 CYL DOHC 16V SMPI EDZ = ENGINE - 2.4L 4 CYL DOHC 16V SMPI | DGL = TRANSMISSION - 4-SPD. AUTOMATIC, 41TE DD5 = TRANSMISSION - 5-SPEED MANUAL DDO = All Manual Transmissions DGO = All Automatics |

Ground Effects and Spoilers
Figure 1-420



| ITEM | PART NUMBER | QTY | LINE | SERIES | BODY | ENGINE | TRANS | TRIM | DESCRIPTION |
|------|-------------|-----|------|--------|------|--------|-------|------|--|
| | 82205693 | 1 | C | | 44 | | | | Bright Silver |
| | 82205694 | 1 | C | | 44 | | | | Shale Green |
| | 82205695 | 1 | C | | 44 | | | | Aquamarine |
| | 82205696 | 1 | C | | 44 | | | | Aztec Yellow |
| 8 | 82205332 | 1 | C | | 44 | | | | DEFLECTOR KIT, Air Window - Rear, Smoked Plexiglass, mounts with 4 Button Head Bolts |

PT CRUISER (PT)

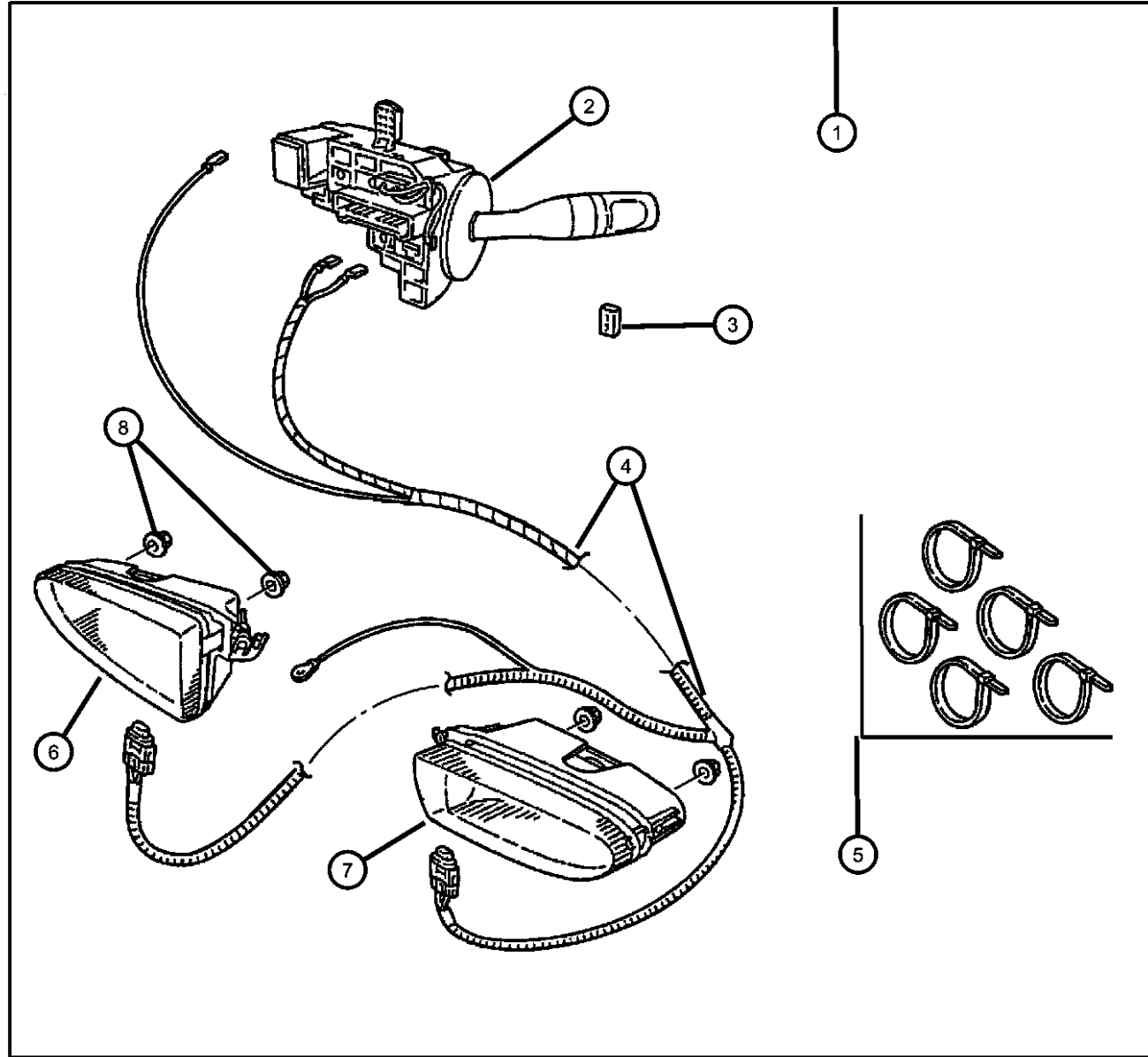
| | | | | |
|---------------|---|----------------|--|--|
| SERIES | LINE | BODY | ENGINE | TRANSMISSION |
| H = HIGHLINE | Z = CHRYSLER (RHD) C = CHRYSLER, LHD | 44 = Four Door | ECC = ENGINE - 2.0L 4 CYL DOHC 16V SMPI EDZ = ENGINE - 2.4L 4 CYL DOHC 16V SMPI | DGL = TRANSMISSION - 4-SPD. AUTOMATIC, 41TE DD5 = TRANSMISSION - 5-SPEED MANUAL DDO = All Manual Transmissions DGO = All Automatics |

AR = use ase required - = Non illustrated part

2001 PT

Fog Lamps
Figure 1-610

| ITEM | PART NUMBER | QTY | LINE | SERIES | BODY | ENGINE | TRANS | TRIM | DESCRIPTION |
|------|-------------|-----|------|--------|------|--------|-------|------|--------------------------------|
| 1 | 82205451 | 1 | | | | | | | LIGHT PACKAGE, Fog |
| 2 | 05016951AB | 1 | | | | | | | SWITCH, Multifunction |
| 3 | 000ATM15 | 1 | | | | | | | FUSE, Mini, 15 AMP, Light Blue |
| 4 | 82205895 | 1 | C | | 44 | | | | WIRING, Fog Lamp |
| 5 | K6015756 | 1 | | | | | | | STRAP, Tie |
| 6 | 05288796AC | 1 | | | | | | | LAMP, FogRight |
| 7 | 05288797AC | 1 | | | | | | | LAMP, FogLeft |
| 8 | 06504030 | 4 | | | | | | | NUT AND WASHER, Hex, M6x1 |



PT CRUISER (PT)

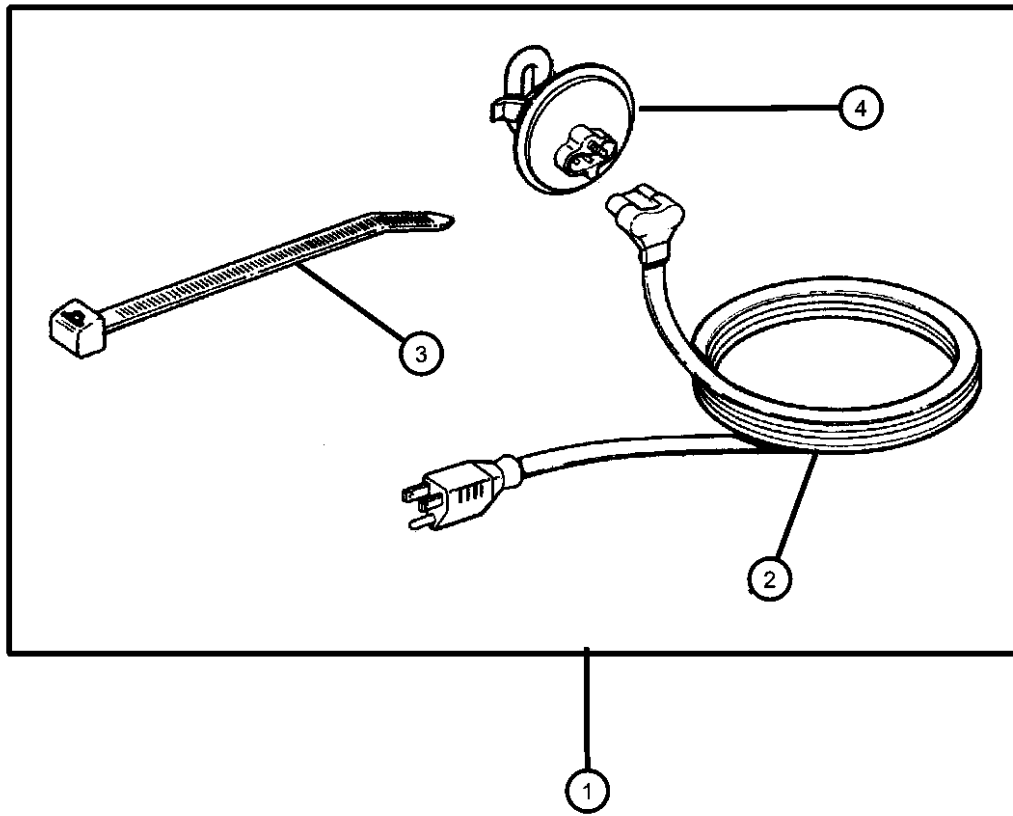
| | | | | |
|--------------|---|----------------|--|--|
| SERIES | LINE | BODY | ENGINE | TRANSMISSION |
| H = HIGHLINE | Z = CHRYSLER (RHD) C = CHRYSLER, LHD | 44 = Four Door | ECC = ENGINE - 2.0L 4 CYL DOHC 16V SMPI EDZ = ENGINE - 2.4L 4 CYL DOHC 16V SMPI | DGL = TRANSMISSION - 4-SPD. AUTOMATIC, 41TE DD5 = TRANSMISSION - 5-SPEED MANUAL DDO = All Manual Transmissions DGO = All Automatics |

AR = use ase required - = Non illustrated part

2001 PT

Heater Kit
Figure 1-620

| ITEM | PART NUMBER | QTY | LINE | SERIES | BODY | ENGINE | TRANS | TRIM | DESCRIPTION |
|------|-------------|-----|------|--------|------|--------|-------|------|---------------------------|
| 1 | 82202500 | 1 | C | | 44 | | | | HEATER KIT, Engine Block |
| 2 | 04671029 | 1 | C | | 44 | | | | CORD, Engine Block Heater |
| 3 | 04641780 | 1 | C | | | | | | STRAP, Tie |
| 4 | 04557686 | 1 | C | | 44 | | | | HEATER, Engine Block |



PT CRUISER (PT)

| | | | | |
|--------------|---|----------------|--|--|
| SERIES | LINE | BODY | ENGINE | TRANSMISSION |
| H = HIGHLINE | Z = CHRYSLER (RHD) C = CHRYSLER, LHD | 44 = Four Door | ECC = ENGINE - 2.0L 4 CYL DOHC 16V SMPI EDZ = ENGINE - 2.4L 4 CYL DOHC 16V SMPI | DGL = TRANSMISSION - 4-SPD. AUTOMATIC, 41TE DD5 = TRANSMISSION - 5-SPEED MANUAL DDO = All Manual Transmissions DGO = All Automatics |

AR = use ase required - = Non illustrated part

2001 PT

Group - 2

Front Suspension & Drive

Group - 2 Front Suspension & Drive

Illustration Title

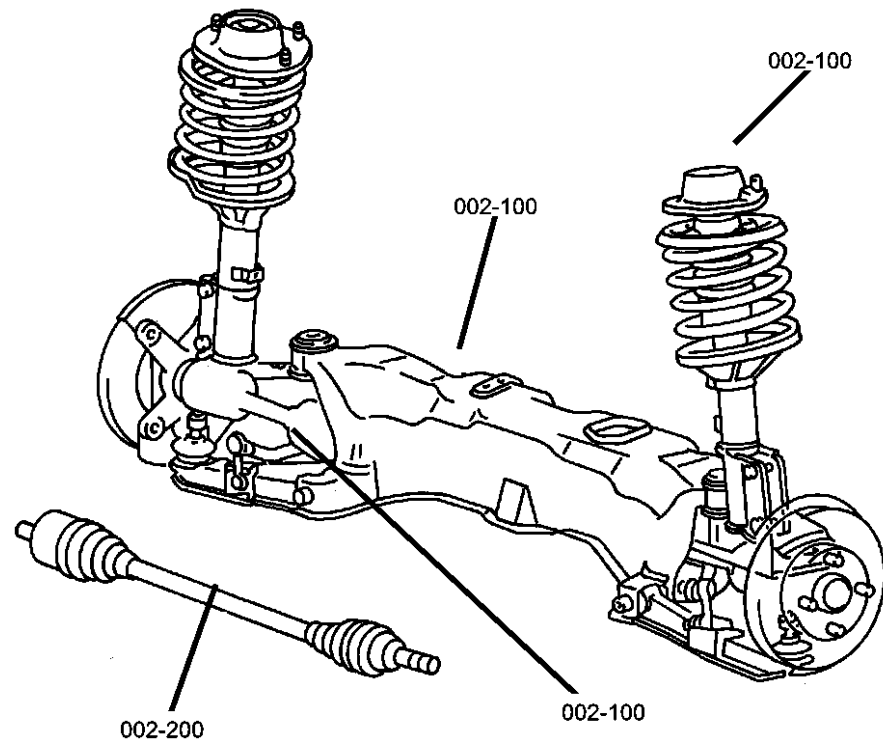
Group-Fig. No.

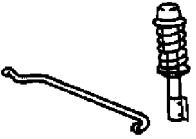

Front Suspension

Suspension, Front..... Fig. 2 - 105

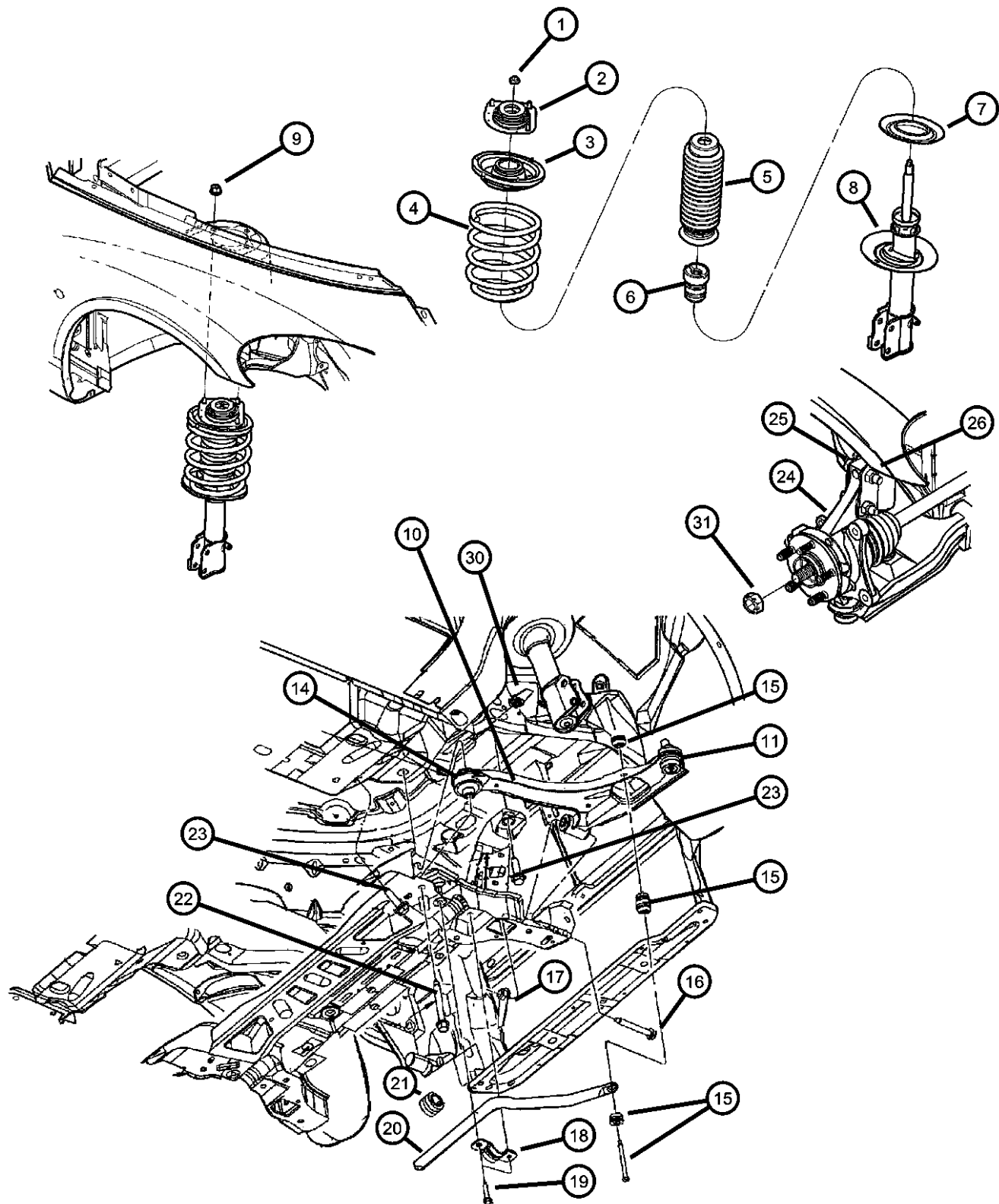
Front Axle Drive Shafts

Shaft, Front Drive Fig. 2 - 205



| | | | |
|--|---|--|--|
| <p>002-100 Front Suspension</p>  | <p>002-200 Front Axle Drive Shafts</p>  | | |
|--|---|--|--|

Suspension, Front
Figure 2-105



| ITEM | PART NUMBER | QTY | LINE | SERIES | BODY | ENGINE | TRANS | TRIM | DESCRIPTION |
|------|-------------|-----|------|--------|------|--------|-------|------|-------------|
|------|-------------|-----|------|--------|------|--------|-------|------|-------------|

NOTE: Sales Codes
 DD5=5 Speed Manual Transmission
 DGL=4 Speed Automatic Transmission
 SDA= Standard Suspension
 SDC= Firm Feel Suspension
 SDF= European Homologation Suspension
 ZCC thru ZRJ= Spring Group Type's Found on Individual Vehical Sale's Code Listing

| | | | | | | | | | |
|-----|------------|---|--|--|--|--|--|--|--|
| 1 | 06505116AA | 2 | | | | | | | NUT, M14X2, Strut to Strut Rod |
| 2 | 05272226 | 2 | | | | | | | MOUNT, StrutUpper |
| 3 | 05272227 | 2 | | | | | | | SEAT AND BEARING, Suspension Strut, Spring Seat, Upper |
| 4 | | | | | | | | | SPRING, Front Suspension Coil |
| | 04656523AA | 1 | | | | | | | w/SDA,SDC,SDF (ZCC,ZRC) |
| | 04656524AA | 1 | | | | | | | w/SDA,SDC,SDF (ZCD,ZRD) |
| | 04656525AA | 1 | | | | | | | w/SDA,SDC,SDF (ZCE,ZRE) |
| | 04656526AA | 1 | | | | | | | w/SDA,SDC,SDF (ZCF,ZRF) |
| | 04656527AA | 1 | | | | | | | w/SDA,SDC,SDF (ZCG,ZRG) |
| | 04656528AA | 1 | | | | | | | w/SDA,SDC,SDF (ZCH,ZRH) |
| | 04656529AA | 1 | | | | | | | w/SDA,SDC,SDF (ZCJ,ZRJ) |
| 5 | 04656943AB | 2 | | | | | | | SHIELD, Strut, (Dust) |
| 6 | 05272223AC | 2 | | | | | | | BUMPER, Jounce, (Front) |
| 7 | 04656083 | 2 | | | | | | | ISOLATOR, SpringLower |
| 8 | | | | | | | | | DAMPER, Strut |
| | 04656449AB | 2 | | | | | | | w/SDC |
| | 04656459AB | 2 | | | | | | | w/SDF |
| | 04656697AB | 2 | | | | | | | w/SDA |
| 9 | 06102167AA | 2 | | | | | | | NUT AND WASHER, Hex/Cone M8x1.25 |
| 10 | | | | | | | | | ARM, Control |
| | 04656730AD | 1 | | | | | | | Right |
| | 04656731AD | 1 | | | | | | | Left |
| 11 | 04656010 | 1 | | | | | | | BALL JOINT, Lower Control Arm, Less Seal Boot |
| -12 | 04694745 | 1 | | | | | | | FITTING, Ball Joint, Zirc |
| -13 | 04656464AA | 1 | | | | | | | SEAL, Ball Joint |
| 14 | 04656012AC | 1 | | | | | | | BUSHING, Control Arm |
| 15 | 05272324AB | 2 | | | | | | | LINK, Sway Eliminator |

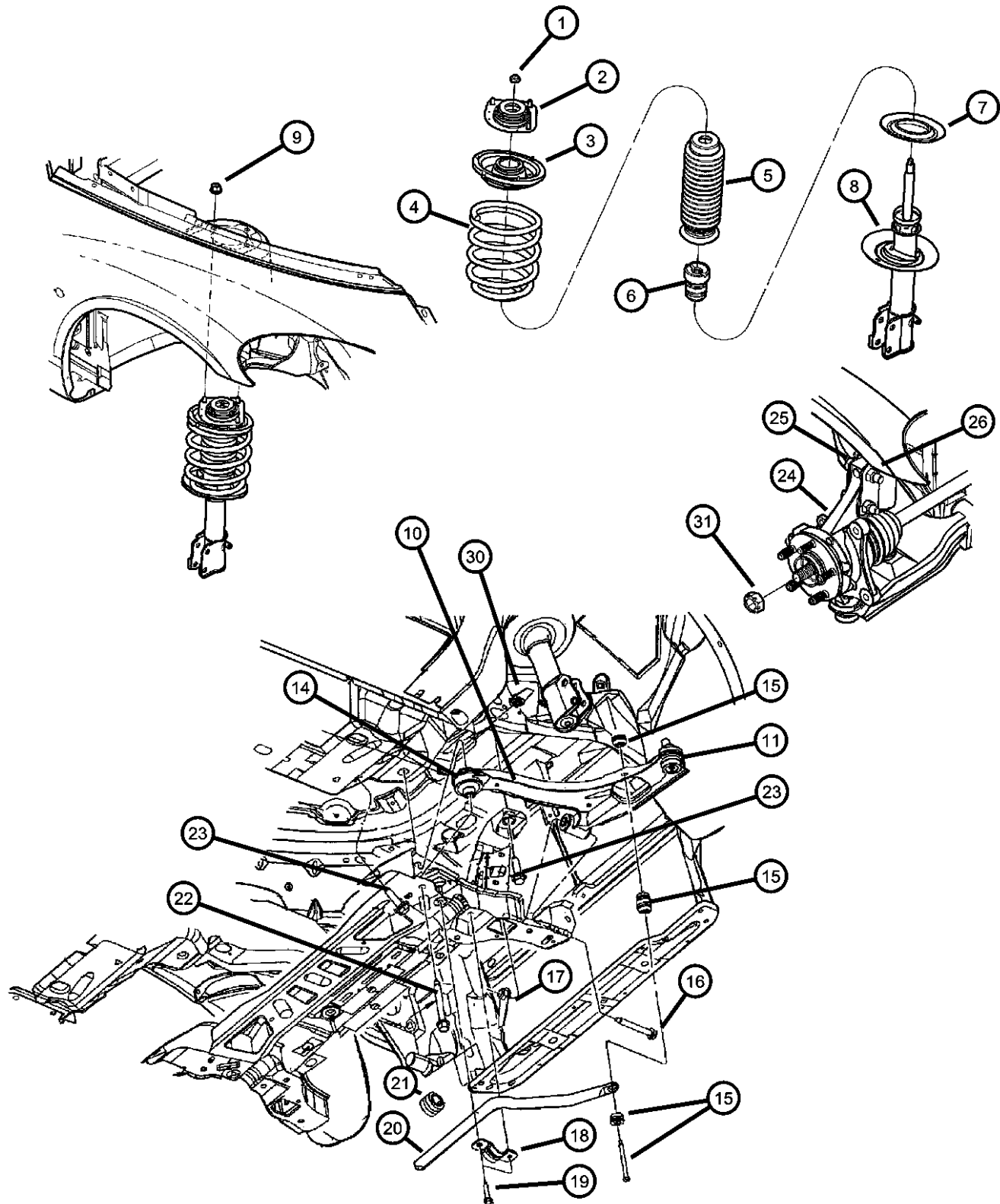
PT CRUISER (PT)

| SERIES | LINE | BODY | ENGINE | TRANSMISSION |
|--------------|---|----------------|--|--|
| H = HIGHLINE | Z = CHRYSLER (RHD) C = CHRYSLER, LHD | 44 = Four Door | ECC = ENGINE - 2.0L 4 CYL DOHC 16V SMPI EDZ = ENGINE - 2.4L 4 CYL DOHC 16V SMPI | DGL = TRANSMISSION - 4-SPD. AUTOMATIC, 41TE DD5 = TRANSMISSION - 5-SPEED MANUAL DDO = All Manual Transmissions DGO = All Automatics |

AR = use ase required - = Non illustrated part

2001 PT

Suspension, Front
Figure 2-105



| ITEM | PART NUMBER | QTY | LINE | SERIES | BODY | ENGINE | TRANS | TRIM | DESCRIPTION |
|------|-------------|-----|------|--------|------|--------|-------|------|--|
| 16 | 06504742 | 2 | | | | | | | SCREW AND WASHER, Hex Head, M14 x 2 x 115.0 |
| 17 | 06505595AA | 2 | | | | | | | NUT, M14X2, and Retainer |
| 18 | 04656513AA | 2 | | | | | | | CLAMP, Stabilizer Bar |
| 19 | 06505622AA | 5 | | | | | | | SCREW, Hex Head, and Washer Cone Pilot Pt M8x1.25x33.00 |
| 20 | | | | | | | | | BAR, Front Sway |
| | 04656102 | 1 | | | | | | | (SDC) |
| | 04656856AA | 1 | | | | | | | (SDF) |
| 21 | | | | | | | | | CUSHION, Sway Eliminator |
| | 04656597AA | 2 | | | | | | | w/SDC |
| | 04656945AA | 2 | | | | | | | w/SDA,SDF |
| 22 | 06506039AA | 2 | | | | | | | SCREW, Hex Head, and Washer Hex Hd Cone Wash M16x2.00x130.0 |
| 23 | 06506038AA | 2 | | | | | | | SCREW, Hex Head, and Washer Hex Hd Cone Washer M14x2.00x60.00 |
| 24 | | | | | | | | | KNUCKLE, Front |
| | 04656366AC | 1 | | | | | DD5 | | Right |
| | 04656367AC | 1 | | | | | DD5 | | Left |
| | 04656756AB | 1 | | | | | DGL | | Right |
| | 04656757AB | 1 | | | | | DGL | | Left |
| 25 | 06505525AA | 4 | | | | | | | SCREW, M14x2.00x70.00 |
| 26 | 06505232AA | 4 | | | | | | | NUT, M14x2.00 |
| -27 | 05019074AA | 2 | | | | | | | BOLT PACKAGE, Camber Adjustment |
| -28 | 06501248 | 2 | | | | | | | BOLT, Hex Flange Head, M12x1.75x57, Strg Ball Joint St Front Knuckle |
| -29 | 06501247 | 1 | | | | | | | NUT, M12x1.75, Knuckle to LCA |
| 30 | 06505595AA | 2 | | | | | | | NUT, M14X2, and Retainer |
| 31 | 06505595AA | 2 | | | | | | | NUT, Frt Wheel Hum (See Group 5 Front Brakes), (NOT SERVICED) |

PT CRUISER (PT)

SERIES LINE
H = HIGHLINE Z = CHRYSLER (RHD)
C = CHRYSLER, LHD

BODY
44 = Four Door

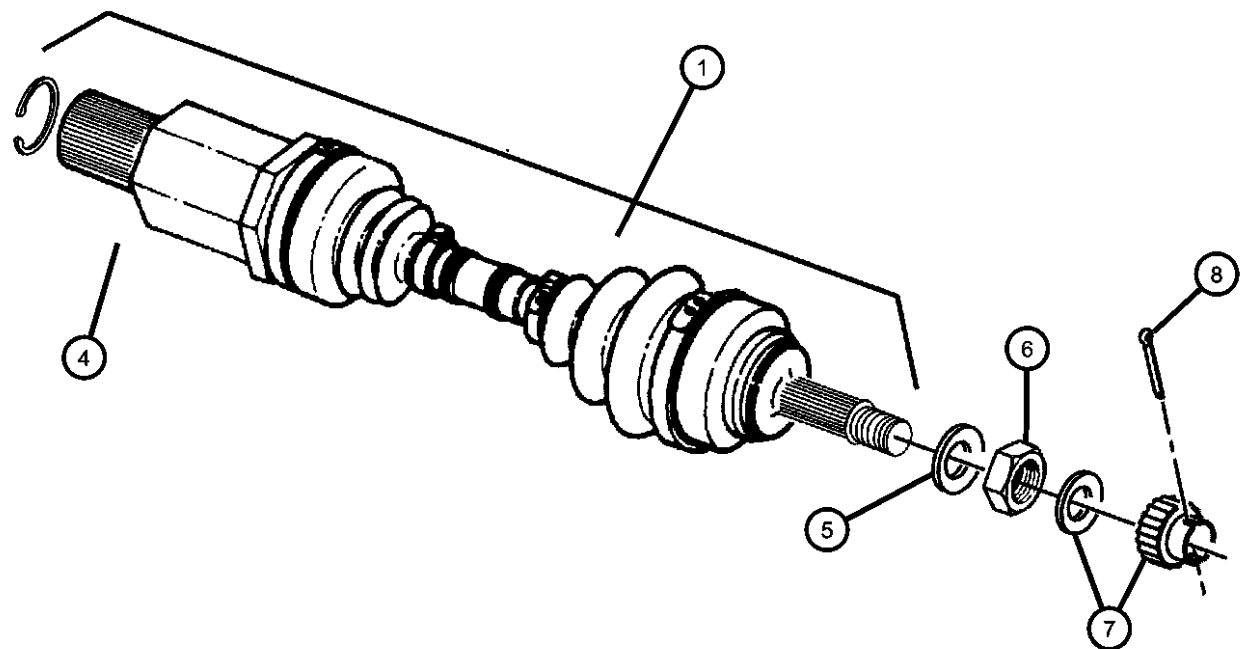
ENGINE
ECC = ENGINE - 2.0L 4 CYL DOHC 16V SMPI
EDZ = ENGINE - 2.4L 4 CYL DOHC 16V SMPI

TRANSMISSION
DGL = TRANSMISSION - 4-SPD. AUTOMATIC, 41TE
DD5 = TRANSMISSION - 5-SPEED MANUAL
DDO = All Manual Transmissions
DGO = All Automatics

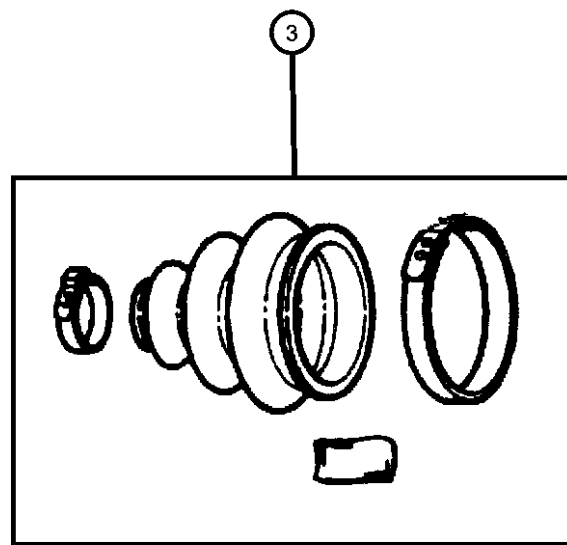
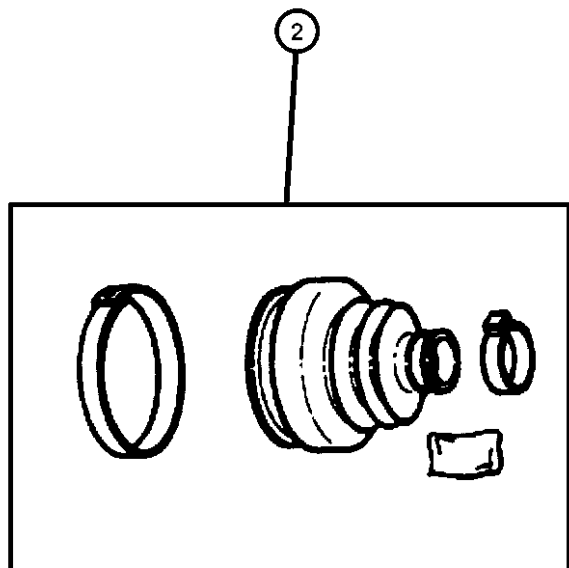
AR = use ase required - = Non illustrated part

2001 PT

Shaft, Front Drive
Figure 2-205



| ITEM | PART NUMBER | QTY | LINE | SERIES | BODY | ENGINE | TRANS | TRIM | DESCRIPTION |
|------|-------------|-----|------|--------|------|--------|-------|------|--------------------------------------|
| 1 | 04668420AB | 1 | | | | | | | SHAFT, Axle Half Right |
| | 04668421AB | 1 | | | | | | | Left |
| 2 | 05018064AA | 1 | | | | | | | BOOT KIT, Half Shaft, Inner Right |
| | 05018065AA | 1 | | | | | | | Left |
| 3 | 05018063AA | 2 | | | | | | | BOOT KIT, Half Shaft, Outer |
| 4 | 05018066AA | 2 | | | | | | | CIRCLIP, Half Shaft |
| 5 | 06503352 | 2 | | | | | | | WASHER, Flat, M23x38.0x405 |
| 6 | 06503685 | 2 | | | | | | | NUT |
| 7 | 04293167 | 2 | | | | | | | NUT AND WASHER PACKAGE, Front Hub |
| 8 | 06500336 | 2 | | | | | | | PIN, Cotter, M5x36.00 |



PT CRUISER (PT)

| | | | | |
|--------------|---|----------------|--|--|
| SERIES | LINE | BODY | ENGINE | TRANSMISSION |
| H = HIGHLINE | Z = CHRYSLER (RHD) C = CHRYSLER, LHD | 44 = Four Door | ECC = ENGINE - 2.0L 4 CYL DOHC 16V SMPI EDZ = ENGINE - 2.4L 4 CYL DOHC 16V SMPI | DGL = TRANSMISSION - 4-SPD. AUTOMATIC, 41TE DD5 = TRANSMISSION - 5-SPEED MANUAL DDO = All Manual Transmissions DGO = All Automatics |

AR = use ase required - = Non illustrated part

2001 PT

Group - 4

Parking Brake

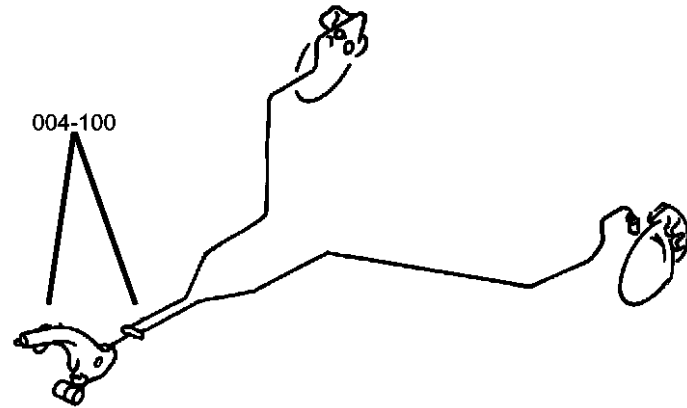
Group - 4 Parking Brake

Group-Fig. No.

Illustration Title

Parking Brake Lever and Cables

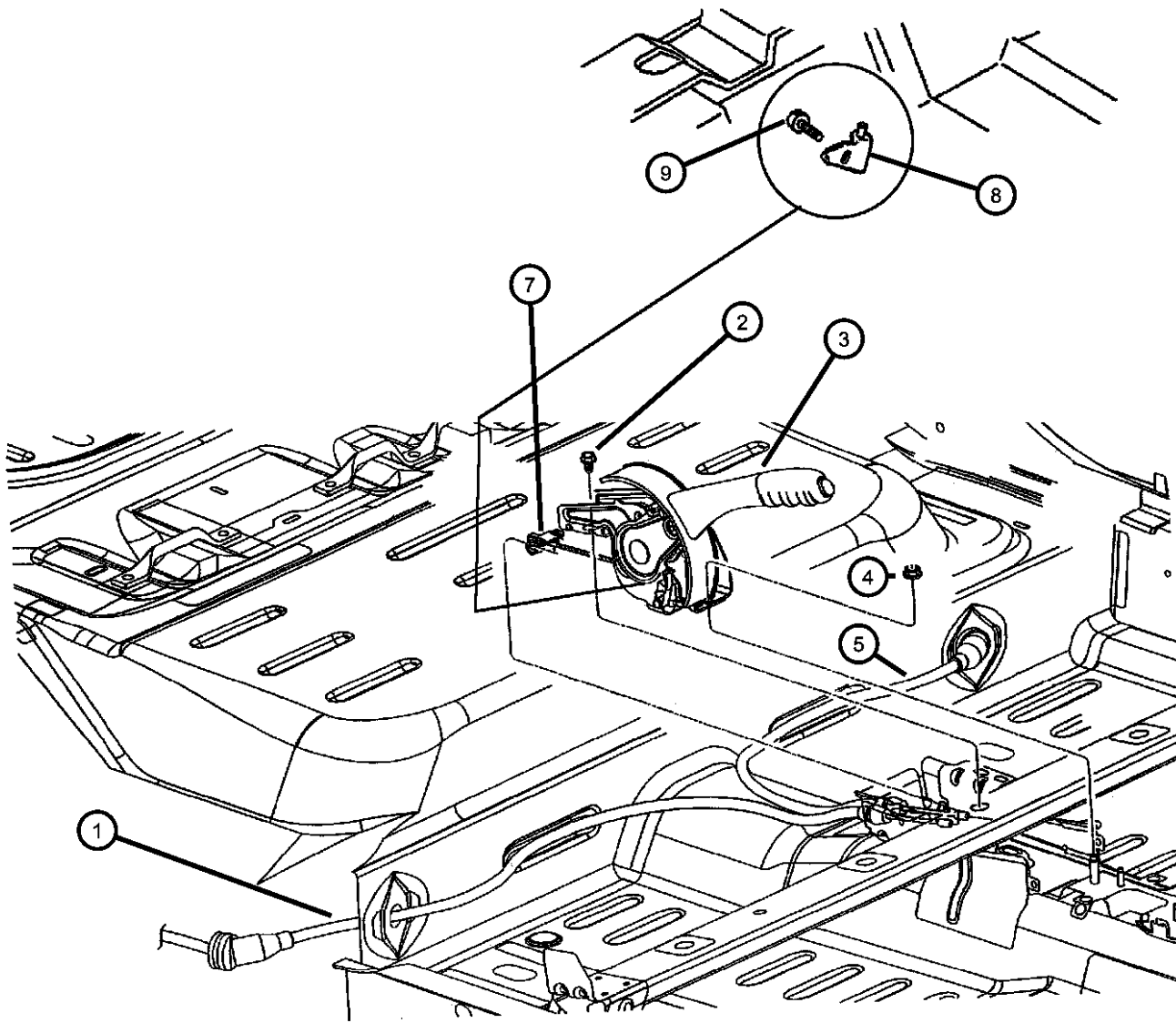
Lever and Cables Fig. 4 - 105



004-100
Parking Brake Lever and Cables



Lever and Cables
Figure 4-105



| ITEM | PART NUMBER | QTY | LINE | SERIES | BODY | ENGINE | TRANS | TRIM | DESCRIPTION |
|------|-------------|-----|------|--------|------|--------|-------|------|--|
| 1 | 04860076AC | 1 | | | | | | | CABLE, Parking Brake (Drum), Right |
| | 04860078AC | 1 | | | | | | | (Disc), Right |
| 2 | 06503543 | 1 | | | | | | | BOLT AND CONED WASHER, Hex Head, M8x1.25x25, Park Brake Lever Att |
| 3 | 04860003AC | 1 | | | | | | | LEVER, Park Brake |
| 4 | 06505669AA | 1 | | | | | | | NUT, Hex Flange, M8x1.25, Park Brake Lever |
| 5 | 04860077AC | 1 | | | | | | | CABLE, Parking Brake (Drum), Left |
| | 04860079AD | 1 | | | | | | | (Disc), Left |
| -6 | 04860079AD | 1 | | | | | | | CLIP, [Service with Cable], (NOT SERVICED), EQUALIZER AND CLIP, Parking Brake Cable, Park Brake Cable (Service in Lever), (NOT SERVICED) |
| 7 | 04860079AD | 1 | | | | | | | |
| 8 | 05209922 | 1 | | | | | | | SWITCH, Parking Brake |
| 9 | 06101949 | 1 | | | | | | | SCREW, Park Brake Switch, Tap/Hex Fig Hd Light Sw to Park Brake Lever Mount |

PT CRUISER (PT)

| | | | | |
|--------------|---|----------------|--|--|
| SERIES | LINE | BODY | ENGINE | TRANSMISSION |
| H = HIGHLINE | Z = CHRYSLER (RHD) C = CHRYSLER, LHD | 44 = Four Door | ECC = ENGINE - 2.0L 4 CYL DOHC 16V SMPI EDZ = ENGINE - 2.4L 4 CYL DOHC 16V SMPI | DGL = TRANSMISSION - 4-SPD. AUTOMATIC, 41TE DD5 = TRANSMISSION - 5-SPEED MANUAL DDO = All Manual Transmissions DGO = All Automatics |

AR = use ase required - = Non illustrated part

2001 PT

Group - 5

Service Brakes

Group - 5 Service Brakes

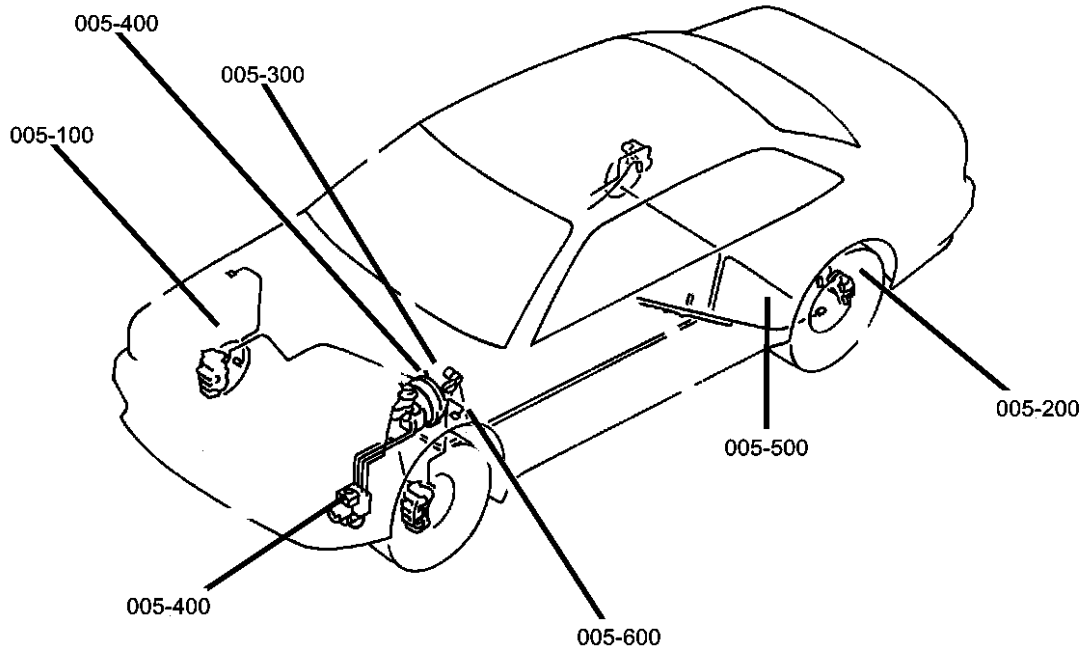


Illustration Title

Group-Fig. No.

Front Brakes

Brakes, Front Fig. 5 - 105

Rear Brakes

Brakes, Rear Drum..... Fig. 5 - 205

Brakes, Rear Disc..... Fig. 5 - 207

Power Brake Booster

Booster, Power Brake..... Fig. 5 - 305

Brake Master Cylinder

Master Cylinder..... Fig. 5 - 405

Anti-Lock Brake Control Fig. 5 - 410

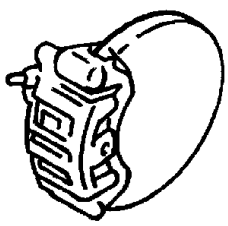
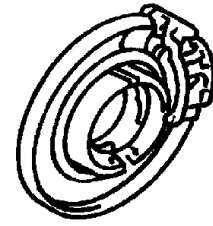
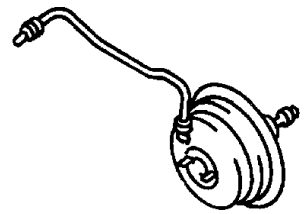
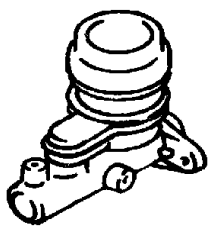
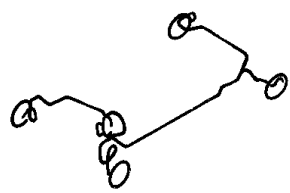
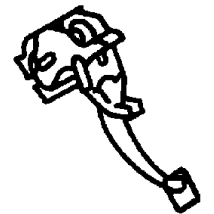
Brake Lines and Hoses

Lines and Hoses, Brake without Anti-Lock Brakes Fig. 5 - 505

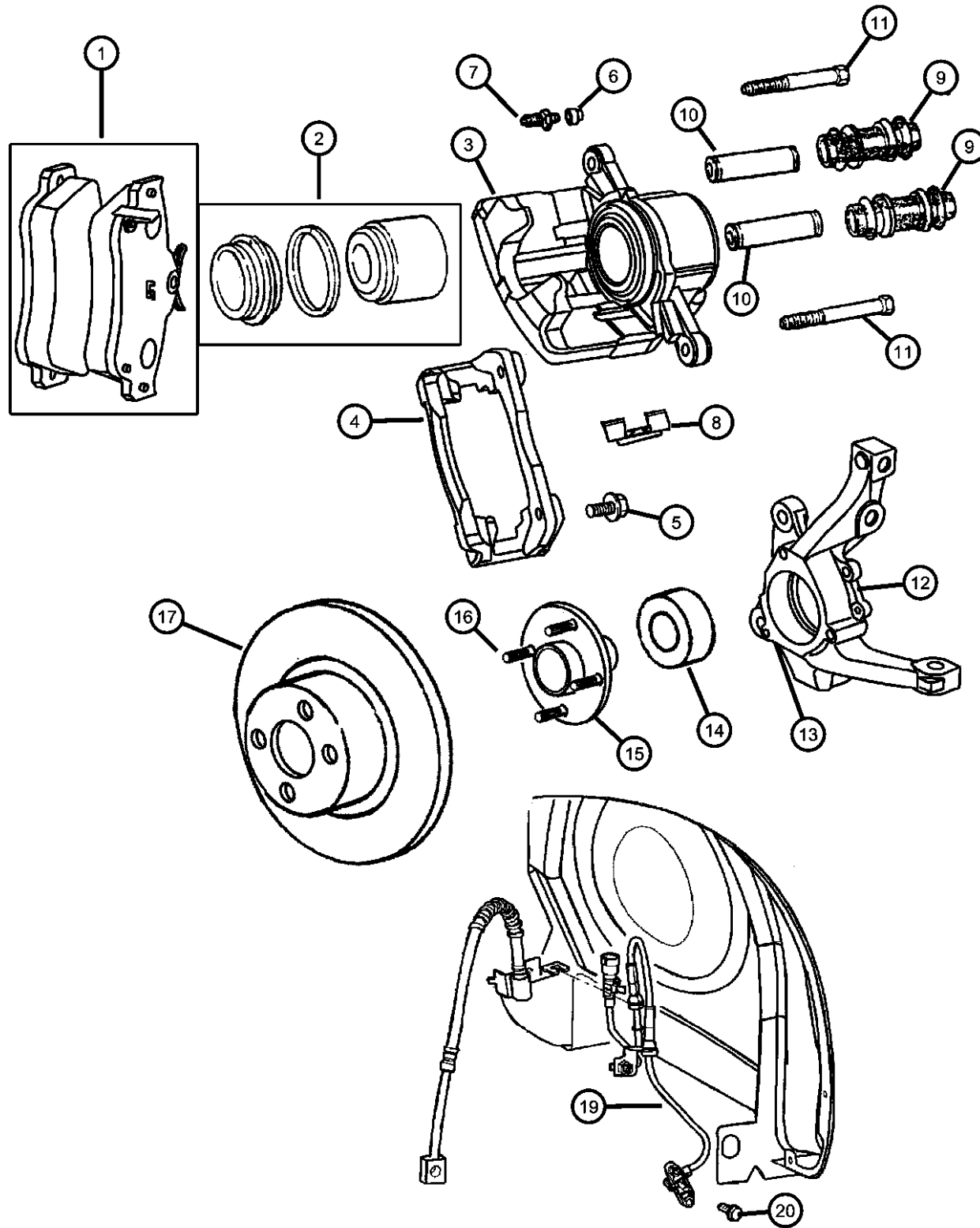
Lines and Hoses, Brake with Anti-lock Brakes..... Fig. 5 - 545

Brake Pedals

Pedal, Brake..... Fig. 5 - 605

| | | | |
|--|--|--|---|
| <p>005-100 Front Brakes</p>  | <p>005-200 Rear Brakes</p>  | <p>005-300 Power Brake Booster</p>  | <p>005-400 Brake Master Cylinder</p>  |
| <p>005-500 Brake Lines and Hoses</p>  | <p>005-600 Brake Pedals</p>  | | |

Brakes, Front
Figure 5-105



| ITEM | PART NUMBER | QTY | LINE | SERIES | BODY | ENGINE | TRANS | TRIM | DESCRIPTION |
|------|-------------|-----|------|--------|------|--------|-------|------|-------------|
|------|-------------|-----|------|--------|------|--------|-------|------|-------------|

DD5=TRANSMISSION 5-SPEED MANUAL
DGL=TRANSMISSION 4-SPEED AUTOMATIC 41TE

| | | | | | | | | | |
|----|------------|---|--|--|--|--|--|--|--|
| 1 | 05017843AA | 1 | | | | | | | PAD KIT, Front Disc Brake |
| | VPTBRB43 | | | | | | | | Make It New Brake Kits |
| | BHKH5662 | | | | | | | | Mopar V-Line Alternative Part |
| | BHKH5060 | | | | | | | | Disc Hardware |
| | V1013843AB | | | | | | | | Mopar V-Line Alternative Part |
| | V3010841 | | | | | | | | Caliper Bolts |
| 2 | 05017842AA | 1 | | | | | | | Mopar V-Line Alternative Part |
| | | | | | | | | | Ceramic |
| 3 | 05017832AA | 1 | | | | | | | PISTON KIT, Front Brake, Piston, Boot, Seal |
| | VK783233AA | | | | | | | | CALIPER, Disc Brake |
| | 05017833AA | 1 | | | | | | | Complete Caliper, Less Pads, Right |
| | VK783233AA | | | | | | | | Mopar Loaded Brake Caliper Kit (2 Calipers, Brake Friction) |
| | VK783233AA | 1 | | | | | | | Complete Caliper, Less Pads, Left |
| | VK783233AA | | | | | | | | Mopar Loaded Brake Caliper Kit (2 Calipers, Brake Friction) |
| 4 | 05017840AA | 1 | | | | | | | BRACKET, Brake Caliper |
| | 05017841AA | 1 | | | | | | | Right |
| | 05017841AA | 1 | | | | | | | Left |
| 5 | 06505833AA | 4 | | | | | | | BOLT, Hex Flange Head, Caliper Adapter to Knuckle |
| 6 | 06505833AA | 4 | | | | | | | CAP, Bleeder, [Service with the Bleeder Screw], (NOT SERVICED) |
| 7 | 05017844AA | 1 | | | | | | | BLEEDER SCREW, Brake, w/Cap |
| 8 | 05017857AA | 1 | | | | | | | SHIM KIT, Brake |
| 9 | 05017857AA | 1 | | | | | | | BUSHING, Disc Brake Caliper, [Service in Bolt Kit], (NOT SERVICED) |
| 10 | 05017857AA | 1 | | | | | | | SLEEVE, Disc Brake Caliper, [Service in Bolt Kit], (NOT SERVICED) |
| 11 | 05017845AA | 1 | | | | | | | BOLT KIT, Disc brake, w/Bushing, Sleeve |
| 12 | | | | | | | | | KNUCKLE, Front |
| | 04656366AB | 1 | | | | | | | [DD5], Right |
| | 04656367AB | 1 | | | | | | | [DD5], Left |

PT CRUISER (PT)

SERIES LINE
H = HIGHLINE Z = CHRYSLER (RHD)
C = CHRYSLER, LHD

BODY
44 = Four Door

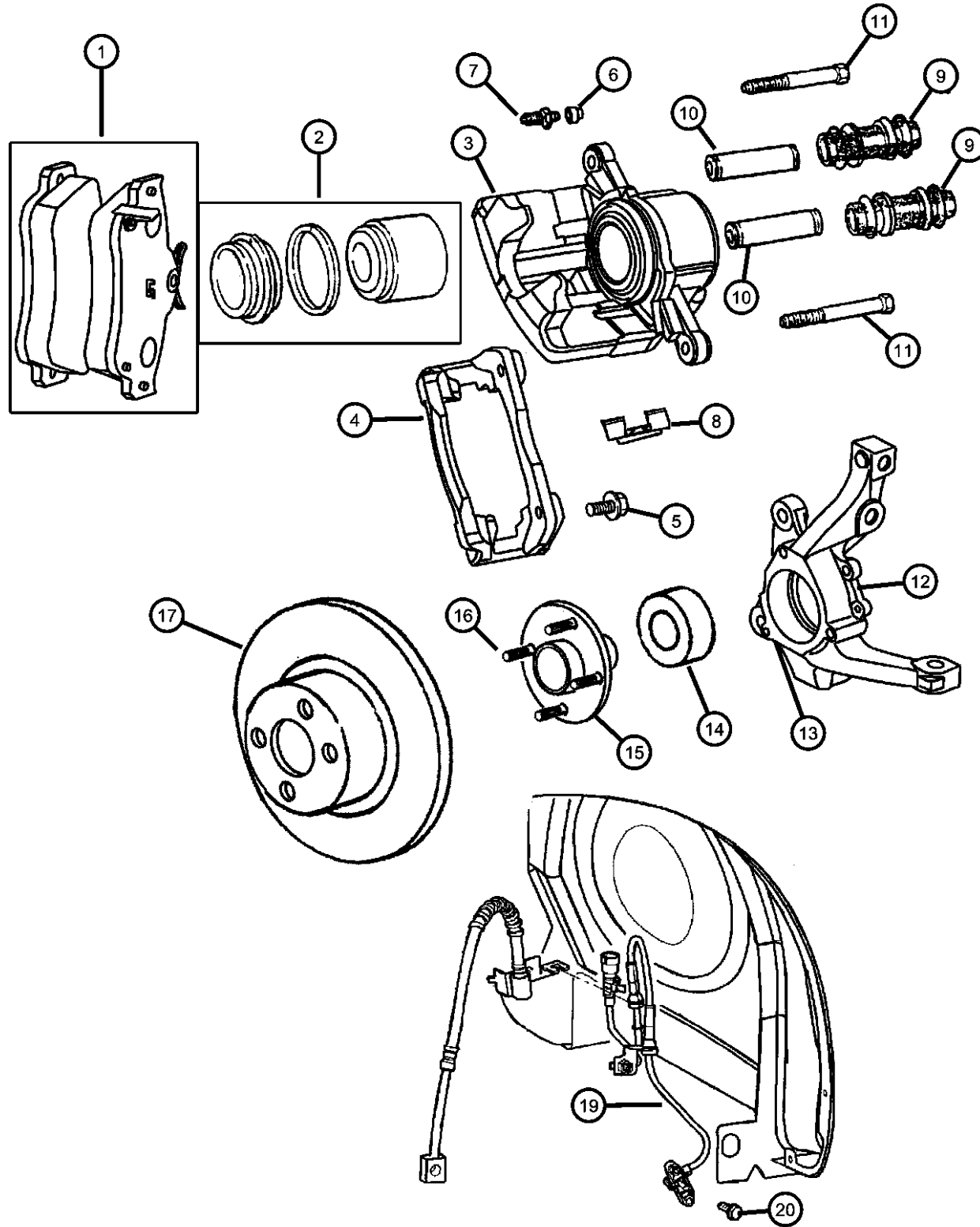
ENGINE
ECC = ENGINE - 2.0L 4 CYL DOHC 16V SMPI
EDZ = ENGINE - 2.4L 4 CYL DOHC 16V SMPI

TRANSMISSION
DGL = TRANSMISSION - 4-SPD. AUTOMATIC, 41TE
DD5 = TRANSMISSION - 5-SPEED MANUAL
DDO = All Manual Transmissions
DGO = All Automatics

AR = use ase required - = Non illustrated part

2001 PT

Brakes, Front
Figure 5-105



| ITEM | PART NUMBER | QTY | LINE | SERIES | BODY | ENGINE | TRANS | TRIM | DESCRIPTION |
|------|------------------------|--------|------|--------|------|--------|-------|------|--|
| | 04656756AA | 1 | | | | | | | [DGL], Right |
| | 04656757AA | 1 | | | | | | | [DGL], Left |
| 13 | 04668361AB | 1 | | | | | | | RETAINER, Front Wheel Drive Hub Bearing |
| 14 | 04668442AA | 1 | | | | | | | BEARING, Wheel |
| 15 | 04670292AC | 1 | | | | | | | [DGL] [DD5] HUB, Wheel |
| 16 | 06506730AA | 5 | | | | | | | STUD |
| 17 | 04509994AA V5019994 | 2 | | | | | | | ROTOR, Brake Mopar V-Line Alternative Brake Rotors |
| -18 | 04509994AA | 2 | | | | | | | NUT, Retainer Front Rotor [For M12 Stud], (NOT SERVICED) |
| 19 | 05273332 05273333 | 1 1 | | | | | | | SENSOR, Anti-Lock Brakes Right Left |
| 20 | 34201686 | 2 | | | | | | | BOLT, Hex Flange Head, M12x1.18x35, ABS Sensor Int Att Front |

PT CRUISER (PT)

SERIES LINE
H = HIGHLINE Z = CHRYSLER (RHD)
C = CHRYSLER, LHD

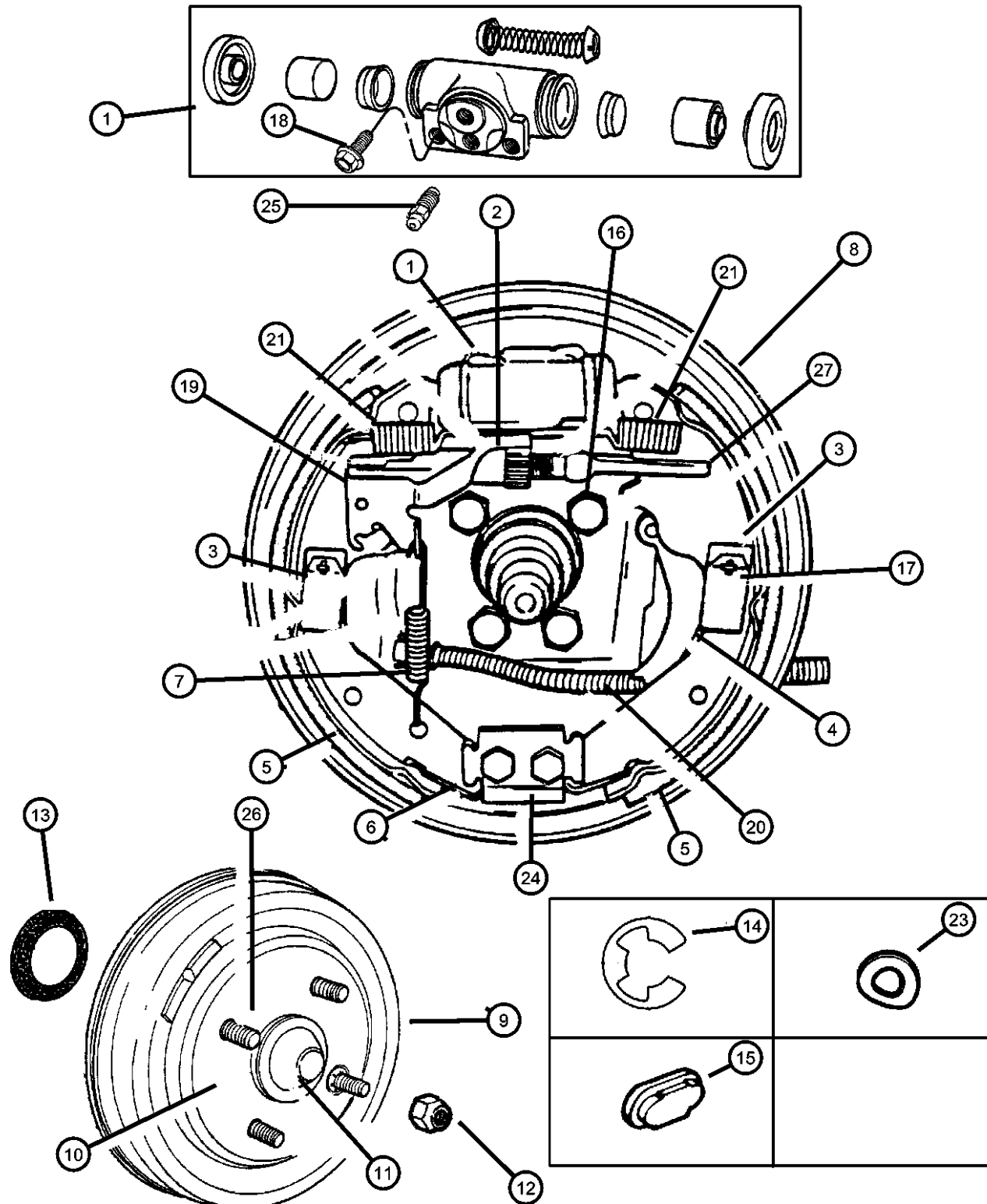
BODY
44 = Four Door

ENGINE TRANSMISSION
ECC = ENGINE - 2.0L 4 CYL DOHC 16V SMPI DGL = TRANSMISSION - 4-SPD.
AUTOMATIC, 41TE
EDZ = ENGINE - 2.4L 4 CYL DOHC 16V SMPI DD5 = TRANSMISSION - 5-SPEED
MANUAL
DDO = All Manual Transmissions
DGO = All Automatics

AR = use ase required - = Non illustrated part

2001 PT

Brakes, Rear Drum
Figure 5-205



| ITEM | PART NUMBER | QTY | LINE | SERIES | BODY | ENGINE | TRANS | TRIM | DESCRIPTION |
|------|--|--------|------|--------|------|--------|-------|------|--|
| 1 | 05018211AA V2108211AA | 1 | | | | | | | CYLINDER, Wheel Mopar V-Line Alternative Part Wheel Cylinder |
| 2 | 05018214AA | 1 | | | | | | | SOCKET, Brake Adjusting Screw |
| 3 | 04383543 | 1 | | | | | | | CLIP, Brake Shoe Hold Down |
| 4 | 05018210AA | 1 | | | | | | | LEVER, Park Brake Adjusting |
| 5 | 05018209AA V2013209 BHKH7264 BHKH2614 BHKH2615 | 1 | | | | | | | SHOE KIT, Brake Mopar V-Line Alternative Part Mopar V-Line Alternative Part All In One Drum Combi Kits Mopar V-Line Alternative Part Drum Self Adjuster Kit Left Mopar V-Line Alternative Part Drum Self Adjuster Kit |
| 6 | 04238730 | 1 | | | | | | | SPRING, Brake Shoe Return |
| 7 | 04238851 | 1 | | | | | | | SPRING, Brake Auto Adjuster Lever |
| 8 | 05018212AA 05018213AA | 1 1 | | | | | | | PLATE, Brake Backing Right Left |
| 9 | 04509676 BHKH7264 | 2 | | | | | | | DRUM, Brake Mopar V-Line Alternative Part All In One Drum Combi Kits |
| 10 | 04509766 | 2 | | | | | | | HUB AND BEARING, Brake |
| 11 | 04509396 | 2 | | | | | | | CAP, Wheel Bearing |
| 12 | 06502432 | 2 | | | | | | | LOCK NUT, Rear Spindle, M20-1.50 |
| 13 | 04509544 | 2 | | | | | | | SEAL, Brake Support |
| 14 | 04238716 | 1 | | | | | | | CLIP, Parking Brake Pin Lever |
| 15 | 05014998AA | 1 | | | | | | | PLUG, Access Hole |
| 16 | 05014998AA | 1 | | | | | | | BOLT AND CONED WASHER, Hex Head, M10x1.5x30, (NOT SERVICED) |
| 17 | 04238771 | 2 | | | | | | | PIN, Brake Shoe Hold Down |
| 18 | 04238771 | 2 | | | | | | | BOLT, Wheel Cylinder, (NOT SERVICED) |
| 19 | 04238764AB 04238765AB | 1 1 | | | | | | | LEVER, Brake Shoe Adjustment Right Left |

PT CRUISER (PT)

SERIES LINE
H = HIGHLINE Z = CHRYSLER (RHD)
C = CHRYSLER, LHD

BODY
44 = Four Door

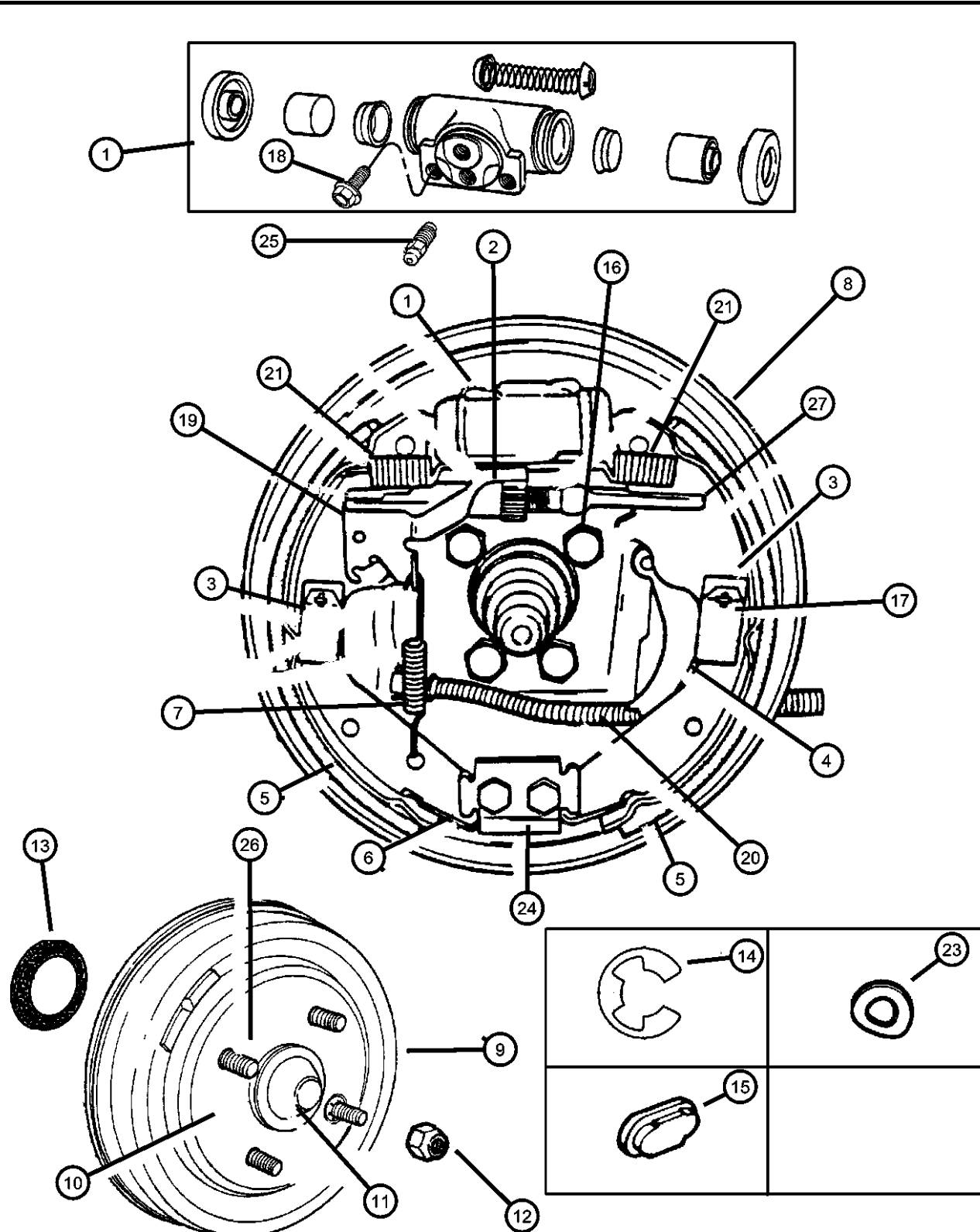
ENGINE
ECC = ENGINE - 2.0L 4 CYL
DOHC 16V SMPI
EDZ = ENGINE - 2.4L 4 CYL
DOHC 16V SMPI

TRANSMISSION
DGL = TRANSMISSION - 4-SPD.
AUTOMATIC, 41TE
DD5 = TRANSMISSION - 5-SPEED
MANUAL
DDO = All Manual Transmissions
DGO = All Automatics

AR = use ase required - = Non illustrated part

2001 PT

Brakes, Rear Drum
Figure 5-205



| ITEM | PART NUMBER | QTY | LINE | SERIES | BODY | ENGINE | TRANS | TRIM | DESCRIPTION |
|------|-------------|-----|------|--------|------|--------|-------|------|---|
| 20 | 04238765AB | 1 | | | | | | | CABLE, Parking Brake, Reference, (NOT SERVICED) |
| 21 | 05083394AA | 1 | | | | | | | SPRING, Park Brake Shoe Return |
| -22 | 05083394AA | 1 | | | | | | | NUT, Push Rear Drum Retainer for M12 Stud, (NOT SERVICED) |
| 23 | 04238715 | 1 | | | | | | | WASHER |
| 24 | 04238715 | 1 | | | | | | | PLATE, Anchor (Service in Backing Plate), (NOT SERVICED) |
| 25 | 03780788 | 1 | | | | | | | BLEEDER SCREW, Brake |
| 26 | 05204272 | 5 | | | | | | | STUD, Wheel |
| 27 | | | | | | | | | ADJUSTER, Rear Brake Drum |
| | 04856698 | 1 | | | | | | | Right |
| | 04856699 | 1 | | | | | | | Left |

PT CRUISER (PT)

SERIES LINE
H = HIGHLINE Z = CHRYSLER (RHD)
C = CHRYSLER, LHD

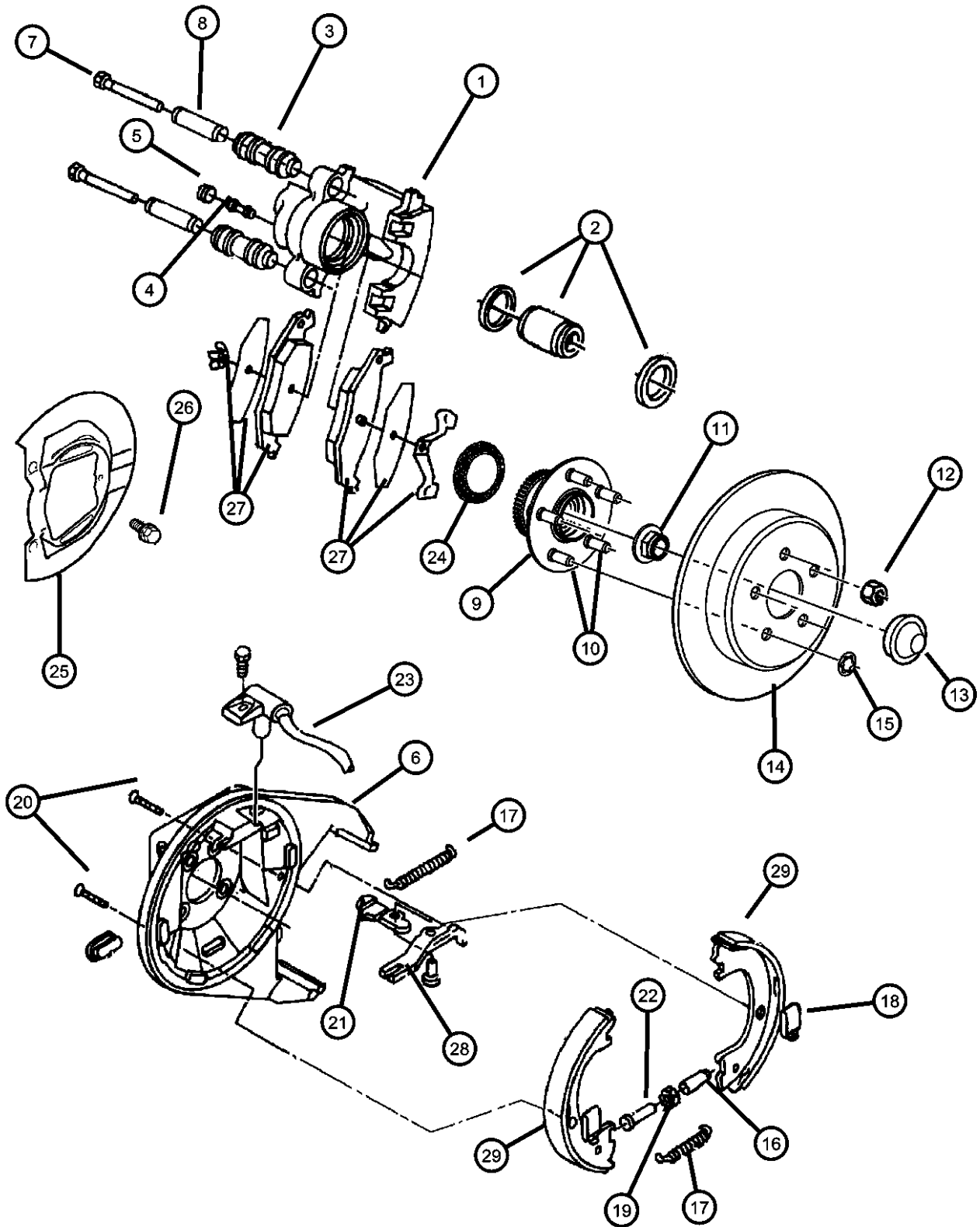
BODY
44 = Four Door

ENGINE TRANSMISSION
ECC = ENGINE - 2.0L 4 CYL DOHC 16V SMPI
EDZ = ENGINE - 2.4L 4 CYL DOHC 16V SMPI
DGL = TRANSMISSION - 4-SPD. AUTOMATIC, 41TE
DD5 = TRANSMISSION - 5-SPEED MANUAL
DDO = All Manual Transmissions
DGO = All Automatics

AR = use ase required - = Non illustrated part

2001 PT

Brakes, Rear Disc
Figure 5-207



| ITEM | PART NUMBER | QTY | LINE | SERIES | BODY | ENGINE | TRANS | TRIM | DESCRIPTION |
|------|-------------|-----|------|--------|------|--------|-------|------|---|
| 1 | 05018206AA | 1 | | | | | | | CALIPER, Disc Brake Right |
| | 05018207AA | 1 | | | | | | | Left |
| 2 | 05011948AA | 1 | | | | | | | PISTON, Brake, with Seal and Boot |
| 3 | 04383471 | 1 | | | | | | | BUSHING, Disc Brake Caliper |
| 4 | 05014431AA | 1 | | | | | | | SCREW, Bleeder |
| 5 | 05014431AA | 1 | | | | | | | CAP, Bleeder, (NOT SERVICED) |
| 6 | | | | | | | | | ADAPTER, Disc Brake Caliper |
| | 05018502AA | 1 | | | | | | | Right |
| | 05018503AA | 1 | | | | | | | Left |
| 7 | 06502527 | 4 | | | | | | | BOLT, Hex Flange Head, M8-1.25x68.50 |
| 8 | 04423573 | 2 | | | | | | | SLEEVE, Disc Brake Caliper |
| 9 | 04860074AA | 2 | | | | | | | HUB AND BEARING, Brake |
| 10 | 05204272 | 5 | | | | | | | STUD, Wheel |
| 11 | 06502432 | 2 | | | | | | | LOCK NUT, Rear Spindle, M20-1.50 |
| 12 | | | | | | | | | NUT, Wheel Chrome, M12x1.5 |
| | 06502738 | 20 | | | | | | | 16 Inch Wheel |
| | 06504266 | 20 | | | | | | | 15 Inch Wheel |
| 13 | 04509396 | 2 | | | | | | | CAP, Wheel Bearing |
| 14 | 04509553AB | 2 | | | | | | | ROTOR, Brake |
| 15 | 06100840 | 4 | | | | | | | NUT, Spring, M12 |
| 16 | 04509504 | 1 | | | | | | | SOCKET, Brake Adjusting Screw |
| 17 | | | | | | | | | SPRING, Park Brake Shoe Return |
| | 04383541 | 1 | | | | | | | Upper |
| | 05014930AA | 1 | | | | | | | Lower |
| 18 | 04383543 | 1 | | | | | | | CLIP, Brake Shoe Hold Down |
| 19 | 04383539 | 1 | | | | | | | NUT, Parking Brake Adjusting |
| 20 | 04238733 | 1 | | | | | | | PIN, Brake Shoe Hold Down |
| 21 | | | | | | | | | LEVER, Park Brake Adjusting |
| | 04882208 | 1 | | | | | | | Right |
| | 04882209 | 1 | | | | | | | Left |
| 22 | 04509503 | 1 | | | | | | | SCREW, Parking Brake |
| 23 | 04860038AA | 2 | | | | | | | SENSOR, Anti-Lock Brakes |

PT CRUISER (PT)

SERIES LINE
H = HIGHLINE Z = CHRYSLER (RHD)
C = CHRYSLER, LHD

BODY
44 = Four Door

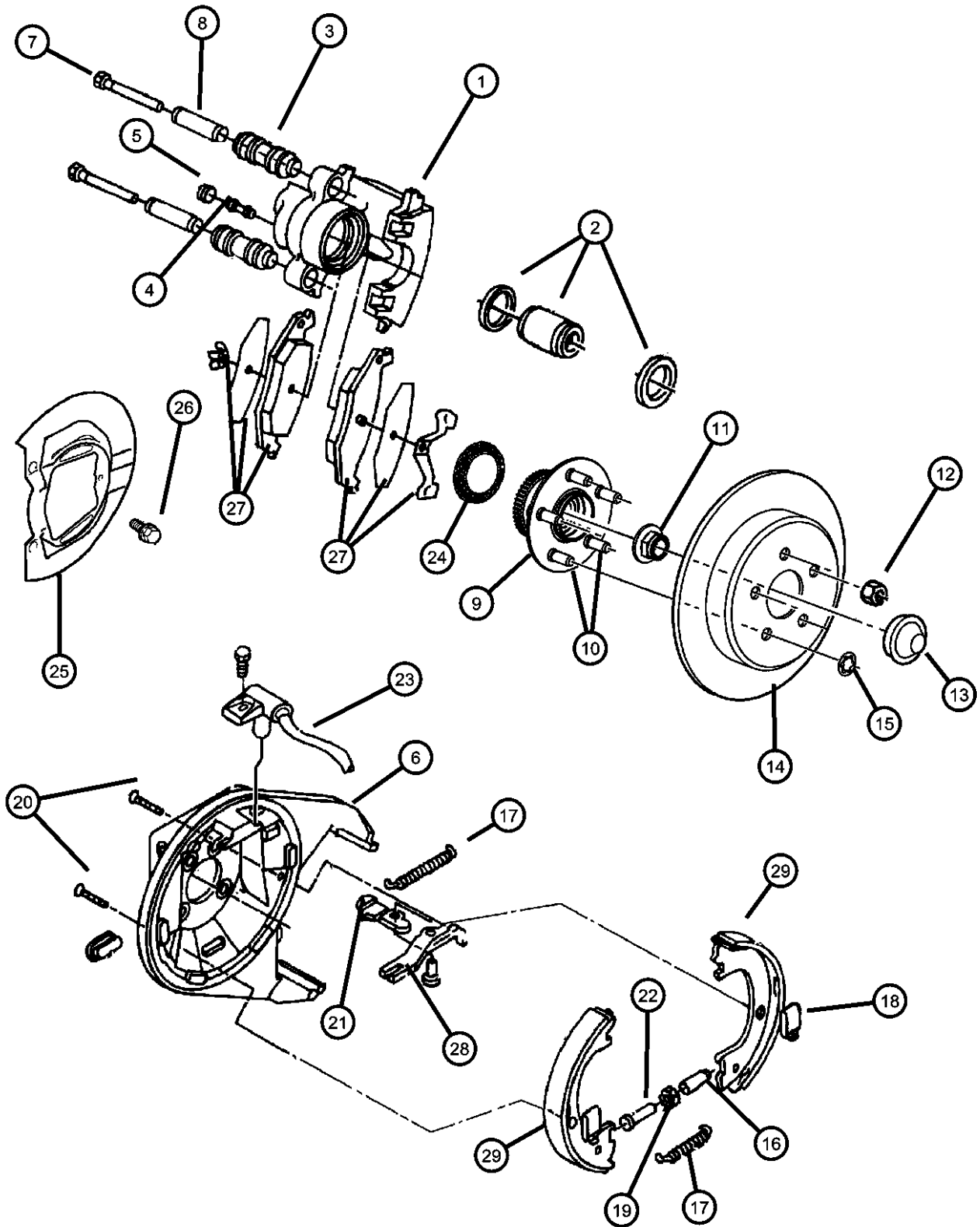
ENGINE
ECC = ENGINE - 2.0L 4 CYL
DOHC 16V SMPI
EDZ = ENGINE - 2.4L 4 CYL
DOHC 16V SMPI

TRANSMISSION
DGL = TRANSMISSION - 4-SPD.
AUTOMATIC, 41TE
DD5 = TRANSMISSION - 5-SPEED
MANUAL
DDO = All Manual Transmissions
DGO = All Automatics

AR = use ase required - = Non illustrated part

2001 PT

Brakes, Rear Disc
Figure 5-207



| ITEM | PART NUMBER | QTY | LINE | SERIES | BODY | ENGINE | TRANS | TRIM | DESCRIPTION |
|------|-------------|-----|------|--------|------|--------|-------|------|--|
| 24 | 04509544 | 2 | | | | | | | SEAL, Brake Support |
| 25 | | | | | | | | | SHIELD, Brake |
| | 04728110 | 1 | | | | | | | Right |
| | 04728111 | 1 | | | | | | | Left |
| 26 | 04723981 | 1 | | | | | | | SCREW, Rear Brake Dust Shield to Adapter |
| 27 | 05018208AA | 1 | | | | | | | PAD KIT, Rear Disc Brake |
| | BHKH5593 | | | | | | | | Mopar V-Line Alternative Part Disc Hardware |
| | BHKH5066 | | | | | | | | Mopar V-Line Alternative Part Caliper Bolts |
| | V2013208AB | | | | | | | | Mopar V-Line Alternative Part |
| 28 | 05018208AA | 1 | | | | | | | LINK, Brake Cylinder, [Service with Lever], (NOT SERVICED) |
| 29 | 04741772 | 1 | | | | | | | SHOE AND LINING, Parking Brake |
| | BHKP7300 | | | | | | | | Mopar Parking Brake Hardware Kit |
| | BHKP7301 | | | | | | | | Mopar Parking Brake Hardware Kit |
| | V2013036 | | | | | | | | Mopar V-Line Alternative Part |

PT CRUISER (PT)

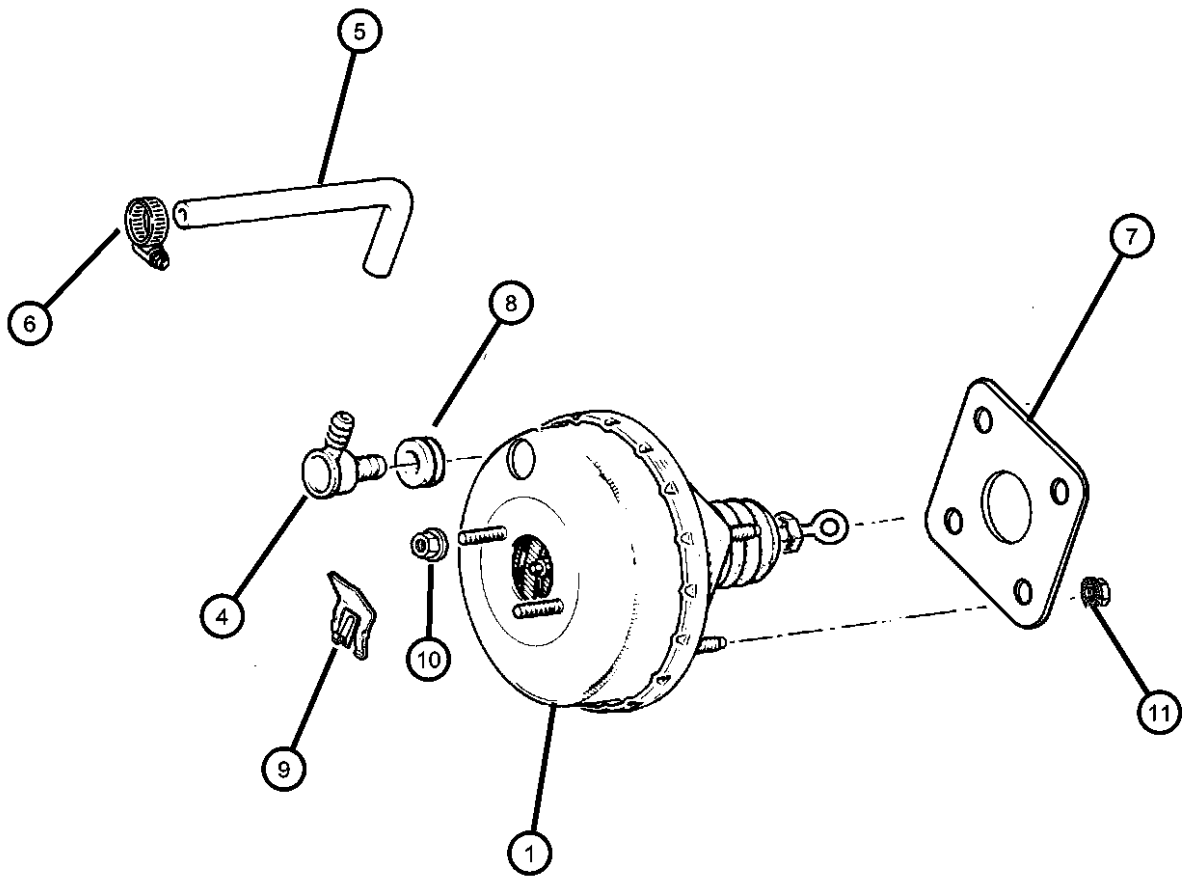
| | | | | |
|--------------|---|----------------|--|--|
| SERIES | LINE | BODY | ENGINE | TRANSMISSION |
| H = HIGHLINE | Z = CHRYSLER (RHD) C = CHRYSLER, LHD | 44 = Four Door | ECC = ENGINE - 2.0L 4 CYL DOHC 16V SMPI EDZ = ENGINE - 2.4L 4 CYL DOHC 16V SMPI | DGL = TRANSMISSION - 4-SPD. AUTOMATIC, 41TE DD5 = TRANSMISSION - 5-SPEED MANUAL DDO = All Manual Transmissions DGO = All Automatics |

AR = use ase required - = Non illustrated part

Booster, Power Brake

Figure 5-305

| ITEM | PART NUMBER | QTY | LINE | SERIES | BODY | ENGINE | TRANS | TRIM | DESCRIPTION |
|------|-------------|-----|------|--------|------|--------|-------|------|---|
| 1 | 05017970AA | 1 | | | | | | | BOOSTER, Power Brake without ABS |
| | 05017971AA | 1 | | | | | | | with ABS |
| -2 | 04669462 | 1 | | | | | | | CONNECTOR, Brake Booster Vacuum |
| -3 | 04669462 | 1 | | | | | | | CONNECTOR, Manifold Vacuum, Manifold Vac (Molded into the Manifold), (NOT SERVICED) |
| 4 | 04796355 | 1 | | | | | | | VALVE, Brake Booster Check |
| 5 | 04509900AB | 1 | C | | | | | | HOSE, Brake Booster |
| | 04860004AA | 1 | Z | | | | | | Right Hand Drive |
| 6 | 02448761 | 1 | | | | | | | CLAMP, Hose |
| 7 | 04796354 | 1 | | | | | | | SEAL, Brake Booster To Dash |
| 8 | 04883813AA | 1 | | | | | | | GROMMET, Brake Booster Check Valve |
| 9 | 06035334 | 1 | | | | | | | CLIP, Brake Push Rod |
| 10 | 06502524 | 1 | | | | | | | NUT, Hex Lock, M8x1.25 |
| 11 | 06101445 | 2 | C | | | | | | NUT AND WASHER, Hex Nut-Coned Washer, M8 x 1.25 |
| -12 | 06101445 | 2 | | | | | | | DIAPHRAGM, Brake Master Cylinder, (Service in the Booster), (NOT SERVICED) |



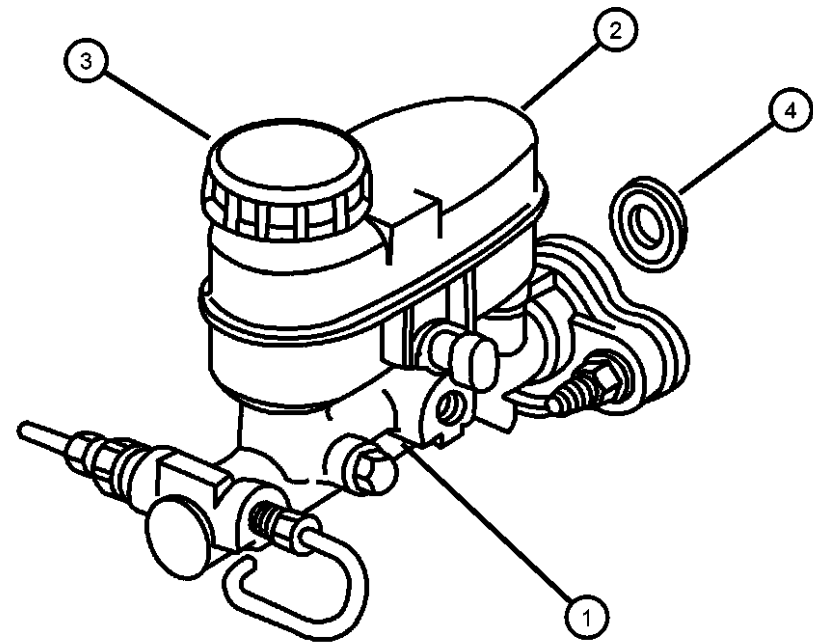
PT CRUISER (PT)

| | | | | |
|--------------|---|----------------|--|--|
| SERIES | LINE | BODY | ENGINE | TRANSMISSION |
| H = HIGHLINE | Z = CHRYSLER (RHD) C = CHRYSLER, LHD | 44 = Four Door | ECC = ENGINE - 2.0L 4 CYL DOHC 16V SMPI EDZ = ENGINE - 2.4L 4 CYL DOHC 16V SMPI | DGL = TRANSMISSION - 4-SPD. AUTOMATIC, 41TE DD5 = TRANSMISSION - 5-SPEED MANUAL DDO = All Manual Transmissions DGO = All Automatics |

AR = use ase required - = Non illustrated part

Master Cylinder
Figure 5-405

| ITEM | PART NUMBER | QTY | LINE | SERIES | BODY | ENGINE | TRANS | TRIM | DESCRIPTION |
|------|-------------|-----|------|--------|------|--------|-------|------|--|
| 1 | 05015160AA | 1 | | | | | | | MASTER CYLINDER, Brake with ABS |
| | 05017973AA | 1 | | | | | | | without ABS |
| 2 | 05015150AA | 1 | | | | | | | RESERVOIR, Brake Master Cylinder, with Switch |
| 3 | 04683656 | 1 | | | | | | | CAP, Master Cylinder Reservoir |
| 4 | 04723395 | 1 | | | | | | | SEAL, Master Cylinder To Booster |
| -5 | 06502524 | 1 | | | | | | | NUT, Hex Lock, M8x1.25, M/Cylinder to Booster |



PT CRUISER (PT)

SERIES

LINE

BODY

ENGINE

TRANSMISSION

H = HIGHLINE

Z = CHRYSLER (RHD)

44 = Four Door

ECC = ENGINE - 2.0L 4 CYL

DGL = TRANSMISSION - 4-SPD.

DOHC 16V SMPI

AUTOMATIC, 41TE

EDZ = ENGINE - 2.4L 4 CYL

DD5 = TRANSMISSION - 5-SPEED

DOHC 16V SMPI

MANUAL

DDO = All Manual Transmissions

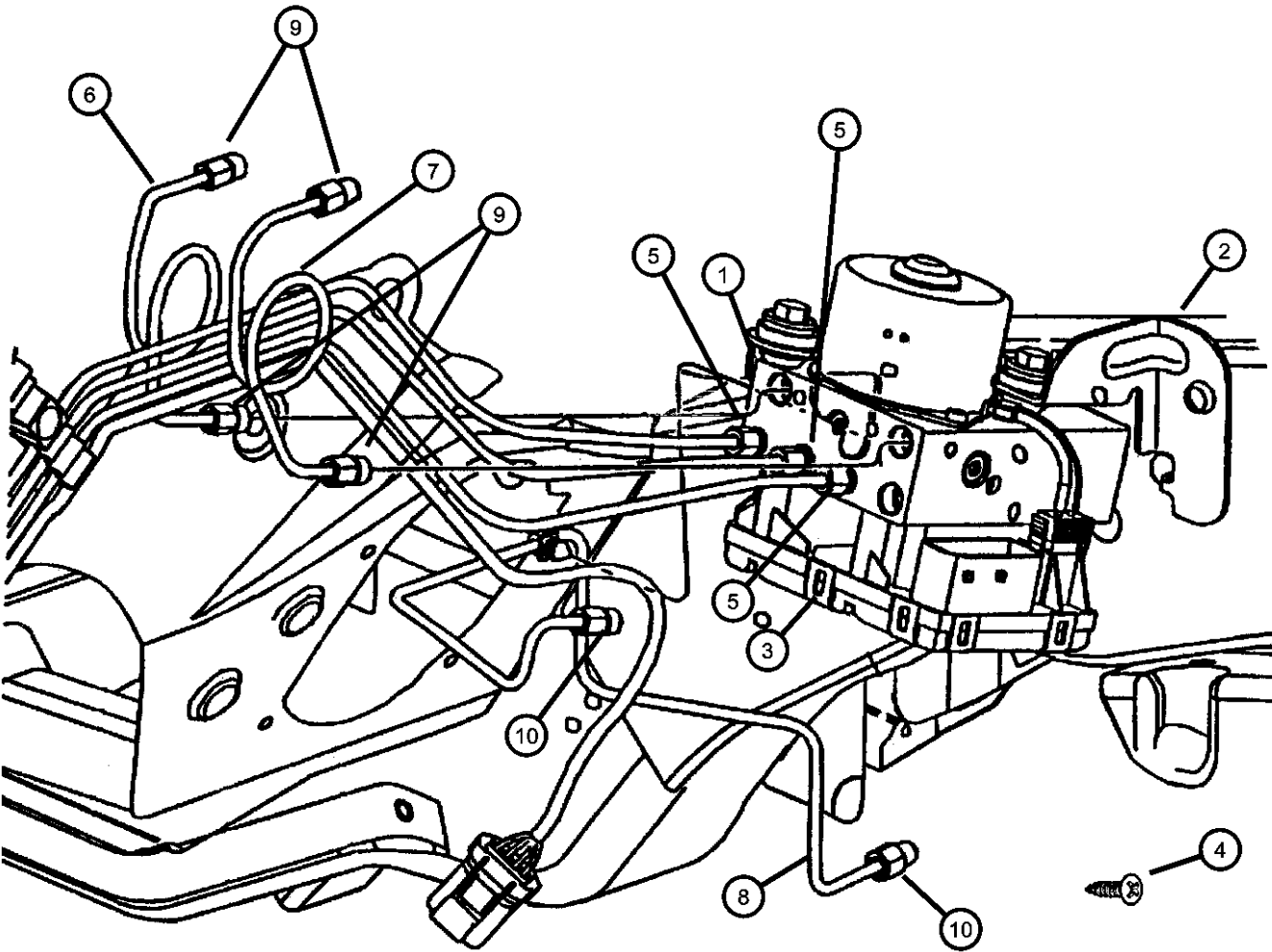
DGO = All Automatics

AR = use ase required - = Non illustrated part

2001 PT

**Anti-Lock Brake Control
Figure 5-410**

| ITEM | PART NUMBER | QTY | LINE | SERIES | BODY | ENGINE | TRANS | TRIM | DESCRIPTION |
|------|-------------|-----|------|--------|------|--------|-------|------|--|
| 1 | 05014869AA | 1 | | | | | | | HYDRAULIC CONTROL UNIT, Anti-Lock Brake System |
| 2 | 05014870AA | 1 | | | | | | | BRACKET, Brake Control Unit |
| 3 | | | | | | | | | MODULE, Anti-Lock Brake System |
| | 05017847AB | 1 | | | | | | | Up To [7/24/00] |
| | 05017847AC | 1 | | | | | | | After [7/24/00] |
| 4 | 06101946 | 2 | | | | | | | SCREW, Tapping |
| 5 | 06036125AA | 1 | | | | | | | NUT, .437-24x.850 |
| 6 | | | | | | | | | TUBE, Brake, Primary |
| | 04509780AB | 1 | C | | | | | | |
| | 05273162AA | 1 | Z | | | | | | |
| 7 | | | | | | | | | TUBE, Brake, Secondary |
| | 04509776AC | 1 | C | | | | | | |
| | 05273159AA | 1 | Z | | | | | | |
| 8 | 04509781AC | 1 | | | | | | | TUBE, BrakeLeft Front |
| 9 | | | | | | | | | NUT |
| | 06036125AA | 1 | | | | | | | .375-24x.850 |
| | 06036126AA | 1 | | | | | | | .437-24x.825 |
| 10 | | | | | | | | | NUT |
| | 06036125AA | 1 | | | | | | | .375-24x.850 |
| | 06036126AA | 1 | | | | | | | .437-24x.825 |



PT CRUISER (PT)

SERIES

H = HIGHLINE

LINE

Z = CHRYSLER (RHD)

C = CHRYSLER, LHD

BODY

44 = Four Door

ENGINE

ECC = ENGINE - 2.0L 4 CYL

DOHC 16V SMPI

EDZ = ENGINE - 2.4L 4 CYL

DOHC 16V SMPI

TRANSMISSION

DGL = TRANSMISSION - 4-SPD.

AUTOMATIC, 41TE

DD5 = TRANSMISSION - 5-SPEED

MANUAL

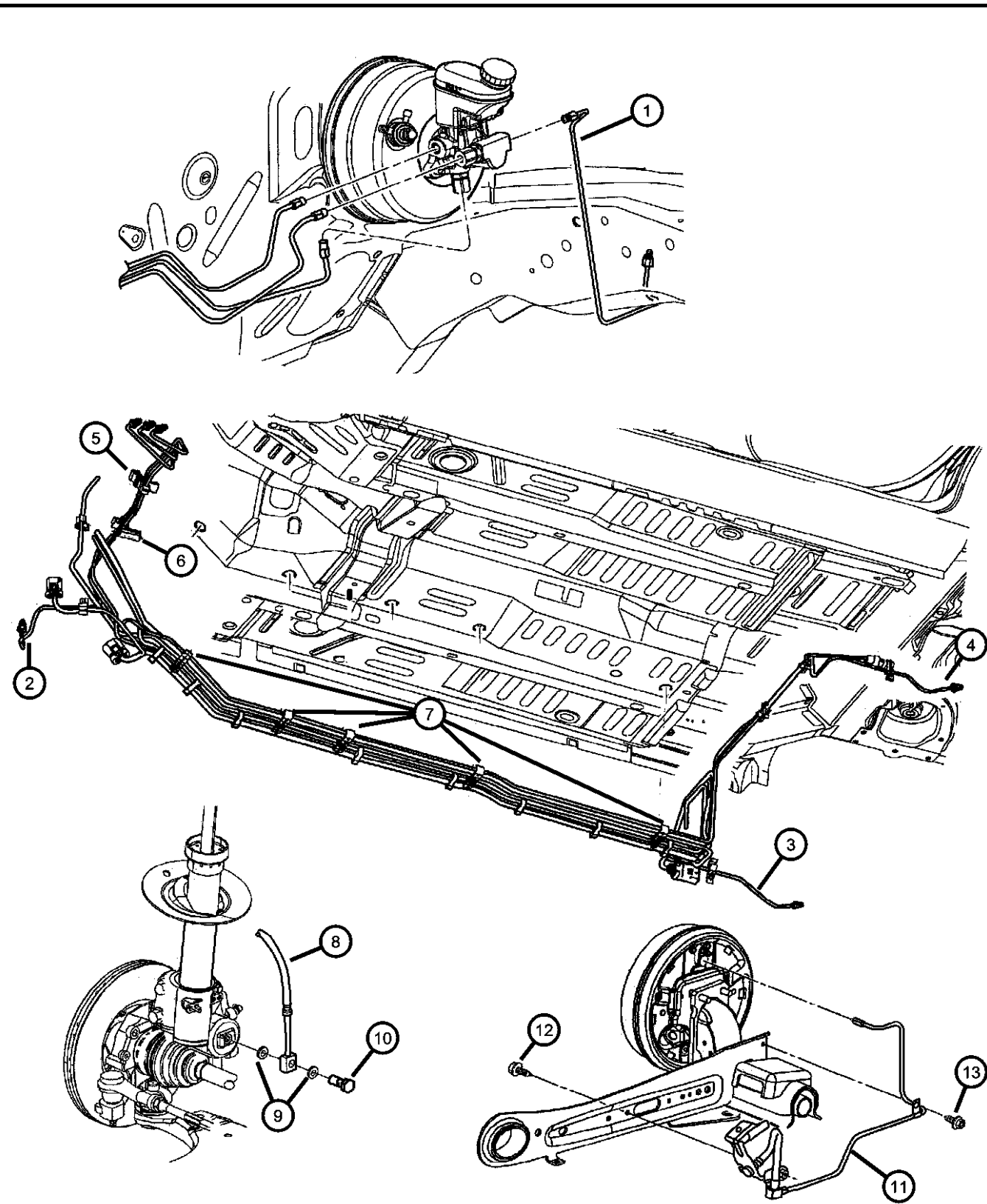
DDO = All Manual Transmissions

DGO = All Automatics

AR = use ase required - = Non illustrated part

2001 PT

**Lines and Hoses, Brake without Anti-Lock Brakes
Figure 5-505**



| ITEM | PART NUMBER | QTY | LINE | SERIES | BODY | ENGINE | TRANS | TRIM | DESCRIPTION |
|------|-------------|-----|------|--------|------|--------|-------|------|--|
| 1 | 04509779AC | 1 | C | | | | | | TUBE, BrakeLeft Front |
| 2 | 05017684AA | 1 | C | | | | | | TUBE, Brake, Right Front |
| 3 | 05017685AA | 1 | C | | | | | | TUBE, Brake, Right Rear |
| 4 | 05017686AA | 1 | C | | | | | | TUBE, Brake, Left Rear |
| 5 | 05278182AB | 1 | C | | | | | | CLIP, Fuel Tube, 4 TUBE UNDER DASH |
| 6 | 05278179AB | 1 | C | | | | | | CLIP, Fuel Tube, 7 TUBE UNDER DASH |
| 7 | 05278699AA | 5 | C | | | | | | CLIP, Fuel Bundle, 5 TUBE UNDER BODY |
| 8 | | | | | | | | | HOSE, Brake |
| | 04509995AB | 1 | | | | | | | Left Front |
| | 04509996AC | 1 | | | | | | | Right Front |
| 9 | 06502114 | 4 | | | | | | | WASHER, Brake Hose |
| 10 | 06505801AA | 2 | | | | | | | SCREW, Hex Head |
| 11 | | | | | | | | | HOSE, Brake |
| | 04860080AD | 1 | | | | | | | Right Rear |
| | 04860081AC | 1 | | | | | | | Left Rear |
| 12 | 06101719 | 2 | | | | | | | SCREW AND WASHER, Tapping, M6-1.0x20.0 |
| 13 | 06503641 | 2 | | | | | | | SCREW, M7X1.25X16.00 |
| -14 | | | | | | | | | NUT |
| | 06036125AA | 1 | C | | | | | | .375-24x.850, for Roll Stock Tubing |
| | 06036126AA | 3 | C | | | | | | .437-24x.825, for Roll Stock Tubing |
| | 06036157AA | 2 | C | | | | | | .437-24x.85, for Roll Stock Tubing |
| -15 | 05017972AA | 1 | | | | | | | VALVE, Proportioning |

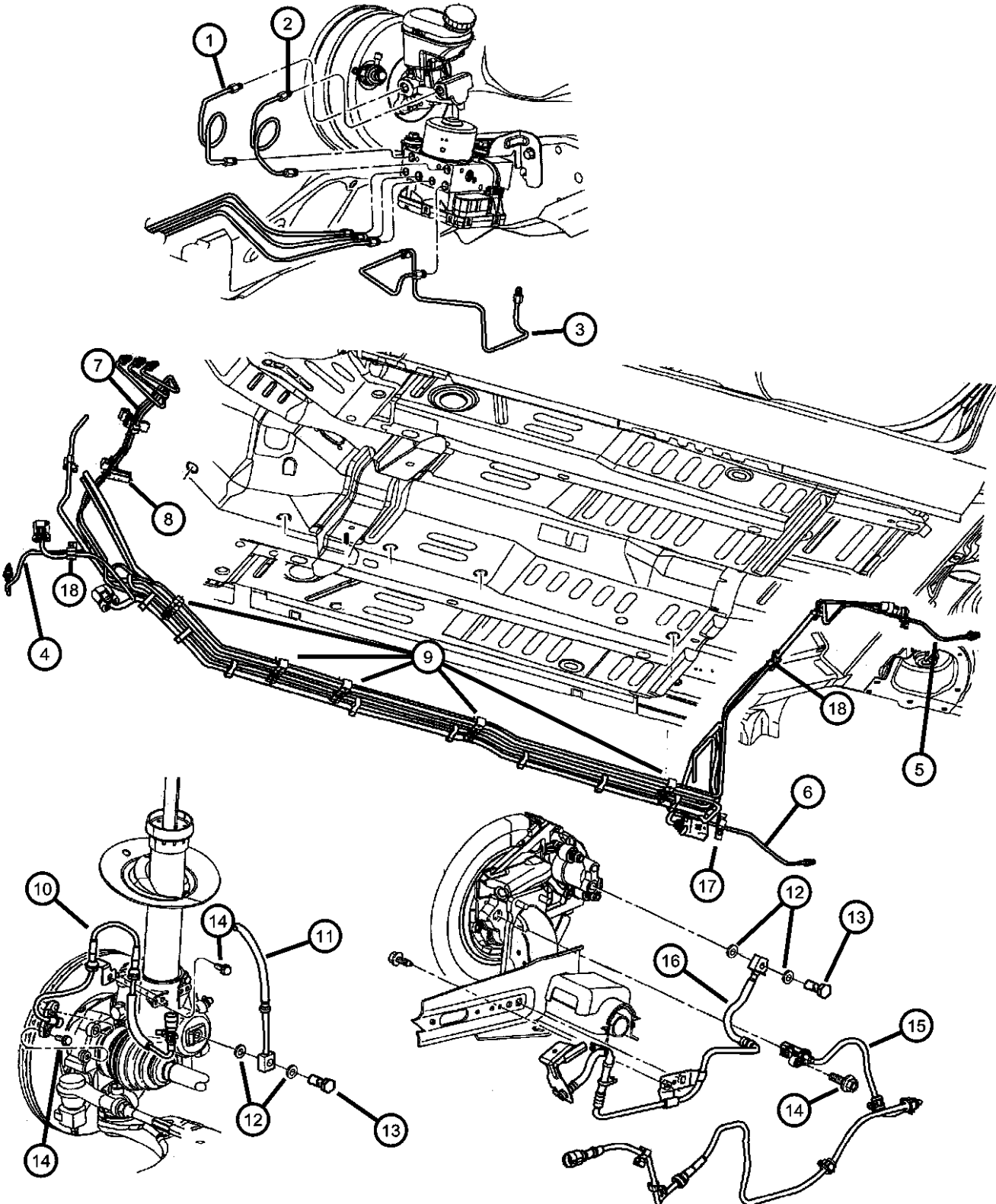
PT CRUISER (PT)

| | | | | |
|--------------|---|----------------|--|--|
| SERIES | LINE | BODY | ENGINE | TRANSMISSION |
| H = HIGHLINE | Z = CHRYSLER (RHD) C = CHRYSLER, LHD | 44 = Four Door | ECC = ENGINE - 2.0L 4 CYL DOHC 16V SMPI EDZ = ENGINE - 2.4L 4 CYL DOHC 16V SMPI | DGL = TRANSMISSION - 4-SPD. AUTOMATIC, 41TE DD5 = TRANSMISSION - 5-SPEED MANUAL DDO = All Manual Transmissions DGO = All Automatics |

AR = use ase required - = Non illustrated part

Lines and Hoses, Brake with Anti-lock Brakes

Figure 5-545



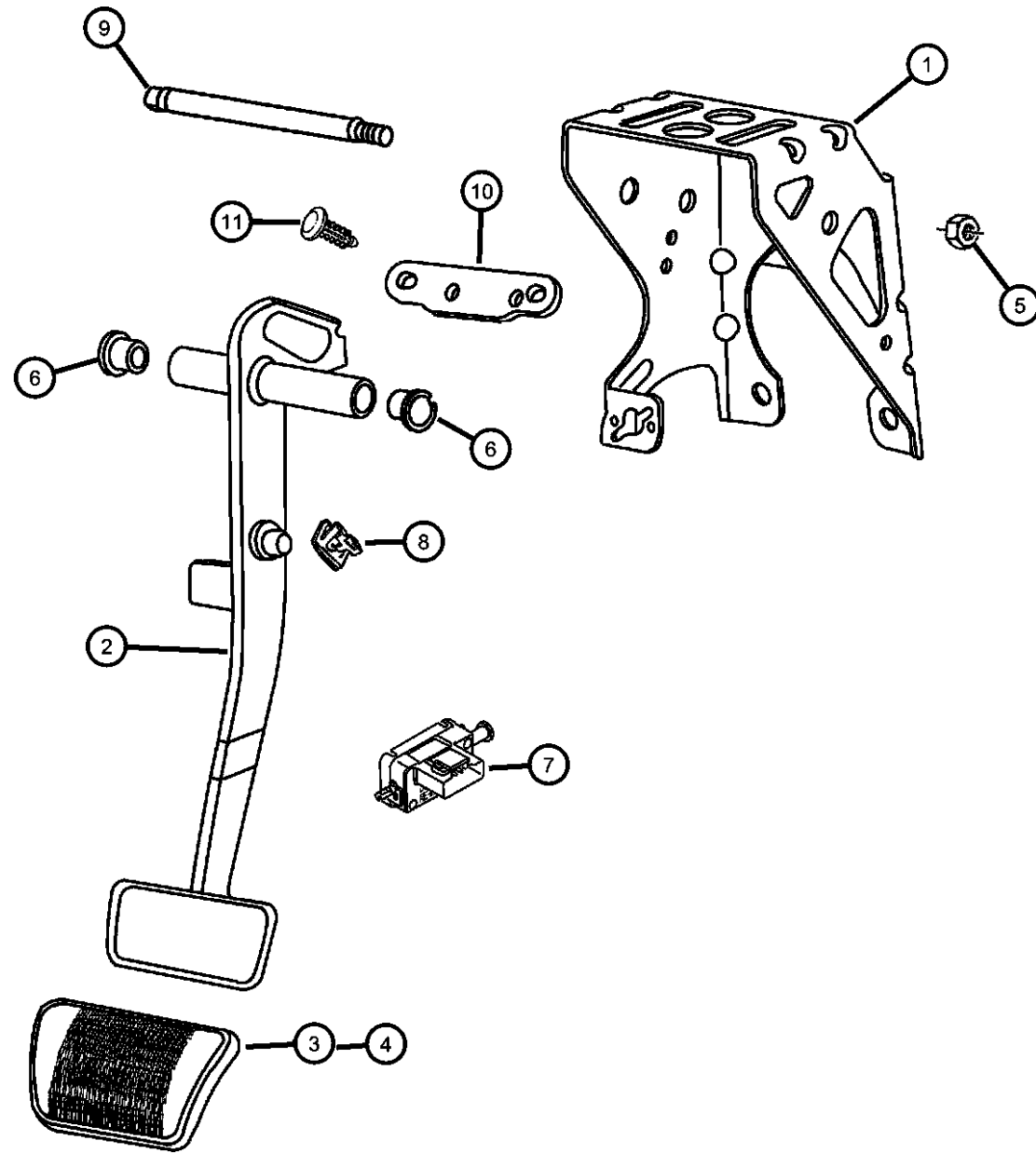
| ITEM | PART NUMBER | QTY | LINE | SERIES | BODY | ENGINE | TRANS | TRIM | DESCRIPTION |
|------|-------------|-----|------|--------|------|--------|-------|------|--|
| 1 | 04509780AB | 1 | C | | | | | | TUBE, Brake, PRIMARY TO M/C |
| 2 | 04509776AC | 1 | C | | | | | | TUBE, BrakeSecondary Line To Master Cylinder |
| 3 | 04509781AF | 1 | | | | | | | TUBE, BrakeLeft Front |
| 4 | 05017690AA | 1 | C | | | | | | TUBE, Brake, Right Front |
| 5 | 05017691AA | 1 | C | | | | | | TUBE, Brake, Right Rear |
| 6 | 05017692AA | 1 | C | | | | | | TUBE, Brake, Left Rear |
| 7 | 05278182AB | 1 | C | | | | | | CLIP, Fuel Tube, 4-Tube Under Dash |
| 8 | 05278179AB | 1 | C | | | | | | CLIP, Fuel Tube, 7-Tube Under Dash |
| 9 | 05278699AA | 5 | C | | | | | | CLIP, Fuel Bundle, 4-Tube Under Body |
| 10 | | | | | | | | | SENSOR, Anti-Lock Brakes |
| | 05273332 | 1 | | | | | | | Right Front |
| | 05273333 | 1 | | | | | | | Left Front |
| 11 | | | | | | | | | HOSE, Brake |
| | 04860068AC | 1 | | | | | | | Right Front |
| | 04860069AB | 1 | | | | | | | Left Front |
| 12 | 06502114 | 4 | | | | | | | WASHER, Brake Hose |
| 13 | 06505801AA | 2 | | | | | | | SCREW, Hex Head |
| 14 | 34201686 | 3 | | | | | | | BOLT, Hex Flange Head, M12x1.18x35 |
| 15 | 04860038AA | 2 | | | | | | | SENSOR, Anti-Lock Brakes |
| 16 | | | | | | | | | HOSE, Brake |
| | 04860082AC | 1 | | | | | | | Right Rear |
| | 04860083AB | 1 | | | | | | | Left Rear |
| 17 | 05278609AA | 2 | C | | | | | | CLIP, Fuel Bundle |
| 18 | 04495636 | 3 | C | | | | | | CLIP, Fuel Tube |
| -19 | | | | | | | | | NUT |
| | 06036125AA | 3 | C | | | | | | .375-24X.850 |
| | 06036126AA | 1 | | | | | | | .437-24X.825 |
| | 06036157AA | 2 | C | | | | | | .437-24X.85 |

PT CRUISER (PT)

| | | | | |
|--------------|---|----------------|--|--|
| SERIES | LINE | BODY | ENGINE | TRANSMISSION |
| H = HIGHLINE | Z = CHRYSLER (RHD) C = CHRYSLER, LHD | 44 = Four Door | ECC = ENGINE - 2.0L 4 CYL DOHC 16V SMPI EDZ = ENGINE - 2.4L 4 CYL DOHC 16V SMPI | DGL = TRANSMISSION - 4-SPD. AUTOMATIC, 41TE DD5 = TRANSMISSION - 5-SPEED MANUAL DDO = All Manual Transmissions DGO = All Automatics |

AR = use ase required - = Non illustrated part

Pedal, Brake
Figure 5-605



| ITEM | PART NUMBER | QTY | LINE | SERIES | BODY | ENGINE | TRANS | TRIM | DESCRIPTION |
|------|-------------|-----|------|--------|------|--------|-------|------|--|
| 1 | 05273026AA | 1 | C | | | | | | BRACKET, Brake Pedal Automatic Transmission |
| | 05273034AA | 1 | Z | | | | | | Manual Transmission |
| | 05273102AA | 1 | C | | | | | | Manual Transmission |
| 2 | 05273005AB | 1 | Z | | | | | | PEDAL, Brake Automatic Transmission |
| | 05273027AB | 1 | C | | | | | | Automatic Transmission |
| | 05273029AB | 1 | C | | | | | | Manual Transmission |
| 3 | 04779027 | 1 | C | | | | | | PAD, Pedal |
| | | 1 | Z | | | | | | |
| 4 | 04683021 | 1 | Z | | | | | | PAD, Clutch Also Brake |
| | | 1 | C | | | | | | Also Brake |
| 5 | 06500197 | 1 | Z | | | | | | NUT, M10x1.5 |
| | | 1 | C | | | | | | |
| 6 | 02467770 | 2 | C | | | | | | BUSHING, Pedal Shaft |
| | | 4 | Z | | | | | | |
| 7 | 56045043AE | 1 | | | | | | | SWITCH, Stop Lamp |
| 8 | 06035334 | 1 | | | | | | | CLIP, Brake Push Rod |
| 9 | 04683022 | 1 | C | | | | | | SHAFT, Brake Pedal Pivot Automatic Transmission |
| | | 1 | Z | | | | | | Automatic Transmission |
| | | 1 | C | | | | | | Manual Transmission |
| 10 | 04860035AA | 1 | C | | | | | | BRACKET, Brake Pedal Tie Bar, Pedal Impact Stop |
| | | 1 | Z | | | | | | Tie Bar, Pedal Impact Stop |
| 11 | 06504043 | 2 | C | | | | | | PIN, Push, M8.6x19 |
| | | 2 | Z | | | | | | |

PT CRUISER (PT)

SERIES LINE
H = HIGHLINE Z = CHRYSLER (RHD)
 C = CHRYSLER, LHD

BODY
44 = Four Door

ENGINE
ECC = ENGINE - 2.0L 4 CYL
DOHC 16V SMPI
EDZ = ENGINE - 2.4L 4 CYL
DOHC 16V SMPI

TRANSMISSION
DGL = TRANSMISSION - 4-SPD.
AUTOMATIC,41TE
DD5 = TRANSMISSION - 5-SPEED
MANUAL
DDO = All Manual Transmissions
DGO = All Automatics

AR = use ase required - = Non illustrated part

Group - 6

Clutch

Group - 6 Clutch

Illustration Title

Group-Fig. No.

Clutch

Clutch and Disc..... Fig. 6 - 110

Clutch Housing

Housing, Clutch and Mounting Bolts..... Fig. 6 - 210

Clutch Controls

Controls, Clutch / 1 Of 2..... Fig. 6 - 310

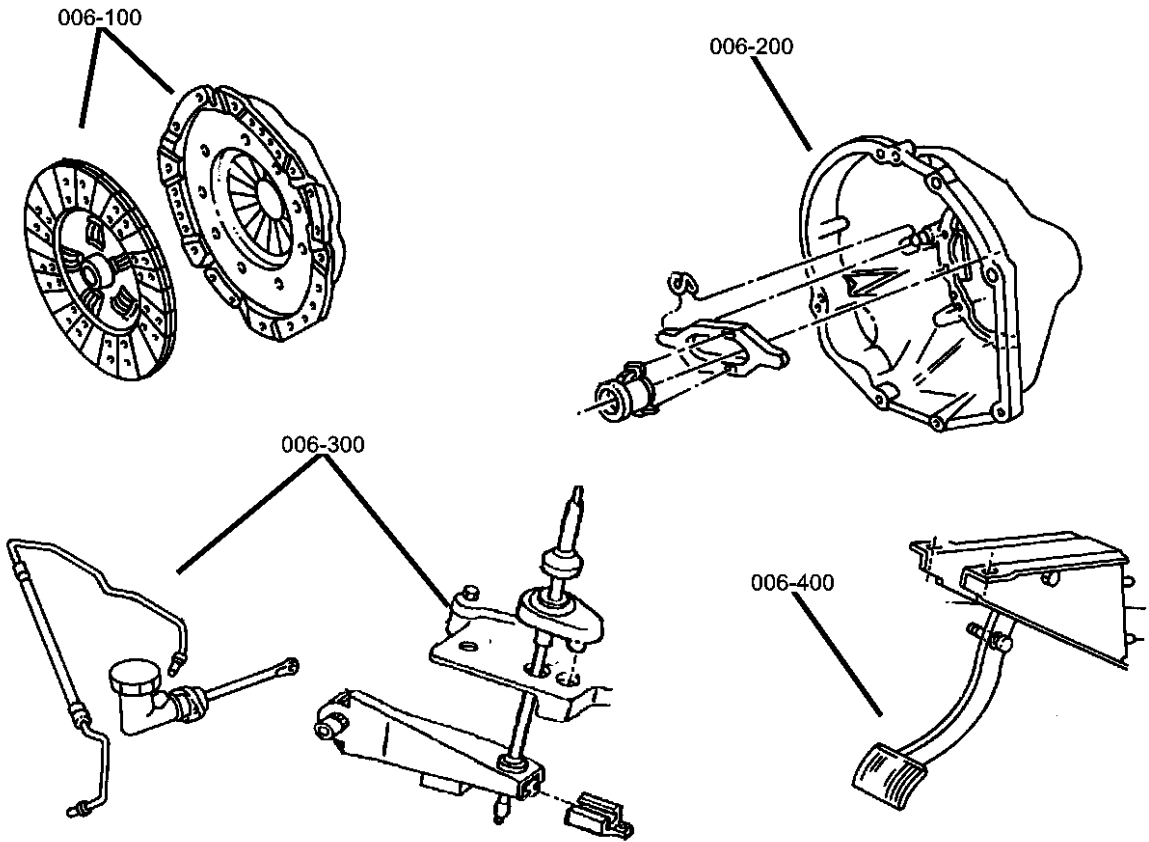
Controls, Clutch / 2 Of 2..... Fig. 6 - 320

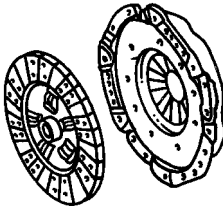
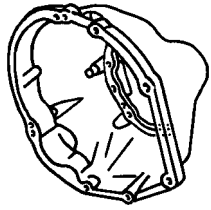
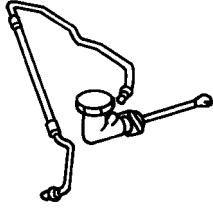
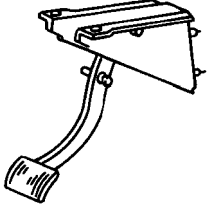
Controls, Release Fork & Bearing, Hydraulic Clutch, RHD..... Fig. 6 - 330

Controls, Master Cylinder & Slave Cylinder, Hydraulic Clutch, RHD..... Fig. 6 - 340

Clutch Pedals

Clutch Pedal..... Fig. 6 - 410

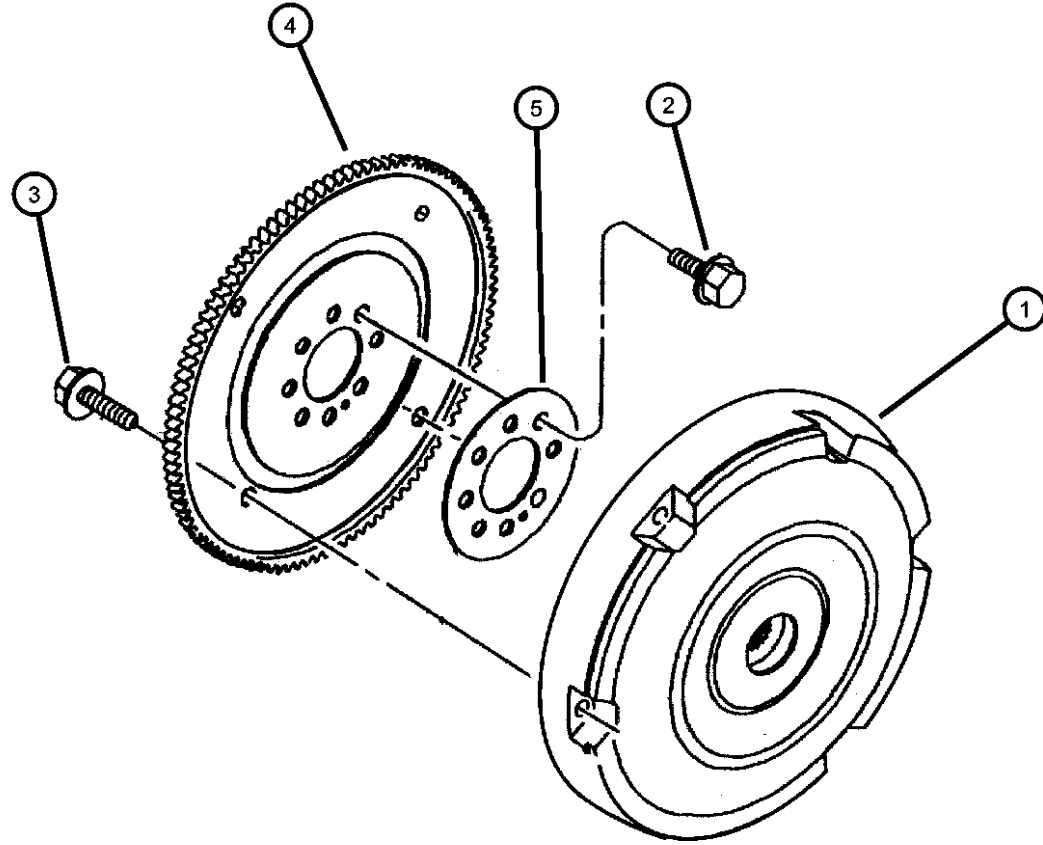


| | | | |
|---|--|--|---|
| <p>006-100 Clutch</p>  | <p>006-200 Clutch Housing</p>  | <p>006-300 Clutch Controls</p>  | <p>006-400 Clutch Pedals</p>  |
|---|--|--|---|

Clutch and Disc
Figure 6-110

| ITEM | PART NUMBER | QTY | LINE | SERIES | BODY | ENGINE | TRANS | TRIM | DESCRIPTION |
|------|-------------|-----|------|--------|------|----------|-------|------|----------------------------------|
| 1 | | | | | | | | | CLUTCH, Modular |
| | 04668555AA | 1 | | | | ECC | DD5 | | |
| | 04668573AA | 1 | | | | EDZ | DD5 | | |
| 2 | 06503465 | 8 | | | | ECC, EDZ | DD5 | | BOLT, Drive Plate and Flywheel |
| 3 | 06501099 | 4 | | | | ECC, EDZ | DD5 | | BOLT, Hex Head, M10x1.50 x 13.20 |
| 4 | 04567143 | 1 | | | | ECC, EDZ | DD5 | | PLATE, Drive Plate |
| 5 | 04471933 | 1 | | | | ECC, EDZ | DD5 | | PLATE, Drive Plate Backing |

NOTE:
Sales Codes:
DD5 = 5 Spd Manual Trans A578
ECC = 2.0L 4 CYL DOHC
EDZ = 2.4L 4 CYL DOHC



PT CRUISER (PT)

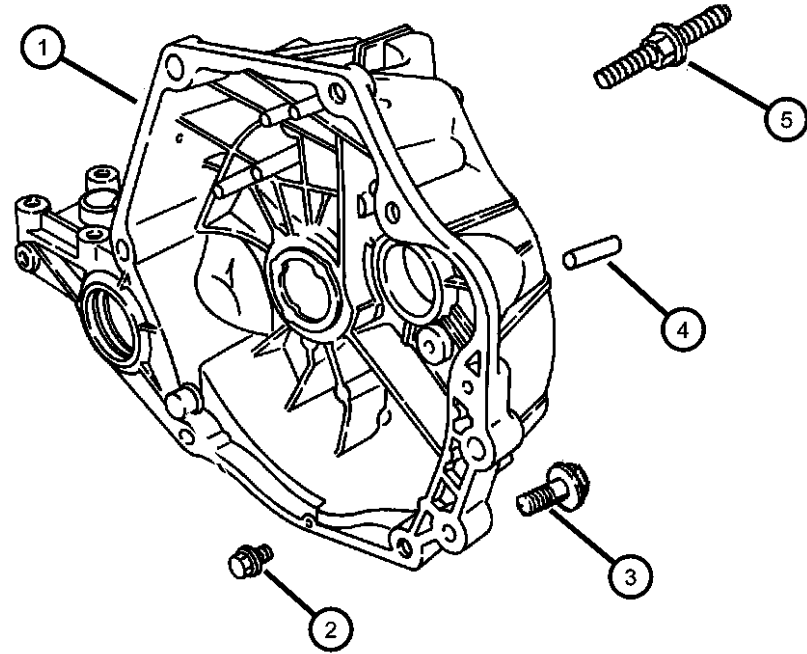
| | | | | |
|--------------|---|----------------|--|--|
| SERIES | LINE | BODY | ENGINE | TRANSMISSION |
| H = HIGHLINE | Z = CHRYSLER (RHD) C = CHRYSLER, LHD | 44 = Four Door | ECC = ENGINE - 2.0L 4 CYL DOHC 16V SMPI EDZ = ENGINE - 2.4L 4 CYL DOHC 16V SMPI | DGL = TRANSMISSION - 4-SPD. AUTOMATIC, 41TE DD5 = TRANSMISSION - 5-SPEED MANUAL DDO = All Manual Transmissions DGO = All Automatics |

AR = use ase required - = Non illustrated part

2001 PT

Housing, Clutch and Mounting Bolts
Figure 6-210

| ITEM | PART NUMBER | QTY | LINE | SERIES | BODY | ENGINE | TRANS | TRIM | DESCRIPTION |
|--|-------------|-----|------|--------|------|--------|-------|------|-------------------------------------|
| NOTE: Sales Codes: DD5 = 5 Spd Manual Trans A578 ECC=2.0L 4 Cyl. Engine EDZ=2.4L 4 Cyl. Engine | | | | | | | | | |
| 1 | 05016237AA | 1 | | | | | DD5 | | HOUSING, Clutch |
| 2 | 06501755 | 1 | | | | | DD5 | | SCREW AND WASHER, Hex Head, M6x1x16 |
| 3 | 06501742 | 3 | | | | | DD5 | | SCREW, Hex Head, M12x1.75x50 |
| 4 | 04761099 | 2 | | | | | DD5 | | PIN, Locating |
| 5 | 06506423AA | 1 | | | | EDZ | | | STUD |
| | | 1 | | | | ECC | | | |



PT CRUISER (PT)

| | | | | |
|--------------|---|----------------|--|--|
| SERIES | LINE | BODY | ENGINE | TRANSMISSION |
| H = HIGHLINE | Z = CHRYSLER (RHD) C = CHRYSLER, LHD | 44 = Four Door | ECC = ENGINE - 2.0L 4 CYL DOHC 16V SMPI EDZ = ENGINE - 2.4L 4 CYL DOHC 16V SMPI | DGL = TRANSMISSION - 4-SPD. AUTOMATIC, 41TE DD5 = TRANSMISSION - 5-SPEED MANUAL DDO = All Manual Transmissions DGO = All Automatics |

AR = use ase required - = Non illustrated part

2001 PT

Controls, Clutch / 1 Of 2
Figure 6-310

| ITEM | PART NUMBER | QTY | LINE | SERIES | BODY | ENGINE | TRANS | TRIM | DESCRIPTION |
|------|-------------|-----|------|--------|------|--------|-------|------|-------------|
|------|-------------|-----|------|--------|------|--------|-------|------|-------------|

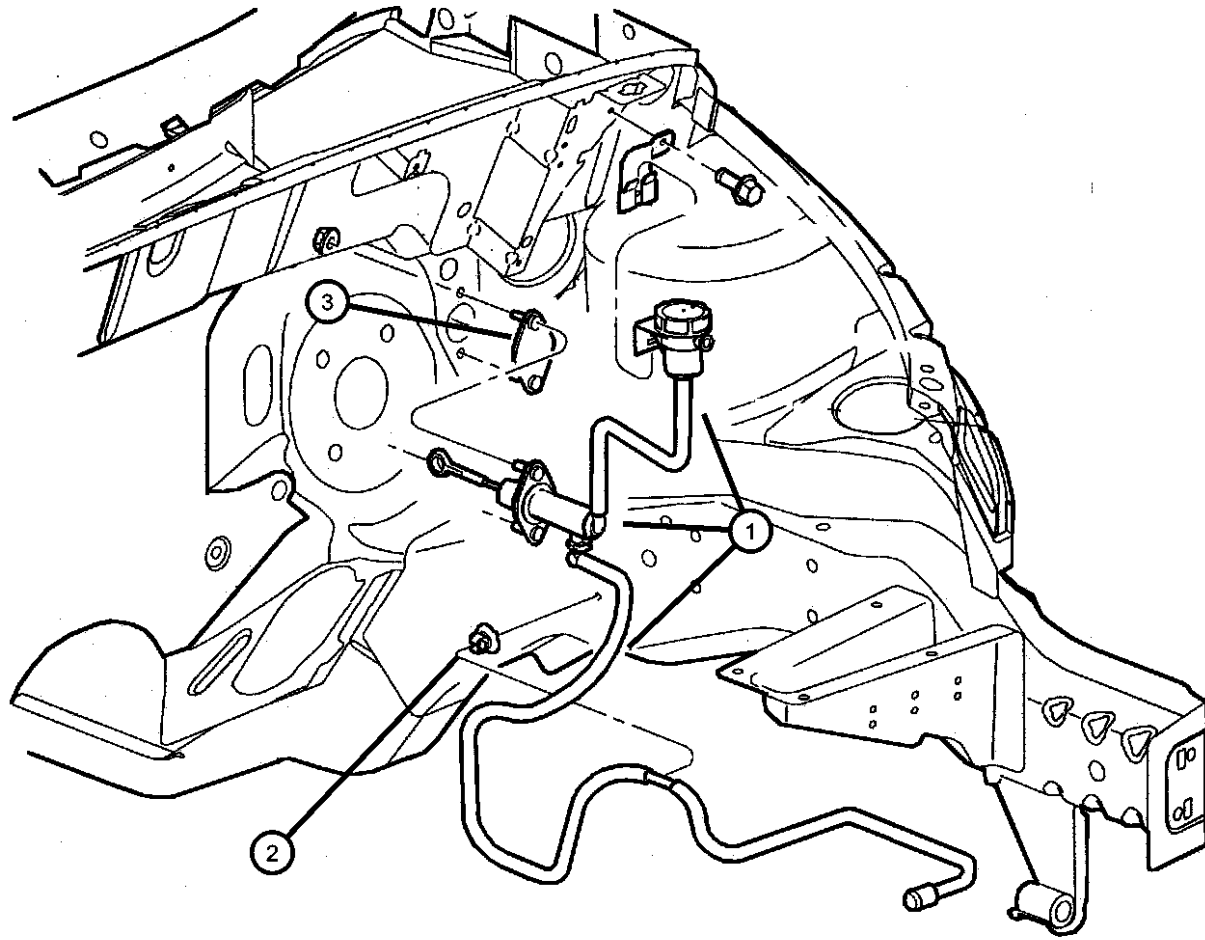
NOTE:

Sales Codes :

DD5=5 Speed Transmission

DGL=4 Speed Automatic Transmission

| | | | | | | | | | |
|---|------------|---|---|--|--|--|-----|--|----------------------------|
| 1 | 04668632AA | 1 | C | | | | DD5 | | ACTUATOR, Hydraulic Clutch |
| 2 | 04670268 | 1 | | | | | DD5 | | CLIP, Clutch Tube |
| 3 | 04668637AA | 1 | C | | | | DGL | | PLATE, Brake Booster |



PT CRUISER (PT)

SERIES LINE

H = HIGHLINE Z = CHRYSLER (RHD)
C = CHRYSLER, LHD

BODY

44 = Four Door

ENGINE

ECC = ENGINE - 2.0L 4 CYL DOHC 16V SMPI
EDZ = ENGINE - 2.4L 4 CYL DOHC 16V SMPI

TRANSMISSION

DGL = TRANSMISSION - 4-SPD. AUTOMATIC, 41TE
DD5 = TRANSMISSION - 5-SPEED MANUAL
DDO = All Manual Transmissions
DGO = All Automatics

AR = use ase required - = Non illustrated part

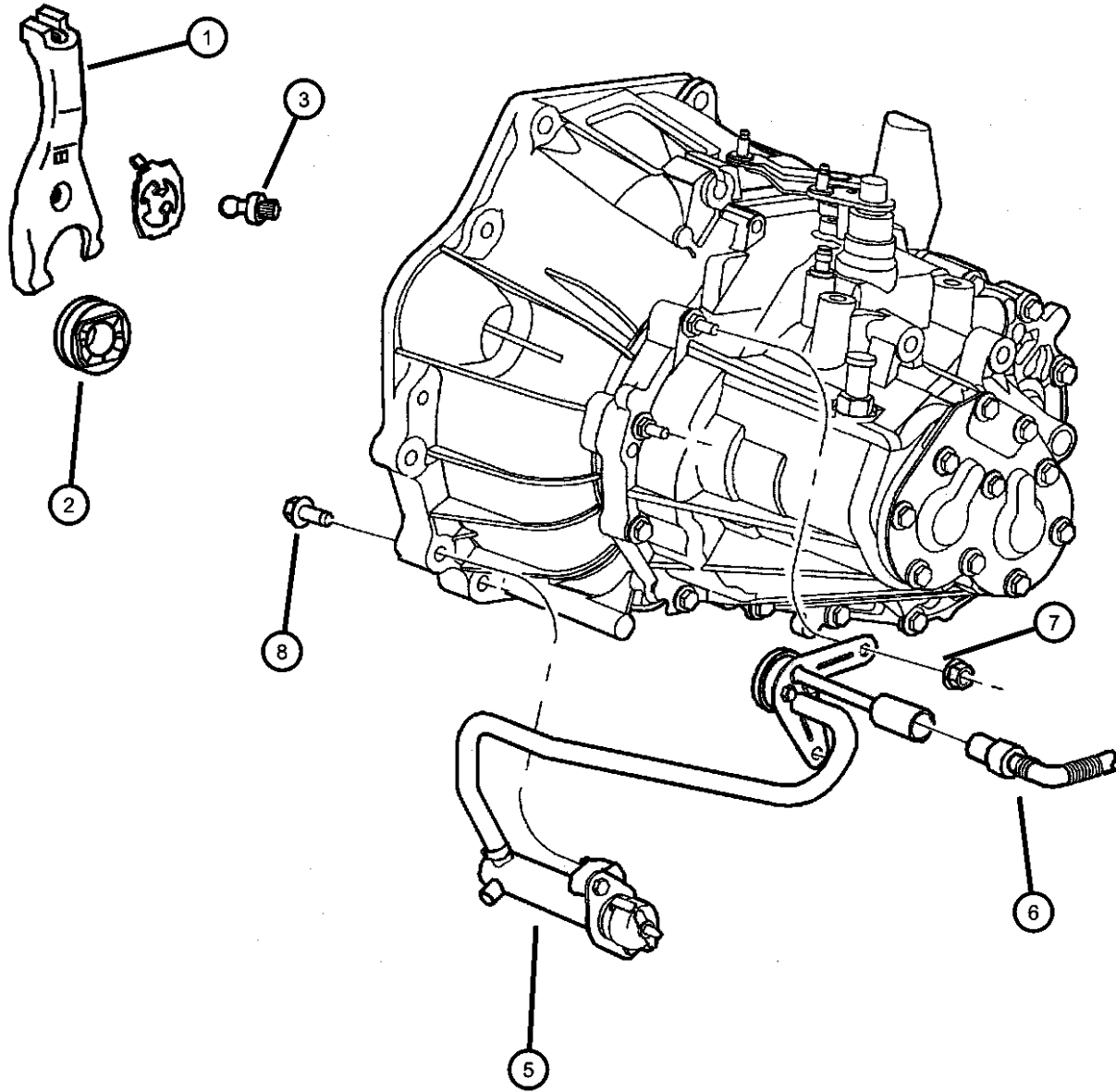
2001 PT

Controls, Clutch / 2 Of 2
Figure 6-320

| ITEM | PART NUMBER | QTY | LINE | SERIES | BODY | ENGINE | TRANS | TRIM | DESCRIPTION |
|------|-------------|-----|------|--------|------|--------|-------|------|-------------|
|------|-------------|-----|------|--------|------|--------|-------|------|-------------|

NOTE:
Sales Codes :
DD5=5 Speed Transmission
ECC=2.0L 4 Cyl DOHC 16V

| | | | | | | | | | |
|----|------------|---|---|--|--|-----|-----|--|--|
| 1 | 04796665 | 1 | | | | | DD5 | | LEVER PACKAGE, Clutch Release |
| 2 | 04670026 | 1 | | | | | DD5 | | BEARING, Clutch Release |
| 3 | 04670240 | 1 | | | | | DD5 | | PIVOT, Clutch Release Lever |
| -4 | 04670071 | 1 | | | | | DD5 | | BOOT, Clutch Release Lever |
| 5 | 04668665AA | 1 | | | | | DD5 | | ACTUATOR, Hydraulic Clutch |
| 6 | 04668632AA | 1 | C | | | | DD5 | | ACTUATOR, Hydraulic Clutch |
| 7 | 06101695 | 4 | | | | | DD5 | | NUT, Hex Flange Lock, M8x1.25 |
| 8 | 06101614 | 2 | | | | ECC | DD5 | | SCREW AND WASHER, Hex Head, M8x1.25x45 |



PT CRUISER (PT)

| SERIES | LINE | BODY | ENGINE | TRANSMISSION |
|--------------|---|----------------|--|--|
| H = HIGHLINE | Z = CHRYSLER (RHD) C = CHRYSLER, LHD | 44 = Four Door | ECC = ENGINE - 2.0L 4 CYL DOHC 16V SMPI EDZ = ENGINE - 2.4L 4 CYL DOHC 16V SMPI | DGL = TRANSMISSION - 4-SPD. AUTOMATIC, 41TE DD5 = TRANSMISSION - 5-SPEED MANUAL DDO = All Manual Transmissions DGO = All Automatics |

AR = use ase required - = Non illustrated part

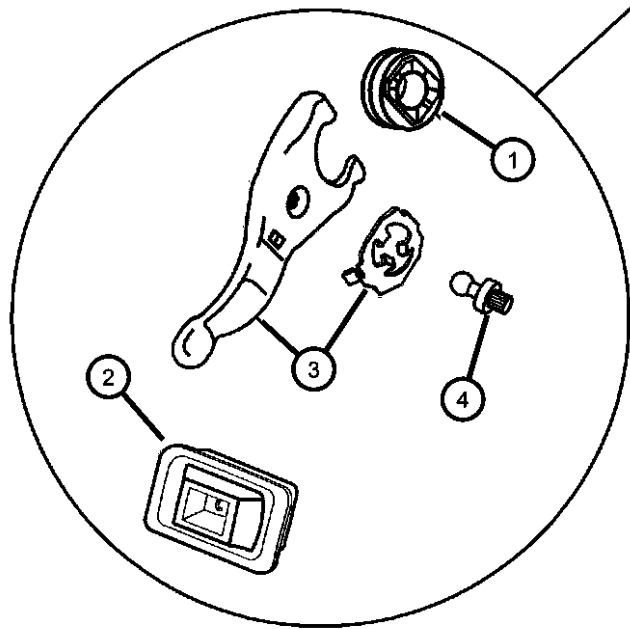
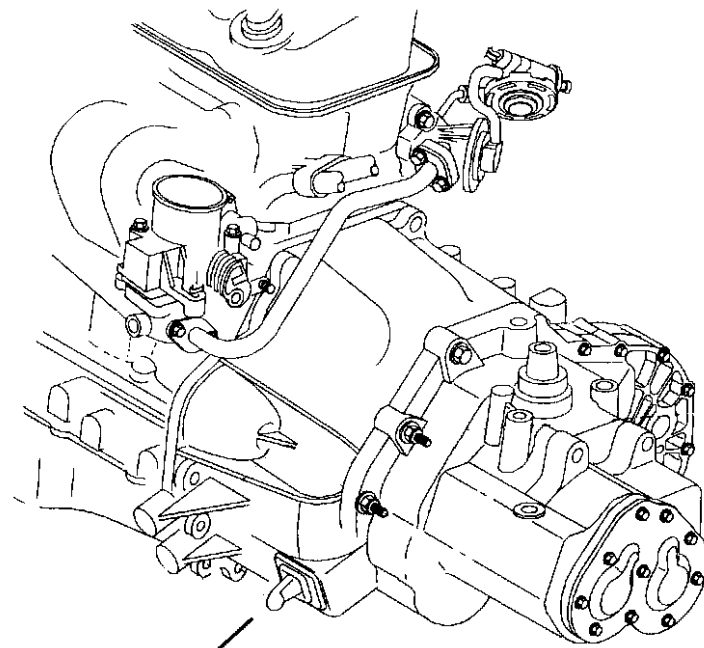
2001 PT

Controls, Release Fork & Bearing, Hydraulic Clutch, RHD
Figure 6-330

| ITEM | PART NUMBER | QTY | LINE | SERIES | BODY | ENGINE | TRANS | TRIM | DESCRIPTION |
|------|-------------|-----|------|--------|------|--------|-------|------|-------------|
|------|-------------|-----|------|--------|------|--------|-------|------|-------------|

NOTE; SALES CODES; DD5 = 5 Spd Manual Trans A578

| | | | | | | | | | |
|---|----------|---|--|--|--|--|-----|--|-------------------------------|
| 1 | 04670026 | 1 | | | | | DD5 | | BEARING, Clutch Release |
| 2 | 04670071 | 1 | | | | | DD5 | | BOOT, Clutch Release Lever |
| 3 | 04796665 | 1 | | | | | DD5 | | LEVER PACKAGE, Clutch Release |
| 4 | 04670240 | 1 | | | | | DD5 | | PIVOT, Clutch Release Lever |



PT CRUISER (PT)

| | | | | |
|--------------|---|----------------|--|--|
| SERIES | LINE | BODY | ENGINE | TRANSMISSION |
| H = HIGHLINE | Z = CHRYSLER (RHD) C = CHRYSLER, LHD | 44 = Four Door | ECC = ENGINE - 2.0L 4 CYL DOHC 16V SMPI EDZ = ENGINE - 2.4L 4 CYL DOHC 16V SMPI | DGL = TRANSMISSION - 4-SPD. AUTOMATIC, 41TE DD5 = TRANSMISSION - 5-SPEED MANUAL DDO = All Manual Transmissions DGO = All Automatics |

AR = use ase required - = Non illustrated part

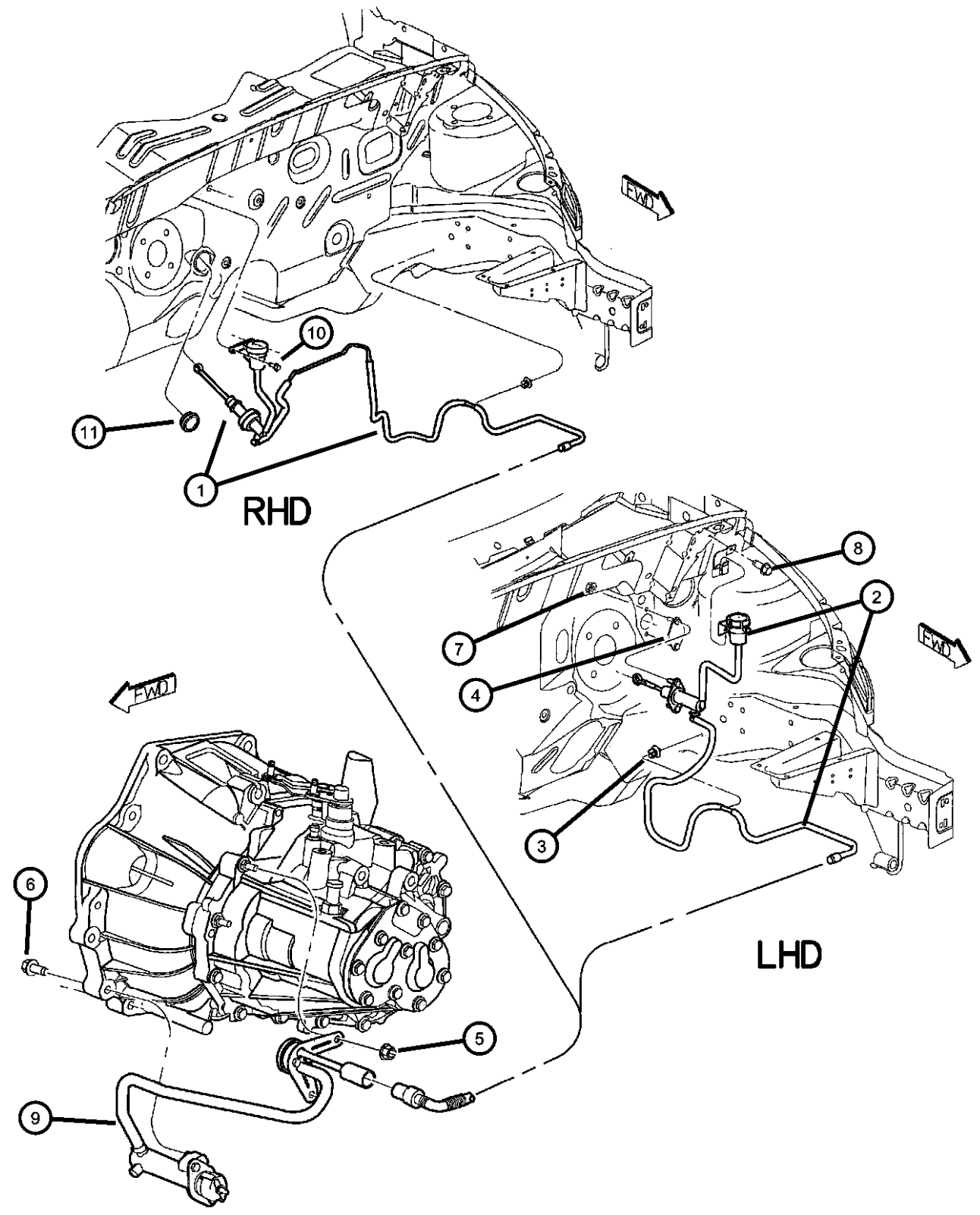
2001 PT

Controls, Master Cylinder & Slave Cylinder, Hydraulic Clutch, RHD
Figure 6-340

| ITEM | PART NUMBER | QTY | LINE | SERIES | BODY | ENGINE | TRANS | TRIM | DESCRIPTION |
|------|-------------|-----|------|--------|------|--------|-------|------|-------------|
|------|-------------|-----|------|--------|------|--------|-------|------|-------------|

NOTE;
 Sales Codes;
 DD5 = 5 Spd Manual Trans A578
 ECC = 2.0L 4 Cyl. 16 Valve
 DGL = 4 Spd Auto - 41TE

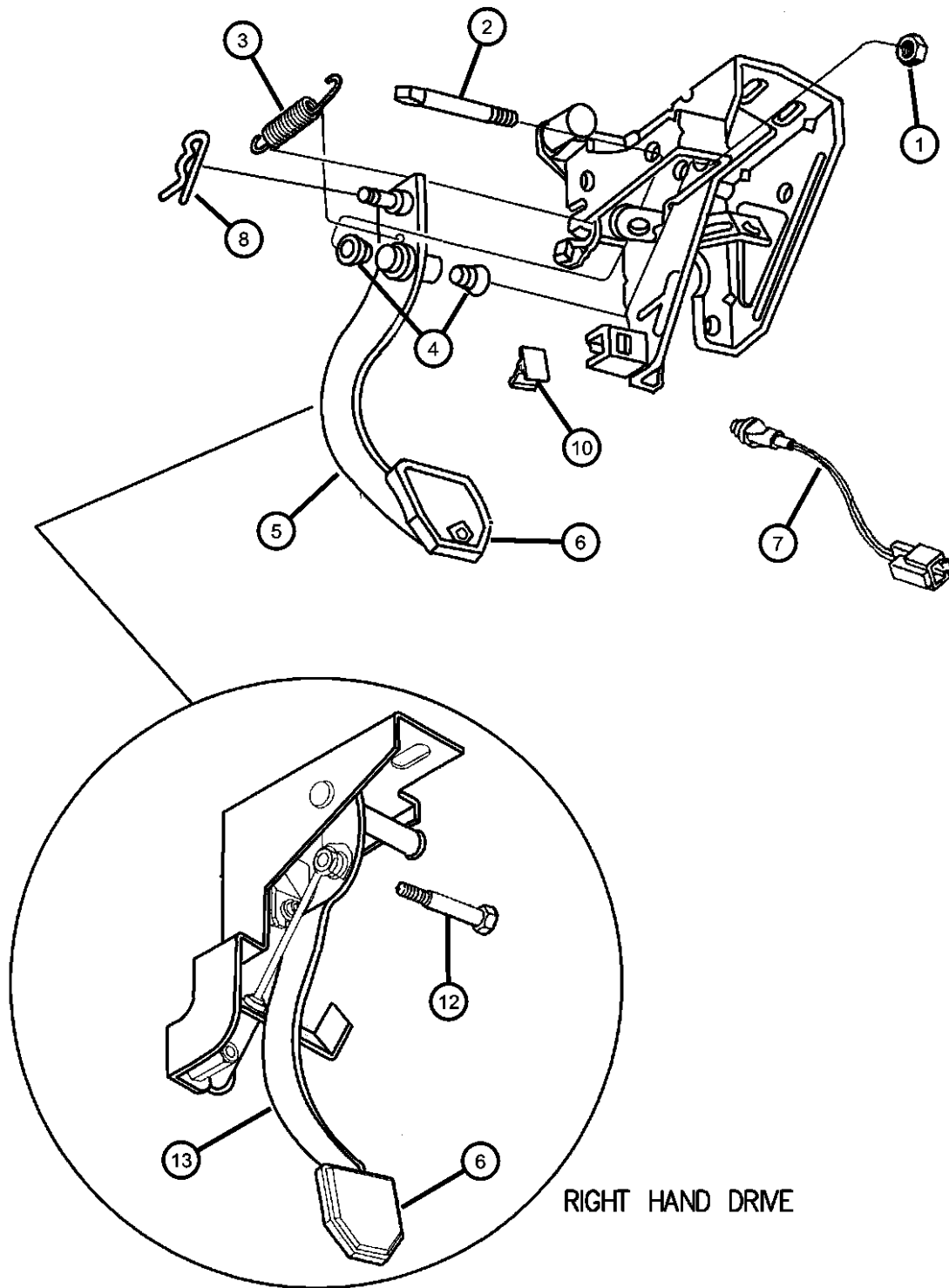
| | | | | | | | | | |
|----|------------|---|---|--|--|-----|-----|--|---|
| 1 | 04668498AB | 1 | Z | | | | DD5 | | ACTUATOR, Hydraulic Clutch |
| 2 | 04668632AA | 1 | C | | | | DD5 | | ACTUATOR, Hydraulic Clutch |
| 3 | 04670268 | 1 | | | | | DD5 | | CLIP, Clutch Tube |
| 4 | 04668637AA | 1 | C | | | | DGL | | PLATE, Brake Booster |
| 5 | 06101695 | 4 | | | | | DD5 | | NUT, Hex Flange Lock, M8x1.25 |
| 6 | 06101614 | 2 | | | | ECC | DD5 | | SCREW AND WASHER, Hex Head, M8x1.25x45 |
| 7 | 06100050 | 4 | | | | | | | NUT AND WASHER, Hex, M8x1.25 |
| 8 | 06505900AA | 1 | | | | | | | SCREW, Tapping Hex Flange Head, M6.3 x 1.81 x 19.00 |
| 9 | 04668665AA | 1 | | | | | DD5 | | ACTUATOR, Hydraulic Clutch |
| 10 | 04668665AA | 1 | | | | | | | SCREW, (NOT SERVICED) |
| 11 | 55023694 | 1 | Z | | | | DGL | | PLUG, Body, 2 Inch OD |



| | | | | |
|------------------------|---|----------------|--|--|
| PT CRUISER (PT) | | | | |
| SERIES | LINE | BODY | ENGINE | TRANSMISSION |
| H = HIGHLINE | Z = CHRYSLER (RHD) C = CHRYSLER, LHD | 44 = Four Door | ECC = ENGINE - 2.0L 4 CYL DOHC 16V SMPI EDZ = ENGINE - 2.4L 4 CYL DOHC 16V SMPI | DGL = TRANSMISSION - 4-SPD. AUTOMATIC, 41TE DD5 = TRANSMISSION - 5-SPEED MANUAL DDO = All Manual Transmissions DGO = All Automatics |

AR = use ase required - = Non illustrated part

**Clutch Pedal
Figure 6-410**



RIGHT HAND DRIVE

| ITEM | PART NUMBER | QTY | LINE | SERIES | BODY | ENGINE | TRANS | TRIM | DESCRIPTION |
|--|-------------|-----|------|--------|------|--------|-------|------|---|
| NOTE; SALES CODES; DD5 = 5 Spd Manual Trans A578 | | | | | | | | | |
| 1 | | | | | | | | | NUT, M10x1.5 |
| | 06500197 | 1 | Z | | | | DD5 | | |
| | | 1 | C | | | | DD5 | | |
| 2 | | 1 | | | | | | | SHAFT, Clutch Pedal, Serviced in the Pedal Assy - 4668638AA, (NOT SERVICED) |
| 3 | 04668641AB | 1 | C | | | | DD5 | | SPRING, Clutch Pedal Return |
| 4 | | | | | | | | | BUSHING, Pedal Shaft |
| | 02467770 | 4 | Z | | | | DD5 | | |
| | | 4 | C | | | | DD5 | | |
| 5 | 04668638AA | 1 | C | | | | DD5 | | PEDAL, Clutch |
| 6 | | | | | | | | | PAD, Clutch |
| | 04683021 | 1 | Z | | | | DD5 | | |
| | | 1 | C | | | | DD5 | | |
| 7 | | | | | | | | | SWITCH, Clutch Starter Interlock |
| | 04671756AA | 1 | C | | | | DD5 | | |
| | 04671765AB | 1 | Z | | | | DD5 | | |
| 8 | 05015626AA | 1 | | | | | | | PIN, Hair, .250 Dia x.766x.059 |
| -9 | 05015626AA | 1 | | | | | | | PIN, Cotter, M3.2x36, (NOT SERVICED) |
| 10 | 05015626AA | 1 | | | | | | | BUMPER, Clutch Pedal, (NOT SERVICED) |
| -11 | 05015626AA | 1 | | | | | | | STOPPER, Clutch and Brake Pedal, (NOT SERVICED) |
| 12 | 05015626AA | 1 | | | | | | | PIN, Clutch Pedal, (NOT SERVICED) |
| 13 | 04668349AA | 1 | Z | | | | DD5 | | PEDAL, Clutch |

PT CRUISER (PT)

SERIES LINE
H = HIGHLINE Z = CHRYSLER (RHD)
C = CHRYSLER, LHD

BODY
44 = Four Door

ENGINE TRANSMISSION
ECC = ENGINE - 2.0L 4 CYL DOHC 16V SMPI DGL = TRANSMISSION - 4-SPD. AUTOMATIC, 41TE
EDZ = ENGINE - 2.4L 4 CYL DOHC 16V SMPI DD5 = TRANSMISSION - 5-SPEED MANUAL
DDO = All Manual Transmissions
DGO = All Automatics

AR = use ase required - = Non illustrated part

2001 PT

Group - 7

Cooling

Group - 7 Cooling

Group-Fig. No.

Illustration Title

Radiator and Related Parts

Radiator and Related Parts Fig. 7 - 110

Water Pump and Related Parts

Water Pump and Related Parts Fig. 7 - 203

Tank, Coolant Engine

Tank, Coolant Reserve Fig. 7 - 310

Pulleys and Related Parts

Pulleys and Related Parts Fig. 7 - 403

Drive Belts

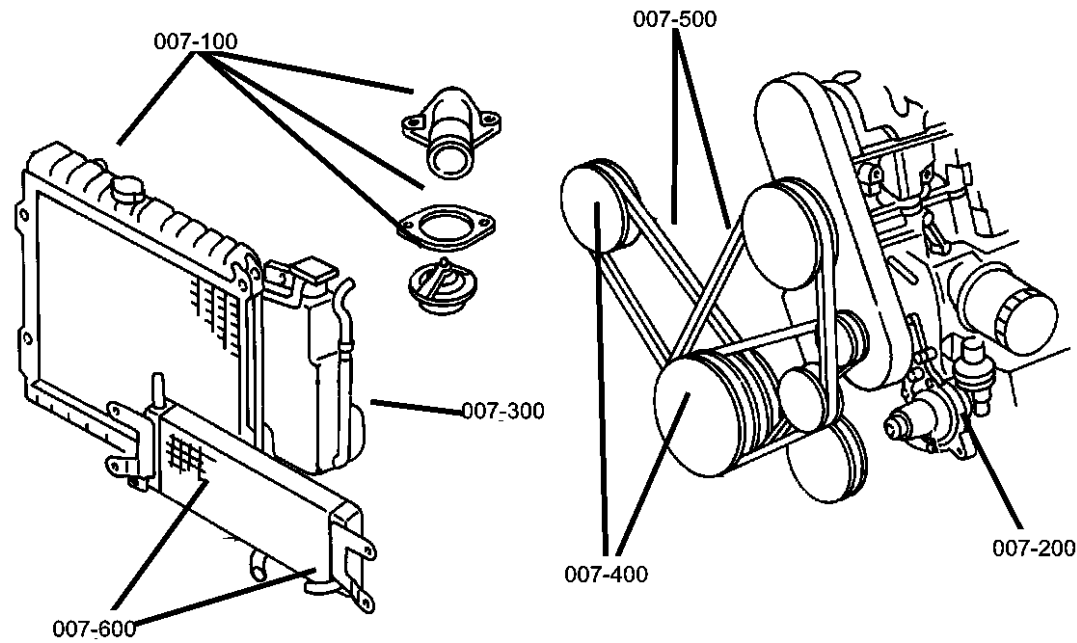
Belts, Drive Fig. 7 - 510

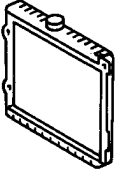


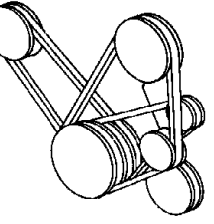
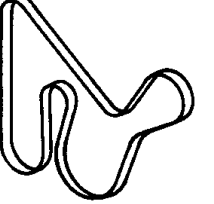
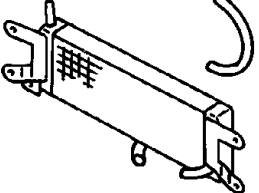
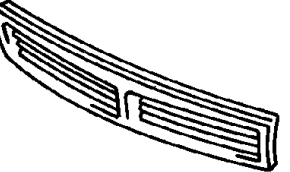
Lines, Transmission Oil Cooler

Cooler and Lines Fig. 7 - 610

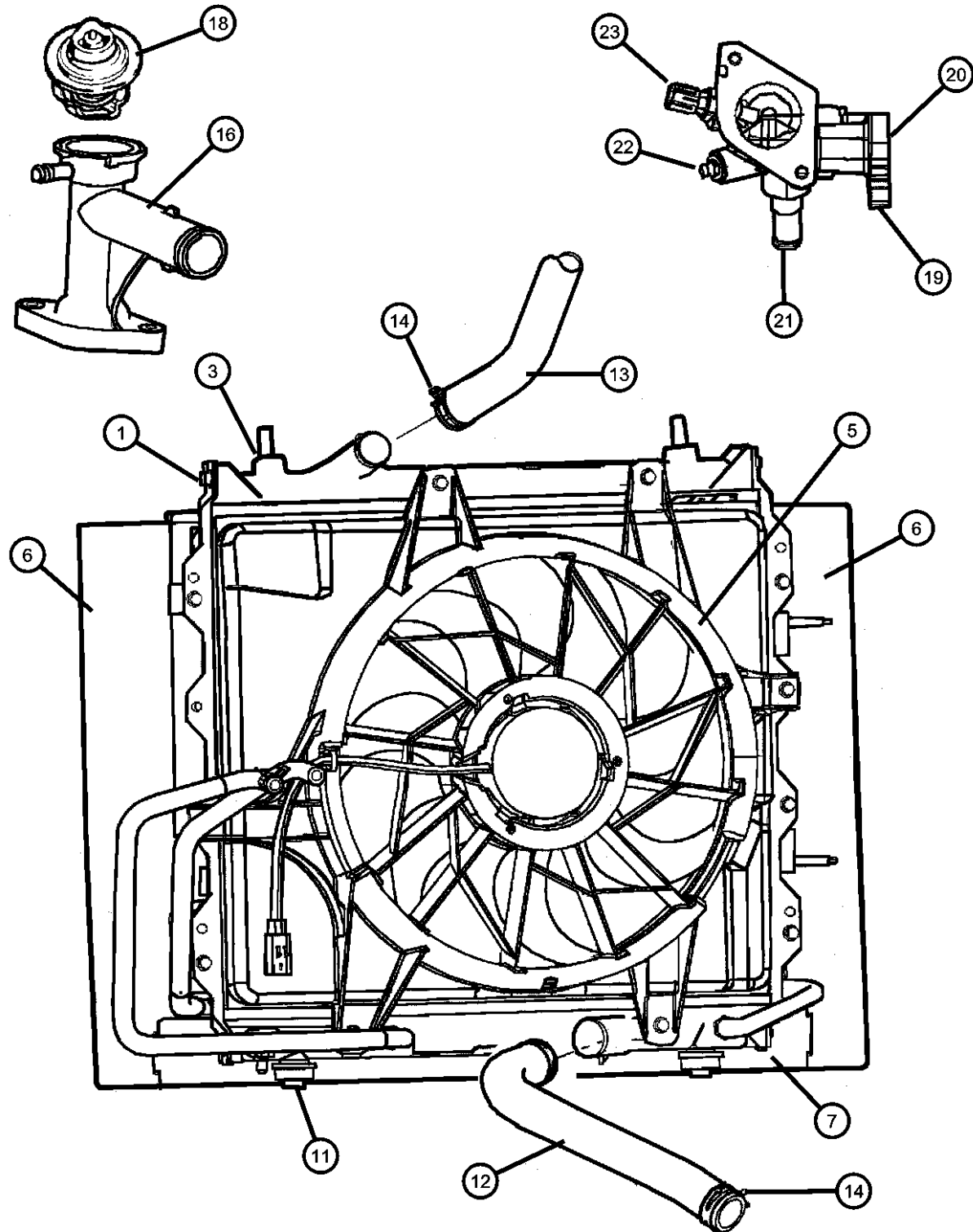
Grilles

Grille and Related Parts Fig. 7 - 710



| | | | |
|--|--|---|---|
| <p>007-100 Radiator and Related Parts</p>  | <p>007-200 Water Pump and Related Parts</p>  | <p>007-300 Tank, Coolant Engine</p>  | <p>007-400 Pulleys and Related Parts</p>  |
| <p>007-500 Drive Belts</p>  | <p>007-600 Lines, Transmission Oil Cooler</p>  | <p>007-700 Grilles</p>  | |

Radiator and Related Parts
Figure 7-110



| ITEM | PART NUMBER | QTY | LINE | SERIES | BODY | ENGINE | TRANS | TRIM | DESCRIPTION |
|------|-------------|-----|------|--------|------|----------|-------|------|--|
| 1 | | | | | | | | | RADIATOR, Engine Cooling, with side brackets |
| | 05017404AB | 1 | | | | ECC, EDZ | DD5 | | |
| | 05066386aa | | | | | | | | Mopar Coolant 5 Year/100,000 Mile Formula 1 Gallon |
| | | 1 | | | | ECC, EDZ | DGL | | |
| | 05066386aa | | | | | | | | Mopar Coolant 5 Year/100,000 Mile Formula 1 Gallon |
| -2 | | | | | | | | | CAP, Radiator |
| | 05278697AA | 1 | | | | EDZ | | | |
| | | 1 | | | | ECC | | | |
| 3 | 05278200AA | 2 | | | | | | | ISOLATOR, Radiator, Upper |
| -4 | | | | | | | | | CONDENSER KIT, Air Conditioning |
| | 05017405AA | 1 | | | | ECC, EDZ | DGL | | |
| | | 1 | | | | ECC, EDZ | DD5 | | |
| 5 | | | | | | | | | FAN MODULE, Radiator Cooling |
| | 05017407AA | 1 | | | | ECC, EDZ | DGL | | |
| | | 1 | | | | ECC, EDZ | DD5 | | |
| 6 | | | | | | | | | SEAL, Radiator Side Air |
| | 05017408AA | 2 | | | | ECC, EDZ | DD5 | | |
| | | 2 | | | | ECC, EDZ | DGL | | |
| 7 | | | | | | | | | SEAL, Radiator Lower |
| | 05017409AA | 1 | | | | | DGL | | |
| | | 1 | | | | | DD5 | | |
| -8 | | | | | | | | | PIN, Push, Radiator Seal |
| | 05017410AA | 3 | | | | ECC, EDZ | DGL | | |
| | | 3 | | | | ECC, EDZ | DD5 | | |
| -9 | 05017411AA | 10 | | | | ECC, EDZ | | | SCREW, M6x1.0 |
| -10 | 06504118 | 2 | | | | | | | U-NUT, M6 x 1.00, M6x1.00 |
| 11 | 05278199AA | 2 | | | | ECC, EDZ | | | ISOLATOR, Cooling Module Mounting |
| 12 | 05278202AA | 1 | | | | | | | HOSE, Radiator Outlet |

NOTE:

Sales Codes:

ECC = 2.0L DOHC 16V

EDZ = 2.4L 4 CYL DOHC 16V

DGL = TRANSMISSION - AUTOMATIC 4-SPD, 41TE

DD5 = TRANSMISSION - PERF. MANUAL 5-SPEED

PT CRUISER (PT)

SERIES

H = HIGHLINE

LINE

Z = CHRYSLER (RHD)

C = CHRYSLER, LHD

BODY

44 = Four Door

ENGINE

ECC = ENGINE - 2.0L 4 CYL

DOHC 16V SMPI

EDZ = ENGINE - 2.4L 4 CYL

DOHC 16V SMPI

TRANSMISSION

DGL = TRANSMISSION - 4-SPD.

AUTOMATIC, 41TE

DD5 = TRANSMISSION - 5-SPEED

MANUAL

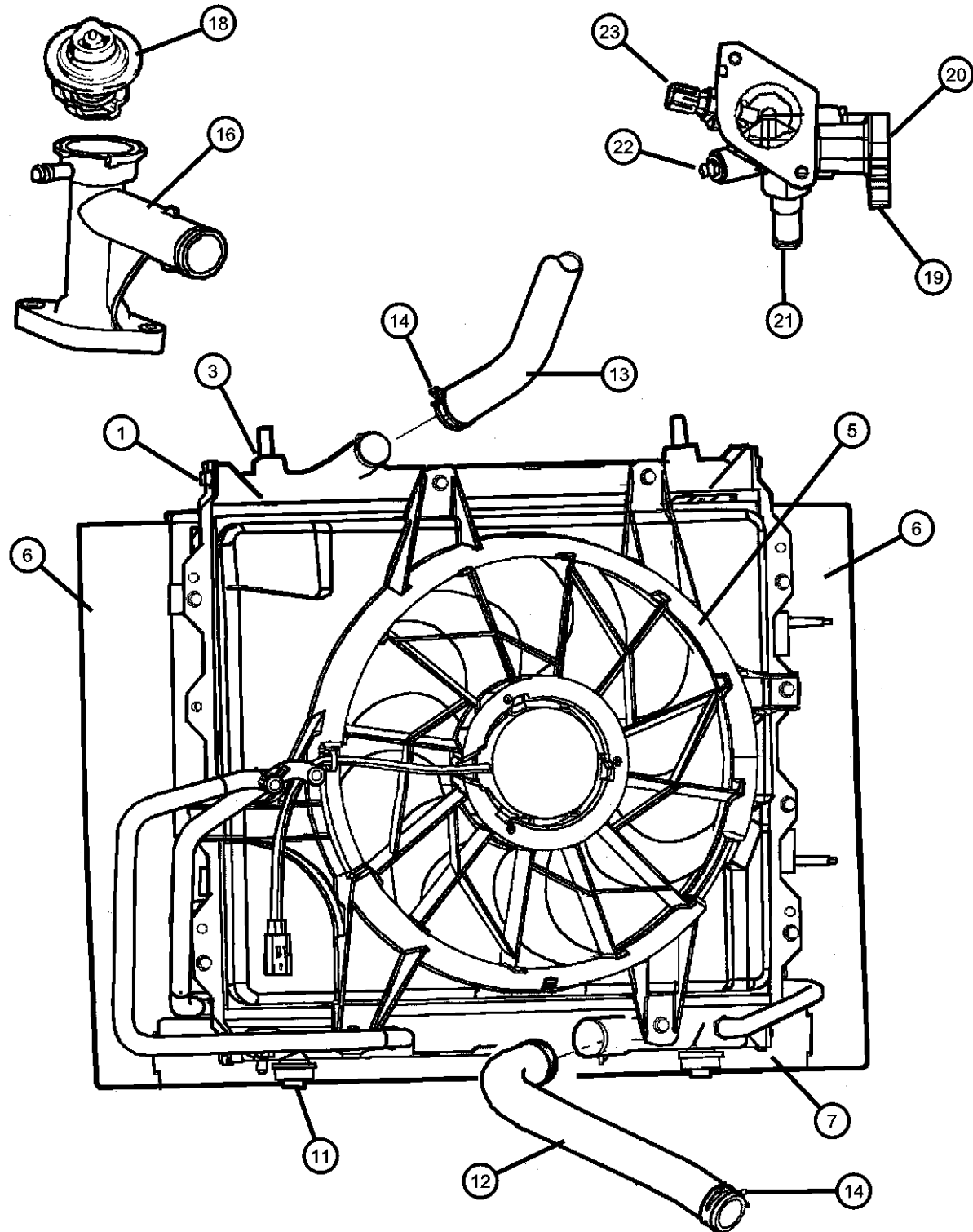
DDO = All Manual Transmissions

DGO = All Automatics

AR = use ase required - = Non illustrated part

2001 PT

Radiator and Related Parts
Figure 7-110



| ITEM | PART NUMBER | QTY | LINE | SERIES | BODY | ENGINE | TRANS | TRIM | DESCRIPTION |
|------|-------------|-----|------|--------|------|----------|-------|------|---|
| 13 | 05278201AC | 1 | | | | ECC | | | HOSE, Radiator Inlet |
| | | 1 | | | | EDZ | | | |
| 14 | | 1 | | | | | | | CLAMP, Hose, (NOT SERVICED) |
| -15 | 04644269 | 1 | | | | ECC, EDZ | DGL | | DRAINCOCK, Radiator |
| | | 1 | | | | ECC, EDZ | DD5 | | |
| 16 | 05278203AA | 1 | | | | ECC | | | CONNECTOR, Engine Coolant Outlet |
| | | 1 | | | | EDZ | | | |
| -17 | 04596198 | 1 | | | | EDZ | | | CAP, Radiator |
| | | 1 | | | | ECC | | | |
| 18 | 05278144AA | 1 | | | | EDZ | | | THERMOSTAT, With Seal |
| | | 1 | | | | ECC | | | |
| 19 | 04884004AA | 1 | | | | ECC | | | CONNECTOR, Engine Coolant Outlet, Adapter |
| | | 1 | | | | EDZ | | | |
| 20 | 04792491AA | 1 | | | | ECC | | | GASKET, Coolant Outlet |
| | | 1 | | | | EDZ | | | |
| 21 | 04621653 | 1 | | | | EDZ | | | NIPPLE, Heater Return |
| | | 1 | | | | ECC | | | |
| 22 | 03780788 | 1 | | | | EDZ | | | SCREW, Bleeder |
| | | 1 | | | | ECC | | | |
| 23 | 05269870AB | 1 | | | | EDZ | | | SENSOR, Coolant Temperature |
| | | 1 | | | | ECC | | | |
| -24 | | | | | | | | | SCREW, Hex Flange Head, M8x1.25x32 |

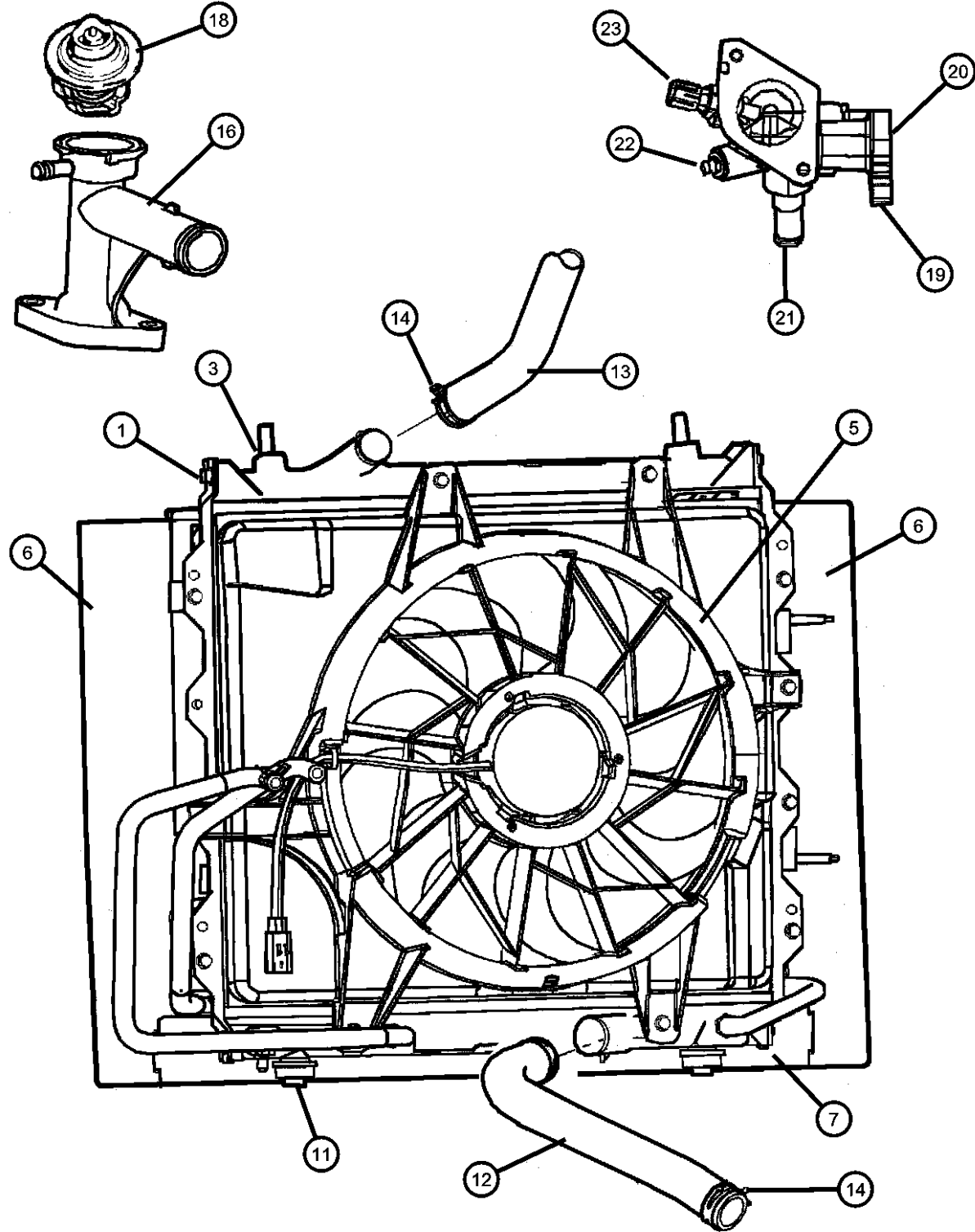
PT CRUISER (PT)

| | | | | |
|--------------|---|----------------|--|--|
| SERIES | LINE | BODY | ENGINE | TRANSMISSION |
| H = HIGHLINE | Z = CHRYSLER (RHD) C = CHRYSLER, LHD | 44 = Four Door | ECC = ENGINE - 2.0L 4 CYL DOHC 16V SMPI EDZ = ENGINE - 2.4L 4 CYL DOHC 16V SMPI | DGL = TRANSMISSION - 4-SPD. AUTOMATIC, 41TE DD5 = TRANSMISSION - 5-SPEED MANUAL DDO = All Manual Transmissions DGO = All Automatics |

AR = use ase required - = Non illustrated part

2001 PT

Radiator and Related Parts
Figure 7-110



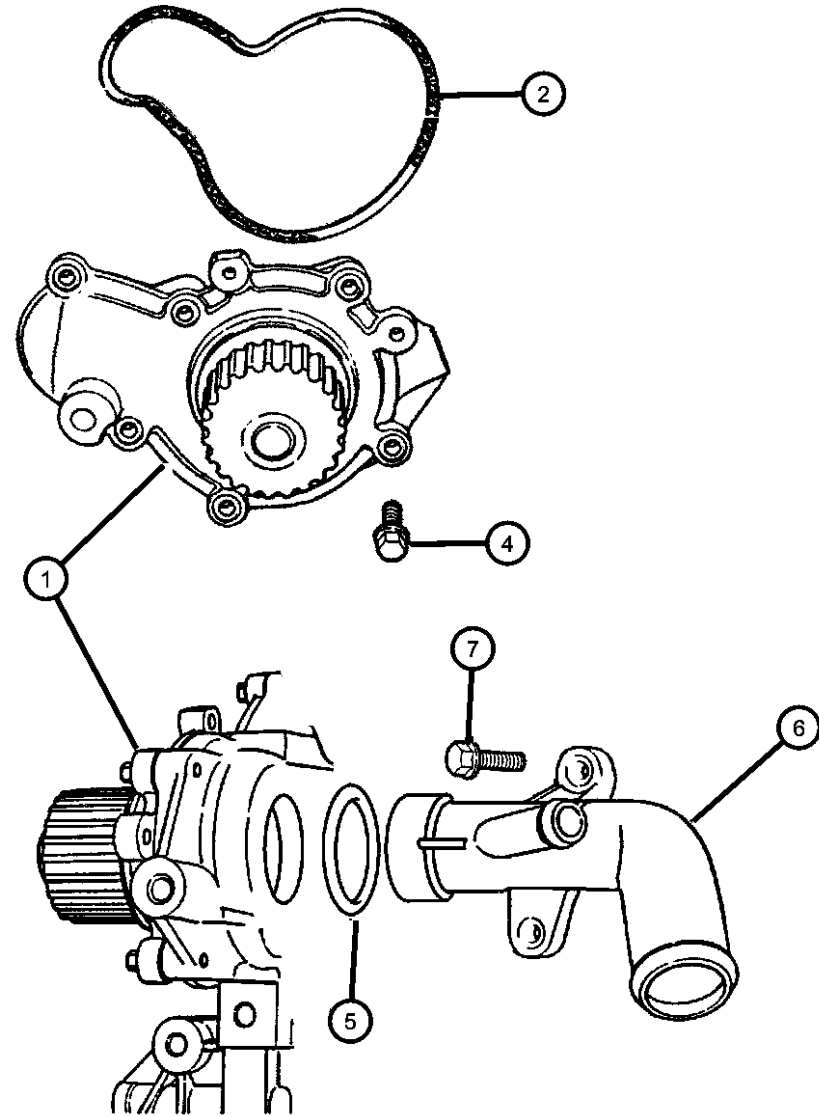
| ITEM | PART NUMBER | QTY | LINE | SERIES | BODY | ENGINE | TRANS | TRIM | DESCRIPTION |
|------|-------------|-----|------|--------|------|--------|-------|------|---------------------------------|
| | 06504171 | 3 | | | | EDZ | | | |
| | | 3 | | | | ECC | | | |
| -25 | 05264819AA | 1 | | | | | | | DECAL, A/C System Specification |

PT CRUISER (PT)

| | | | | |
|--------------|---|----------------|--|--|
| SERIES | LINE | BODY | ENGINE | TRANSMISSION |
| H = HIGHLINE | Z = CHRYSLER (RHD) C = CHRYSLER, LHD | 44 = Four Door | ECC = ENGINE - 2.0L 4 CYL DOHC 16V SMPI EDZ = ENGINE - 2.4L 4 CYL DOHC 16V SMPI | DGL = TRANSMISSION - 4-SPD. AUTOMATIC, 41TE DD5 = TRANSMISSION - 5-SPEED MANUAL DDO = All Manual Transmissions DGO = All Automatics |

AR = use ase required - = Non illustrated part

**Water Pump and Related Parts
Figure 7-203**



| ITEM | PART NUMBER | QTY | LINE | SERIES | BODY | ENGINE | TRANS | TRIM | DESCRIPTION |
|---|-------------|-----|------|--------|------|--------|-------|------|---|
| NOTE:Sales Codes: [ECC] = 2.0L DOHC [EDZ] = 2.4L DOHC 16V | | | | | | | | | |
| 1 | 04667660 | 1 | | | | ECC | | | PUMP, Water |
| | 04694307AB | 1 | | | | EDZ | | | |
| 2 | 04621564 | 1 | | | | EDZ | | | SEAL, Water Pump Body |
| | 04667663 | 1 | | | | ECC | | | |
| -3 | 04621653 | 1 | | | | EDZ | | | NIPPLE, Heater Return |
| | | 1 | | | | ECC | | | |
| 4 | 06503255 | 4 | | | | EDZ | | | BOLT, Hex Head, M6x1.0x22 |
| | | 6 | | | | ECC | | | |
| 5 | 06503180 | 1 | | | | EDZ | | | O RING, Water Inlet Tube |
| | | 1 | | | | ECC | | | |
| 6 | 04621491AB | 1 | | | | EDZ | | | TUBE, Water Inlet |
| | 04884027AA | 1 | | | | ECC | | | |
| 7 | 06100267 | 2 | C, Z | | | ECC | | | BOLT AND CONED WASHER, Hex Head, M6x25x12.5 |

PT CRUISER (PT)

| | | | | |
|--------------|---|----------------|--|---|
| SERIES | LINE | BODY | ENGINE | TRANSMISSION |
| H = HIGHLINE | Z = CHRYSLER (RHD) C = CHRYSLER, LHD | 44 = Four Door | ECC = ENGINE - 2.0L 4 CYL DOHC 16V SMPI EDZ = ENGINE - 2.4L 4 CYL DOHC 16V SMPI | DGL = TRANSMISSION - 4-SPD. AUTOMATIC,41TE DD5 = TRANSMISSION - 5-SPEED MANUAL DDO = All Manual Transmissions DGO = All Automatics |

AR = use ase required - = Non illustrated part

2001 PT

**Tank, Coolant Reserve
Figure 7-310**

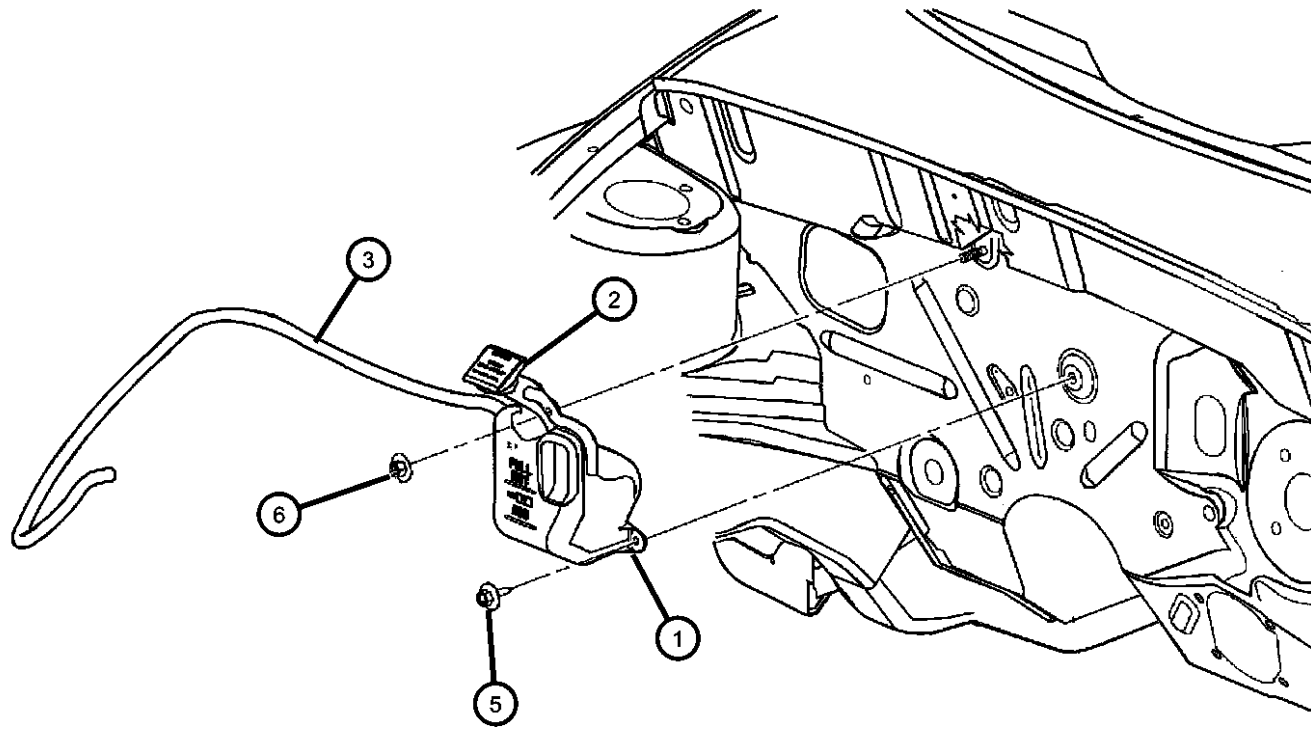
| ITEM | PART NUMBER | QTY | LINE | SERIES | BODY | ENGINE | TRANS | TRIM | DESCRIPTION |
|------|-------------|-----|------|--------|------|--------|-------|------|-------------|
|------|-------------|-----|------|--------|------|--------|-------|------|-------------|

Note:

ECC=2.0L 4 Cyl DOHC 16V

EDZ=2.4L 4 Cyl DOHC 16V

| | | | | | | | | | |
|----|------------|---|--|--|--|--|--|--|---|
| 1 | 05278709AC | 1 | | | | | | | BOTTLE, Coolant Reserve |
| 2 | 52028612 | 1 | | | | | | | CAP, Coolant Reserve Tank |
| 3 | 05278775AA | 1 | | | | | | | TUBE, Coolant Reserve Tank |
| -4 | 02448761 | 1 | | | | | | | CLAMP, Hose |
| 5 | 06034716 | 1 | | | | | | | SCREW AND WASHER, Hex Flange Head, .25-14x.875 |
| 6 | 06503676 | 1 | | | | | | | NUT, Hex Flange, M6x1 |



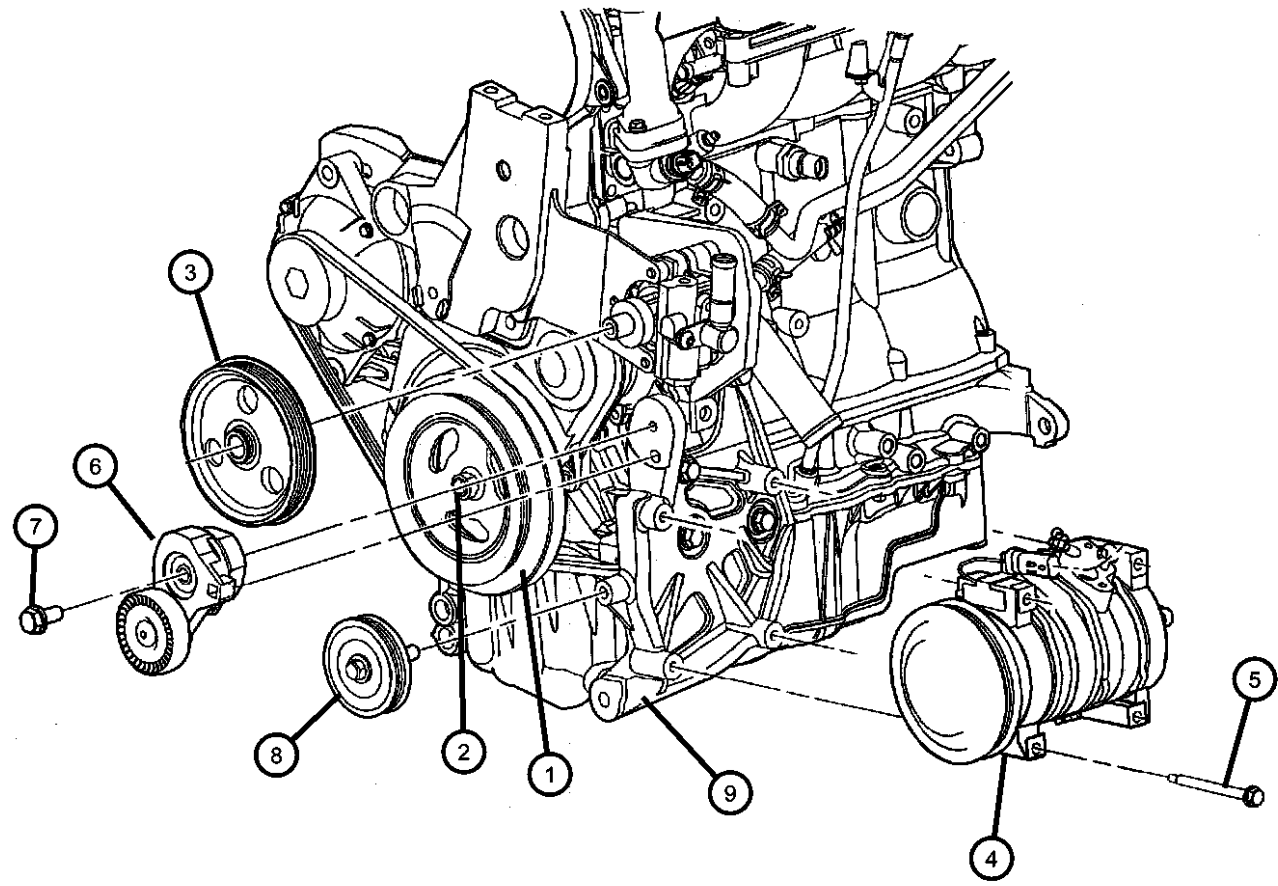
PT CRUISER (PT)

| | | | | |
|--------------|---|----------------|--|--|
| SERIES | LINE | BODY | ENGINE | TRANSMISSION |
| H = HIGHLINE | Z = CHRYSLER (RHD) C = CHRYSLER, LHD | 44 = Four Door | ECC = ENGINE - 2.0L 4 CYL DOHC 16V SMPI EDZ = ENGINE - 2.4L 4 CYL DOHC 16V SMPI | DGL = TRANSMISSION - 4-SPD. AUTOMATIC, 41TE DD5 = TRANSMISSION - 5-SPEED MANUAL DDO = All Manual Transmissions DGO = All Automatics |

AR = use ase required - = Non illustrated part

2001 PT

**Pulleys and Related Parts
Figure 7-403**



| ITEM | PART NUMBER | QTY | LINE | SERIES | BODY | ENGINE | TRANS | TRIM | DESCRIPTION |
|------|-------------|-----|------|--------|------|----------|-------|------|---|
| 1 | | | | | | | | | DAMPER, Crankshaft |
| | 04777618AB | 1 | | | | EDZ | | | |
| | | 1 | | | | ECC | | | |
| 2 | | | | | | | | | BOLT, Hex Flange Head, M12x1.75x87.50 |
| | 06503553 | 1 | | | | EDZ | | | |
| | | 1 | | | | ECC | | | |
| 3 | | | | | | | | | PULLEY, Power Steering Pump |
| | 04668252 | 1 | | | | ECC | | | |
| | 04668448AA | 1 | | | | EDZ | | | |
| 4 | | | | | | | | | COMPRESSOR, Air Conditioning |
| | 05278558AA | 1 | | | | | DGL | | |
| | 05278724AA | 1 | | | | | DD5 | | |
| 5 | 06503219 | 4 | | | | ECC, EDZ | | | SCREW AND WASHER, Hex Head, M8x1.25x100 |
| 6 | | | | | | | | | TENSIONER, Belt |
| | 04668509AB | 1 | | | | EDZ | | | |
| | 04668519AC | 1 | | | | ECC | | | |
| 7 | 06101763 | 1 | | | | EDZ | | | BOLT AND WASHER, Hex Head, M10x1.5 |
| 8 | 04668588AA | 1 | | | | EDZ | | | PULLEY, A/C Belt Idler |
| 9 | | | | | | | | | BRACKET, Torque Reaction |
| | 04668194AB | 1 | | | | ECC | DGL | | |
| | 04668383AC | 1 | | | | EDZ | DGL | | |
| | 04668687AB | 1 | | | | EDZ | DD5 | | |
| | 04668688AA | 1 | | | | ECC | DD5 | | |

PT CRUISER (PT)

| | | | | |
|--------------|---|----------------|--|--|
| SERIES | LINE | BODY | ENGINE | TRANSMISSION |
| H = HIGHLINE | Z = CHRYSLER (RHD) C = CHRYSLER, LHD | 44 = Four Door | ECC = ENGINE - 2.0L 4 CYL DOHC 16V SMPI EDZ = ENGINE - 2.4L 4 CYL DOHC 16V SMPI | DGL = TRANSMISSION - 4-SPD. AUTOMATIC, 41TE DD5 = TRANSMISSION - 5-SPEED MANUAL DDO = All Manual Transmissions DGO = All Automatics |

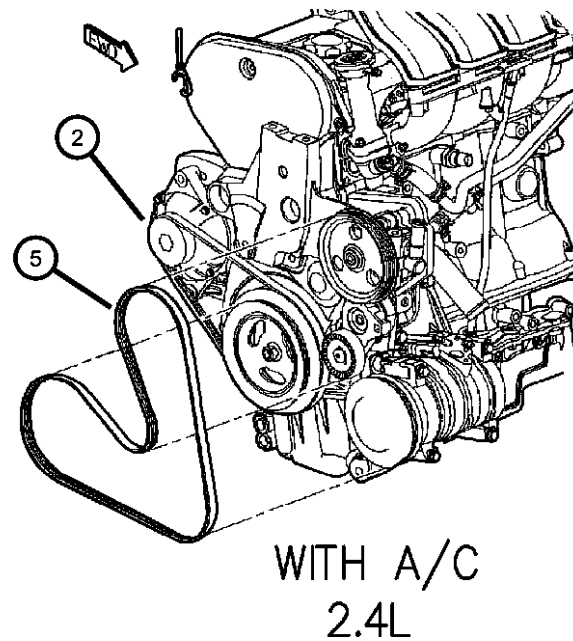
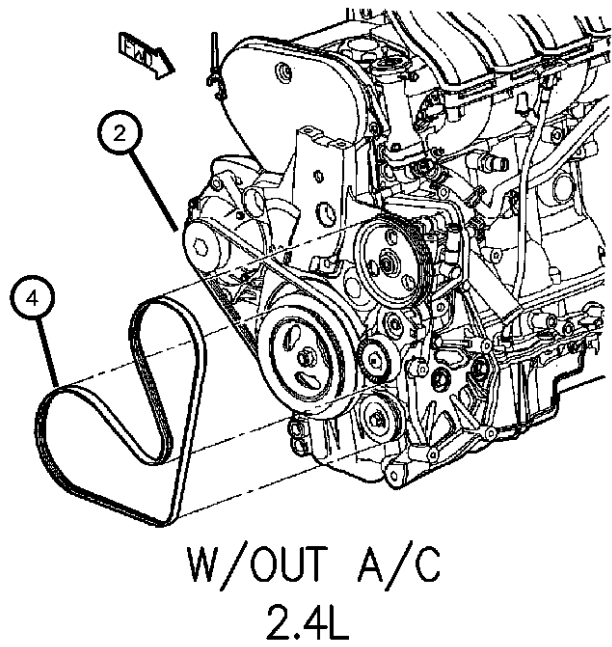
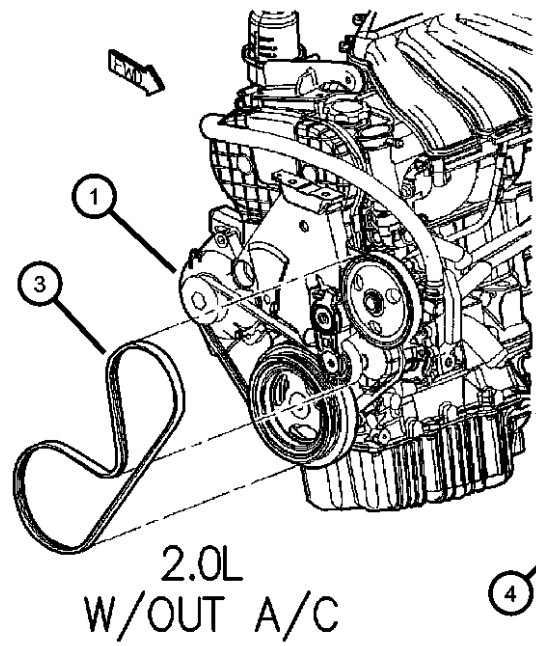
AR = use ase required - = Non illustrated part

**Belts, Drive
Figure 7-510**

| ITEM | PART NUMBER | QTY | LINE | SERIES | BODY | ENGINE | TRANS | TRIM | DESCRIPTION |
|------|-------------|-----|------|--------|------|--------|-------|------|-------------|
|------|-------------|-----|------|--------|------|--------|-------|------|-------------|

NOTE:
Sales Code:
ECC = 2.0L 4 CYL DOHC 16V
EDZ = 2.4L 4 CYL DOHC 16V

| | | | | | | | | | |
|---|------------|---|--|--|--|-----|--|--|---------------------------------------|
| 1 | 04668241 | 1 | | | | ECC | | | BELT, Alternator Drive, 2.0L |
| 2 | 04668380AA | 1 | | | | EDZ | | | BELT, Alternator Drive, 2.4L |
| 3 | 04668249AB | 1 | | | | ECC | | | BELT, Power Steering |
| 4 | | | | | | | | | BELT, Accessory Drive |
| | 04668247AB | 1 | | | | ECC | | | |
| | | 1 | | | | EDZ | | | Heater only |
| 5 | 04668382AB | 1 | | | | EDZ | | | BELT, Accessory DriveAir Conditioning |



PT CRUISER (PT)

SERIES LINE
H = HIGHLINE Z = CHRYSLER (RHD)
C = CHRYSLER, LHD

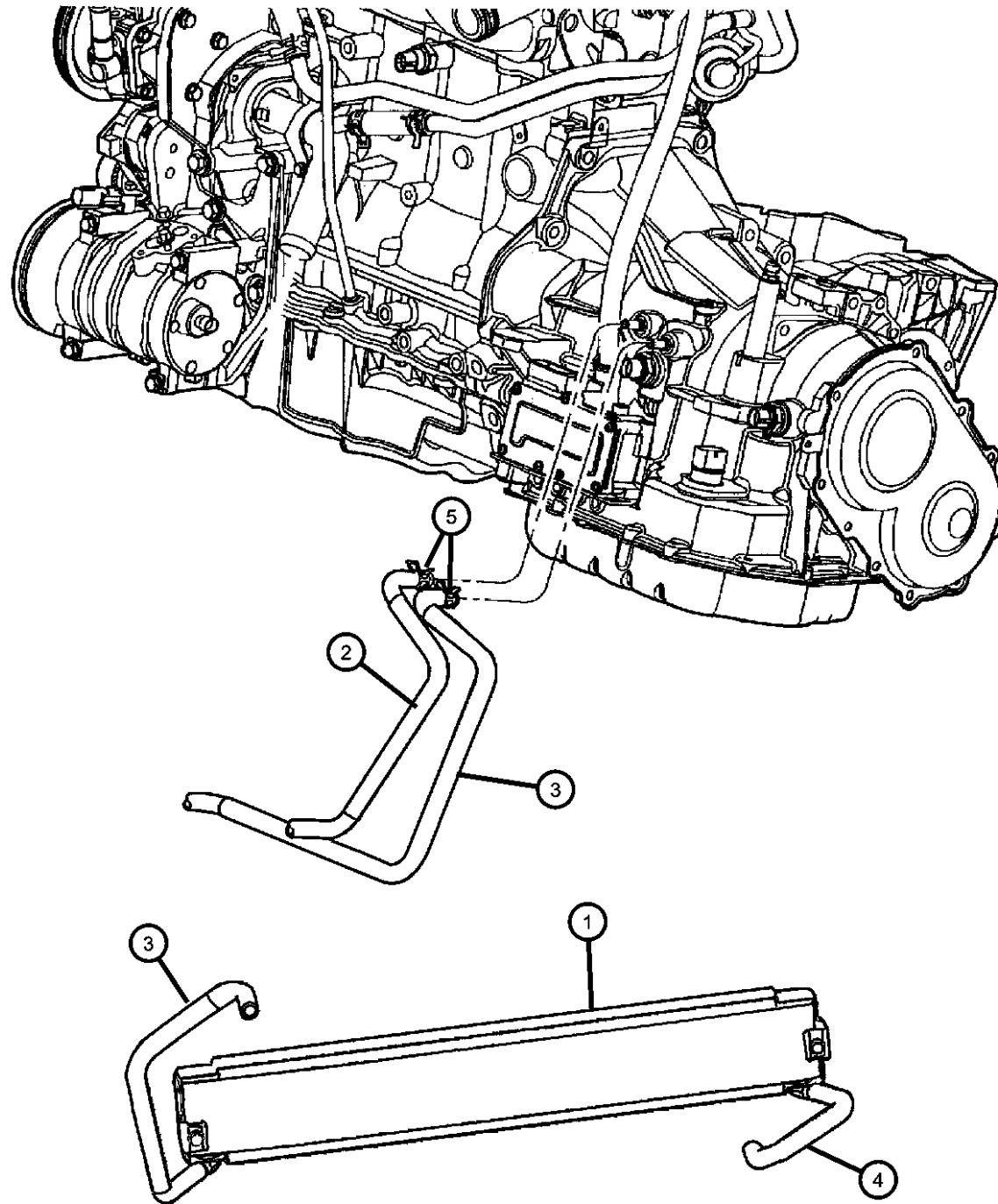
BODY
44 = Four Door

ENGINE TRANSMISSION
ECC = ENGINE - 2.0L 4 CYL DOHC 16V SMPI
EDZ = ENGINE - 2.4L 4 CYL DOHC 16V SMPI
DGL = TRANSMISSION - 4-SPD. AUTOMATIC, 41TE
DD5 = TRANSMISSION - 5-SPEED MANUAL
DDO = All Manual Transmissions
DGO = All Automatics

AR = use ase required - = Non illustrated part

2001 PT

**Cooler and Lines
Figure 7-610**



| ITEM | PART NUMBER | QTY | LINE | SERIES | BODY | ENGINE | TRANS | TRIM | DESCRIPTION |
|------|-------------|-----|------|--------|------|--------|-------|------|-------------|
|------|-------------|-----|------|--------|------|--------|-------|------|-------------|

NOTE:
Sales Code:
ECC=2.0L 4 Cyl. DOHC
EDZ=2.4L 4 Cyl. DOHC
DGL=TRANSMISSION - 4-SPD. AUTOMATIC,41TE

| | | | | | | | | | |
|---|------------|---|--|--|--|----------|-----|--|-------------------------------|
| 1 | 05017406AA | 1 | | | | ECC, EDZ | DGL | | COOLER, Auxiliary Oil |
| 2 | 05278249AA | 1 | | | | ECC, EDZ | DGL | | HOSE, Transmission Oil Outlet |
| 3 | 05278248AA | 1 | | | | ECC, EDZ | DGL | | HOSE, Transmission Oil Inlet |
| 4 | 05017412AA | 1 | | | | ECC, EDZ | DGL | | HOSE, Transmission Oil Cooler |
| 5 | 05017412AA | 1 | | | | | | | CLAMP, (NOT SERVICED) |

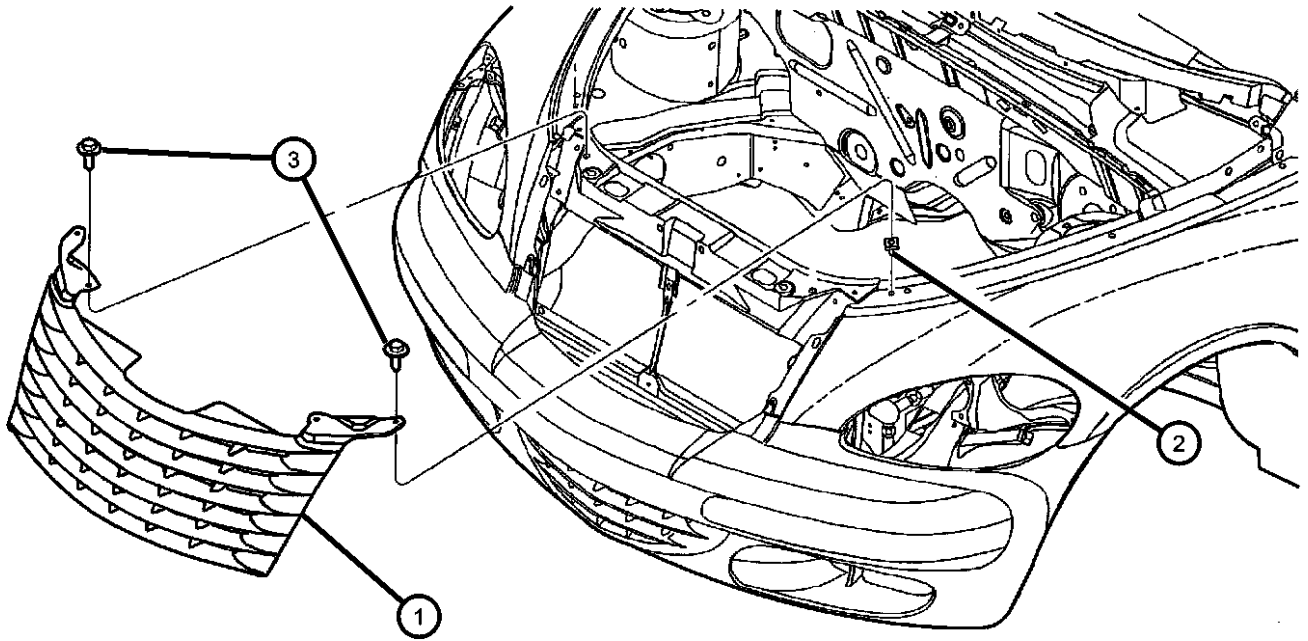
PT CRUISER (PT)

| SERIES | LINE | BODY | ENGINE | TRANSMISSION |
|--------------|---|----------------|--|---|
| H = HIGHLINE | Z = CHRYSLER (RHD) C = CHRYSLER, LHD | 44 = Four Door | ECC = ENGINE - 2.0L 4 CYL DOHC 16V SMPI EDZ = ENGINE - 2.4L 4 CYL DOHC 16V SMPI | DGL = TRANSMISSION - 4-SPD. AUTOMATIC,41TE DD5 = TRANSMISSION - 5-SPEED MANUAL DDO = All Manual Transmissions DGO = All Automatics |

AR = use ase required - = Non illustrated part

2001 PT

**Grille and Related Parts
Figure 7-710**



| ITEM | PART NUMBER | QTY | LINE | SERIES | BODY | ENGINE | TRANS | TRIM | DESCRIPTION |
|------|-------------|-----|------|--------|------|--------|-------|------|---|
| 1 | | | | | | | | | GRILLE, Radiator |
| | 0RH78YY6AB | 1 | | | | | | | [Y6] |
| | 0RH78DX8AD | 1 | | | | | | | [X8] |
| | 0RH78SW1AD | 1 | | | | | | | [W1] |
| | 0RH78TTKAD | 1 | | | | | | | [TK] |
| | 0RH78VM-TAD | 1 | | | | | | | [MT] |
| | 0RH78WB7AD | 1 | | | | | | | [B7] |
| | 0RH78WE-LAD | 1 | | | | | | | [EL] |
| | 0RH78WS2AD | 1 | | | | | | | [S2] |
| | 0RH78XGRAD | 1 | | | | | | | [GR] |
| | 0RH78XQWAD | 1 | | | | | | | [QW] |
| 2 | 06035802 | 2 | | | | | | | NUT, Spring, Grille to Fender .164-18 |
| 3 | | | | | | | | | SCREW AND WASHER, Tapping Hex Head, M4.2x1.41x20 |
| | 06506161AA | 2 | | | | | | | Grille to Fender |
| | | 2 | | | | | | | Grille to Crossmember |

PT CRUISER (PT)

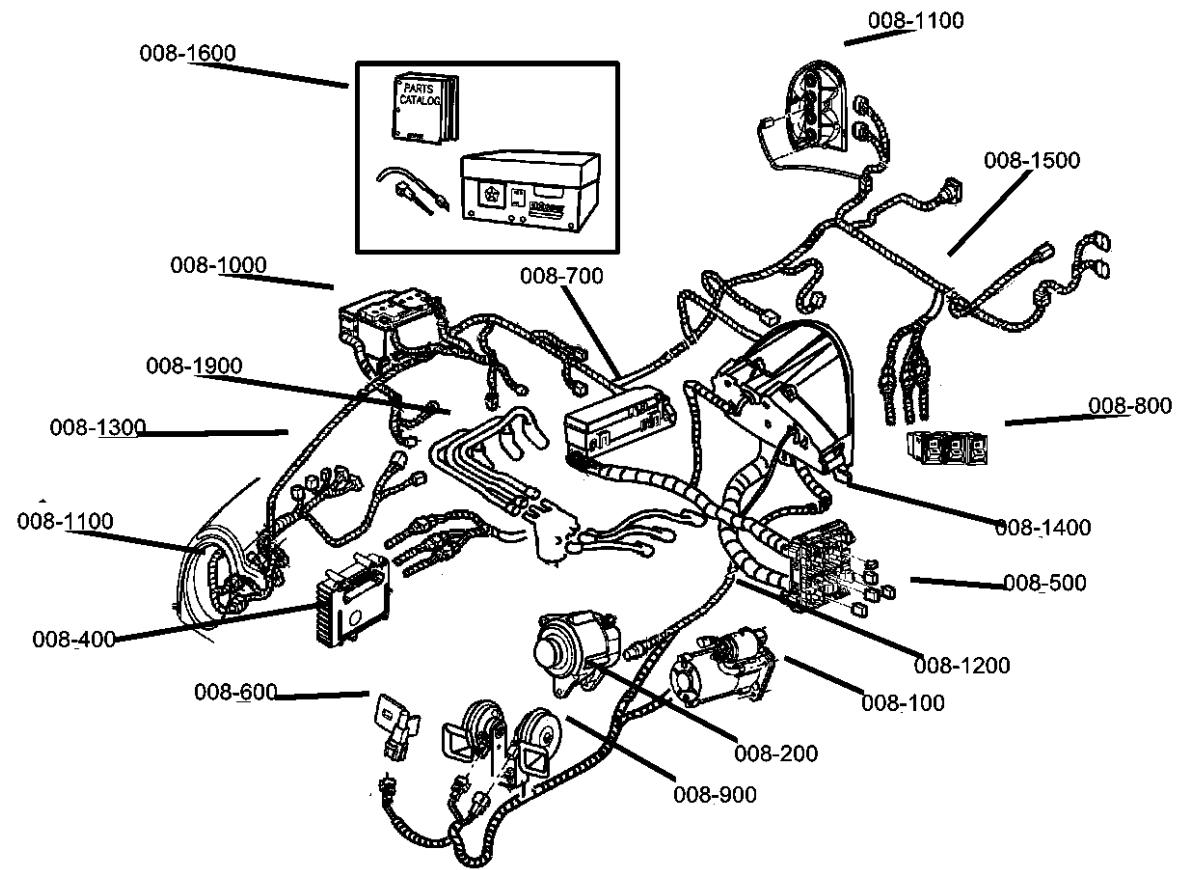
| SERIES | LINE | BODY | ENGINE | TRANSMISSION |
|--------------|---|----------------|--|--|
| H = HIGHLINE | Z = CHRYSLER (RHD) C = CHRYSLER, LHD | 44 = Four Door | ECC = ENGINE - 2.0L 4 CYL DOHC 16V SMPI EDZ = ENGINE - 2.4L 4 CYL DOHC 16V SMPI | DGL = TRANSMISSION - 4-SPD. AUTOMATIC, 41TE DD5 = TRANSMISSION - 5-SPEED MANUAL DDO = All Manual Transmissions DGO = All Automatics |

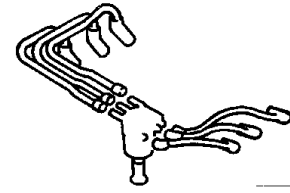
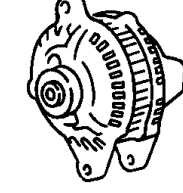
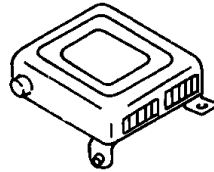
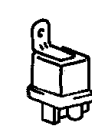
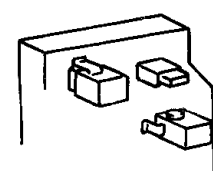
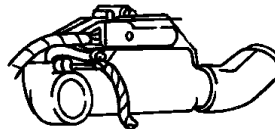
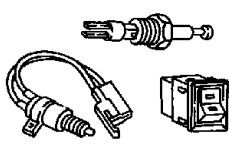
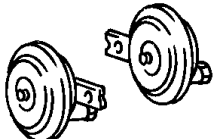
AR = use ase required - = Non illustrated part

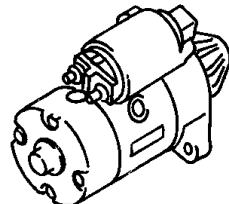
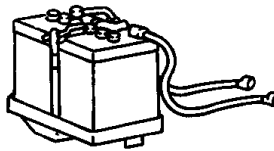
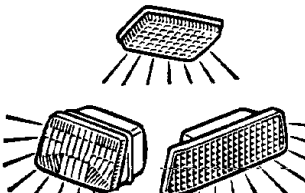
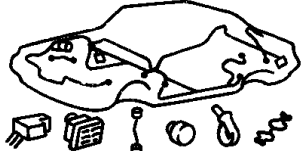


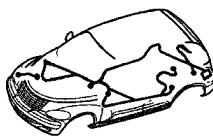
2001 PT

Group - 8

Electrical



| | | | |
|--|--|---|---|
| 008-1900 Spark Plugs-Cables-Coils  | 008-200 Alternators  | 008-400 Modules  | 008-500 Relays  |
| 008-600 Sensors  | 008-700 Single Board Engine Controllers  | 008-800 Switches  | 008-900 Horns  |

| | | | |
|--|---|---|---|
| 008-100 Starters  | 008-1000 Battery Tray and Cables  | 008-1100 Lamps - Front, Rear and Courtesy  | 008-1200 Wiring-Engine & Related Parts  |
| 008-1300 Wiring-Headlamp to Dash  | 008-1400 Wiring-Instrument Panel  | 008-1500 Wiring-Body & Accessories  | 008-1600 Wiring Repair WIRING REPAIR PKG. |

Group - 8 Electrical

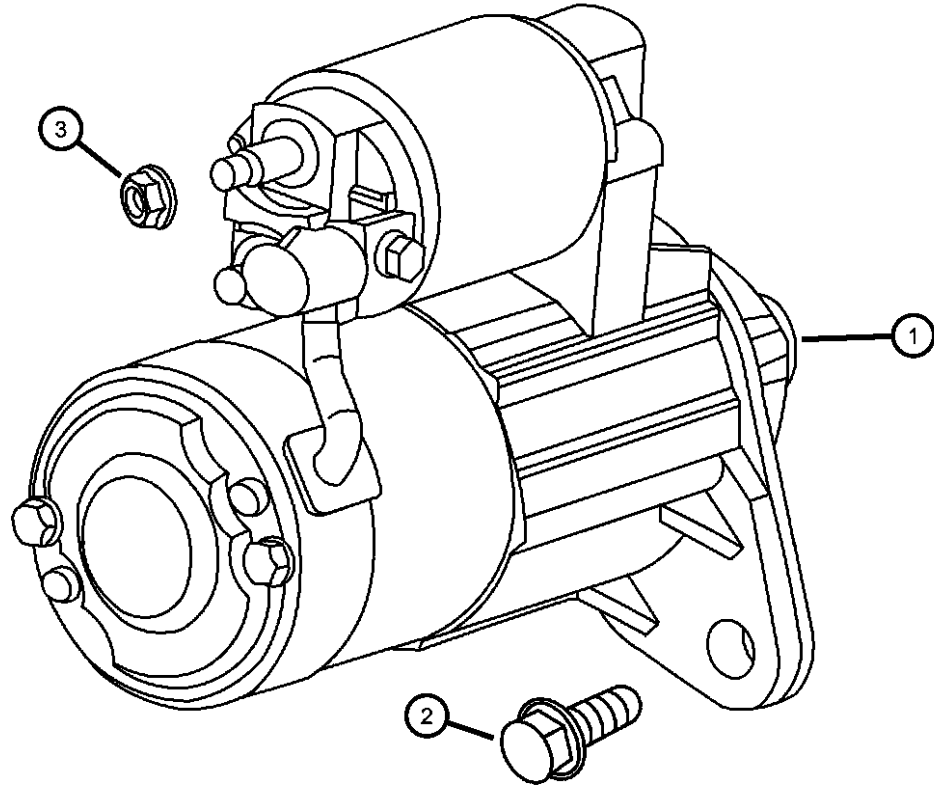
| Illustration Title | Group-Fig. No. |
|---|----------------|
| Starters | |
| Starter..... | Fig. 8 - 105 |
| Alternators | |
| Alternator, [2.0L ECC] | Fig. 8 - 205 |
| Alternator, [2.4L-EDZ]..... | Fig. 8 - 210 |
| Modules | |
| Modules..... | Fig. 8 - 405 |
| Relays | |
| Relays, Fuses - Power Distribution Center..... | Fig. 8 - 505 |
| Relays, Fuses, Circuit Breakers - Fuse Block..... | Fig. 8 - 510 |
| Sensors | |
| Sensors, Engine..... | Fig. 8 - 605 |
| Sensors, Transmission | Fig. 8 - 610 |
| Sensors - Body | Fig. 8 - 615 |
| Single Board Engine Controllers | |
| Single Board Engine Controllers..... | Fig. 8 - 705 |
| Switches | |
| Switches, Instrument Panel | Fig. 8 - 805 |
| Switches, Power Train | Fig. 8 - 810 |
| Switches, Body | Fig. 8 - 815 |
| Horns | |
| Horns..... | Fig. 8 - 905 |
| Battery Tray and Cables | |
| Battery Tray..... | Fig. 8 - 1015 |
| Lamps - Front, Rear and Courtesy | |
| Lamps, Front | Fig. 8 - 1105 |
| Lamps, Rear..... | Fig. 8 - 1110 |
| Lamps, Cargo-Dome-Courtesy-Reading | Fig. 8 - 1115 |
| Wiring-Engine & Related Parts | |
| Wiring Engine..... | Fig. 8 - 1205 |
| Wiring-Headlamp to Dash | |
| Wiring, Headlamp to Dash..... | Fig. 8 - 1305 |
| Wiring-Instrument Panel | |
| Wiring, Instrument Panel | Fig. 8 - 1405 |
| Wiring-Body & Accessories | |
| Wiring Body and Accessory | Fig. 8 - 1505 |
| Wiring Repair | |
| Wiring Repair..... | Fig. 8 - 1605 |
| Spark Plugs-Cables-Coils | |
| Sparkplugs, Cables, Coils | Fig. 8 - 1905 |

**Starter
Figure 8-105**

| ITEM | PART NUMBER | QTY | LINE | SERIES | BODY | ENGINE | TRANS | TRIM | DESCRIPTION |
|------|-------------|-----|------|--------|------|--------|-------|------|-------------|
|------|-------------|-----|------|--------|------|--------|-------|------|-------------|

ECC = 2.0L DOHC 16V
EDZ = 2.4L 4 CYL DOHC 16V

| | | | | | | | | | |
|---|------------|---|--|--|--|----------|--|--|--|
| 1 | | | | | | | | | STARTER |
| | 04793493 | 1 | | | | ECC | | | For ECC engine after 01-25-2001 |
| | 05033067AA | 1 | | | | ECC, EDZ | | | For ECC engine Up To 01-25-2001 |
| 2 | 06502717 | 2 | | | | | | | SCREW AND WASHER, Hex Head, M10x1.5x50, M10x1.50x50.00, Starter Mounting |
| 3 | 06101809 | 1 | | | | | | | NUT AND WASHER, Hex, M8x1.25, Starter B + |



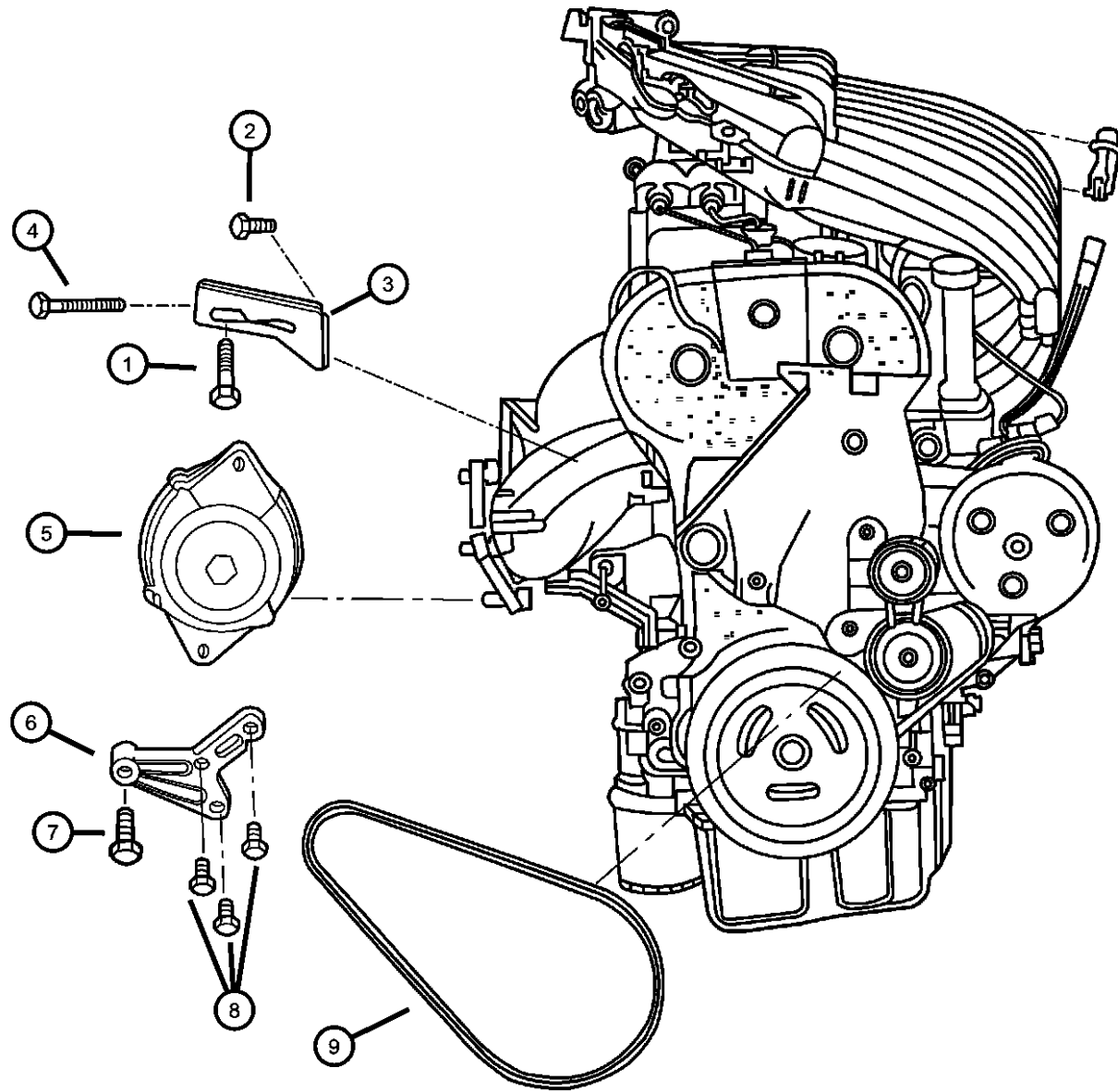
PT CRUISER (PT)

| | | | | |
|--------------|---|----------------|--|--|
| SERIES | LINE | BODY | ENGINE | TRANSMISSION |
| H = HIGHLINE | Z = CHRYSLER (RHD) C = CHRYSLER, LHD | 44 = Four Door | ECC = ENGINE - 2.0L 4 CYL DOHC 16V SMPI EDZ = ENGINE - 2.4L 4 CYL DOHC 16V SMPI | DGL = TRANSMISSION - 4-SPD. AUTOMATIC, 41TE DD5 = TRANSMISSION - 5-SPEED MANUAL DDO = All Manual Transmissions DGO = All Automatics |

AR = use ase required - = Non illustrated part

2001 PT

Alternator, [2.0L ECC]
Figure 8-205



| ITEM | PART NUMBER | QTY | LINE | SERIES | BODY | ENGINE | TRANS | TRIM | DESCRIPTION |
|-----------------------|-------------|-----|------|--------|------|--------|-------|------|--|
| [ECC] = 2.0L DOHC 16V | | | | | | | | | |
| 1 | 06504286 | 1 | | | | ECC | | | SCREW, Header Point, M10x1.50x50.00 |
| 2 | 06101503 | 2 | | | | ECC | | | SCREW AND WASHER, Hex Head, M10x1.5x25 |
| 3 | 04612132AB | 1 | | | | ECC | | | BRACKET, Alternator |
| 4 | 06503705 | 1 | | | | ECC | | | SCREW AND WASHER, Hex Head Lock, M8x1.25x95 |
| 5 | 05033054AB | 1 | | | | ECC | | | ALTERNATOR |
| 6 | 04668250 | 1 | | | | ECC | | | BRACKET, Alternator |
| 7 | 06101623 | 1 | | | | ECC | | | SCREW AND WASHER, Hex Head, M10x1.5x105 |
| 8 | 06101512 | 3 | | | | ECC | | | SCREW AND WASHER, Hex Head, M10x1.5x45 |
| 9 | 04668241 | 1 | | | | ECC | | | BELT, Alternator Drive |
| -10 | 06101448 | 1 | | | | ECC | | | NUT AND WASHER, Hex Nut-Coned Washer, M10 x 1.5 |
| -11 | 06502987 | 1 | | | | ECC | | | NUT AND RETAINER, Hex Flange Locking, M10 x 1.50 |

PT CRUISER (PT)

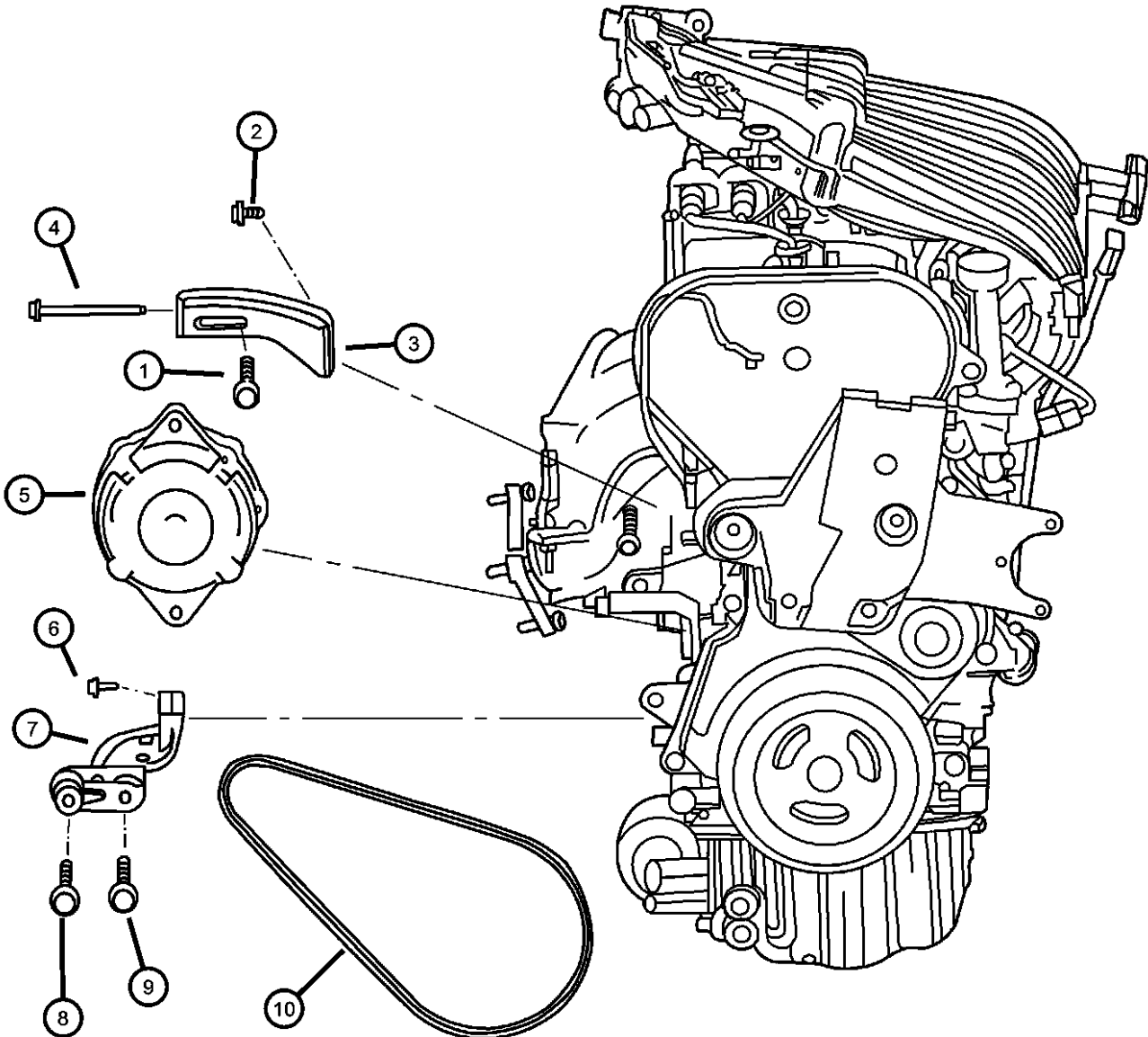
| | | | | |
|--------------|---|----------------|--|--|
| SERIES | LINE | BODY | ENGINE | TRANSMISSION |
| H = HIGHLINE | Z = CHRYSLER (RHD) C = CHRYSLER, LHD | 44 = Four Door | ECC = ENGINE - 2.0L 4 CYL DOHC 16V SMPI EDZ = ENGINE - 2.4L 4 CYL DOHC 16V SMPI | DGL = TRANSMISSION - 4-SPD. AUTOMATIC, 41TE DD5 = TRANSMISSION - 5-SPEED MANUAL DDO = All Manual Transmissions DGO = All Automatics |

AR = use ase required - = Non illustrated part

2001 PT

Alternator, [2.4L-EDZ]

Figure 8-210



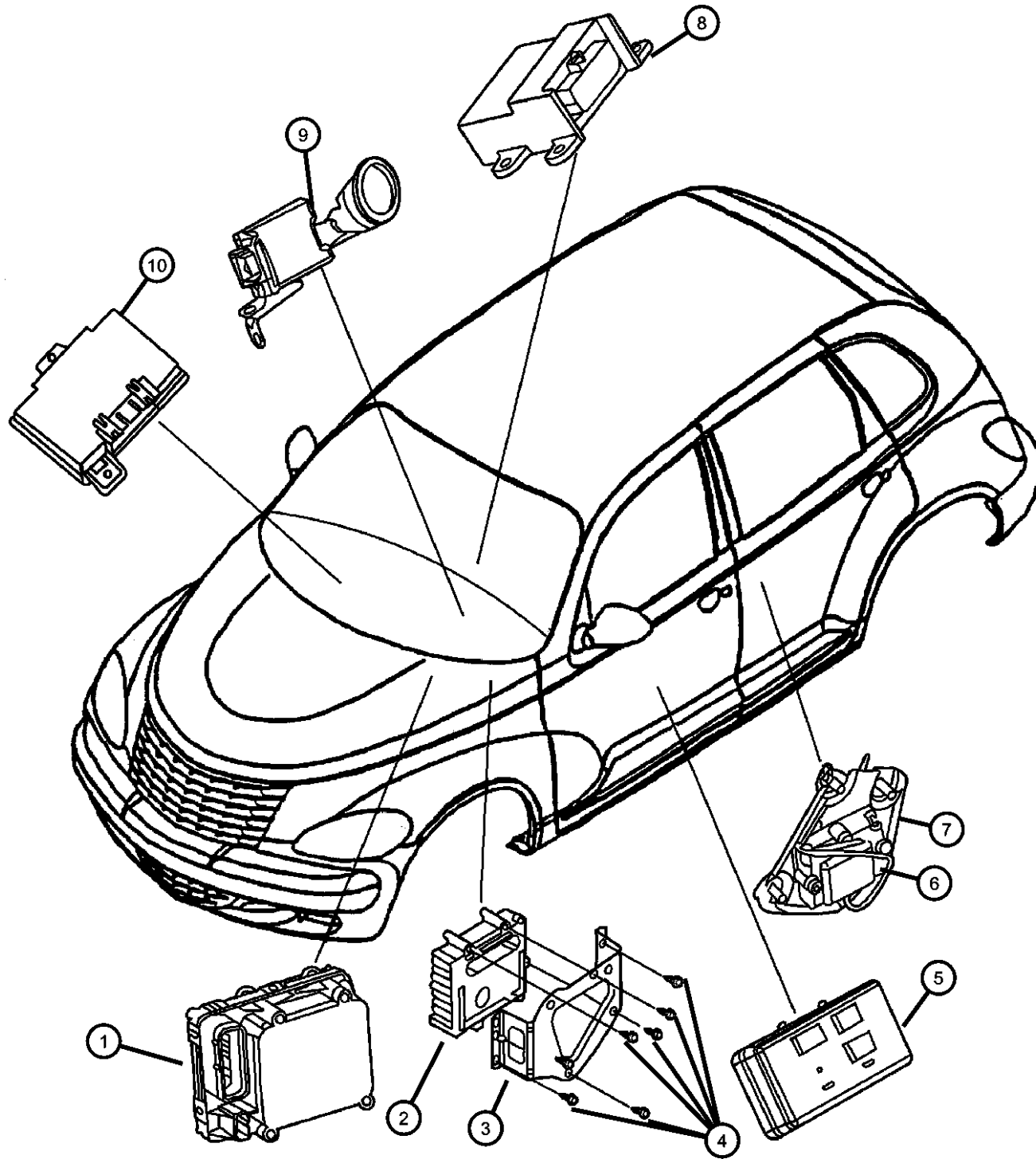
| ITEM | PART NUMBER | QTY | LINE | SERIES | BODY | ENGINE | TRANS | TRIM | DESCRIPTION |
|-----------------------|-------------|-----|------|--------|------|--------|-------|------|--|
| [EDZ]=2.4L 4 Cylinder | | | | | | | | | |
| 1 | 06504286 | 1 | | | | EDZ | | | SCREW, Header Point, M10x1.50x50.00 |
| 2 | 06101503 | 2 | | | | EDZ | | | SCREW AND WASHER, Hex Head, M10x1.5x25 |
| 3 | 04668446AA | 1 | | | | EDZ | | | BRACKET, Alternator Adjusting |
| 4 | 06503705 | 1 | | | | EDZ | | | SCREW AND WASHER, Hex Head Lock, M8x1.25x95 |
| 5 | 05033177AA | 1 | | | | EDZ | | | ALTERNATOR |
| 6 | 06101512 | 3 | | | | EDZ | | | SCREW AND WASHER, Hex Head, M10x1.5x45 |
| 7 | 04668445AA | 1 | | | | EDZ | | | BRACKET, Alternator |
| 8 | 06101623 | 1 | | | | EDZ | | | SCREW AND WASHER, Hex Head, M10x1.5x105 |
| 9 | 06503705 | 1 | | | | EDZ | | | SCREW AND WASHER, Hex Head Lock, M8x1.25x95 |
| 10 | 04668380AA | 1 | | | | EDZ | | | BELT, Alternator Drive |
| -11 | 06101448 | 1 | | | | EDZ | | | NUT AND WASHER, Hex Nut-Coned Washer, M10 x 1.5 |
| -12 | 06502987 | 1 | | | | EDZ | | | NUT AND RETAINER, Hex Flange Locking, M10 x 1.50 |

PT CRUISER (PT)

| | | | | |
|--------------|---|----------------|--|--|
| SERIES | LINE | BODY | ENGINE | TRANSMISSION |
| H = HIGHLINE | Z = CHRYSLER (RHD) C = CHRYSLER, LHD | 44 = Four Door | ECC = ENGINE - 2.0L 4 CYL DOHC 16V SMPI EDZ = ENGINE - 2.4L 4 CYL DOHC 16V SMPI | DGL = TRANSMISSION - 4-SPD. AUTOMATIC, 41TE DD5 = TRANSMISSION - 5-SPEED MANUAL DDO = All Manual Transmissions DGO = All Automatics |

AR = use ase required - = Non illustrated part

Modules
Figure 8-405



| ITEM | PART NUMBER | QTY | LINE | SERIES | BODY | ENGINE | TRANS | TRIM | DESCRIPTION |
|-----------------------|-------------|-----|------|--------|------|----------|-------|------|--|
| [ECC] = 2.0L DOHC 16V | | | | | | | | | |
| 1 | 05017847AC | 1 | | | | | | | MODULE, Anti-Lock Brake System |
| 2 | | | | | | | | | MODULE, EATX |
| | 04671718AF | 1 | | | | ECC, EDZ | DGL | | up to 07/24/00 |
| | 05033790AF | 1 | | | | ECC, EDZ | DGL | | after 07/24/00 up to 02/08/01 |
| | 05034031AA | 1 | | | | ECC, EDZ | DGL | | after 02/08/01 |
| 3 | 05033004AB | 1 | | | | ECC, EDZ | DGL | | BRACKET, Transmission Control Unit |
| 4 | 06505900AA | 3 | | | | ECC, EDZ | DGL | | SCREW, Tapping Hex Flange Head, M6.3 x 1.81 x 19.00 |
| 5 | | | | | | | | | MODULE, Heated Seat |
| | 05019794AA | 1 | C | | | | | | |
| | | 1 | Z | | | | | | |
| 6 | | | | | | | | | MODULE, Side Impact Right Export |
| | 04671844AA | 1 | | | | | | | |
| | 05293228AB | 1 | | | | | | | |
| 7 | | | | | | | | | MODULE, Side Impact Left Export |
| | 04671845AA | 1 | | | | | | | |
| | 05293229AB | 1 | | | | | | | |
| 8 | 04671419AD | 1 | | | | | | | MODULE, Air Bag Control |
| 9 | 04671676AD | 1 | | | | | | | MODULE, Immobilizer |
| 10 | 04671676AD | 1 | | | | | | | MODULE, Daytime Running Lamp, Canada only serviced in the Cluster assy, (NOT SERVICED) |

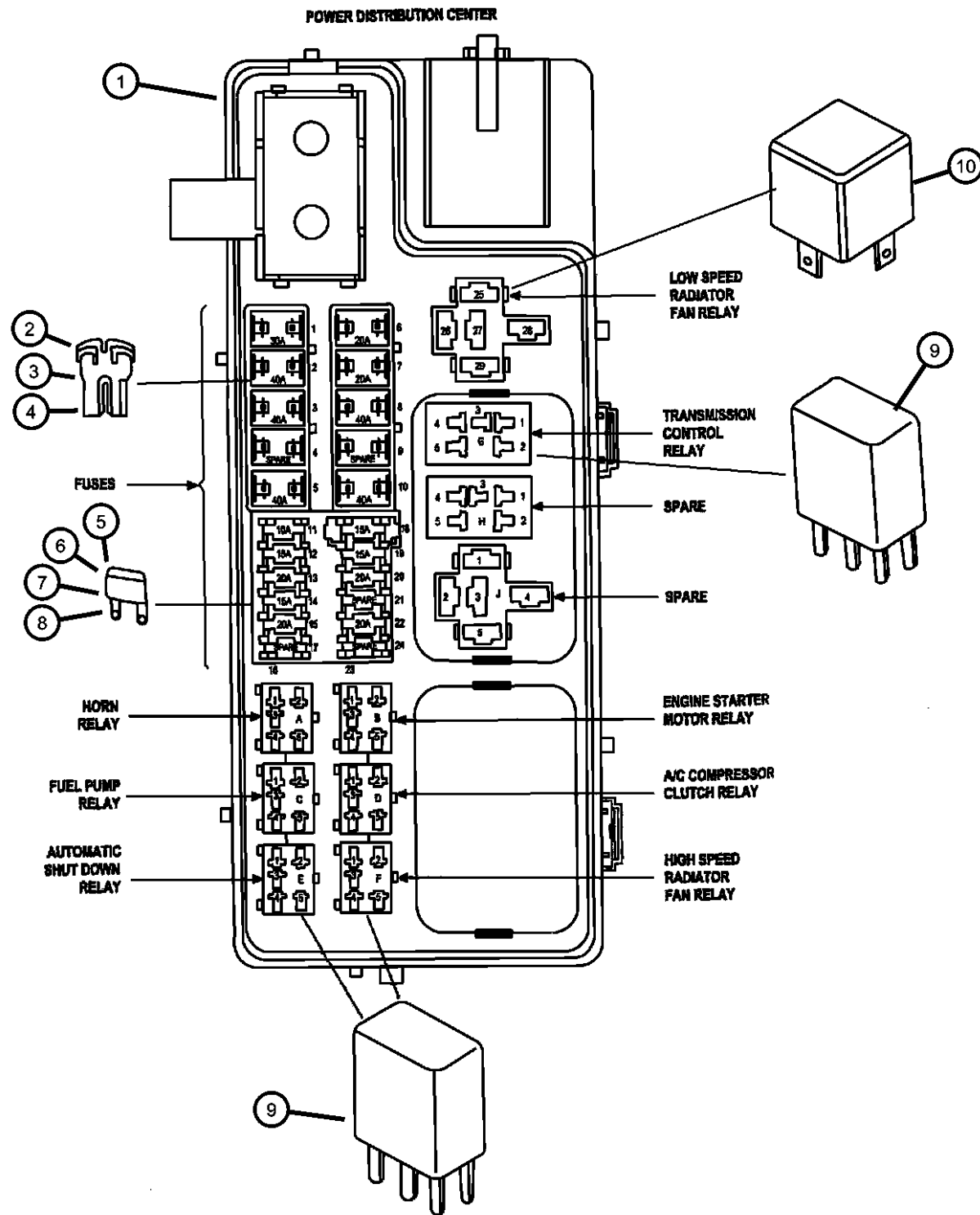
PT CRUISER (PT)

| | | | | |
|--------------|---|----------------|--|--|
| SERIES | LINE | BODY | ENGINE | TRANSMISSION |
| H = HIGHLINE | Z = CHRYSLER (RHD) C = CHRYSLER, LHD | 44 = Four Door | ECC = ENGINE - 2.0L 4 CYL DOHC 16V SMPI EDZ = ENGINE - 2.4L 4 CYL DOHC 16V SMPI | DGL = TRANSMISSION - 4-SPD. AUTOMATIC, 41TE DD5 = TRANSMISSION - 5-SPEED MANUAL DDO = All Manual Transmissions DGO = All Automatics |

AR = use ase required - = Non illustrated part

2001 PT

Relays, Fuses - Power Distribution Center
Figure 8-505



| ITEM | PART NUMBER | QTY | LINE | SERIES | BODY | ENGINE | TRANS | TRIM | DESCRIPTION |
|------|-------------|-----|------|--------|------|--------|-------|------|--|
| 1 | 04671676AD | 1 | | | | | | | POWER DISTRIBUTION CENTER, Serviced in Headlamp to Dash Harness Only, (NOT SERVICED) |
| 2 | 06102075AA | AR | | | | | | | FUSE CARTRIDGE, 20 Amp |
| 3 | 06102076AA | AR | | | | | | | FUSE CARTRIDGE, 30 Amp |
| 4 | 06102077AA | AR | | | | | | | FUSE CARTRIDGE, 40 Amp |
| 5 | | | | | | | | | FUSE, Mini, 25 Amp, Natural |
| | 04687835 | 1 | C | | | | | | |
| | | 1 | Z | | | | | | |
| 6 | | | | | | | | | FUSE, Mini, 20 AMP, Yellow |
| | 000ATM20 | 3 | C | | | | | | |
| | | 3 | Z | | | | | | |
| 7 | | | | | | | | | FUSE, Mini, 15 AMP, Light Blue |
| | 000ATM15 | 2 | C | | | | | | |
| | | 1 | Z | | | | | | |
| 8 | | | | | | | | | FUSE, Mini, 10 AMP, Red |
| | 000ATM10 | 9 | C | | | | | | |
| | | 9 | Z | | | | | | |
| 9 | 05269988AA | 1 | | | | | | | RELAY, Mini, A/C Clutch, ASD, EATX, Fuel Pump, Horn, Radiator Fan High, Starter |
| 10 | 04638094 | 1 | | | | | | | RELAY PACKAGE, Electrical, Radiator Fan Low |
| -11 | 04794741AA | AR | | | | | | | COVER, Power Distribution Center |

PT CRUISER (PT)

| | | | | |
|--------------|---|----------------|--|--|
| SERIES | LINE | BODY | ENGINE | TRANSMISSION |
| H = HIGHLINE | Z = CHRYSLER (RHD) C = CHRYSLER, LHD | 44 = Four Door | ECC = ENGINE - 2.0L 4 CYL DOHC 16V SMPI EDZ = ENGINE - 2.4L 4 CYL DOHC 16V SMPI | DGL = TRANSMISSION - 4-SPD. AUTOMATIC, 41TE DD5 = TRANSMISSION - 5-SPEED MANUAL DDO = All Manual Transmissions DGO = All Automatics |

AR = use ase required - = Non illustrated part

Relays, Fuses, Circuit Breakers - Fuse Block
Figure 8-510

| ITEM | PART NUMBER | QTY | LINE | SERIES | BODY | ENGINE | TRANS | TRIM | DESCRIPTION |
|------|-------------|-----|------|--------|------|--------|-------|------|-------------|
|------|-------------|-----|------|--------|------|--------|-------|------|-------------|

Note:

DGL=4 Speed Automatic Transmission

ECC = 2.0L 4 Cyl DOHC 16V

EDZ = 2.4L 4 Cyl DOHC 16V

| | | | | | | | | | |
|---|------------|----|---|--|--|----------|-----|--|--|
| 1 | 04794741AA | AR | | | | | | | BLOCK, Fuse and Relay, Serviced in Instrument Panel Harness only, (NOT SERVICED) |
| 2 | 04527053 | 1 | C | | | | | | BREAKER, Circuit 25 Amp |
| | | 1 | Z | | | | | | 20 Amp |
| 3 | 04638094 | 1 | | | | | | | RELAY PACKAGE, Electrical, Headlamp FLASHER |
| 4 | 04671714AA | 1 | C | | | | | | Export |
| | 04671715AA | 1 | | | | | | | Export |
| 5 | 000ATM10 | 2 | | | | | | | FUSE, Mini, 10 AMP, Red |
| 6 | 000ATM15 | 2 | C | | | | | | FUSE, Mini, 15 AMP, Light Blue |
| | | 1 | Z | | | | | | |
| 7 | 000ATM20 | 4 | C | | | ECC, EDZ | DD5 | | FUSE, Mini, 20 AMP, Yellow |
| | | 4 | Z | | | ECC | DD5 | | |
| 8 | 04687835 | 1 | C | | | | | | FUSE, Mini, 25 Amp, Natural |
| | | 1 | Z | | | | | | |
| 9 | 05234494 | 1 | | | | | | | RELAY, Electrical, Heated Seat |

PT CRUISER (PT)

SERIES

H = HIGHLINE

LINE

Z = CHRYSLER (RHD)

C = CHRYSLER, LHD

BODY

44 = Four Door

ENGINE

ECC = ENGINE - 2.0L 4 CYL

DOHC 16V SMPI

EDZ = ENGINE - 2.4L 4 CYL

DOHC 16V SMPI

TRANSMISSION

DGL = TRANSMISSION - 4-SPD.

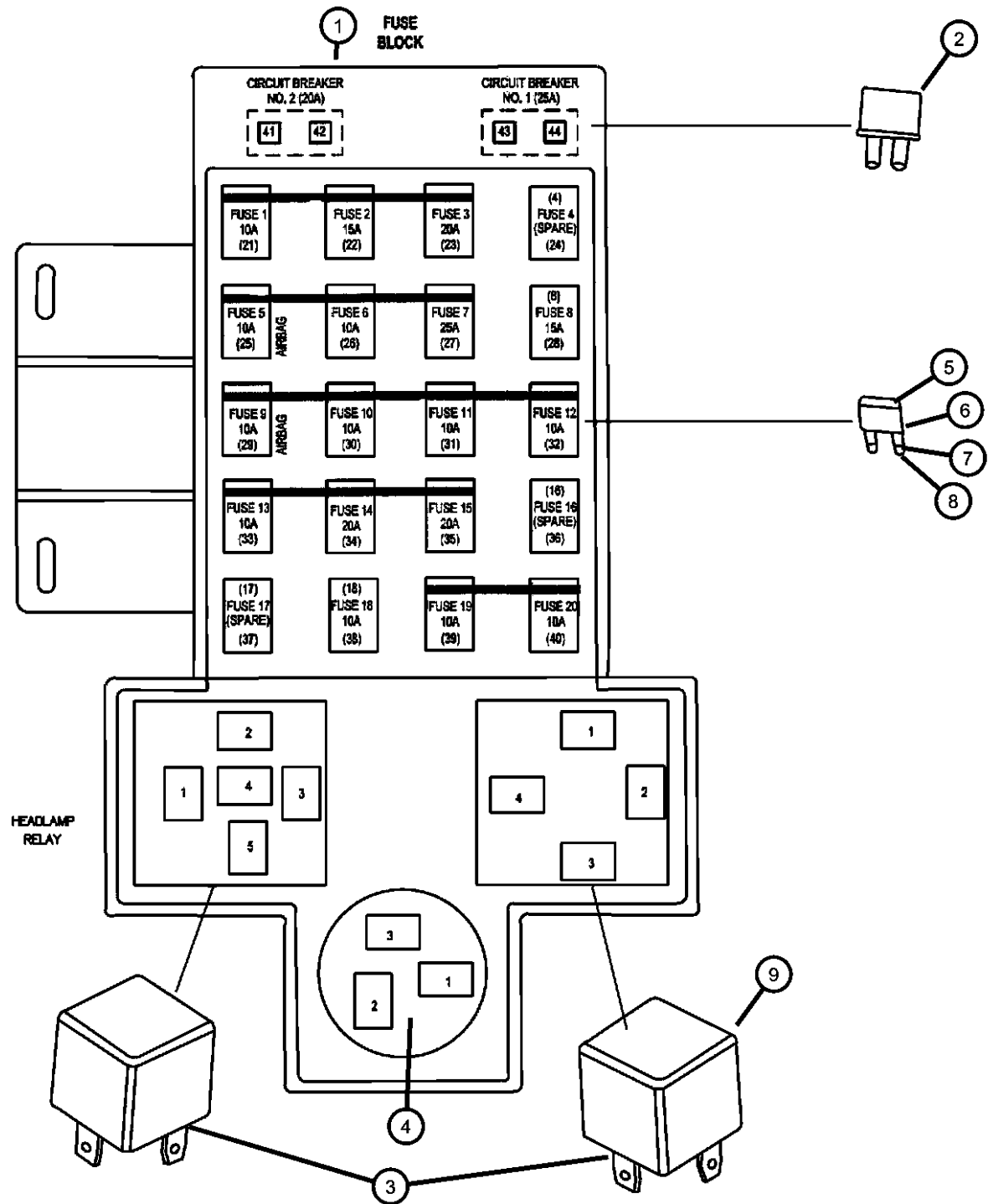
AUTOMATIC, 41TE

DD5 = TRANSMISSION - 5-SPEED

MANUAL

DDO = All Manual Transmissions

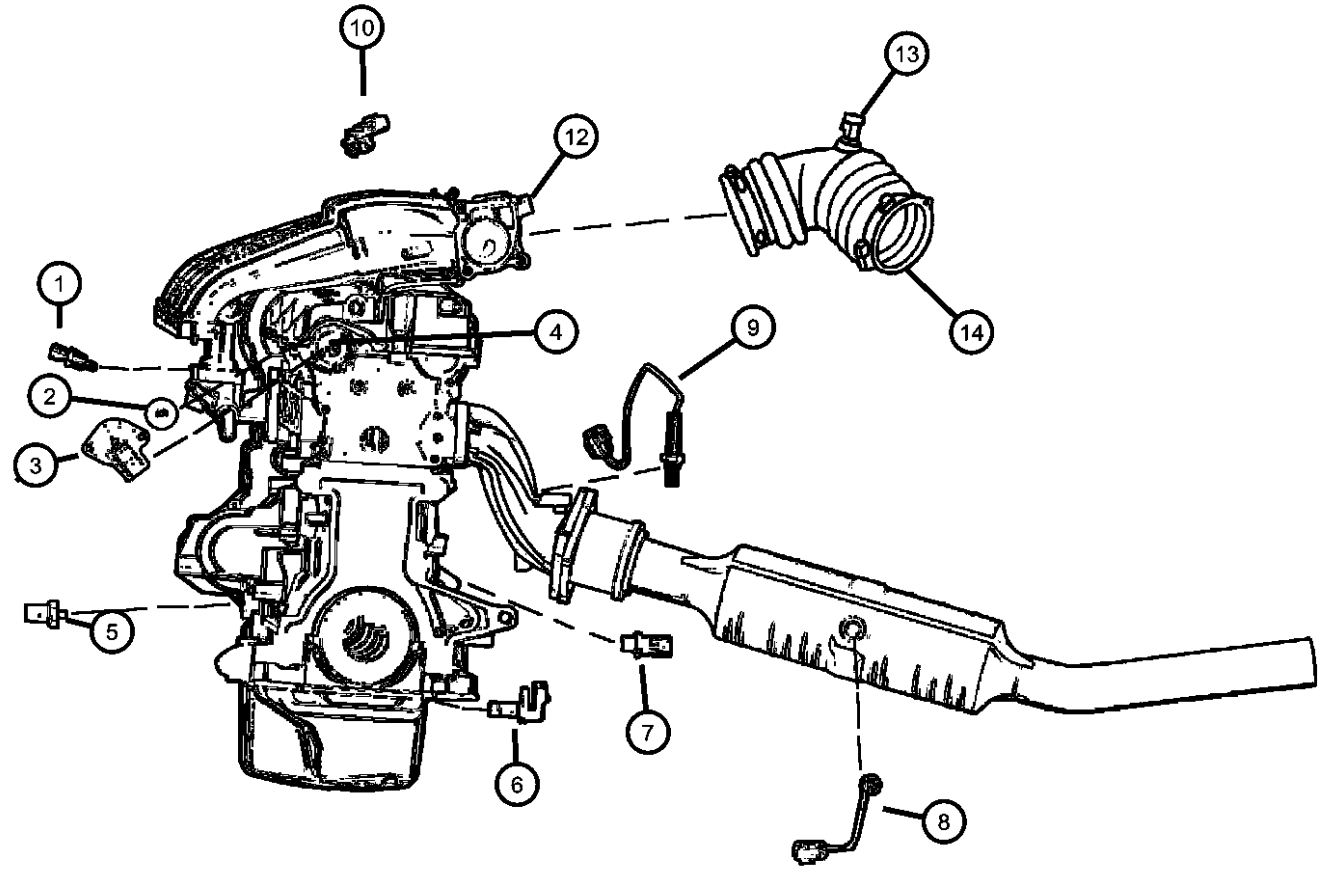
DGO = All Automatics



AR = use ase required - = Non illustrated part

2001 PT

Sensors, Engine
Figure 8-605



| ITEM | PART NUMBER | QTY | LINE | SERIES | BODY | ENGINE | TRANS | TRIM | DESCRIPTION |
|------|-------------|-----|------|--------|------|----------|-------|------|--|
| | | | | | | | | | ECC = 2.0 DOHC EDZ = 2.4 DOHC DD5 = Manual 5 Speed DGL= 4 Speed Automatic |
| 1 | 05269870AB | 1 | | | | EDZ | | | SENSOR, Coolant Temperature |
| | | 1 | | | | ECC | | | |
| 2 | 05269547 | 1 | | | | EDZ | | | CAM MAGNET, Target |
| | | 1 | | | | ECC | | | |
| 3 | 04882851AB | 1 | | | | ECC | | | SENSOR PACKAGE, Camshaft |
| | | 1 | | | | EDZ | | | |
| 4 | 04884111AA | 1 | | | | EDZ | | | SEAL, Camshaft Sensor |
| | | 1 | | | | ECC | | | |
| 5 | 04557667 | 1 | | | | EDZ | | | SENSOR, Knock |
| | | 1 | | | | ECC | | | |
| 6 | 05269703 | 1 | | | | EDZ | | | SENSOR, Crankshaft Position |
| | | 1 | | | | ECC | | | |
| 7 | 04608303 | 1 | | | | EDZ | | | SWITCH, Oil Pressure |
| | | 1 | | | | ECC | | | |
| 8 | 05033039AA | 1 | | | | | | | SENSOR, Oxygen, Down Stream |
| 9 | 05033758AA | 1 | | | | | | | SENSOR, Oxygen, Upstream |
| 10 | 04686684AA | 1 | | | | ECC, EDZ | | | SENSOR, MAP |
| -11 | 06505693AA | 2 | | | | EBT | | | SCREW AND WASHER, M5X.80X20.00, Map Sensor attaching |
| 12 | 04606197 | 1 | | | | ECC, EDZ | DGL | | SENSOR, Throttle Position |
| | | 1 | | | | ECC, EDZ | DD5 | | |
| 13 | 04606487AB | 1 | | | | ECC, EDZ | | | SENSOR, Charge Air Temp |
| 14 | 04891136AD | 1 | | | | ECC, EDZ | | | HOSE, Air Cleaner to T/Body |

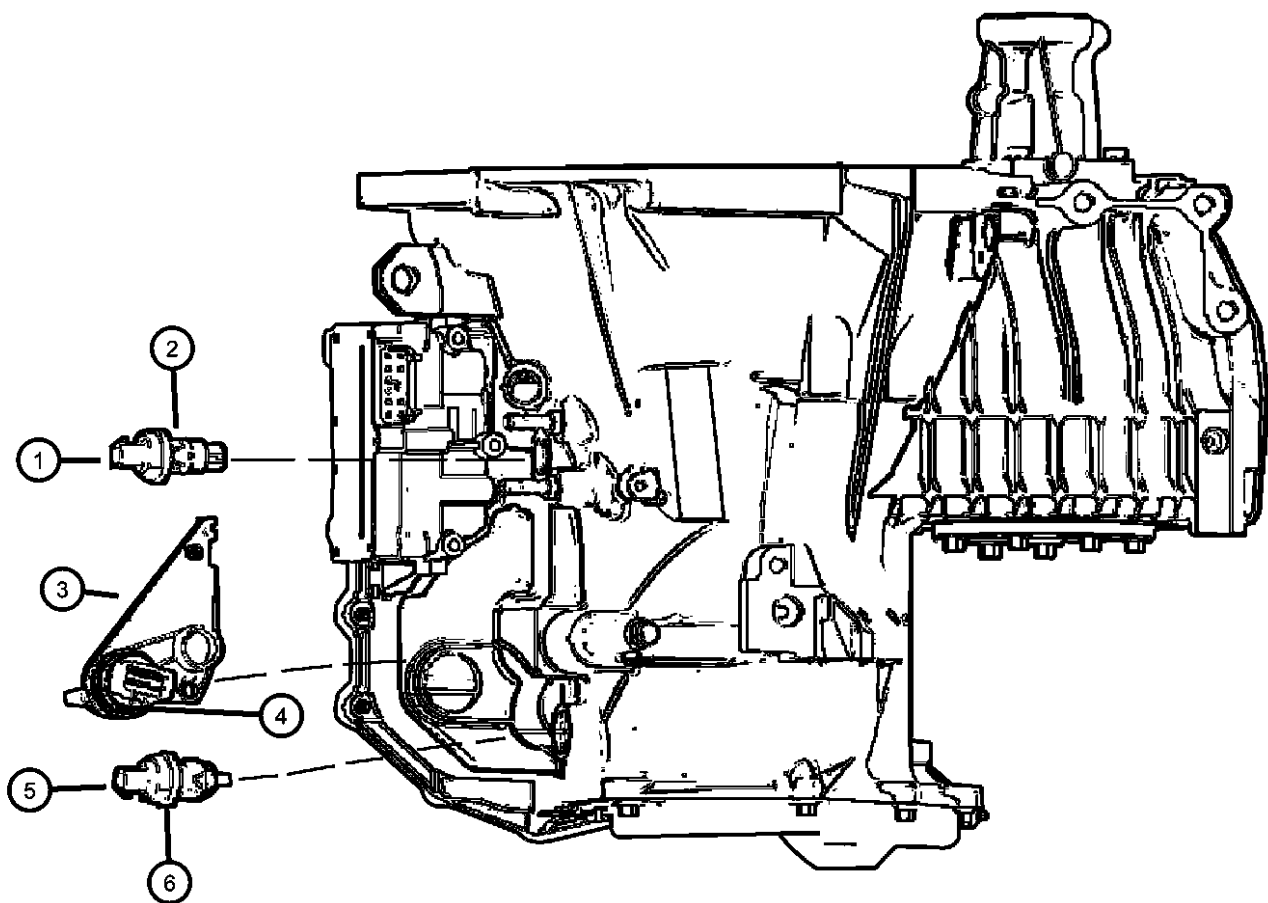
PT CRUISER (PT)

| | | | | |
|--------------|---|----------------|--|--|
| SERIES | LINE | BODY | ENGINE | TRANSMISSION |
| H = HIGHLINE | Z = CHRYSLER (RHD) C = CHRYSLER, LHD | 44 = Four Door | ECC = ENGINE - 2.0L 4 CYL DOHC 16V SMPI EDZ = ENGINE - 2.4L 4 CYL DOHC 16V SMPI | DGL = TRANSMISSION - 4-SPD. AUTOMATIC, 41TE DD5 = TRANSMISSION - 5-SPEED MANUAL DDO = All Manual Transmissions DGO = All Automatics |

AR = use ase required - = Non illustrated part

2001 PT

Sensors, Transmission
Figure 8-610



| ITEM | PART NUMBER | QTY | LINE | SERIES | BODY | ENGINE | TRANS | TRIM | DESCRIPTION |
|---|-------------|-----|------|--------|------|--------|-------|------|------------------------------------|
| EDZ= 2.4L 4 CYL DOHC 16V SMP ECC=2.0L 4 CYL DGL=4-SPD. AUTOMATIC,41TE | | | | | | | | | |
| 1 | | | | | | | | | SENSOR, Transmission Input Speed |
| | 04800878 | 1 | | | | ECC | DGL | | |
| | | 1 | | | | EDZ | DGL | | |
| 2 | | | | | | | | | O RING, Trans Speed Sensor |
| | 06501657AB | 1 | | | | ECC | DGL | | Input Speed Sensor |
| | | 1 | | | | EDZ | DGL | | Input Speed Sensor |
| 3 | | | | | | | | | SENSOR, Transmission Range |
| | 04659676AB | 1 | | | | ECC | DGL | | |
| | | 1 | | | | EDZ | DGL | | |
| 4 | | | | | | | | | SEAL, Manual Valve Position Sensor |
| | 04659678 | 1 | | | | ECC | DGL | | Trans Range Sensor |
| | | 1 | | | | EDZ | DGL | | Trans Range Sensor |
| 5 | | | | | | | | | SENSOR, Transmission Output Speed |
| | 04800879 | 1 | | | | ECC | DGL | | |
| | | 1 | | | | EDZ | DGL | | |
| 6 | | | | | | | | | O RING, Trans Speed Sensor |
| | 06501658AB | 1 | | | | ECC | DGL | | Output Speed Sensor |
| | | 1 | | | | EDZ | DGL | | Output Speed Sensor |
| -7 | 04707839AA | 1 | C | | | | DD5 | | SENSOR, Vehicle Speed |

PT CRUISER (PT)

| | | | | |
|--------------|---|----------------|--|---|
| SERIES | LINE | BODY | ENGINE | TRANSMISSION |
| H = HIGHLINE | Z = CHRYSLER (RHD) C = CHRYSLER, LHD | 44 = Four Door | ECC = ENGINE - 2.0L 4 CYL DOHC 16V SMPI EDZ = ENGINE - 2.4L 4 CYL DOHC 16V SMPI | DGL = TRANSMISSION - 4-SPD. AUTOMATIC,41TE DD5 = TRANSMISSION - 5-SPEED MANUAL DDO = All Manual Transmissions DGO = All Automatics |

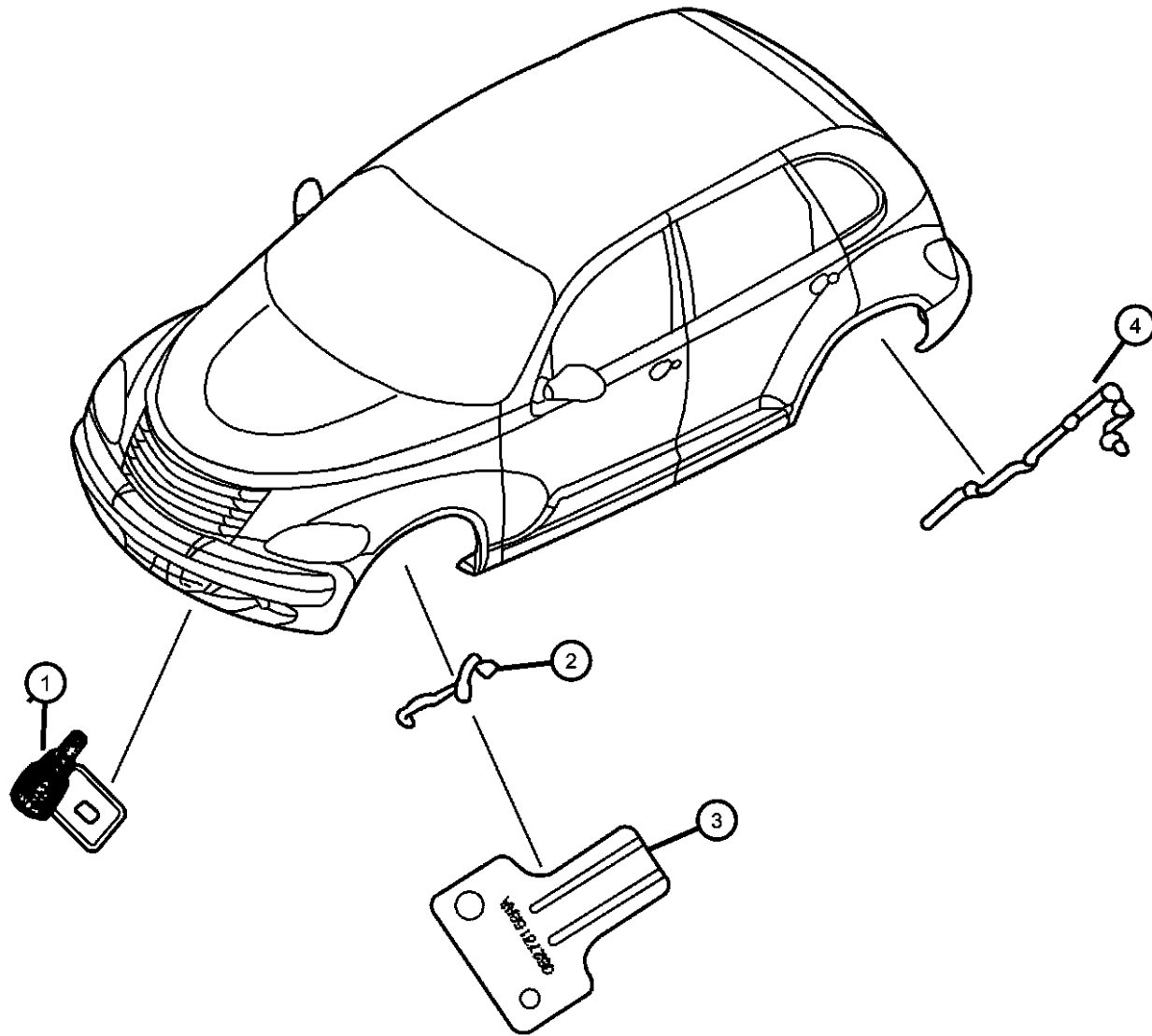
AR = use ase required - = Non illustrated part

Sensors - Body
Figure 8-615

| ITEM | PART NUMBER | QTY | LINE | SERIES | BODY | ENGINE | TRANS | TRIM | DESCRIPTION |
|------|-------------|-----|------|--------|------|--------|-------|------|-------------|
|------|-------------|-----|------|--------|------|--------|-------|------|-------------|

ECC = 2.0 DOHC
 EDZ = 2.4 DOHC
 DD5 = Manual 5 Speed
 DGL= 4 Speed Automatic

| | | | | | | | | | |
|---|------------|---|--|--|--|--|--|--|------------------------------|
| 1 | 56042395 | 1 | | | | | | | SENSOR, Ambient Temperature |
| 2 | | | | | | | | | SENSOR, Anti-Lock Brakes |
| | 05273332 | 1 | | | | | | | Right Front |
| | 05273333 | 1 | | | | | | | Left Front |
| 3 | 05273152AA | 2 | | | | | | | SHIELD, Heat |
| 4 | 04860038AA | 2 | | | | | | | SENSOR, Anti-Lock BrakesRear |



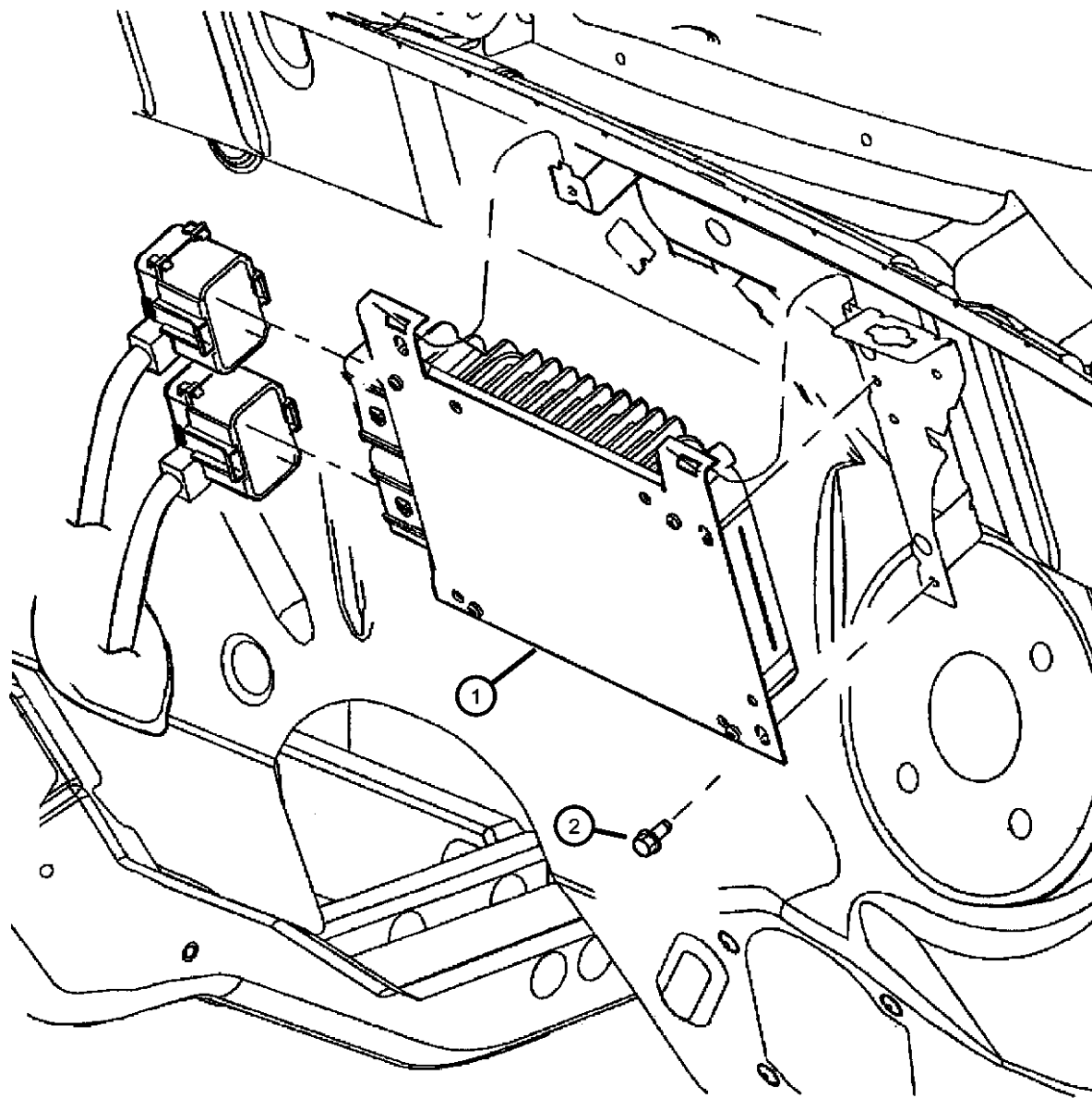
PT CRUISER (PT)

| | | | | |
|--------------|---|----------------|--|--|
| SERIES | LINE | BODY | ENGINE | TRANSMISSION |
| H = HIGHLINE | Z = CHRYSLER (RHD) C = CHRYSLER, LHD | 44 = Four Door | ECC = ENGINE - 2.0L 4 CYL DOHC 16V SMPI EDZ = ENGINE - 2.4L 4 CYL DOHC 16V SMPI | DGL = TRANSMISSION - 4-SPD. AUTOMATIC, 41TE DD5 = TRANSMISSION - 5-SPEED MANUAL DDO = All Manual Transmissions DGO = All Automatics |

AR = use ase required - = Non illustrated part

2001 PT

**Single Board Engine Controllers
Figure 8-705**



| ITEM | PART NUMBER | QTY | LINE | SERIES | BODY | ENGINE | TRANS | TRIM | DESCRIPTION |
|---|-------------|-----|------|--------|------|--------|-------|------|---|
| Note: ECC = 2.0L DOHC 16V EDZ = 2.4L 4 CYL DOHC 16V DGL = 4 Speed Automatic Transmission, 41TE DD5 = 5 Speed Manual Transmission - Perf. NAA=Federal Emissions NAE=California Emissions NAS=U.S. - 50 States Emissions NA1=Export Emissions NA3=European III Emissions NBV=Low Emissions Vehicle NZJ=Engine Controller - Japan NZ5=Engine Controller - High Speed | | | | | | | | | |
| 1 | | | | | | | | | MODULE, Engine Controller |
| | 04671542AE | 1 | | | | ECC | DD5 | | European 3 |
| | 04671545AF | 1 | | | | ECC | DGL | | European 3 |
| | 04671547AF | 1 | | | | EDZ | DD5 | | Low Level Emissions (NBV) |
| | 04671548AF | 1 | | | | EDZ | DGL | | Low Level Emissions (NBV) |
| | 05033116AB | 1 | | | | ECC | DD5 | | after 7/24/00 European Emissions[NA3] |
| | 05033117AB | 1 | | | | ECC | DGL | | after 7/24/00 European Emissions[NA3] |
| | 05033118AB | 1 | | | | EDZ | DD5 | | after 7/24/00 US 50 States [NAS] |
| | 05033119AB | 1 | | | | EDZ | DGL | | after 7/24/00 Federal [NAA] |
| | 05033120AB | 1 | | | | EDZ | DGL | | after 7/24/00 California [NAE] |
| | 05033136AD | 1 | | | | ECC | DD5 | | up to 7/24/00, Export |
| | 05033137AC | 1 | | | | ECC | DGL | | up to 7/24/00, Export |
| | 05033140AB | 1 | | | | ECC | DD5 | | after 7/24/00 [NA1], Export |
| | 05033142AB | 1 | | | | ECC | DGL | | after 7/24/00 [NA1], Export |
| | 05033201AA | 1 | | | | ECC | DGL | | after 7/24/00 Japan [NA1, NZJ], Export |
| | 05033205AA | 1 | | | | ECC | DD5 | | after 7/24/00 High Speed {NA1,NZ5}, Export |
| | 05033206AA | 1 | | | | ECC | DGL | | after 7/24/00 High Speed [NA1, NZJ], Export |
| 2 | 06505900AA | 3 | | | | | | | SCREW, Tapping Hex Flange Head, M6.3 x 1.81 x 19.00, Engine Controller Mounting |

PT CRUISER (PT)

| | | | | |
|--------------|---|----------------|--|--|
| SERIES | LINE | BODY | ENGINE | TRANSMISSION |
| H = HIGHLINE | Z = CHRYSLER (RHD) C = CHRYSLER, LHD | 44 = Four Door | ECC = ENGINE - 2.0L 4 CYL DOHC 16V SMPI EDZ = ENGINE - 2.4L 4 CYL DOHC 16V SMPI | DGL = TRANSMISSION - 4-SPD. AUTOMATIC, 41TE DD5 = TRANSMISSION - 5-SPEED MANUAL DDO = All Manual Transmissions DGO = All Automatics |

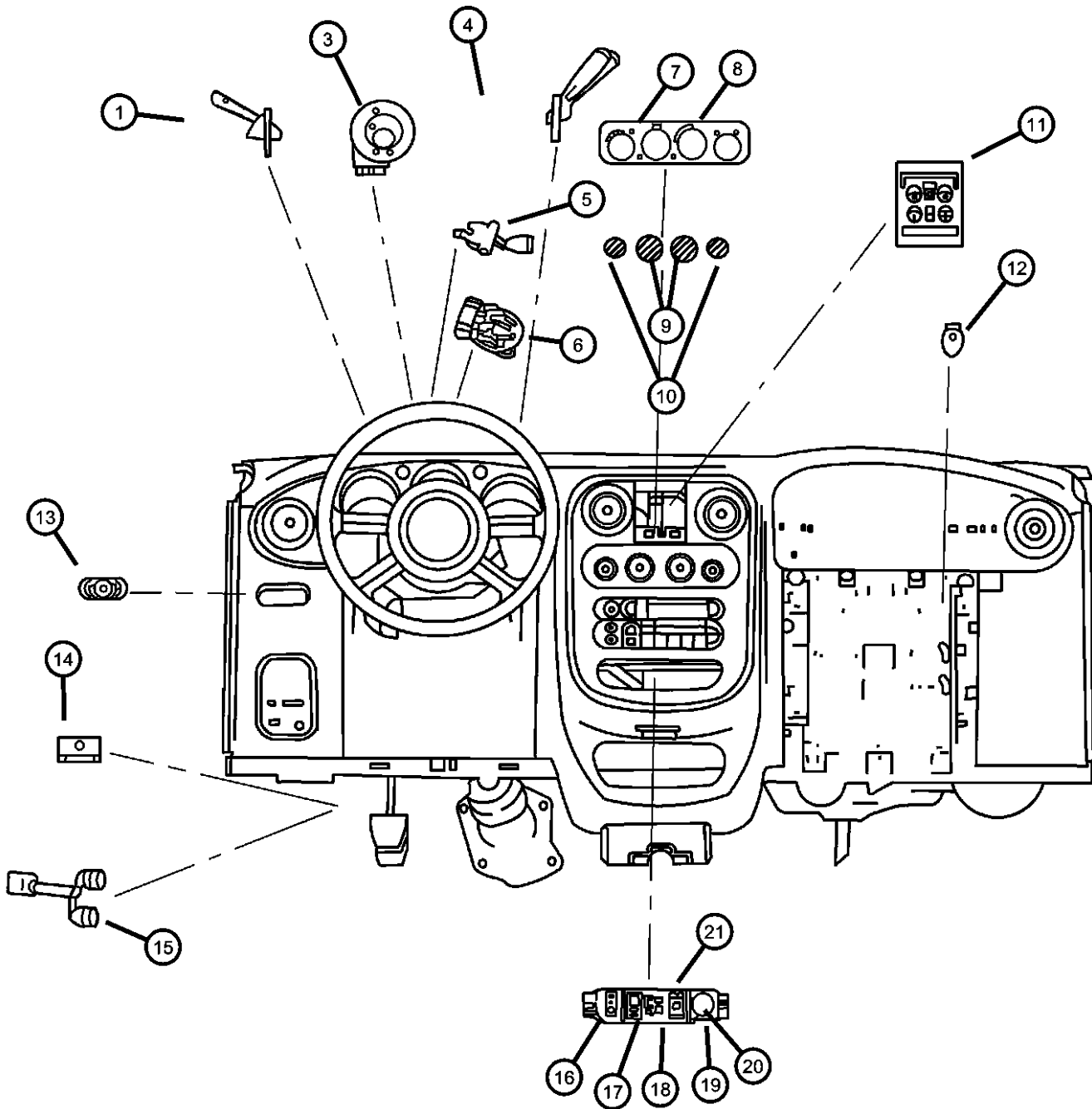
AR = use ase required - = Non illustrated part

2001 PT

Switches, Instrument Panel
Figure 8-805

| ITEM | PART NUMBER | QTY | LINE | SERIES | BODY | ENGINE | TRANS | TRIM | DESCRIPTION |
|------|-------------|-----|------|--------|------|--------|-------|------|-------------|
|------|-------------|-----|------|--------|------|--------|-------|------|-------------|

Note:
DD5=5 Speed Manual Transmission
DGL=4 Speed Auto Transmission
ECC = 2.0 DOHC 16V
EDZ = 2.4 D OHC 16V



| | | | | | | | | | |
|----|------------|---|---|--|--|--|-----|--|--|
| 1 | 05016950AA | 1 | C | | | | | | SWITCH, Multifunction |
| | 05016951AB | 1 | | | | | | | with Fog Lamps |
| | 05016952AA | 1 | | | | | | | with Fog Lamps rear, Export |
| | 05016956AA | 1 | | | | | | | with Fog Lamps front and rear, Export |
| -2 | 04794302AA | 1 | | | | | | | FOAM, Multifunction Switch |
| 3 | | | | | | | | | CLOCKSPRING |
| | 04671874AA | 1 | | | | | | | without Speed Control up to 11-15-2000 |
| | 04671874AB | 1 | | | | | | | without Speed Control after 11-15-2000 |
| | 04671875AA | 1 | | | | | | | with Speed Control up to 11-15-2000 |
| | 04671875AB | 1 | | | | | | | with Speed Control after 11-15-2000 |
| 4 | 05016949AB | 1 | | | | | | | SWITCH, Intermittent Wiper |
| 5 | 04671573AB | 1 | | | | | | | SWITCH, Speed Control |
| 6 | | | | | | | | | SWITCH, Ignition |
| | 04793576 | 1 | C | | | | DGL | | |
| | | 1 | Z | | | | DGL | | |
| 7 | | | | | | | | | CONTROL, A/C And Heater |
| | 04885336AA | 1 | C | | | | | | |
| | 05015381AA | 1 | Z | | | | | | |
| 8 | 04885337AA | 1 | C | | | | | | CONTROL, Heater |
| 9 | | | | | | | | | KNOB, A/C Control |
| | 0SZ13DX9AA | 2 | | | | | | | |
| | | 1 | Z | | | | | | |
| 10 | 0SZ14DX9AA | 1 | | | | | | | KNOB, Blower Switch |
| 11 | | | | | | | | | SWITCH AND BEZEL, Power Window |
| | 0TP431L8AC | 1 | | | | | | | 3 gang |
| | 0UC121L8AA | 1 | | | | | | | 5 gang |
| 12 | 04565022 | 1 | | | | | | | SWITCH AND LAMP, Glove Box |

PT CRUISER (PT)

SERIES LINE
H = HIGHLINE Z = CHRYSLER (RHD)
C = CHRYSLER, LHD

BODY
44 = Four Door

ENGINE
ECC = ENGINE - 2.0L 4 CYL DOHC 16V SMPI
EDZ = ENGINE - 2.4L 4 CYL DOHC 16V SMPI

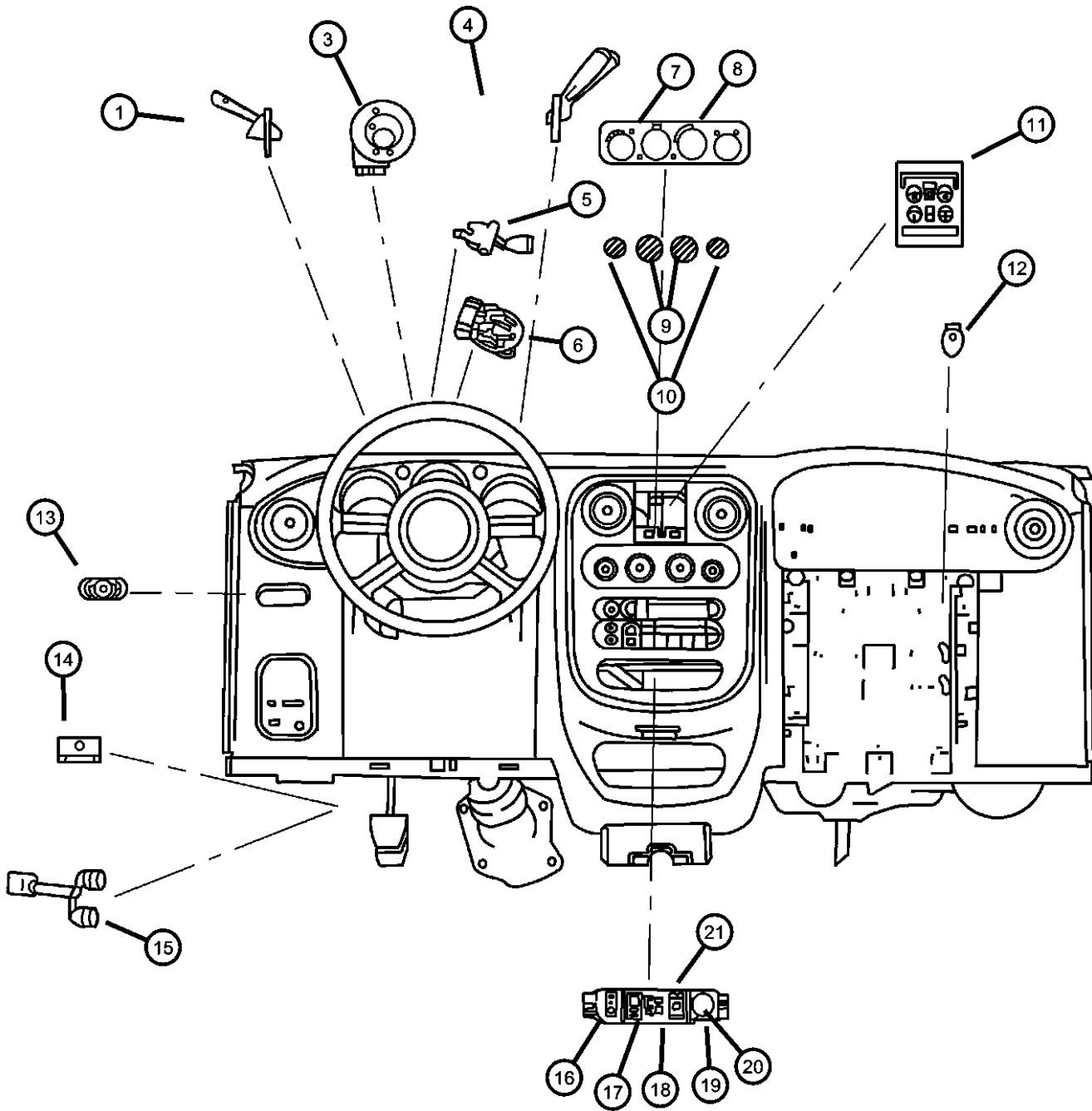
TRANSMISSION
DGL = TRANSMISSION - 4-SPD. AUTOMATIC, 41TE
DD5 = TRANSMISSION - 5-SPEED MANUAL
DDO = All Manual Transmissions
DGO = All Automatics

AR = use ase required - = Non illustrated part

2001 PT

Switches, Instrument Panel
Figure 8-805

| ITEM | PART NUMBER | QTY | LINE | SERIES | BODY | ENGINE | TRANS | TRIM | DESCRIPTION |
|------|-------------|-----|------|--------|------|--------|-------|------|---|
| 13 | | | | | | | | | SWITCH, Mirror |
| | 04608505AB | 1 | C | | | | | | |
| | 04793862AB | 1 | Z | | | | | | |
| 14 | 56045043AE | 1 | | | | | | | SWITCH, Stop Lamp |
| 15 | | | | | | | | | SWITCH, Clutch Starter Interlock |
| | 04671756AB | 1 | C | | | | DD5 | | |
| | 04671765AA | 1 | Z | | | | DD5 | | |
| 16 | 04671670AA | 1 | | | | | | | SWITCH, Electric Back Light |
| 17 | 04671671AB | 1 | | | | | | | SWITCH, Wiper and Washer, rear |
| 18 | 04671672AA | 1 | | | | | | | SWITCH, Traction Control |
| 19 | 04671673AA | 1 | | | | | | | SWITCH, Headlamp LevelingExport |
| 20 | 04793554 | 1 | | | | | | | POWER OUTLET, Cigar Lighter |
| 21 | | | | | | | | | BEZEL, Accessory Switch |
| | 04671669AA | 1 | | | | | | | with EBL, Rear Wiper, Traction Control, Headlamp Leveling, Export |
| | 04671828AA | 1 | C | | | | | | with EBL, Rear Wiper, Traction Control, |
| | 05015788AB | 1 | C | | | | | | with EBL, Rear Wiper |
| | 05015790AB | 1 | | | | | | | with EBL, Rear Wiper, Headlamp Leveling, Export |



PT CRUISER (PT)

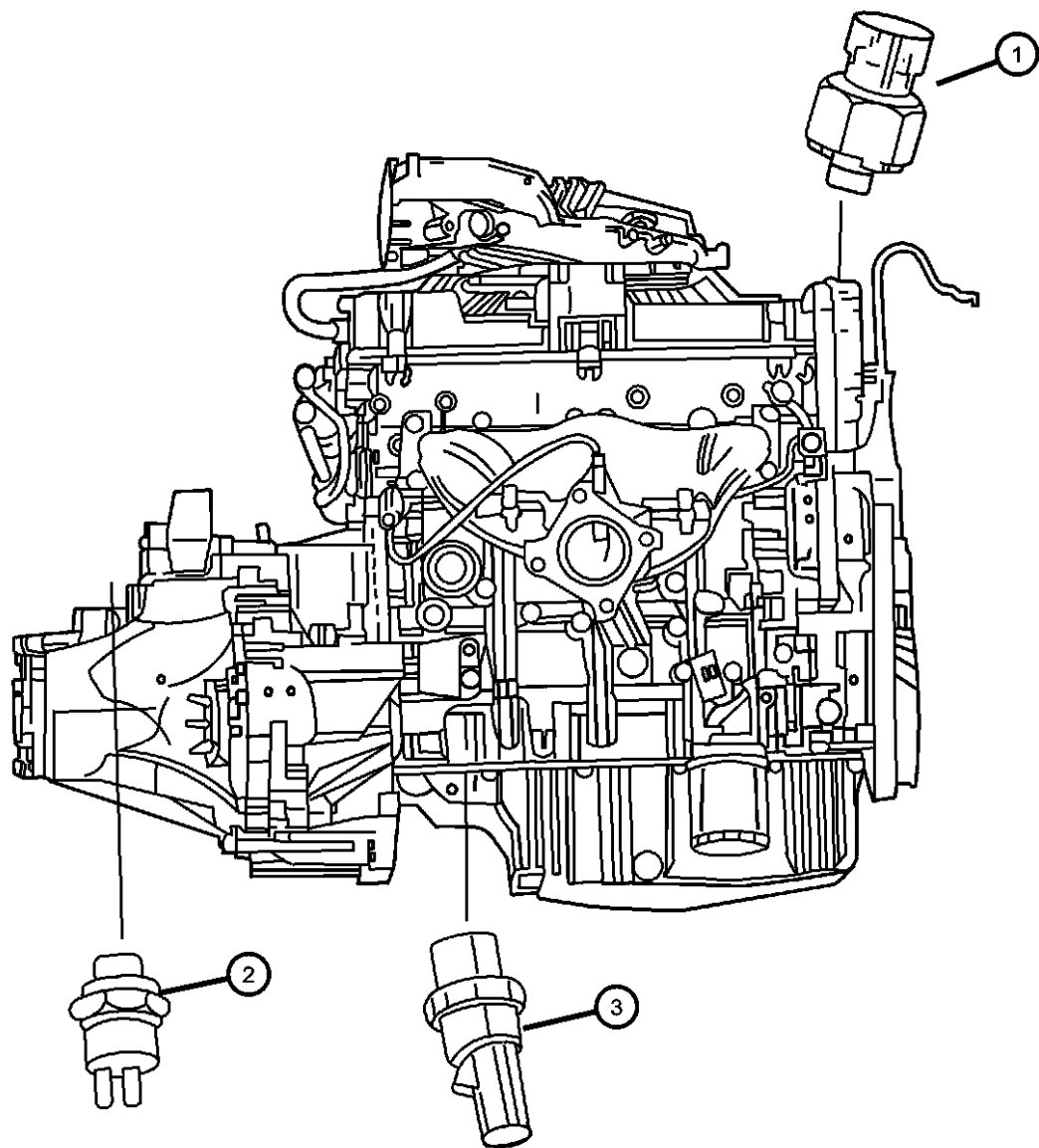
| | | | | |
|--------------|---|----------------|--|--|
| SERIES | LINE | BODY | ENGINE | TRANSMISSION |
| H = HIGHLINE | Z = CHRYSLER (RHD) C = CHRYSLER, LHD | 44 = Four Door | ECC = ENGINE - 2.0L 4 CYL DOHC 16V SMPI EDZ = ENGINE - 2.4L 4 CYL DOHC 16V SMPI | DGL = TRANSMISSION - 4-SPD. AUTOMATIC, 41TE DD5 = TRANSMISSION - 5-SPEED MANUAL DDO = All Manual Transmissions DGO = All Automatics |

AR = use ase required - = Non illustrated part

2001 PT

Switches, Power Train
Figure 8-810

| ITEM | PART NUMBER | QTY | LINE | SERIES | BODY | ENGINE | TRANS | TRIM | DESCRIPTION |
|------|-------------|-----|------|--------|------|--------|-------|------|-----------------------------------|
| 1 | 05014574AA | 1 | | | | | DGL | | SWITCH, A/C High Pressure Cut Off |
| 2 | 04864775 | 1 | | | | | DD5 | | SWITCH, Back Up Lamp |
| 3 | | | | | | | | | SWITCH, Oil Pressure |
| | 04608303 | 1 | | | | EDZ | | | |
| | | 1 | | | | ECC | | | |
| -4 | | | | | | | | | SWITCH, Power Steering |
| | 05269625 | 1 | C | | | | DD5 | | |
| | | 1 | Z | | | | DD5 | | |



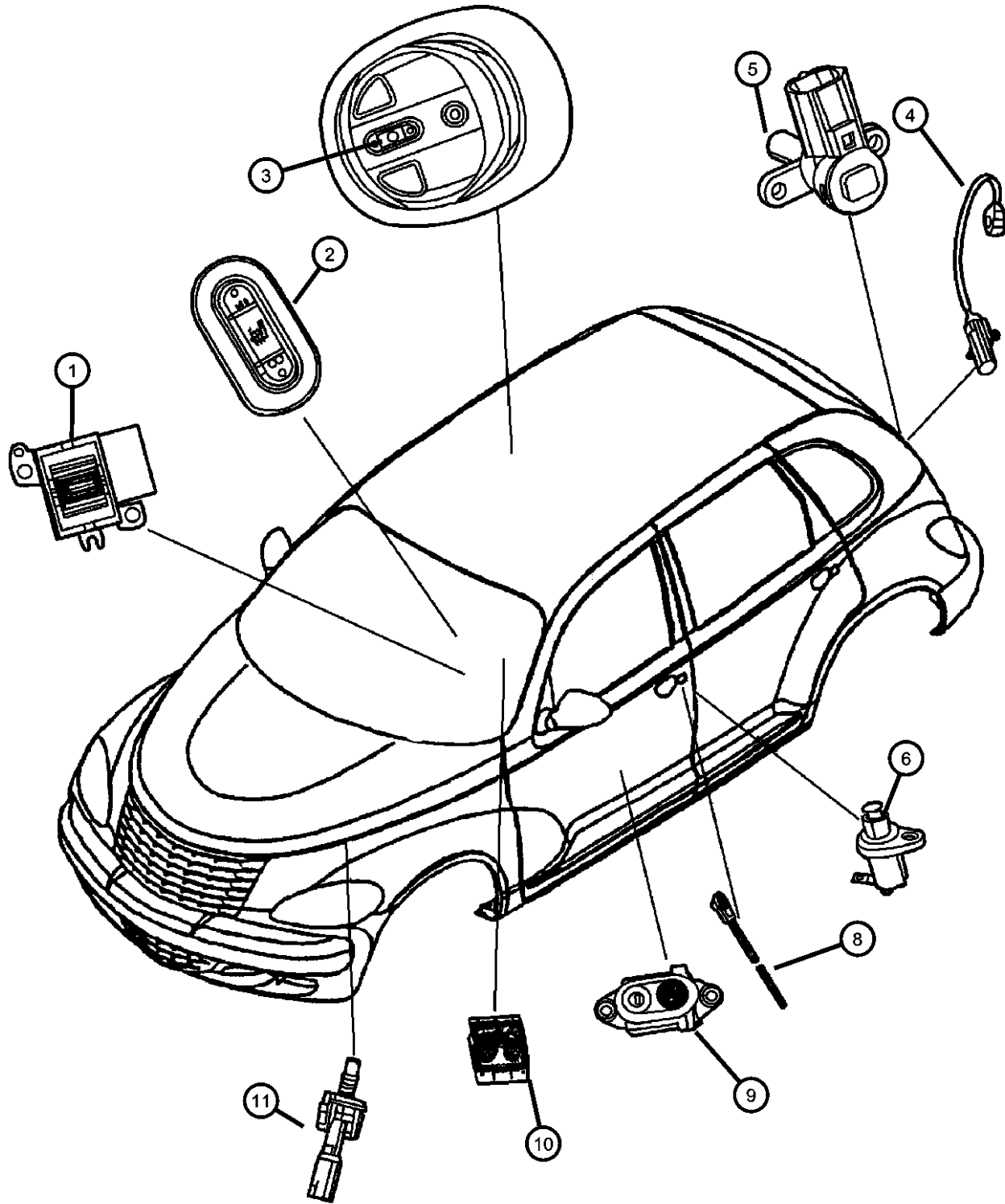
PT CRUISER (PT)

| | | | | |
|--------------|---|----------------|--|--|
| SERIES | LINE | BODY | ENGINE | TRANSMISSION |
| H = HIGHLINE | Z = CHRYSLER (RHD) C = CHRYSLER, LHD | 44 = Four Door | ECC = ENGINE - 2.0L 4 CYL DOHC 16V SMPI EDZ = ENGINE - 2.4L 4 CYL DOHC 16V SMPI | DGL = TRANSMISSION - 4-SPD. AUTOMATIC, 41TE DD5 = TRANSMISSION - 5-SPEED MANUAL DDO = All Manual Transmissions DGO = All Automatics |

AR = use ase required - = Non illustrated part

2001 PT

Switches, Body
Figure 8-815



| ITEM | PART NUMBER | QTY | LINE | SERIES | BODY | ENGINE | TRANS | TRIM | DESCRIPTION |
|------|-------------|-----|------|--------|------|--------|-------|------|-------------|
|------|-------------|-----|------|--------|------|--------|-------|------|-------------|

Note:
DD5=5 Speed Manual Transmission
DGL=4 Speed Auto Transmission
ECC = 2.0 DOHC 16V
EDZ = 2.4 D OHC 16V

| | | | | | | | | | |
|-----|------------|---|---|--|--|--|--|--|---|
| 1 | 04671623AA | 1 | | | | | | | SWITCH, Door Lock |
| 2 | | | | | | | | | SWITCH, Heated Seat |
| | 0QP36WL8AD | 2 | Z | | | | | | |
| | | 2 | C | | | | | | |
| 3 | | 2 | | | | | | | SWITCH, Sunroof, serviced in overhead console, (NOT SERVICED) |
| 4 | 04671677AB | 1 | | | | | | | SWITCH, Liftgate, Key Position |
| 5 | 56042454 | 1 | | | | | | | SWITCH, Liftgate, Ajar |
| 6 | 04671264 | 2 | | | | | | | SWITCH, Door Ajar, Front Door serviced in latch assembly, Rear Door |
| -7 | 04615952 | 2 | | | | | | | BUMPER, Door Ajar Switch |
| 8 | 05293090AA | 2 | | | | | | | SWITCH, Security Alarm |
| 9 | | | | | | | | | SWITCH, Lumbar Control |
| | 56042387 | 1 | C | | | | | | Hieght Adjuster |
| | | 1 | Z | | | | | | Hieght Adjuster |
| 10 | | | | | | | | | SWITCH AND BEZEL, Power Window |
| | 0TP421L8AC | 1 | | | | | | | 2 Gang [in rear of Console] up to 7/07/00 |
| | 0UG381L8AA | 1 | | | | | | | 2 Gang [in rear of Console] after 7/07/00 |
| 11 | 04707875AB | 1 | | | | | | | SWITCH, Underhood |
| -12 | 05209922 | 1 | | | | | | | SWITCH, Parking Brake |

PT CRUISER (PT)

SERIES LINE
H = HIGHLINE Z = CHRYSLER (RHD)
C = CHRYSLER, LHD

BODY
44 = Four Door

ENGINE
ECC = ENGINE - 2.0L 4 CYL DOHC 16V SMPI
EDZ = ENGINE - 2.4L 4 CYL DOHC 16V SMPI

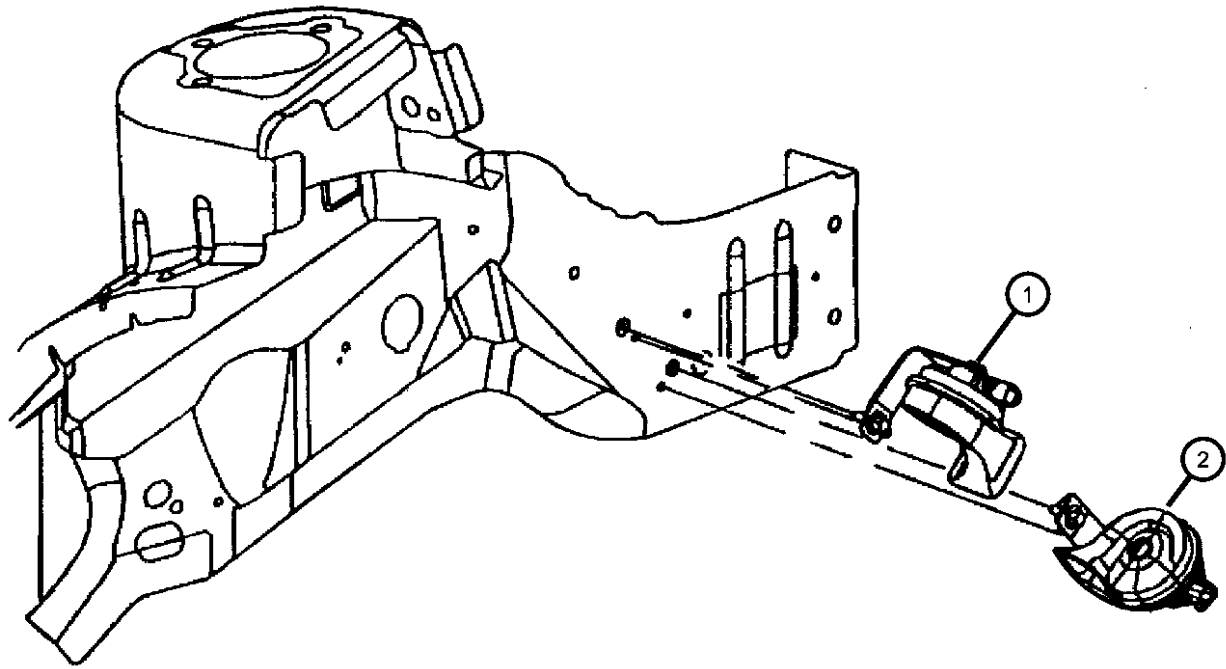
TRANSMISSION
DGL = TRANSMISSION - 4-SPD. AUTOMATIC, 41TE
DD5 = TRANSMISSION - 5-SPEED MANUAL
DDO = All Manual Transmissions
DGO = All Automatics

AR = use ase required - = Non illustrated part

2001 PT

Horns
Figure 8-905

| ITEM | PART NUMBER | QTY | LINE | SERIES | BODY | ENGINE | TRANS | TRIM | DESCRIPTION |
|------|-------------|-----|------|--------|------|--------|-------|------|-----------------------------|
| 1 | 04671746AA | 1 | | | | | | | HORN AND BRACKET, Low Note |
| 2 | 04671747AA | 1 | | | | | | | HORN AND BRACKET, High Note |



PT CRUISER (PT)

SERIES

LINE

BODY

ENGINE

TRANSMISSION

H = HIGHLINE

Z = CHRYSLER (RHD)

44 = Four Door

ECC = ENGINE - 2.0L 4 CYL DOHC 16V SMPI

DGL = TRANSMISSION - 4-SPD. AUTOMATIC, 41TE

C = CHRYSLER, LHD

EDZ = ENGINE - 2.4L 4 CYL DOHC 16V SMPI

DD5 = TRANSMISSION - 5-SPEED MANUAL

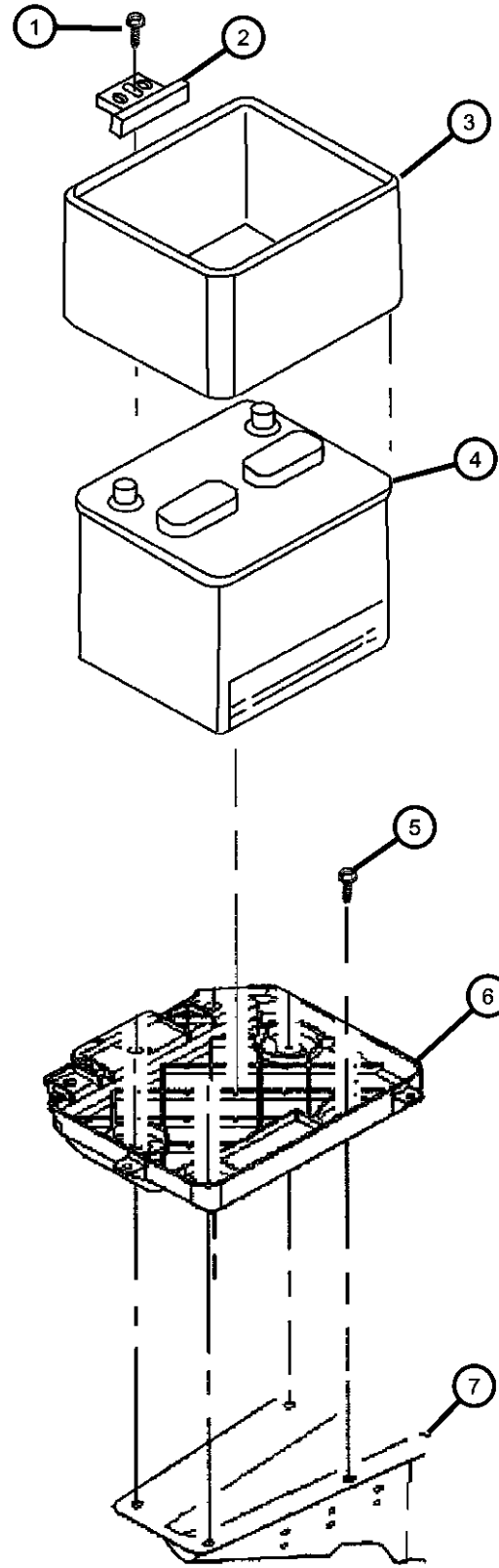
DDO = All Manual Transmissions

DGO = All Automatics

AR = use ase required - = Non illustrated part

2001 PT

**Battery Tray
Figure 8-1015**



| ITEM | PART NUMBER | QTY | LINE | SERIES | BODY | ENGINE | TRANS | TRIM | DESCRIPTION |
|--|-------------|-----|------|--------|------|----------|-------|------|---|
| ECC = 2.0L DOHC 16V EDZ = 2.4L 4 CYL DOHC 16V | | | | | | | | | |
| 1 | 04671747AA | 1 | | | | | | | SCREW, Hex Head, M8x1.25x55, (NOT SERVICED) |
| 2 | 04671781AA | 1 | | | | | | | RETAINER, Battery Hold Down |
| 3 | 05033084AB | 1 | | | | ECC, EDZ | | | SHIELD, Battery |
| 4 | 05017992AA | 1 | | | | | | | BATTERY, [See Mopar Battery Catalog] |
| | BA26R510EX | | | | | | | | Mopar Power Pro 6 |
| | 00467159AB | | | | | | | | Mopar Power Pro 7 |
| | 0VU01205 | | | | | | | | Repair Battery Terminal End Top Post (Ten Per Box) |
| | 0VU01207 | | | | | | | | Repair Battery Terminal End Side Post (Ten Per Box) |
| | BA26R450EX | | | | | | | | Mopar Power Pro 5 |
| 5 | 05017992AA | 1 | | | | | | | SCREW, Hex Flange Head, M6x1.00x35.00, (NOT SERVICED) |
| 6 | 04671780AA | 1 | | | | ECC, EDZ | | | TRAY, Battery |
| 7 | 04724931AC | 1 | | | | | | | SUPPORT, Battery Tray |
| -8 | 04794596AA | 1 | | | | | | | LABEL, Jump Start |
| -9 | 04671631AD | 1 | | | | ECC, EDZ | | | WIRING, Battery |
| -10 | 05027901AB | 1 | | | | | | | LABEL, Battery Jump Start, Negative post |

PT CRUISER (PT)

SERIES LINE
H = HIGHLINE Z = CHRYSLER (RHD)
 C = CHRYSLER, LHD

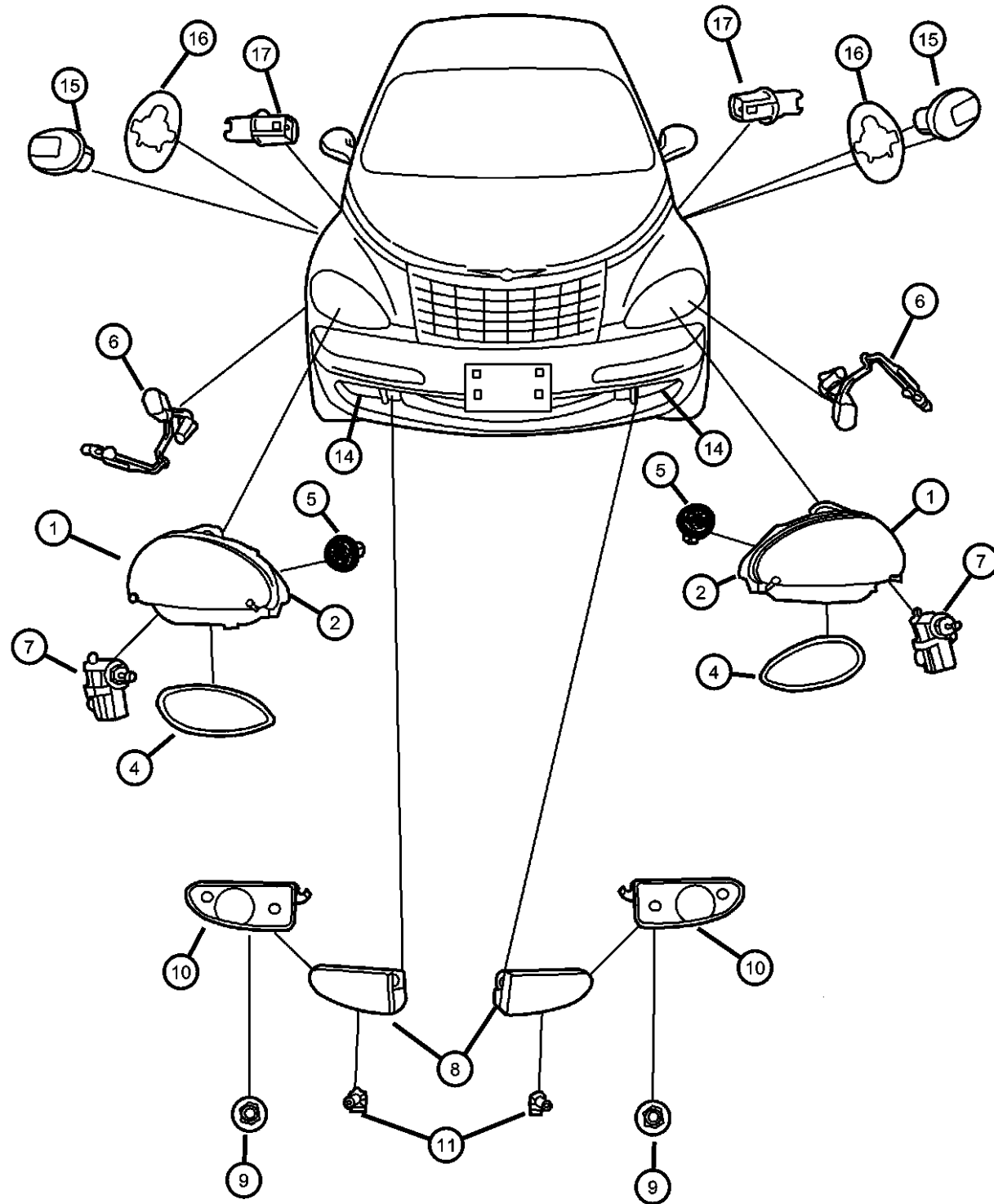
BODY
44 = Four Door

ENGINE
ECC = ENGINE - 2.0L 4 CYL DOHC 16V SMPI
EDZ = ENGINE - 2.4L 4 CYL DOHC 16V SMPI

TRANSMISSION
DGL = TRANSMISSION - 4-SPD. AUTOMATIC, 41TE
DD5 = TRANSMISSION - 5-SPEED MANUAL
DDO = All Manual Transmissions
DGO = All Automatics

AR = use ase required - = Non illustrated part

Lamps, Front
Figure 8-1105



| ITEM | PART NUMBER | QTY | LINE | SERIES | BODY | ENGINE | TRANS | TRIM | DESCRIPTION |
|------|-------------|-----|------|--------|------|--------|-------|------|--|
| 1 | | | | | | | | | MODULE, Headlamp |
| | 05288765AF | 1 | C | | | | | | Left |
| | 05288764AF | 1 | C | | | | | | Right |
| | 05288766AE | 1 | C | | | | | | Right, Export |
| | 05288767AE | 1 | C | | | | | | Left, Export |
| | 05288768AF | 1 | Z | | | | | | Right |
| | 05288769AF | 1 | Z | | | | | | Left |
| 2 | 05288769AF | 1 | | | | | | | PLATE, Headlamp, serviced with the Headlamp Module, (NOT SERVICED) |
| -3 | L0009006XS | 1 | C | | | | | | BULB, Headlamp, 9006XS |
| 4 | | | | | | | | | WELT, Headlamp |
| | 05288980AC | 1 | C | | | | | | Right |
| | | 1 | Z | | | | | | Right |
| | 05288981AC | 1 | C | | | | | | Left |
| | | 1 | Z | | | | | | Left |
| 5 | | | | | | | | | SOCKET, Side Marker |
| | 05288914AB | 1 | C | | | | | | |
| | 05288916AB | 1 | C | | | | | | Export |
| | | 1 | Z | | | | | | |
| 6 | | | | | | | | | WIRING, Headlamp |
| | 05288909AA | 1 | C | | | | | | Right & Left, Export |
| | | 1 | Z | | | | | | Right & Left, Export |
| 7 | | | | | | | | | MOTOR, Headlamp Leveling |
| | 05288904AB | 1 | C | | | | | | Right & Left, Export |
| | | 1 | Z | | | | | | Right & Left, Export |
| 8 | | | | | | | | | LAMP, Fog |
| | 05288796AC | 1 | | | | | | | Right |
| | 05288797AC | 1 | | | | | | | Left |
| 9 | 06504030 | 4 | | | | | | | NUT AND WASHER, Hex, M6x1Front Fog Lamp |
| 10 | | | | | | | | | ADAPTER, Fog Lamp |
| | 05288868AB | 1 | | | | | | | Right |
| | 05288869AB | 1 | | | | | | | Left |
| 11 | L0009006 | 1 | | | | | | | BULB, Headlamp, Front Fog Lamp |

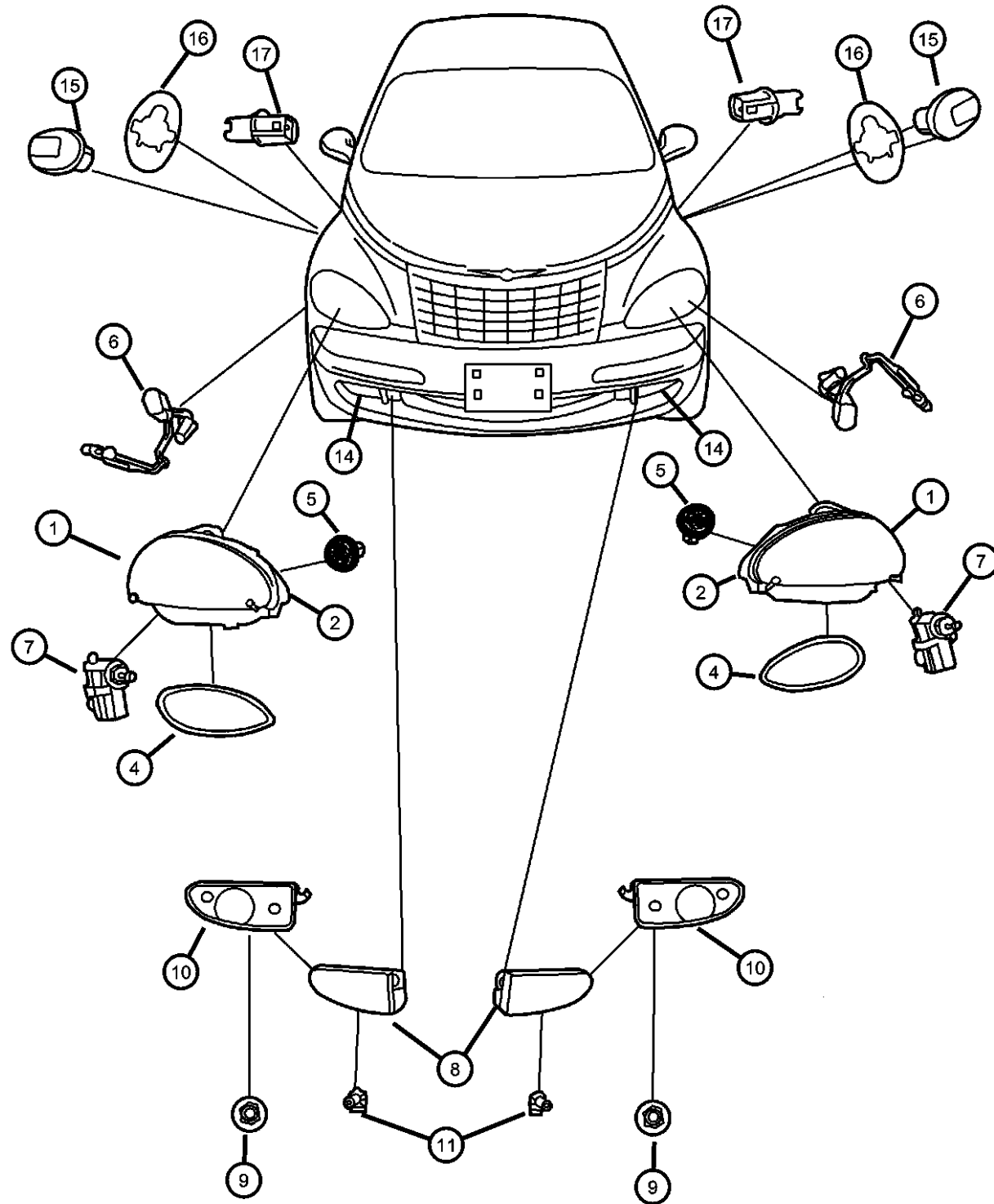
PT CRUISER (PT)

| | | | | |
|--------------|---|----------------|--|--|
| SERIES | LINE | BODY | ENGINE | TRANSMISSION |
| H = HIGHLINE | Z = CHRYSLER (RHD) C = CHRYSLER, LHD | 44 = Four Door | ECC = ENGINE - 2.0L 4 CYL DOHC 16V SMPI EDZ = ENGINE - 2.4L 4 CYL DOHC 16V SMPI | DGL = TRANSMISSION - 4-SPD. AUTOMATIC, 41TE DD5 = TRANSMISSION - 5-SPEED MANUAL DDO = All Manual Transmissions DGO = All Automatics |

AR = use ase required - = Non illustrated part

2001 PT

Lamps, Front
Figure 8-1105



| ITEM | PART NUMBER | QTY | LINE | SERIES | BODY | ENGINE | TRANS | TRIM | DESCRIPTION |
|------|-------------|-----|------|--------|------|--------|-------|------|---|
| -12 | 04523105 | 2 | C | | | | | | SOCKET, Cornering Lamp |
| -13 | 04399599 | 1 | | | | | | | SEALExport |
| 14 | | | | | | | | | PLUG, Front Fascia |
| | 05288850AA | 1 | | | | | | | Without Fog Lamp, Right |
| | 05288851AA | 1 | | | | | | | Without Fog Lamp, Left |
| 15 | 05288895AB | 2 | | | | | | | LAMP, Side RepeaterExport |
| 16 | 04676801 | 2 | | | | | | | GASKET, Side Marker LampExport |
| 17 | 05288931AA | 2 | | | | | | | SOCKET, Side Repeater Lamp |
| -18 | | | | | | | | | BULB, Headlamp, H-7 |
| | 00154890AA | 1 | C | | | | | | |
| | | 1 | Z | | | | | | |
| -19 | L002825W5W | 2 | | | | | | | BULB, W10/5Front Fender Side Repeater, Export |
| -20 | 00154851AA | 1 | | | | | | | BULB, 3157 |
| -21 | | | | | | | | | BULB, 3757APY27/7W |
| | L003757A | 1 | C | | | | | | |
| | | 1 | Z | | | | | | |
| -22 | | | | | | | | | BULB, W10/5 |
| | 00153625 | 1 | C | | | | | | Export |
| | | 1 | Z | | | | | | |
| -23 | L04157NAKX | 1 | C | | | | | | BULB, 4157 NAKX, Park/turn signal/side marker |
| -24 | 00L09006XS | 1 | C | | | | | | BULB, Headlamp, 9006XS, low beam |
| -25 | L09005XSLL | 1 | C | | | | | | BULB, Headlamp, high beam |

PT CRUISER (PT)

SERIES LINE
H = HIGHLINE Z = CHRYSLER (RHD)
C = CHRYSLER, LHD

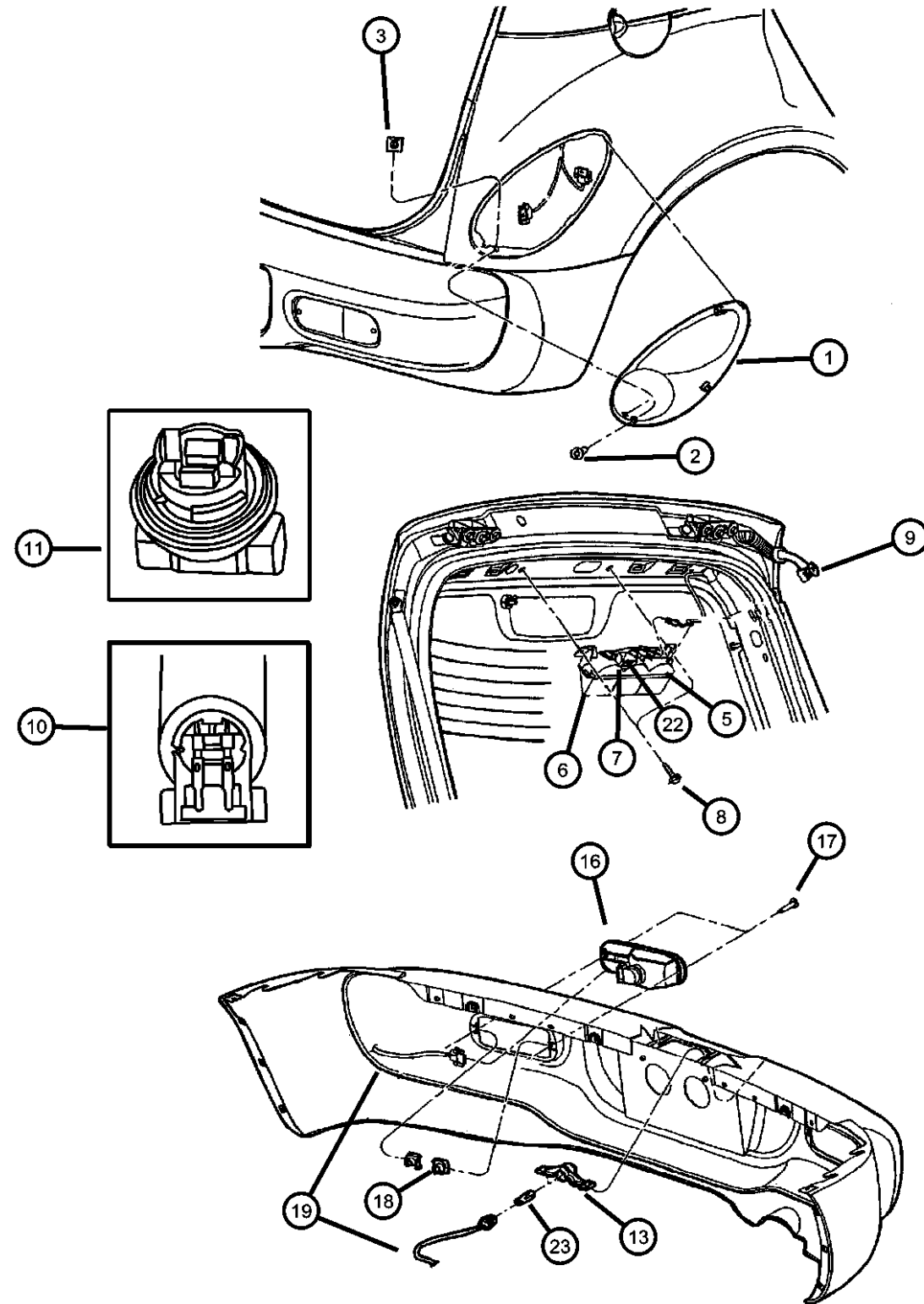
BODY
44 = Four Door

ENGINE TRANSMISSION
ECC = ENGINE - 2.0L 4 CYL DOHC 16V SMPI DGL = TRANSMISSION - 4-SPD. AUTOMATIC, 41TE
EDZ = ENGINE - 2.4L 4 CYL DOHC 16V SMPI DD5 = TRANSMISSION - 5-SPEED MANUAL
DDO = All Manual Transmissions
DGO = All Automatics

AR = use ase required - = Non illustrated part

2001 PT

Lamps, Rear
Figure 8-1110



| ITEM | PART NUMBER | QTY | LINE | SERIES | BODY | ENGINE | TRANS | TRIM | DESCRIPTION |
|------|-------------|-----|------|--------|------|--------|-------|------|---|
| 1 | 05288742AE | 1 | | | | | | | LAMP, Tail Stop Turn Right |
| | 05288743AE | 1 | | | | | | | Left |
| 2 | 06505460AA | 2 | | | | | | | SCREW, Pan Head, M6 x 1.00 x 25.00Tail Lamp |
| 3 | 06506130AA | 2 | | | | | | | NUT, U Multi Thread, M6 x 1.0 x 16Tail Lamp |
| -4 | 05288888AC | 2 | | | | | | | CLIP, Tail Lamp |
| 5 | 05288750AB | 1 | | | | | | | HOUSING, CHMSL |
| 6 | 05288749AA | 1 | | | | | | | LENS, CHMSL |
| 7 | 05288897AA | 1 | | | | | | | WIRING, CHMSL |
| 8 | 06102152AA | AR | | | | | | | SCREW, Tapping Hex Flange Head, M6.3x1.81x20.00 |
| 9 | 04671518AD | 1 | | | | | | | WIRING, Liftgate Without Power Doors |
| | 04671519AD | 1 | | | | | | | |
| 10 | 04523105 | 1 | Z | | | | | | SOCKET, Cornering Lamp |
| | | 2 | C | | | | | | Back Up Lamp |
| 11 | 04805206AA | 1 | | | | | | | SOCKET, LampTail Lamp |
| -12 | 04399599 | 1 | | | | | | | SEAL Tail Lamp Socket Back Up Lamp |
| 13 | 05303021 | 1 | C | | | | | | LAMP, License Plate |
| | | 2 | Z | | | | | | |
| -14 | 06036366AA | 2 | C | | | | | | SCREW, Tapping, .164- 18x.75License Lamp |
| -15 | 06035837 | 2 | C | | | | | | NUT/SPRING, "U"1THD, For .164-15 Screw License Lamp |
| | | 4 | Z | | | | | | |
| 16 | 05288752AC | 2 | C | | | | | | LAMP, BackUp |
| | | 1 | Z | | | | | | |
| | 05288826AB | 1 | | | | | | | Export |

PT CRUISER (PT)

SERIES LINE
H = HIGHLINE Z = CHRYSLER (RHD)
C = CHRYSLER, LHD

BODY
44 = Four Door

ENGINE
ECC = ENGINE - 2.0L 4 CYL
DOHC 16V SMPI
EDZ = ENGINE - 2.4L 4 CYL
DOHC 16V SMPI

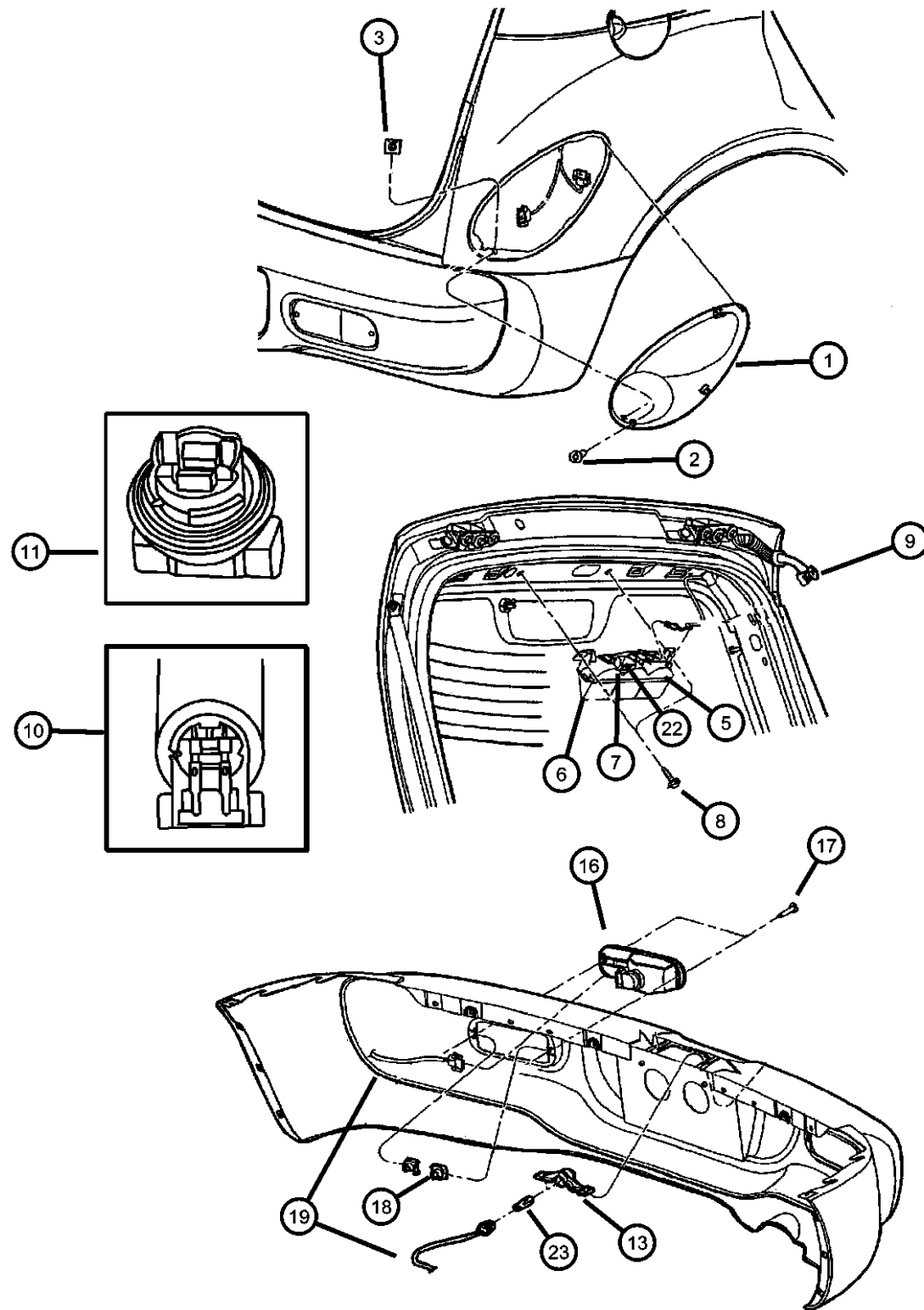
TRANSMISSION
DGL = TRANSMISSION - 4-SPD.
AUTOMATIC, 41TE
DD5 = TRANSMISSION - 5-SPEED
MANUAL
DDO = All Manual Transmissions
DGO = All Automatics

AR = use ase required - = Non illustrated part

2001 PT

Lamps, Rear
Figure 8-1110

| ITEM | PART NUMBER | QTY | LINE | SERIES | BODY | ENGINE | TRANS | TRIM | DESCRIPTION |
|------|-------------|-----|------|--------|------|--------|-------|------|--|
| 17 | 06505887AA | 4 | C | | | | | | SCREW, Pan Head, M4 x 0.70 x 25.00Back Up Lamp |
| 18 | 06505468AA | 4 | C | | | | | | NUT, U Multi Thread |
| 19 | | | | | | | | | WIRING, Rear Fascia |
| | 04671528AB | 1 | C | | | | | | |
| | 04671679AB | 1 | Z | | | | | | |
| -20 | 00153625 | 2 | | | | | | | BULB, W10/5License Plate Lamp, Export |
| -21 | | | | | | | | | BULB, 3157 |
| | 00154851AA | 1 | | | | | | | Tail Lamp |
| | L0003157 | 1 | Z | | | | | | Back Up Lamp |
| 22 | L000921E | 3 | | | | | | | BULB, 921CHMSL |
| 23 | L0000168 | 1 | C | | | | | | BULB, 168License Lamp |
| -24 | 05288758AC | 1 | | | | | | | LAMP, Fog |



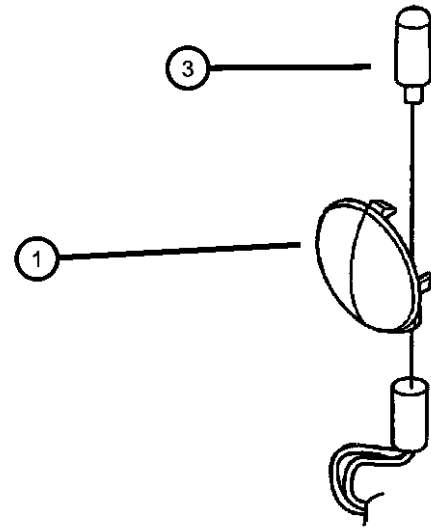
PT CRUISER (PT)

| | | | | |
|--------------|---|----------------|--|--|
| SERIES | LINE | BODY | ENGINE | TRANSMISSION |
| H = HIGHLINE | Z = CHRYSLER (RHD) C = CHRYSLER, LHD | 44 = Four Door | ECC = ENGINE - 2.0L 4 CYL DOHC 16V SMPI EDZ = ENGINE - 2.4L 4 CYL DOHC 16V SMPI | DGL = TRANSMISSION - 4-SPD. AUTOMATIC, 41TE DD5 = TRANSMISSION - 5-SPEED MANUAL DDO = All Manual Transmissions DGO = All Automatics |

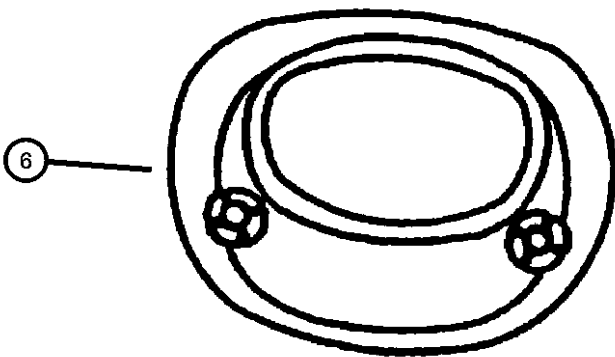
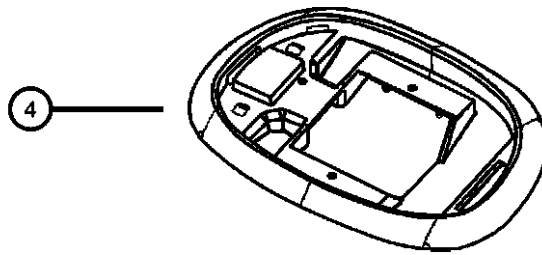
AR = use ase required - = Non illustrated part

2001 PT

Lamps, Cargo-Dome-Courtesy-Reading
Figure 8-1115



| ITEM | PART NUMBER | QTY | LINE | SERIES | BODY | ENGINE | TRANS | TRIM | DESCRIPTION |
|------|-------------|-----|------|--------|------|--------|-------|------|-----------------------------|
| 1 | 05018023AA | 1 | | | | | | | LENS, Cargo Lamp |
| -2 | 05018024AA | 1 | | | | | | | HOUSING, Cargo Lamp |
| 3 | L0000168 | 1 | C | | | | | | BULB, 168 |
| 4 | 0JV76MF1 | 1 | C | | | | | | LAMP, Dome |
| -5 | 00154762 | 1 | | | | | | | BULB, 579 |
| 6 | 0RP45MF1AE | 1 | | | | | | | SENSOR, Intrusion Module |
| -7 | 04793554 | 1 | | | | | | | POWER OUTLET, Cigar Lighter |



PT CRUISER (PT)

SERIES LINE
H = HIGHLINE Z = CHRYSLER (RHD)
C = CHRYSLER, LHD

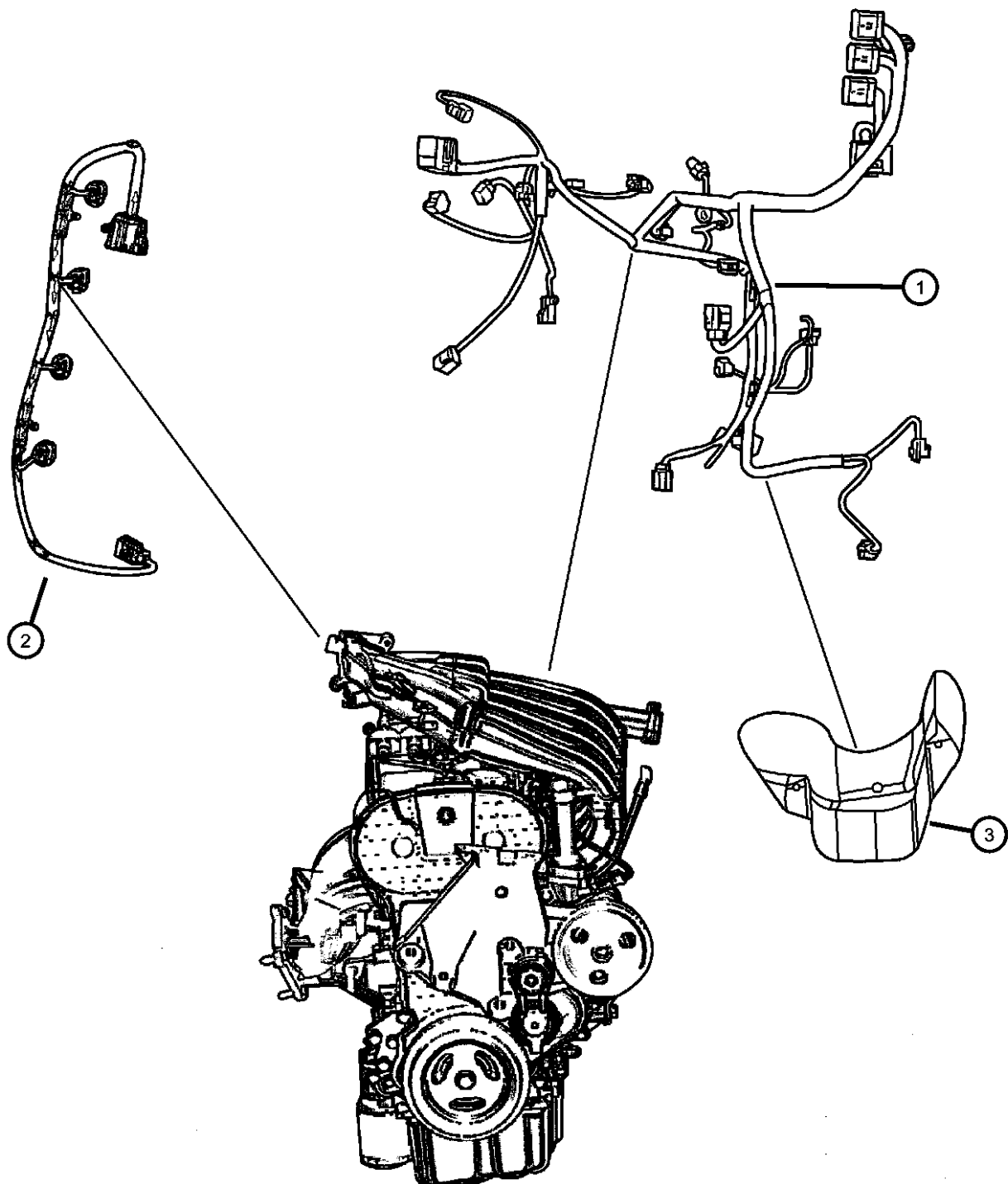
BODY
44 = Four Door

ENGINE TRANSMISSION
ECC = ENGINE - 2.0L 4 CYL DOHC 16V SMPI DGL = TRANSMISSION - 4-SPD. AUTOMATIC, 41TE
EDZ = ENGINE - 2.4L 4 CYL DOHC 16V SMPI DD5 = TRANSMISSION - 5-SPEED MANUAL
DDO = All Manual Transmissions
DGO = All Automatics

AR = use ase required - = Non illustrated part

2001 PT

**Wiring Engine
Figure 8-1205**



| ITEM | PART NUMBER | QTY | LINE | SERIES | BODY | ENGINE | TRANS | TRIM | DESCRIPTION |
|------|-------------|-----|------|--------|------|----------|-------|------|---------------------------------|
| 1 | 04671469AD | 1 | | | | ECC, EDZ | DD5 | | WIRING, Engine up to 7/10/00 |
| | 04671713AD | 1 | | | | ECC, EDZ | DGL | | up to 7/10/00 |
| | 04794744AA | 1 | | | | ECC, EDZ | DD5 | | after 7/10/00 |
| | 04794745AA | 1 | | | | ECC, EDZ | DGL | | after 7/10/00 |
| 2 | 04671686AB | 1 | | | | EDZ | | | WIRING, Injector |
| | | 1 | | | | ECC | | | |
| 3 | 04671701AF | 1 | | | | EDZ | | | SHIELD, Wiring |
| | 04794457AB | 1 | | | | ECC | | | |
| -4 | 06504516 | 2 | | | | EDZ | | | NUT AND WASHER, M6x1.00 |
| -5 | 06504175 | 3 | | | | ECC | | | NUT AND WASHER, Hex, M8x1.25 |
| | | 1 | | | | EDZ | | | |

PT CRUISER (PT)

| | | | | |
|--------------|---|----------------|--|--|
| SERIES | LINE | BODY | ENGINE | TRANSMISSION |
| H = HIGHLINE | Z = CHRYSLER (RHD) C = CHRYSLER, LHD | 44 = Four Door | ECC = ENGINE - 2.0L 4 CYL DOHC 16V SMPI EDZ = ENGINE - 2.4L 4 CYL DOHC 16V SMPI | DGL = TRANSMISSION - 4-SPD. AUTOMATIC, 41TE DD5 = TRANSMISSION - 5-SPEED MANUAL DDO = All Manual Transmissions DGO = All Automatics |

AR = use ase required - = Non illustrated part

2001 PT

Wiring, Headlamp to Dash
Figure 8-1305

| ITEM | PART NUMBER | QTY | LINE | SERIES | BODY | ENGINE | TRANS | TRIM | DESCRIPTION |
|------|-------------|-----|------|--------|------|--------|-------|------|-------------|
|------|-------------|-----|------|--------|------|--------|-------|------|-------------|

ECC = 2.0 DOHC DD5 = Manual Trans
 EDZ = 2.4 DOHC DGL = Auto Trans

1

WIRING, Headlamp and Dash

| | | | | | | | | | |
|--|------------|---|---|--|--|----------|-----|--|--|
| | 04671493AB | 1 | C | | | ECC | DD5 | | up to 7/24/00, Without ABS, Export |
| | 04671494AC | 1 | C | | | ECC | DD5 | | With ABS, Export up to 7/24/00, Export |
| | 04671495AB | 1 | Z | | | ECC | DD5 | | up to 7/24/00, Without ABS, Right Hand Drive |
| | 04671496AB | 1 | Z | | | ECC | DD5 | | With ABS up to 7/24/00, Right Hand Drive |
| | 04671497AB | 1 | C | | | ECC, EDZ | DD5 | | up to 7/24/00, Without ABS |
| | 04671498AB | 1 | C | | | ECC, EDZ | DD5 | | With ABS up to 7/24/00 |
| | 04671727AC | 1 | C | | | ECC, EDZ | DGL | | With LME up to 7/24/00, Anti-Lock Brake, Export |
| | 04671728AB | 1 | C | | | ECC, EDZ | DGL | | up to 7/24/00, Without ABS, Export |
| | 04671729AC | 1 | C | | | ECC, EDZ | DGL | | With LMM up to 7/24/00, Anti-Lock Brake, Export |
| | 04671730AB | 1 | Z | | | ECC | DGL | | up to 7/24/00, Without ABS, Right Hand Drive |
| | 04671731AB | 1 | Z | | | ECC | DGL | | With ABS up to 7/24/00 |
| | 04671732AB | 1 | C | | | EDZ | DGL | | Without ABS, With Fog Lamps, Security Alarm up to 7/24/00 |
| | 04671733AC | 1 | C | | | EDZ | DGL | | With ABS up to 7/24/00 |
| | 04671734AB | 1 | C | | | EDZ | DGL | | Without ABS, Fog Lamps, Security Alarm up to 7/24/00 |
| | 04794551AB | 1 | C | | | EDZ | DGL | | 2.4, Auto Trans, Halogen Headlamps Quad, Fog Lamps, Security, Speed Control, Mini Overhead Console, Power Seat After 7/24/00 |
| | 04794552AB | 1 | C | | | ECC, EDZ | DD5 | | 2.0, 2.4, Manual Trans, Headlamps Halogen Quads, Front Disc/ Rear Drums w/o ABS after 7/24/00 |
| | 04794553AB | 1 | C | | | ECC, EDZ | DD5 | | 2.0, 2.4 Manual Trans, Halogen Headlamps Quad, 4 Wheel ABS after 7/24/00 |
| | 04794554AB | 1 | C | | | ECC, EDZ | DGL | | 2.0, 2.4, Auto Trans, Halogen Headlamps Quad, w/o ABS after 7/14/00 |
| | 04794555AB | 1 | C | | | ECC, EDZ | DGL | | 2.0, 2.4, Auto Trans, Halogen Headlamps Quad, 4 Wheel ABS after 7/24/00 |

PT CRUISER (PT)

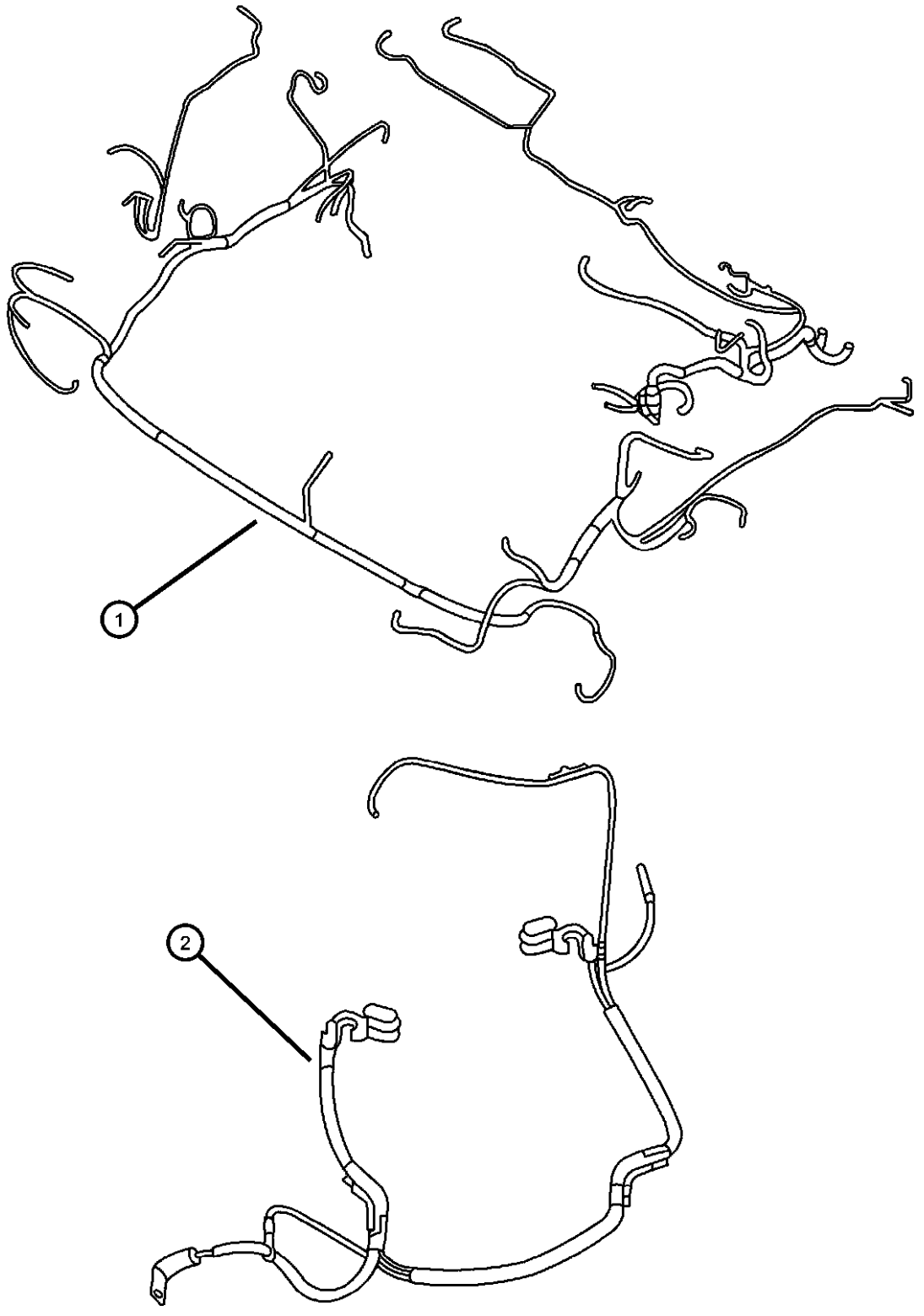
| SERIES | LINE | BODY | ENGINE | TRANSMISSION |
|--------------|---|----------------|--|--|
| H = HIGHLINE | Z = CHRYSLER (RHD) C = CHRYSLER, LHD | 44 = Four Door | ECC = ENGINE - 2.0L 4 CYL DOHC 16V SMPI EDZ = ENGINE - 2.4L 4 CYL DOHC 16V SMPI | DGL = TRANSMISSION - 4-SPD. AUTOMATIC, 41TE DD5 = TRANSMISSION - 5-SPEED MANUAL DDO = All Manual Transmissions DGO = All Automatics |

AR = use ase required - = Non illustrated part

2001 PT

Wiring, Headlamp to Dash
Figure 8-1305

| ITEM | PART NUMBER | QTY | LINE | SERIES | BODY | ENGINE | TRANS | TRIM | DESCRIPTION |
|------|-------------|-----|------|--------|------|----------|-------|------|--|
| | 04794556AB | 1 | C | | | ECC | DD5 | | 2.0, Manual Trans, Quad Headlamps Lefthand Drive Optics, 4 Wheel ABS after 7/24/00 |
| | 04794557AB | 1 | Z | | | ECC | DD5 | | 2.0, Manual Trans, Righthand Drive Optics, Front Disc/ Rear Drum w/o ABS after 7/24/00 |
| | 04794558AB | 1 | Z | | | ECC | DD5 | | 2.0 Manual Trans, Righthand Drive Optics, 4 Wheel ABS After 7/24/00 |
| | 04794559AB | 1 | C | | | ECC, EDZ | DGL | | 2.0, 2.4 Auto Trans, Quad Headamps Lefthand Drive Optics, Front Disc/Rear Drum w/o ABS after 7/24/00 |
| | 04794560AB | 1 | C | | | ECC, EDZ | DGL | | 2.0, 2.4, Auto Trans,Quad Headlamps Lefthand Drive Optics, 4 Wheel ABS after 7/24/00 |
| | 04794561AB | 1 | Z | | | ECC | DGL | | 2.0, Auto Trans, Righthand Drive Optics, Front Disc/ Rear Drum w/o ABS 7/24/00 |
| | 04794562AB | 1 | Z | | | ECC | DGL | | 2.0 Auto Trans, Righthand Drive Optics, 4 wheel ABS after 7/24/00 |
| | 04794563AB | 1 | C | | | EDZ | DGL | | 2.4 Auto Trans, 4 Wheel ABS after 7/24/00 |
| | 04794564AB | 1 | C | | | EDZ | DGL | | 2.4 Auto Trans, Halogen Headlamps Quad, 4 Wheel ABS after 7/24/00 |
| | 04794565AB | 1 | C | | | ECC | DD5 | | 2.0, Manual Trans, Quad Headlamps Left Hand Drive Optics |
| | 04794777AA | 1 | C | | | ECC, EDZ | DD5 | | 2.0,2.4 Manual, Quad Headlamp, Without Security, Without ABS |
| | 04794778AA | 1 | C | | | ECC, EDZ | DD5 | | With ABS, Quad Headlamp |
| 2 | 04671631AD | 1 | | | | ECC, EDZ | | | WIRING, Battery |
| -3 | 04793737AC | 1 | | | | | | | BRACKET, Power Distribution Center |



PT CRUISER (PT)

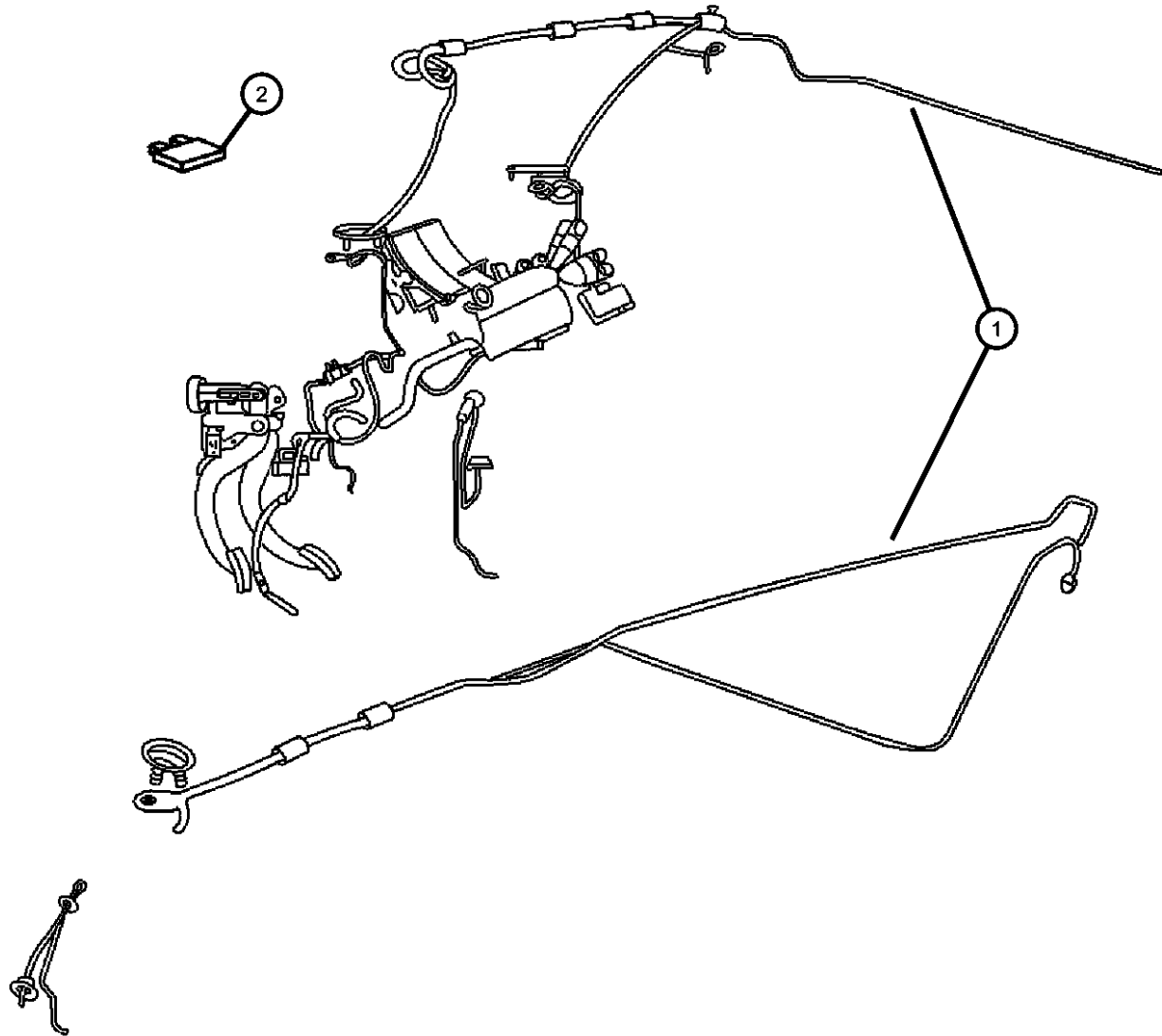
| | | | | |
|--------------|---|----------------|--|---|
| SERIES | LINE | BODY | ENGINE | TRANSMISSION |
| H = HIGHLINE | Z = CHRYSLER (RHD) C = CHRYSLER, LHD | 44 = Four Door | ECC = ENGINE - 2.0L 4 CYL DOHC 16V SMPI EDZ = ENGINE - 2.4L 4 CYL DOHC 16V SMPI | DGL = TRANSMISSION - 4-SPD. AUTOMATIC,41TE DD5 = TRANSMISSION - 5-SPEED MANUAL DDO = All Manual Transmissions DGO = All Automatics |

AR = use ase required - = Non illustrated part

2001 PT

Wiring, Instrument Panel
Figure 8-1405

| ITEM | PART NUMBER | QTY | LINE | SERIES | BODY | ENGINE | TRANS | TRIM | DESCRIPTION |
|------|-------------|-----|------|--------|------|--------|-------|------|--|
| 1 | | | | | | | | | WIRING, Instrument Panel |
| | 04671430AE | 1 | C | | | | | | With Manual Remote Mirrors up to 7/24/00 |
| | 04671437AE | 1 | C | | | | | | With Manual Remote Mirrors, Light Group, Traction Control, Fog Lamps, Side Impact Air Bags, Overhead Console up to 7/24/00 |
| | 04671456AD | 1 | C | | | | | | With Power Heated Fold Away Mirrors, Power Door Locks, Security, without Headlamp Leveling, up to 7/24/00 |
| | 04671458AD | 1 | C | | | | | | With Power Heated Fold Away Mirrors, Headlamp Leveling, Power Door Locks, Security up to 7/24/00 |
| | 04671460AE | 1 | Z | | | | | | With Power Heated Fold Away Mirrors up to 7/34/00 |
| | 04671465AD | 1 | Z | | | | | | With Power Heated Remote Control Mirrors, Power Door Locks, Security up to 7/24/00 |
| | 04794694AA | 1 | C | | | | | | With Manual Remote Control Mirrors after 7/24/00 |
| | 04794695AA | 1 | C | | | | | | With Manual Remote Control Mirrors, Light Group, Traction Control, Fog Lamps, Side Impact Air Bags, Overhead Console after 7/24/00 |
| | 04794696AA | 1 | C | | | | | | With Power Heated Fold Away Mirrors, after 7/24/00 |
| | 04794697AA | 1 | C | | | | | | With Power Heated Fold Away Mirrors, Headlamp Leveling, after 7/24/00 |
| | 04794698AA | 1 | Z | | | | | | With Power Heated Fold Away Mirrors, after 7/24/00 |
| | 04794701AA | 1 | C | | | | | | With Power Heated Fold Away Mirrors, Security after 7/24/00 |
| 2 | 000ATM10 | 2 | C | | | | | | FUSE, Mini, 10 AMP, Red |
| -3 | | | | | | | | | FLASHER |
| | 04671714AA | 1 | C | | | | | | Export |
| | 04671715AA | 1 | | | | | | | |



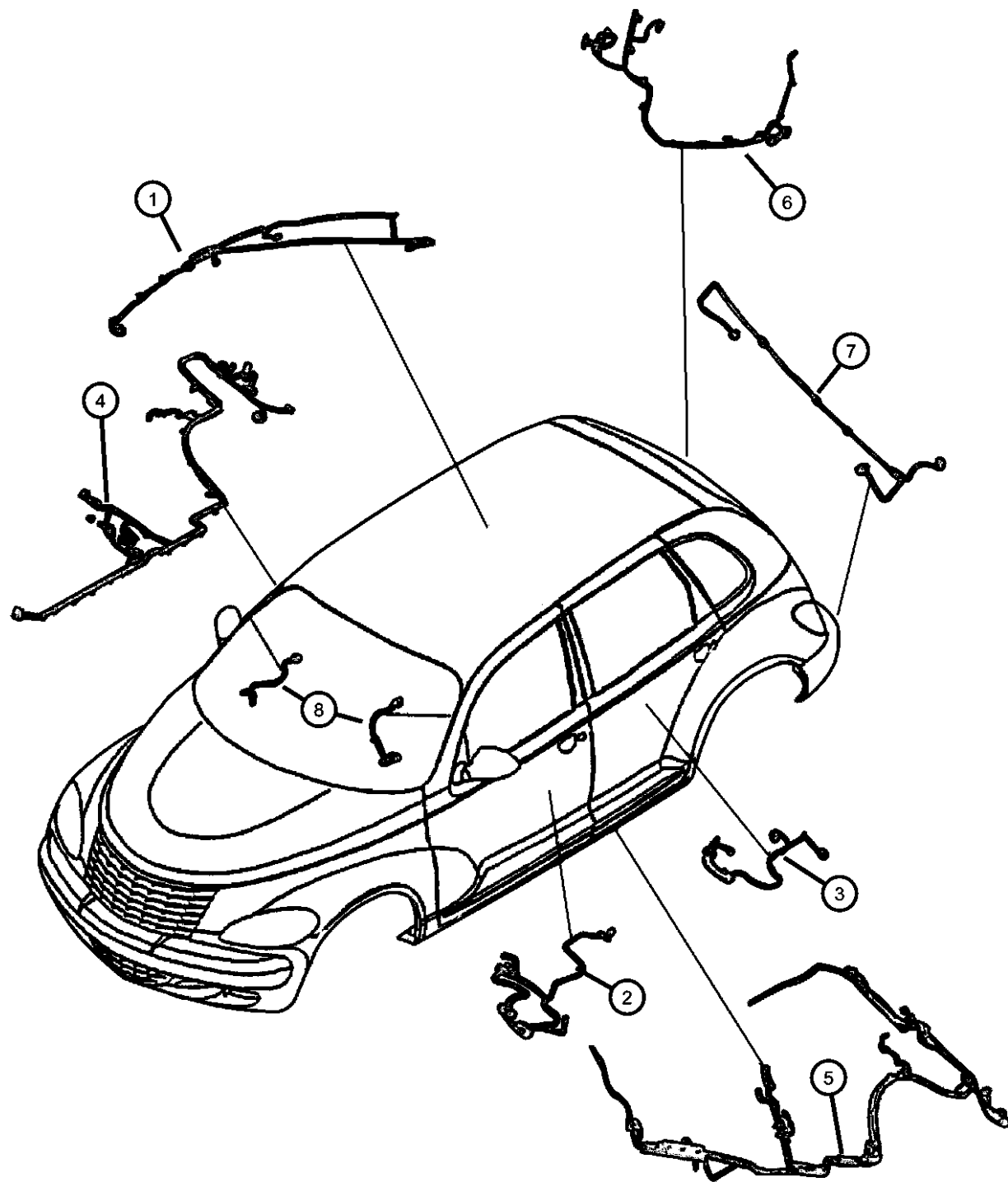
PT CRUISER (PT)

| | | | | |
|--------------|---|----------------|--|--|
| SERIES | LINE | BODY | ENGINE | TRANSMISSION |
| H = HIGHLINE | Z = CHRYSLER (RHD) C = CHRYSLER, LHD | 44 = Four Door | ECC = ENGINE - 2.0L 4 CYL DOHC 16V SMPI EDZ = ENGINE - 2.4L 4 CYL DOHC 16V SMPI | DGL = TRANSMISSION - 4-SPD. AUTOMATIC, 41TE DD5 = TRANSMISSION - 5-SPEED MANUAL DDO = All Manual Transmissions DGO = All Automatics |

AR = use as required - = Non illustrated part

2001 PT

Wiring Body and Accessory
Figure 8-1505



| ITEM | PART NUMBER | QTY | LINE | SERIES | BODY | ENGINE | TRANS | TRIM | DESCRIPTION |
|------|-------------|-----|------|--------|------|--------|-------|------|-------------|
|------|-------------|-----|------|--------|------|--------|-------|------|-------------|

Note:
 CSV = Assist Handles
 CUD = Mini Overhead Console
 ECC=2.0L 4 Cyl DOHC 16V
 EDZ=2.4L 4 Cyl DOHC 16V
 GNC = Illuminated Visor
 GNG = Rear View Mirror W/ Reading Lamp
 GWA = Power Sunroof
 LCS Security System Premium,

| | | | | | | | | | |
|---|------------|---|---|--|--|--|--|--|---|
| 1 | | | | | | | | | WIRING, Headliner |
| | 04671520AA | 1 | C | | | | | | with Illuminated Visor and Rear View Mirror |
| | 04671521AA | 1 | | | | | | | with Assist Handles |
| | 04671523AA | 1 | | | | | | | with Assist Handles and Security |
| | 04671525AA | 1 | | | | | | | with Assist Handles, Sunroof, Mini Console, without Security |
| | 04671527AA | 1 | | | | | | | with Assist Handles, Security, Sunroof, Mini Console, |
| | 04671678AA | 1 | | | | | | | with Mini Overhead Console, Assist Handle |
| 2 | | | | | | | | | WIRING, Front Door |
| | 04671507AE | 2 | | | | | | | without Power Mirrors up to 07/24/00 |
| | 04671512AE | 2 | | | | | | | with Power Mirrors without Power Locks up to 07/24/00 |
| | 04671514AD | 2 | | | | | | | with Power Locks up to 07/24/00 |
| | 04794546AA | 2 | | | | | | | with Power Windows After 07/24/00 |
| | 04794548AA | 2 | | | | | | | with Power Door Locks, After 07/24/00 |
| 3 | | | | | | | | | WIRING, Rear Door |
| | 04671516AA | 2 | | | | | | | with Power Windows, without Power Locks |
| | 04671517AB | 2 | | | | | | | with Power Door Locks |
| 4 | | | | | | | | | WIRING, Body Right |
| | 04671500AC | 1 | C | | | | | | with Power Windows without Side Impact Air Bags, up to 07/24/00 |
| | 04671502AD | 1 | C | | | | | | with Power Locks with Side Impact Air Bags up to 07/24/00 |
| | | 1 | Z | | | | | | with Power Locks with Side Impact Air Bags up to 07/24/00 |

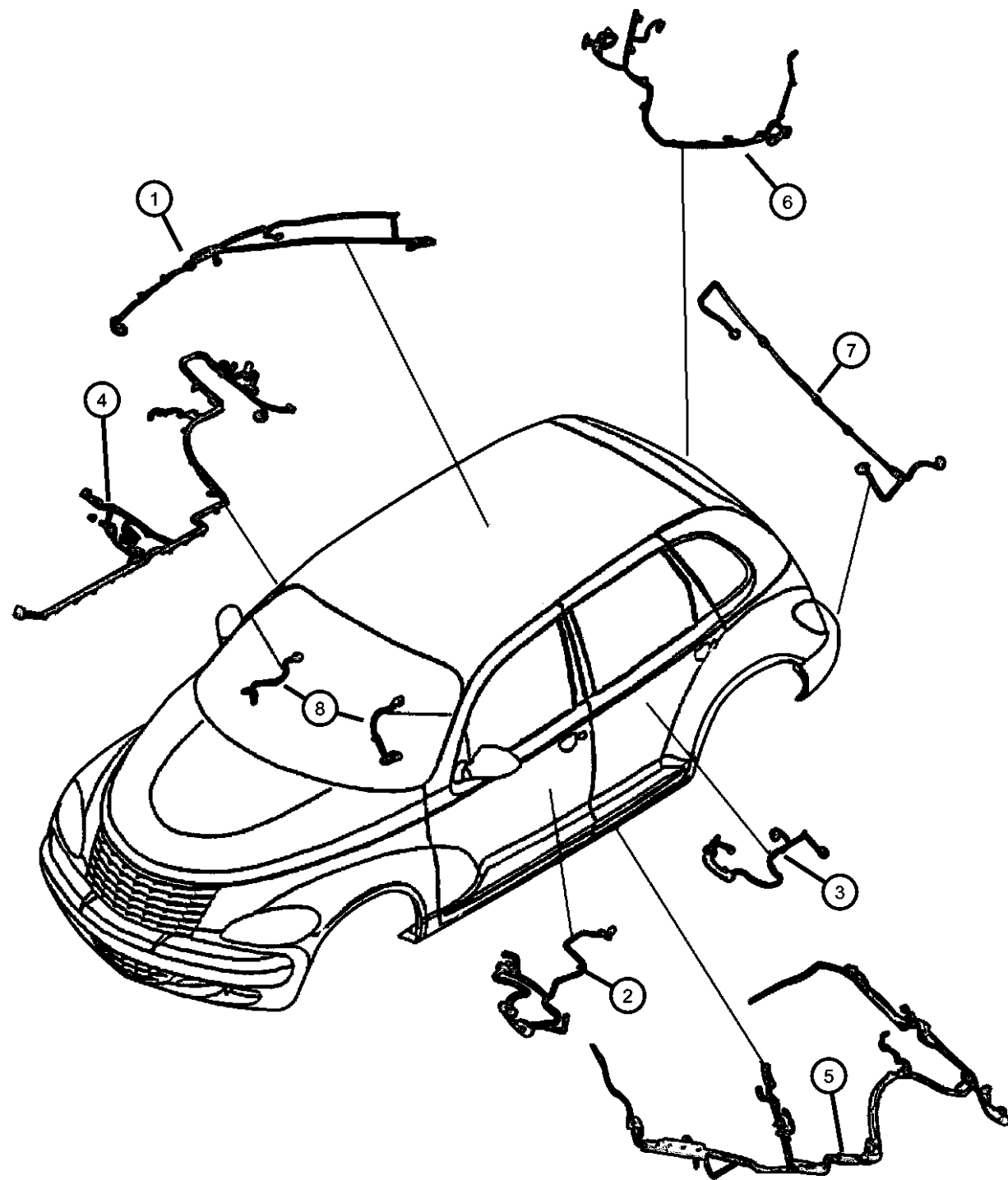
PT CRUISER (PT)

| | | | | |
|--------------|---|----------------|--|--|
| SERIES | LINE | BODY | ENGINE | TRANSMISSION |
| H = HIGHLINE | Z = CHRYSLER (RHD) C = CHRYSLER, LHD | 44 = Four Door | ECC = ENGINE - 2.0L 4 CYL DOHC 16V SMPI EDZ = ENGINE - 2.4L 4 CYL DOHC 16V SMPI | DGL = TRANSMISSION - 4-SPD. AUTOMATIC, 41TE DD5 = TRANSMISSION - 5-SPEED MANUAL DDO = All Manual Transmissions DGO = All Automatics |

AR = use ase required - = Non illustrated part

2001 PT

Wiring Body and Accessory
Figure 8-1505



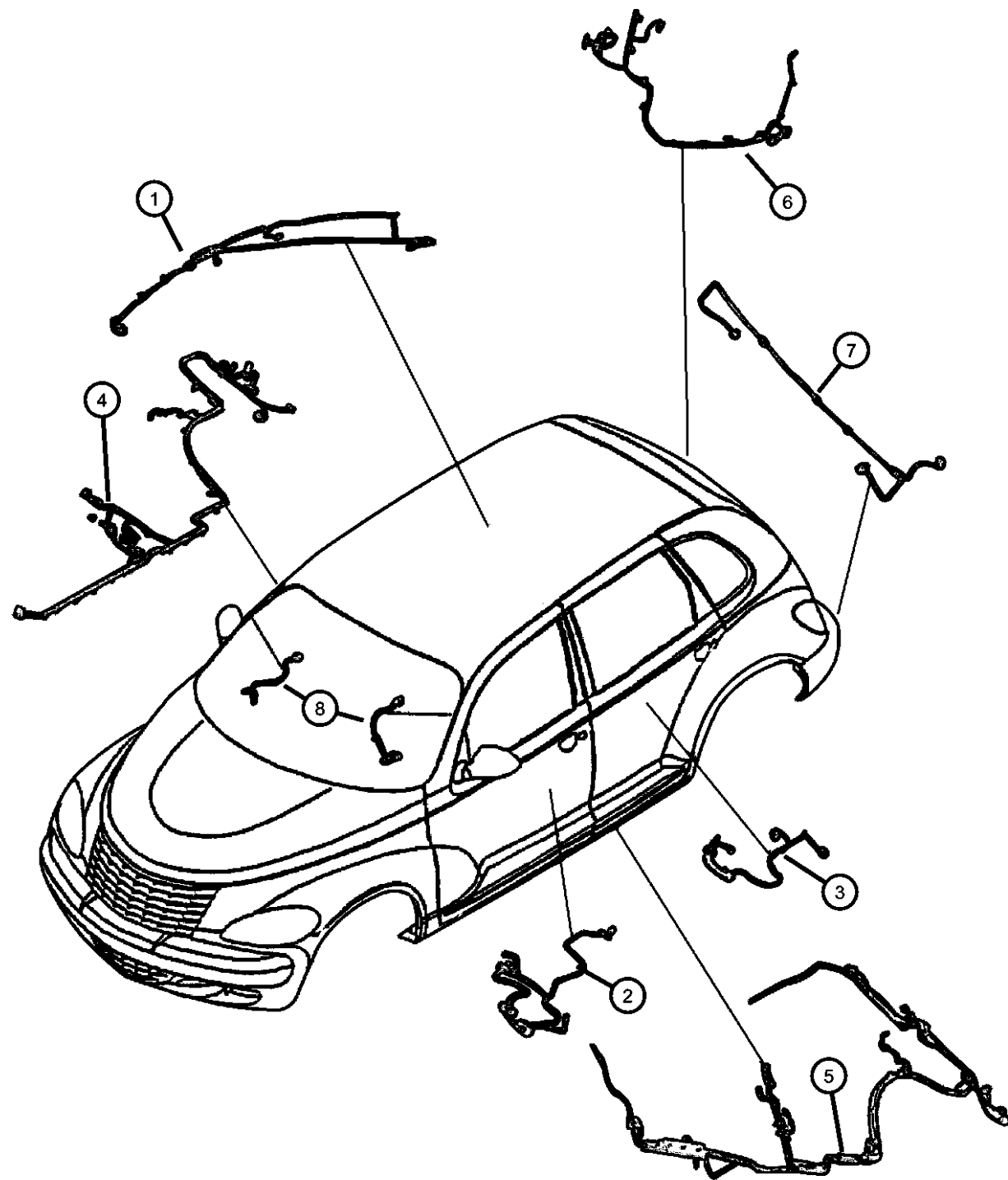
| ITEM | PART NUMBER | QTY | LINE | SERIES | BODY | ENGINE | TRANS | TRIM | DESCRIPTION |
|------|-------------|-----|------|--------|------|--------|-------|------|---|
| | 04795004AA | 1 | C | | | | | | with Power Windows without Side Impact Air Bags, after 07/24/00 |
| | 04795006AA | 1 | C | | | | | | with Power Locks with Side Impact Air Bags after 07/24/00 |
| | | 1 | Z | | | | | | with Power Locks with Side Impact Air Bags after 07/24/00 |
| 5 | | | | | | | | | WIRING, Body Left |
| | 04671499AC | 1 | C | | | | | | [JPY], Up to 07/24/00 |
| | 04671499AE | 1 | C | | | | | | [CGS,JPF] |
| | 04794761AA | 1 | | | | | | | [JPF,LPG,LCS], Export |
| | 04794763AA | 1 | C | | | | | | [CJ1] |
| | 04795003AA | 1 | C | | | | | | [JPY], After 07/24/00 |
| | 04795007AB | 1 | Z | | | | | | [CJ1] |
| 6 | | | | | | | | | WIRING, Liftgate |
| | 04671518AD | 1 | | | | | | | without Power Locks |
| | 04671519AD | 1 | | | | | | | with Power Locks |
| 7 | | | | | | | | | WIRING, Rear Fascia |
| | 04671528AB | 1 | C | | | | | | |
| | 04671529AB | 1 | C | | | | | | Export |
| | 04671679AB | 1 | Z | | | | | | |
| 8 | | | | | | | | | WIRING, Jumper |
| | 04671680AA | 2 | C | | | | | | Headling Harness Jumper |
| | | 2 | Z | | | | | | Headling Harness Jumper |
| -9 | | | | | | | | | HARNESS |
| | 05018888AA | 1 | C | | | | | | Wiring Seat with Side Impact Air Bag, Hieght Adjuster upto 7/01/00, Right |
| | 05018889AA | 1 | C | | | | | | Wiring Seat with Side Impact Air Bags, Hieght Adjuster upto 7/01/00, Left |
| | 05019822AA | 1 | C | | | | | | Wiring Seat Export with Side Impact Air Bags, Hieght Adjuster upto 7/01/00, Right |
| | | 1 | Z | | | | | | Wiring Seat with Side Impact Air Bags, Hieght Adjuster upto 7/01/00, Right |
| | 05019823AA | 1 | C | | | | | | Wiring Seat Export with Side Impact Air Bags, Hieght Adjuster upto 7/01/00, Left |

PT CRUISER (PT)

| | | | | |
|--------------|---|----------------|--|---|
| SERIES | LINE | BODY | ENGINE | TRANSMISSION |
| H = HIGHLINE | Z = CHRYSLER (RHD) C = CHRYSLER, LHD | 44 = Four Door | ECC = ENGINE - 2.0L 4 CYL DOHC 16V SMPI EDZ = ENGINE - 2.4L 4 CYL DOHC 16V SMPI | DGL = TRANSMISSION - 4-SPD. AUTOMATIC,41TE DD5 = TRANSMISSION - 5-SPEED MANUAL DDO = All Manual Transmissions DGO = All Automatics |

AR = use ase required - = Non illustrated part

**Wiring Body and Accessory
Figure 8-1505**



| ITEM | PART NUMBER | QTY | LINE | SERIES | BODY | ENGINE | TRANS | TRIM | DESCRIPTION |
|------|-------------|-----|------|--------|------|--------|-------|------|--|
| | | 1 | Z | | | | | | Wiring Seat with Side Impact Air Bags, with hieght Adjuster upto 7/01/00, Left |
| | 05066032AA | 1 | C | | | | | | Wiring Seat with Side Air Bags without Power Hieght Adjuster |
| -10 | 05066174AA | 1 | C | | | | | | HARNES, HEIGHT ADJUSTER with Heated Seat |
| | 05066201AA | 1 | C | | | | | | |
| | 05066217AA | 1 | Z | | | | | | |
| | 05073503AA | 1 | Z | | | | | | (before May 2000) |
| -11 | | | | | | | | | HARNES, Air Bag Jumper, Fold Flat |
| | 05073500AA | 1 | C | | | | | | After 7/1/00 for the Side Airbags |
| | | 1 | Z | | | | | | After 7/1/00 for the Side Airbags |
| -12 | | | | | | | | | HARNES, Air Bag Jumper, Power Lift |
| | 05073501AA | 1 | Z | | | | | | After 7/1/00 for the Side Airbags |
| | | 1 | C | | | | | | After 7/1/00 for the Side Airbags |
| -13 | 05073502AA | 1 | C | | | | | | HARNES, Air Bag Jumper, 2 Way, After 7/1/00 for the Side Airbags |
| -14 | | | | | | | | | HARNES, Air Bag Jumper, Side Air BAG |
| | 05066032AB | 1 | C | | | | | | Up to 7/1/00 |
| | | 1 | Z | | | | | | Up to 7/1/00 |
| -15 | | | | | | | | | WIRING, Fuel Tank Jumper |
| | 04671693AA | 1 | | | | | | | |
| | 04671694AA | 1 | | | | | | | With Leak Detection Pump |

PT CRUISER (PT)

| | | | | |
|--------------|---|----------------|--|--|
| SERIES | LINE | BODY | ENGINE | TRANSMISSION |
| H = HIGHLINE | Z = CHRYSLER (RHD) C = CHRYSLER, LHD | 44 = Four Door | ECC = ENGINE - 2.0L 4 CYL DOHC 16V SMPI EDZ = ENGINE - 2.4L 4 CYL DOHC 16V SMPI | DGL = TRANSMISSION - 4-SPD. AUTOMATIC, 41TE DD5 = TRANSMISSION - 5-SPEED MANUAL DDO = All Manual Transmissions DGO = All Automatics |

AR = use ase required - = Non illustrated part

**Wiring Repair
Figure 8-1605**

| ITEM | PART NUMBER | QTY | LINE | SERIES | BODY | ENGINE | TRANS | TRIM | DESCRIPTION |
|------|-------------|-----|------|--------|------|----------|-------|------|---|
| | | | | | | | | | ECC = 2.0 DOHC EDZ = 2.4 DOHC |
| -1 | 05013930AB | 1 | | | | | | | WIRING PACKAGE, Underhood Connector Repair, For Electrical Connector Repair Information visit the World Wide Web at http://dto.vftis.com/mopar/disclaimer.asp |
| -2 | | | | | | | | | STRAP, Ground |
| | 04671698AC | 1 | | | | EDZ | | | Engine to Body |
| | | 1 | | | | ECC | | | Engine to Body |
| -3 | 04671169 | 1 | | | | | | | STRAP, Ground, Exhaust to Body |
| -4 | 04794264AC | 1 | | | | | | | STRAP, Ground, Strut Bracket to Body Right |
| -5 | | | | | | | | | STRAP, Ground |
| | 04671842AA | 1 | | | | | | | Hood hinge to body |
| | 04794265AC | 1 | | | | | | | Strut Bracket to Body Left |
| -6 | 04671701AD | 1 | | | | EDZ | | | SHIELD, Wiring |
| -7 | 04794457AB | 1 | | | | ECC | | | SHIELD, Wiring |
| -8 | | | | | | | | | CLIP, Eng. |
| | 04602128 | 2 | | | | EDZ | | | Engine/Trans Wiring |
| | | 2 | | | | ECC | | | Engine/Trans Wiring |
| -9 | | | | | | | | | GROMMET |
| | 04759514AB | 3 | C | | | | | | |
| | | 1 | Z | | | | | | |
| -10 | 04641780 | 1 | C | | | | | | STRAP, Tie |
| -11 | 04608404 | 1 | | | | ECC, EDZ | | | CLIP, Transaxle, Trans Wiring |
| -12 | 04793468 | AR | | | | | | | CLIP |
| -13 | 06016020 | 1 | | | | ECC | | | STRAP, Tie |
| -14 | 06016234 | 1 | | | | ECC, EDZ | | | CLIP |
| -15 | 06016236 | 3 | | | | | | | CLIP |
| -16 | 06031967 | 1 | | | | ECC, EDZ | | | CLIP |
| -17 | 56018581 | 1 | C | | | ECC, EDZ | | | STRAP, Tie |
| -18 | 04274258 | 1 | C | | | | | | TAPE, Radio Connector, Foam |
| -19 | 05069034AA | 1 | | | | | | | WIRING, Radio Jumper, Radio Wiring Repair |

For Electrical Connector Repair Information visit the World Wide Web at

<http://dto.vftis.com/mopar/disclaimer.asp>

PT CRUISER (PT)

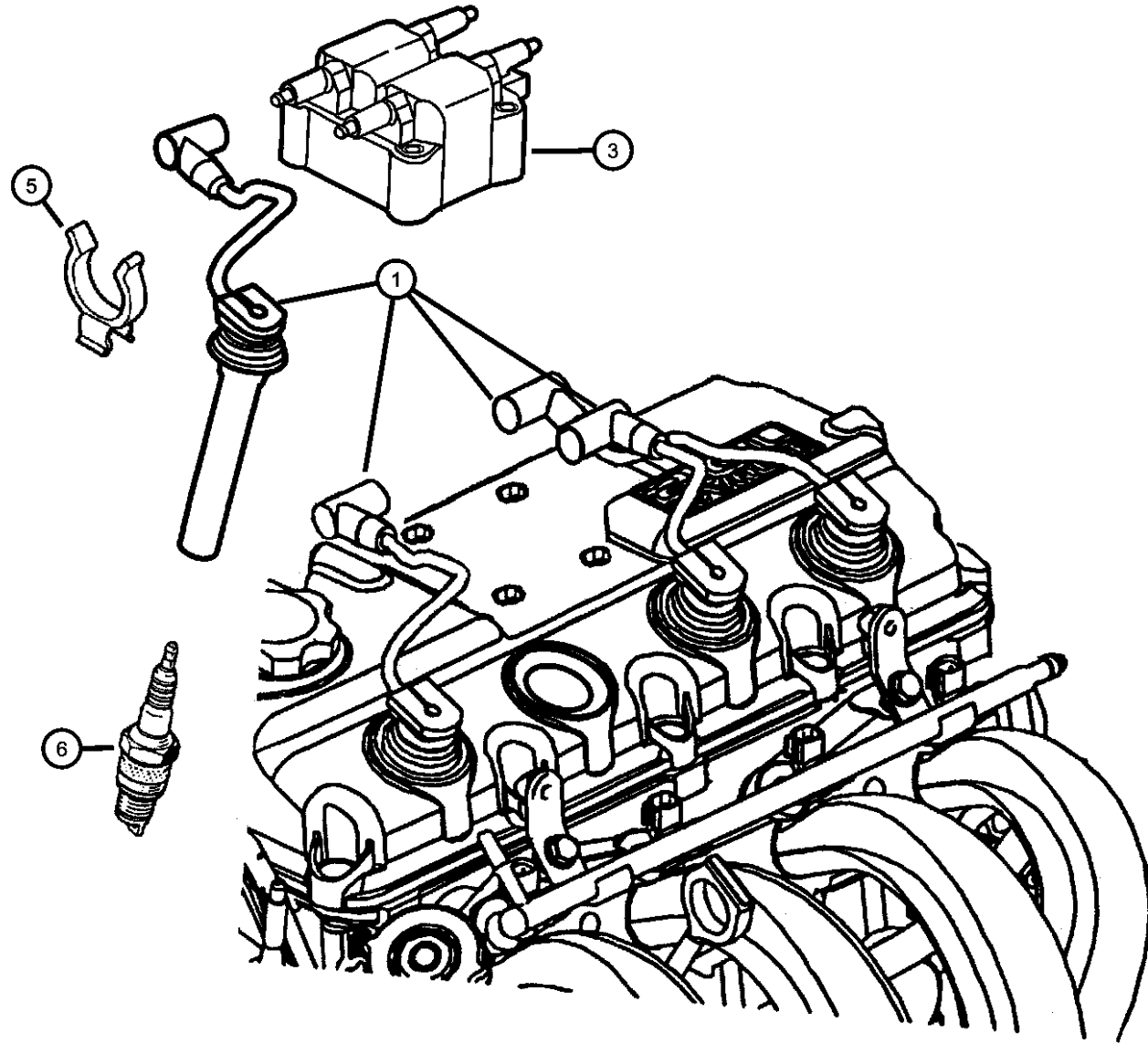
| | | | | |
|--------------|---|----------------|--|--|
| SERIES | LINE | BODY | ENGINE | TRANSMISSION |
| H = HIGHLINE | Z = CHRYSLER (RHD) C = CHRYSLER, LHD | 44 = Four Door | ECC = ENGINE - 2.0L 4 CYL DOHC 16V SMPI EDZ = ENGINE - 2.4L 4 CYL DOHC 16V SMPI | DGL = TRANSMISSION - 4-SPD. AUTOMATIC, 41TE DD5 = TRANSMISSION - 5-SPEED MANUAL DDO = All Manual Transmissions DGO = All Automatics |

AR = use ase required - = Non illustrated part

2001 PT

Sparkplugs, Cables, Coils
Figure 8-1905

| ITEM | PART NUMBER | QTY | LINE | SERIES | BODY | ENGINE | TRANS | TRIM | DESCRIPTION |
|---------------------------|-------------|-----|------|--------|------|--------|-------|------|---------------------------|
| ECC = 2.0L DOHC 16V | | | | | | | | | |
| EDZ = 2.4L 4 CYL DOHC 16V | | | | | | | | | |
| 1 | 05033003AC | 4 | | | | EDZ | | | CABLE, Ignition |
| | | 4 | | | | ECC | | | |
| -2 | 05018394AA | 1 | | | | EDZ | | | CABLE KIT, IGNITION |
| | | 1 | | | | ECC | | | |
| 3 | 05269670 | 1 | | | | ECC | | | COIL, Ignition |
| | | 1 | | | | EDZ | | | |
| -4 | 06502921 | 4 | | | | EDZ | | | SCREW Coil mounting |
| | | 4 | | | | ECC | | | Coil mounting |
| 5 | 05269549 | 1 | | | | ECC | | | SEPERATOR, Ignition Cable |
| 6 | 04606402AB | 4 | | | | EDZ | | | SPARK PLUG, RE-14MC-C5 |
| | | 4 | | | | ECC | | | |



PT CRUISER (PT)

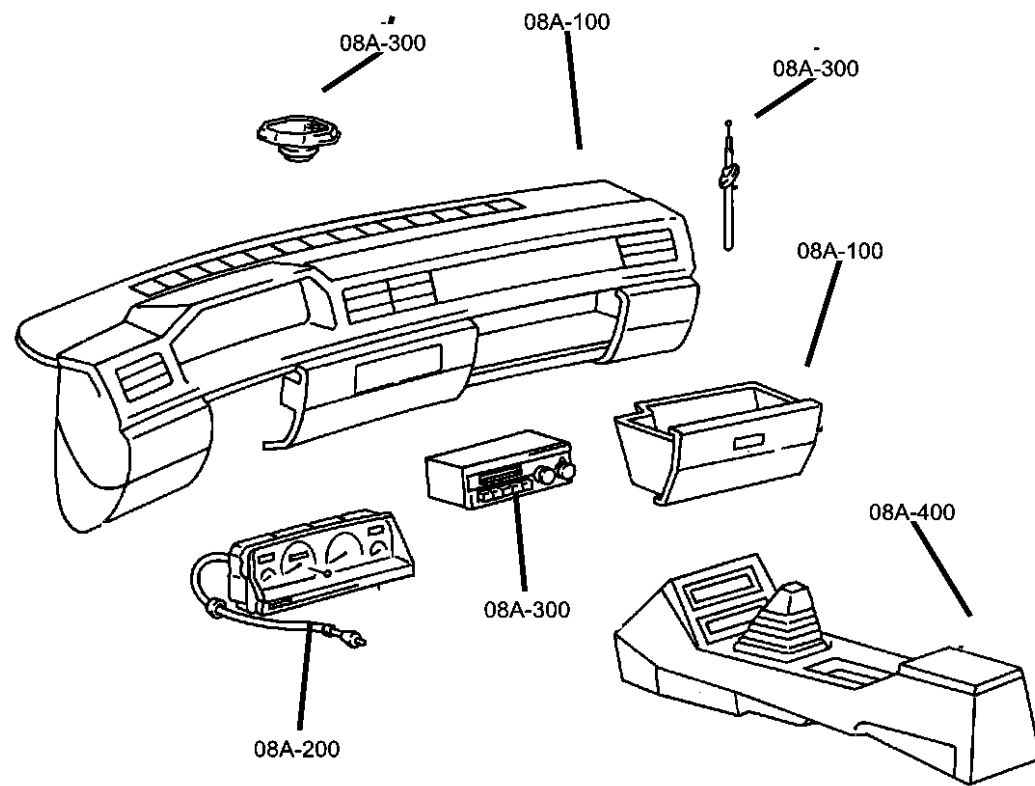
| | | | | |
|--------------|---|----------------|--|--|
| SERIES | LINE | BODY | ENGINE | TRANSMISSION |
| H = HIGHLINE | Z = CHRYSLER (RHD) C = CHRYSLER, LHD | 44 = Four Door | ECC = ENGINE - 2.0L 4 CYL DOHC 16V SMPI EDZ = ENGINE - 2.4L 4 CYL DOHC 16V SMPI | DGL = TRANSMISSION - 4-SPD. AUTOMATIC, 41TE DD5 = TRANSMISSION - 5-SPEED MANUAL DDO = All Manual Transmissions DGO = All Automatics |

AR = use ase required - = Non illustrated part

2001 PT

Group - 08A

Instrument Panel and Radios and Consoles



Group - 08A Instrument Panel and Radios and Consoles

Illustration Title

Group-Fig. No.

Instrument Panel

Instrument Panel Fig. 08A - 105

Instrument Panel Cluster

Cluster, Instrument Panel..... Fig. 08A - 205

Radio, Antenna, and Speakers

Radios..... Fig. 08A - 305

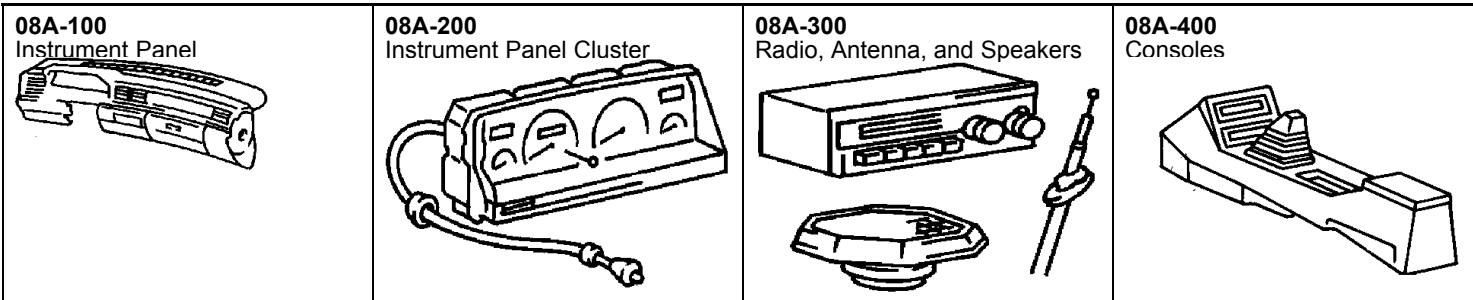
Antenna..... Fig. 08A - 310

Speakers..... Fig. 08A - 315

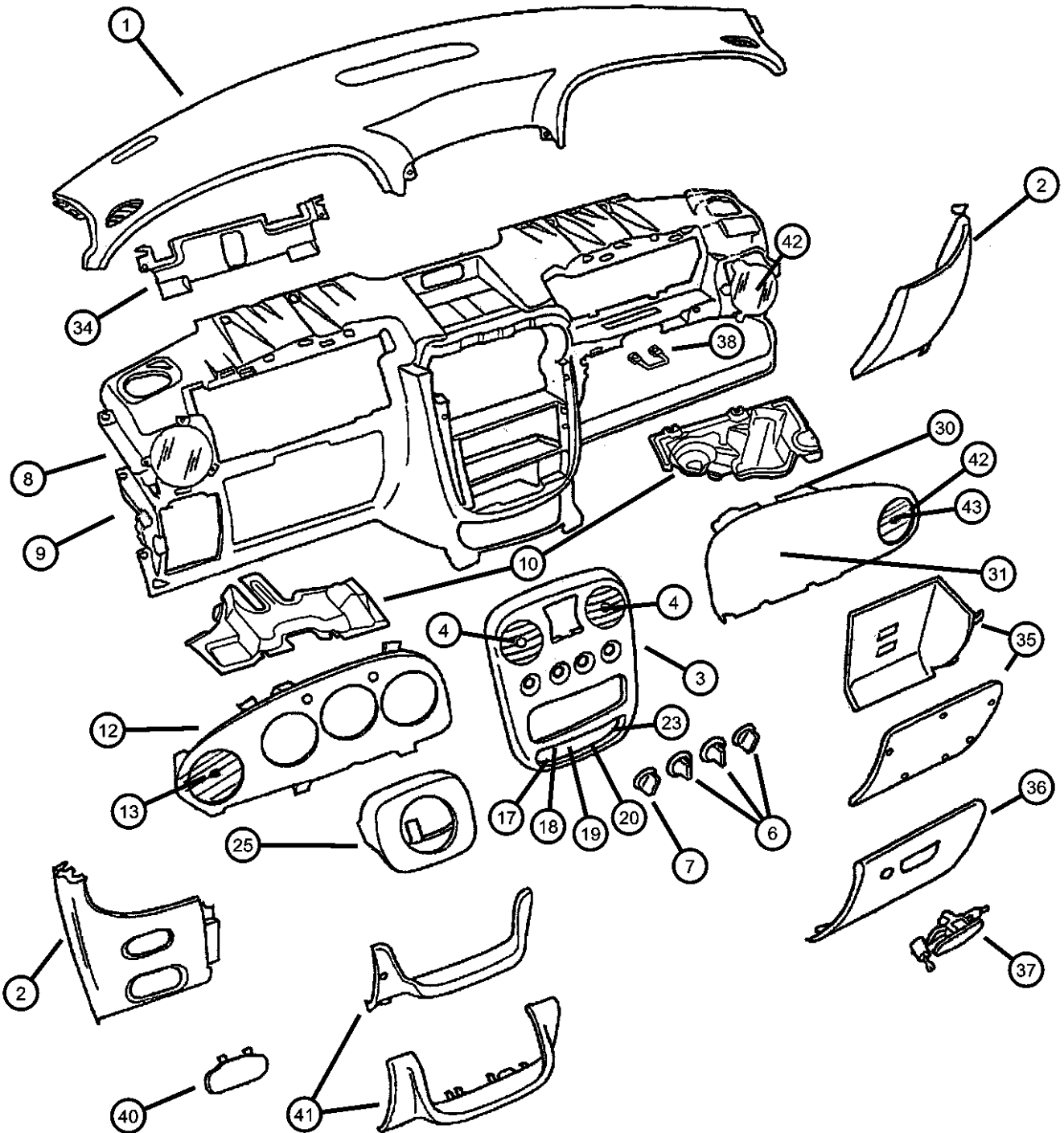
Consoles

Console, Floor..... Fig. 08A - 405

Console, Overhead Fig. 08A - 410



**Instrument Panel
Figure 08A-105**



| ITEM | PART NUMBER | QTY | LINE | SERIES | BODY | ENGINE | TRANS | TRIM | DESCRIPTION |
|------|-------------|-----|------|--------|------|--------|-------|------|--|
| 1 | 0RB71WL8AD | 1 | | | | | | | COVER, Instrument Panel, With Demister Grilles |
| 2 | | | | | | | | | CAP, Instrument Panel End |
| | 0RB46MF1AC | 1 | C | | | | | | Right |
| | 0RB55MF1AC | 1 | C | | | | | | Left, Without Power Mirrors |
| | 0RV23MF1AC | 1 | Z | | | | | | Left, Export |
| | 0RV24MF1AC | 1 | Z | | | | | | Right, Export |
| | 0RV37MF1AC | 1 | C | | | | | | Left, With Power Mirrors |
| 3 | | | | | | | | | BEZEL, Instrument Panel, Center |
| | 0SD18WL8AC | 1 | C | | | | | | Up to 2/25/00, With Air Conditioning |
| | 0SD26WL8AC | 1 | Z | | | | | | , With Air Conditioning |
| | 0SD27WL8AC | 1 | C | | | | | | Up to 2/25/00, Without Air Conditioning |
| | 0UD19WL8AA | 1 | C | | | | | | After 2/25/00, With Air Conditioning |
| | 0UD20WL8AA | 1 | C | | | | | | After 2/25/00, Without Air Conditioning |
| 4 | | | | | | | | | KNOB, A/C Control |
| | 0SQ73WL8AA | 2 | C | | | | | | Outlet Shutoff |
| | 0SQ76WL8AA | 2 | C | | | | | | Outlet Joystick |
| -5 | | | | | | | | | CLIP, M7.25x16.20 |
| | 06503519 | 6 | Z | | | | | | |
| | | 6 | C | | | | | | |
| 6 | | | | | | | | | KNOB, A/C Control |
| | 0SZ13DX9AA | 2 | | | | | | | (Black) System Control |
| | | 1 | Z | | | | | | (Black) |
| 7 | 0SZ14DX9AA | 1 | | | | | | | KNOB, Blower Switch, (Black) |
| 8 | | | | | | | | | PANEL, Instrument Panel |
| | 0UC271FLAA | 1 | C | | | | | | With Reinforcement Structure |
| | 0UC281FLAA | 1 | Z | | | | | | With Reinforcement Structure |
| 9 | | | | | | | | | PANEL, Instrument |
| | 0SC961FLAB | 1 | C | | | | | | Without Reinforcement Structure, Base |
| | 0SC971FLAB | 1 | Z | | | | | | Without Reinforcement Structure, Base |
| 10 | | | | | | | | | PANEL, Instrument Panel Closeout |

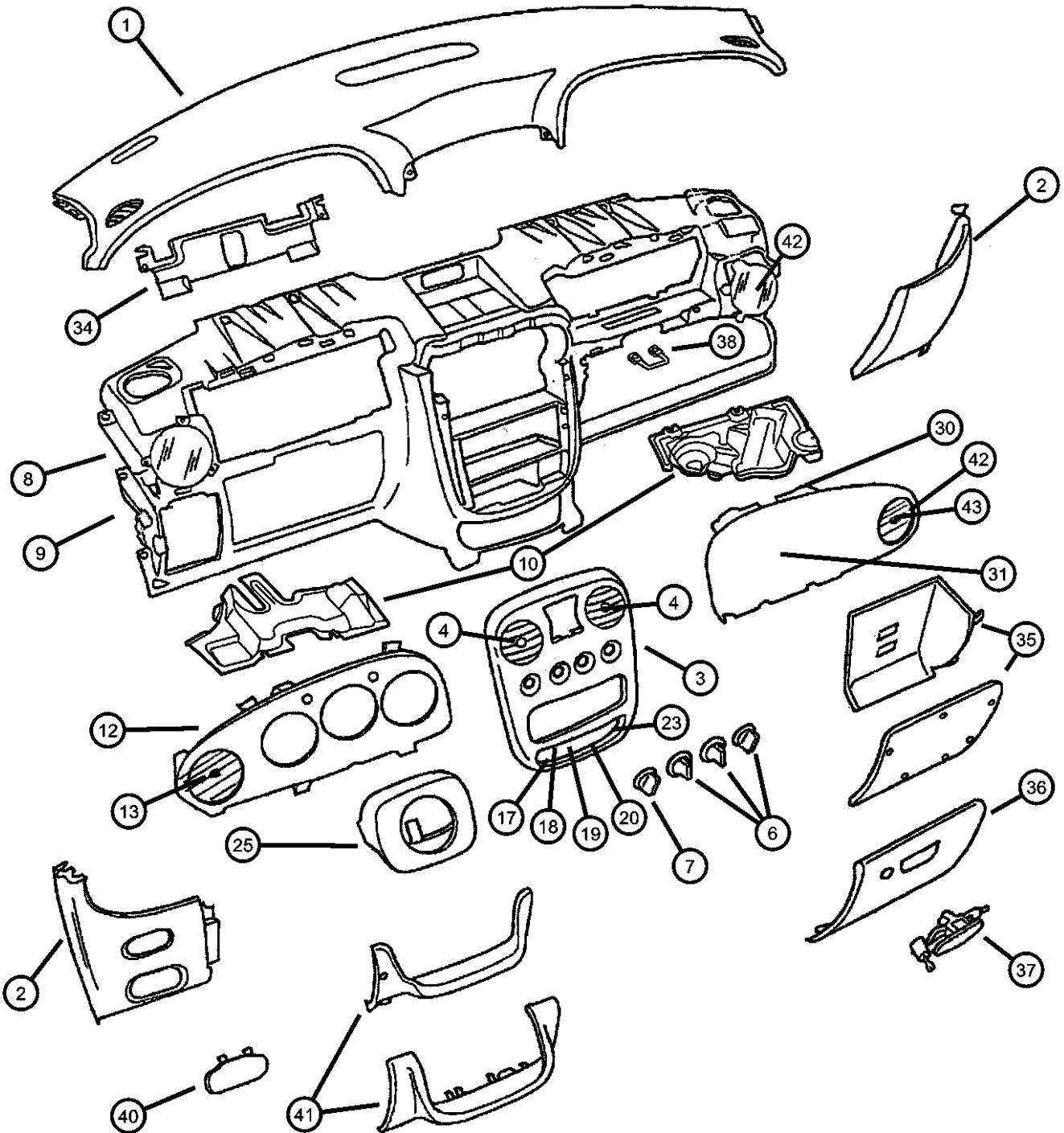
PT CRUISER (PT)

| | | | | |
|--------------|---|----------------|--|--|
| SERIES | LINE | BODY | ENGINE | TRANSMISSION |
| H = HIGHLINE | Z = CHRYSLER (RHD) C = CHRYSLER, LHD | 44 = Four Door | ECC = ENGINE - 2.0L 4 CYL DOHC 16V SMPI EDZ = ENGINE - 2.4L 4 CYL DOHC 16V SMPI | DGL = TRANSMISSION - 4-SPD. AUTOMATIC, 41TE DD5 = TRANSMISSION - 5-SPEED MANUAL DDO = All Manual Transmissions DGO = All Automatics |

AR = use ase required - = Non illustrated part

2001 PT

**Instrument Panel
Figure 08A-105**



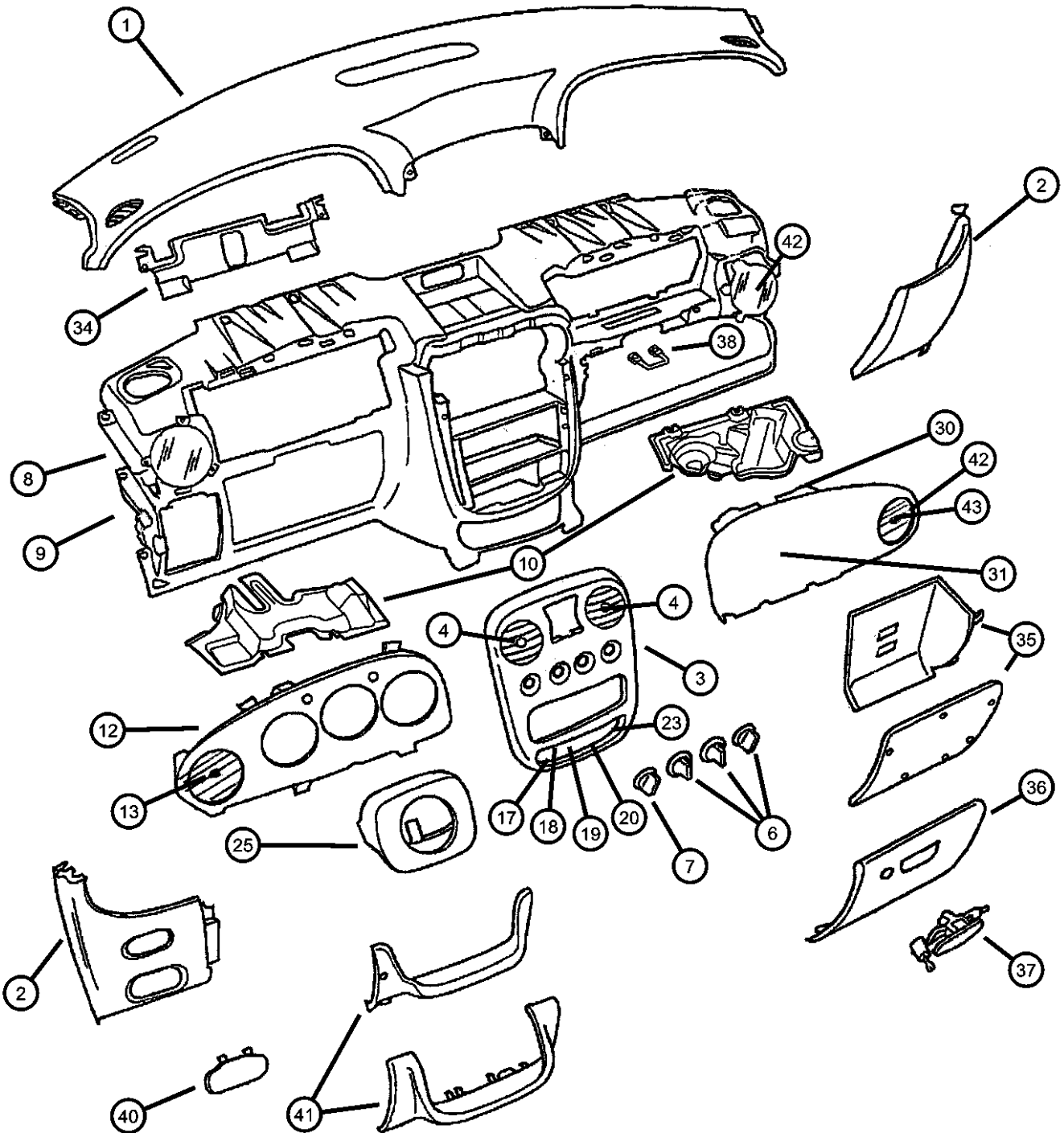
| ITEM | PART NUMBER | QTY | LINE | SERIES | BODY | ENGINE | TRANS | TRIM | DESCRIPTION |
|------|-------------|-----|------|--------|------|--------|-------|------|---|
| | 05291536AB | 1 | C | | | | | | Right Side |
| | 05291541AB | 1 | Z | | | | | | Left Side, Export |
| -11 | 06032723 | 2 | | | | | | | SCREW, Self Tapping, M4.2x1.69x19.05Accessory Switch & Bezel |
| 12 | | | | | | | | | BEZEL, Instrument Cluster, SEE NOTE: |
| | 0RN581B7AC | 1 | Z | | | | | | [PB7] |
| | 0RN581ELAC | 1 | Z | | | | | | [PEL] |
| | 0RN581FFAC | 1 | Z | | | | | | [PS2,PTK,PW1,PX8] |
| | 0RN581GRAC | 1 | Z | | | | | | [PGR] |
| | 0RN581MTAC | 1 | Z | | | | | | [PMT] |
| | 0RN581QWAC | 1 | Z | | | | | | [PQW] |
| | 0RN581Y6AC | 1 | Z | | | | | | [PY6] |
| | 0SD401B7AC | 1 | C | | | | | | [PB7] |
| | 0SD401ELAC | 1 | C | | | | | | [PEL] |
| | 0SD401FFAC | 1 | C | | | | | | [PS2,PTK,PW1,PX8] |
| | 0SD401GRAC | 1 | C | | | | | | [PGR] |
| | 0SD401MTAC | 1 | C | | | | | | [PMT] |
| | 0SD401QWAC | 1 | C | | | | | | [PQW] |
| | 0SD401Y6AC | 1 | C | | | | | | [PY6] |
| 13 | | | | | | | | | KNOB, A/C Control |
| | 0SQ73WL8AA | 1 | C | | | | | | Outlet Sutoff |
| | 0SQ76WL8AA | 1 | C | | | | | | Outlet Joystick |
| -14 | | | | | | | | | CLIP, Instrument Panel |
| | 06505665AA | 5 | C | | | | | | Cluster Bezel attaching |
| | | 5 | Z | | | | | | Cluster Bezel attaching |
| -15 | 04608669AA | 1 | | | | | | | LAMP, Ash Receiver |
| -16 | | | | | | | | | BULB, 37 |
| | L0000037 | 1 | C | | | | | | |
| | | 1 | Z | | | | | | |
| 17 | | | | | | | | | BEZEL, Accessory Switch |
| | 04671669AA | 1 | | | | | | | with EBL, Rear Wiper, Traction Control, Headlaml Leveling, Export |

PT CRUISER (PT)

| | | | | |
|--------------|---|----------------|--|---|
| SERIES | LINE | BODY | ENGINE | TRANSMISSION |
| H = HIGHLINE | Z = CHRYSLER (RHD) C = CHRYSLER, LHD | 44 = Four Door | ECC = ENGINE - 2.0L 4 CYL DOHC 16V SMPI EDZ = ENGINE - 2.4L 4 CYL DOHC 16V SMPI | DGL = TRANSMISSION - 4-SPD. AUTOMATIC,41TE DD5 = TRANSMISSION - 5-SPEED MANUAL DDO = All Manual Transmissions DGO = All Automatics |

AR = use ase required - = Non illustrated part

**Instrument Panel
Figure 08A-105**



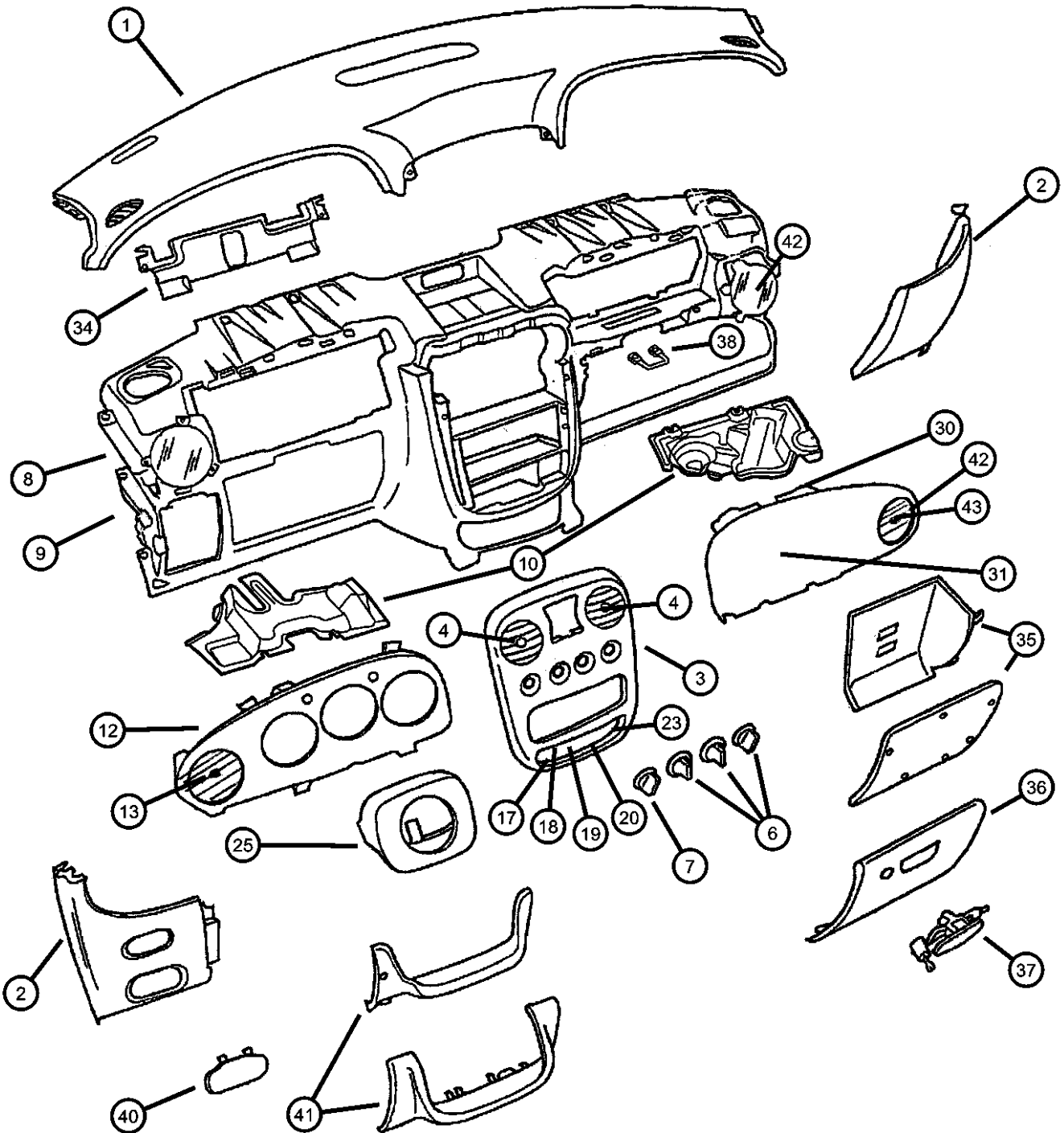
| ITEM | PART NUMBER | QTY | LINE | SERIES | BODY | ENGINE | TRANS | TRIM | DESCRIPTION |
|------|-------------|-----|------|--------|------|--------|-------|------|--|
| | 04671828AA | 1 | C | | | | | | with EBL, Rear Wiper, Traction Control, |
| | 05015788AB | 1 | C | | | | | | with EBL, Rear Wiper |
| | 05015790AB | 1 | | | | | | | with EBL, Rear Wiper, Headlamp Leveling, Export |
| 18 | 04671672AA | 1 | C | | | | | | SWITCH, Traction Control |
| 19 | 04671670AA | 1 | C | | | | | | SWITCH, Electric Back Light |
| 20 | 04671671AC | 1 | | | | | | | SWITCH, Wiper and WasherRear Wiper |
| -21 | 04793554 | 1 | C | | | | | | POWER OUTLET, Cigar Lighter |
| -22 | 04671673AA | 1 | | | | | | | SWITCH, Headlamp LevelingExport |
| 23 | 04671674AA | 1 | | | | | | | PLUG, Power Outlet |
| -24 | 04565022 | 1 | | | | | | | SWITCH AND LAMP, Glove Box |
| 25 | | | | | | | | | COVER, Steering Column |
| | 04664219AA | 1 | C | | | | | | |
| | 04664220AA | 1 | Z | | | | | | |
| -26 | 06504301 | 2 | | | | | | | CLIP, Moulding, Steering Column Cover to Inst. Panel |
| -27 | 04595823AA | 1 | | | | | | | SMOKERS KIT, Ash Receiver With Lighter |
| -28 | 04595665 | 1 | | | | | | | ASH RECEIVER, Instrument Panel |
| -29 | | | | | | | | | LABEL, Air Bag Warning |
| | 04664279AA | 2 | | | | | | | Export |
| | 04664280AA | 2 | | | | | | | |
| 30 | 04664252AD | 1 | | | | | | | AIR BAG, Passenger |
| 31 | | | | | | | | | COVER, Air Bag Module, See NOTE: |
| | 0RN531B7AC | 1 | C | | | | | | [PB7] |
| | 0RN531ELAC | 1 | C | | | | | | [PEL] |
| | 0RN531FFAC | 1 | C | | | | | | [PS2,PTK,PW1,PX8] |
| | 0RN531GRAC | 1 | C | | | | | | [PGR] |
| | 0RN531MTAC | 1 | C | | | | | | [PMT] |
| | 0RN531QWAC | 1 | C | | | | | | [PQW] |
| | 0RN531Y6AC | 1 | C | | | | | | [PY6] |
| | 0RN561B7AC | 1 | Z | | | | | | [PB7], Export |
| | 0RN561ELAC | 1 | Z | | | | | | [PEL], Export |

PT CRUISER (PT)

| | | | | |
|--------------|---|----------------|--|--|
| SERIES | LINE | BODY | ENGINE | TRANSMISSION |
| H = HIGHLINE | Z = CHRYSLER (RHD) C = CHRYSLER, LHD | 44 = Four Door | ECC = ENGINE - 2.0L 4 CYL DOHC 16V SMPI EDZ = ENGINE - 2.4L 4 CYL DOHC 16V SMPI | DGL = TRANSMISSION - 4-SPD. AUTOMATIC, 41TE DD5 = TRANSMISSION - 5-SPEED MANUAL DDO = All Manual Transmissions DGO = All Automatics |

AR = use ase required - = Non illustrated part

**Instrument Panel
Figure 08A-105**



| ITEM | PART NUMBER | QTY | LINE | SERIES | BODY | ENGINE | TRANS | TRIM | DESCRIPTION |
|------|-------------|-----|------|--------|------|--------|-------|------|---|
| | 0RN561FFAC | 1 | Z | | | | | | [PS2,PTK,PW1,PX8], Export |
| | 0RN561GRAC | 1 | Z | | | | | | [PGR], Export |
| | 0RN561MTAC | 1 | Z | | | | | | [PMT], Export |
| | 0RN561QWAC | 1 | Z | | | | | | [PQW], Export |
| | 0RN561Y6AC | 1 | Z | | | | | | [PY6], Export |
| -32 | | | | | | | | | BEZEL, Airbag Passenger Side |
| | 0UB56MF1AB | 1 | Z | | | | | | |
| | 0UB58MF1AB | 1 | C | | | | | | |
| -33 | 06101446 | 2 | | | | | | | NUT AND WASHER, Wiring Attaching |
| 34 | 05291410AA | 1 | | | | | | | PANEL, Cluster Support |
| 35 | | | | | | | | | GLOVE BOX, Instrument Panel |
| | 0RB331FLAA | 1 | C | | | | | | |
| | | 1 | Z | | | | | | |
| 36 | | | | | | | | | DOOR, Glove Box |
| | 0SD01MF1AA | 1 | C | | | | | | |
| | | 1 | Z | | | | | | |
| 37 | | | | | | | | | LATCH, Glovebox |
| | 0SD03MF1AA | 1 | C | | | | | | |
| | | 1 | Z | | | | | | |
| 38 | | | | | | | | | STRIKER, Glove Box Door Latch |
| | 05291438AA | 1 | C | | | | | | |
| | | 1 | Z | | | | | | |
| -39 | | | | | | | | | BUMPER, Glove Box Door |
| | 05291548AA | 2 | C | | | | | | Open Stop |
| | | 2 | Z | | | | | | Open Stop |
| | 05291549AA | 2 | C | | | | | | Close Stop |
| | | 2 | Z | | | | | | Close Stop |
| 40 | 0RN55MF1AB | 1 | | | | | | | COVER, Fuse Access |
| 41 | 0UD23MF1AA | 1 | | | | | | | COVER, Steering Column |
| 42 | 0SD00WL8AB | 1 | C | | | | | | HOUSING, Air Conditioning Outlet, w/Louvers |
| 43 | | | | | | | | | KNOB, A/C Control |
| | 0SQ73WL8AA | 1 | Z | | | | | | Outlet Shutoff |

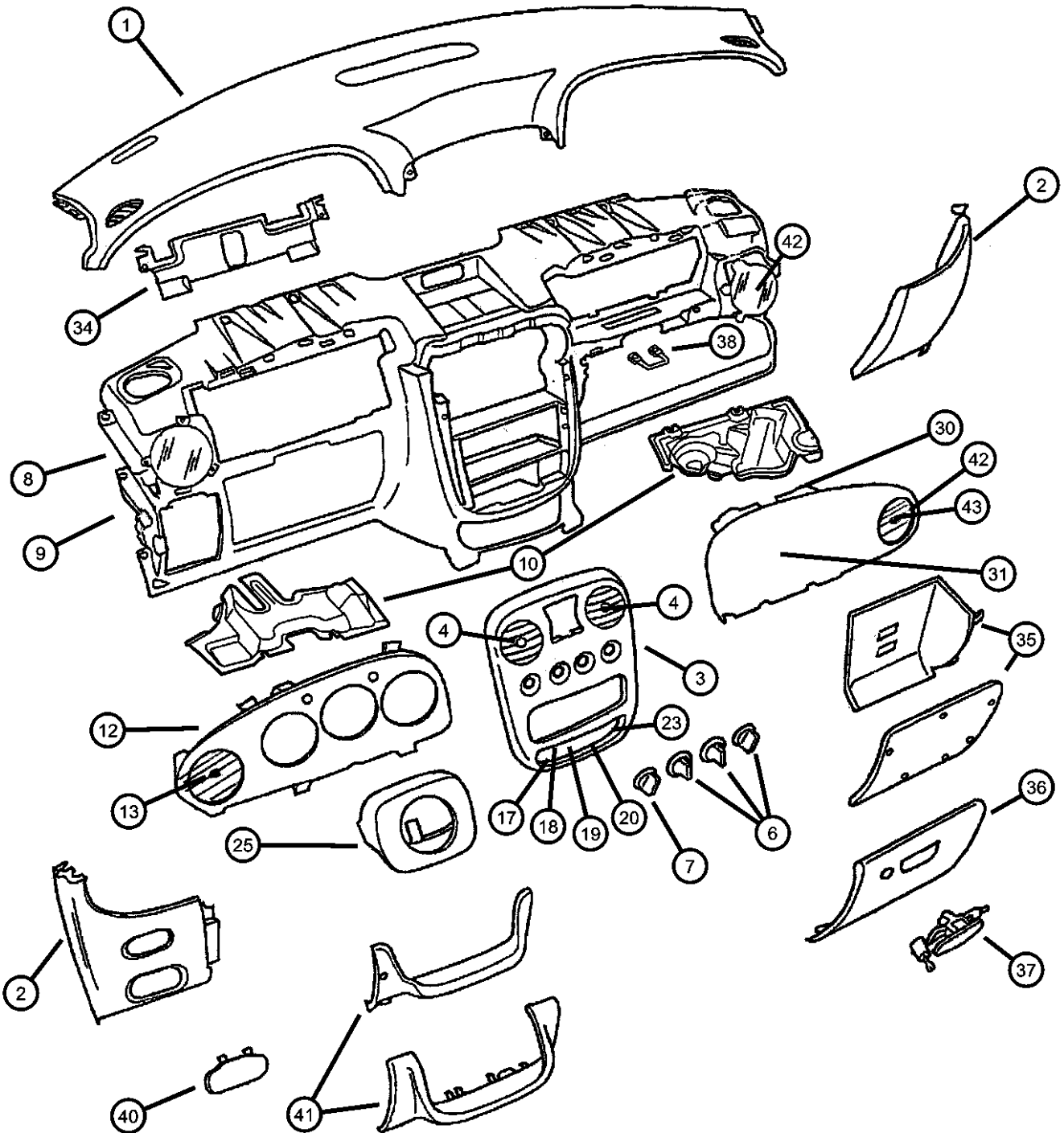
PT CRUISER (PT)

| | | | | |
|--------------|---|----------------|--|--|
| SERIES | LINE | BODY | ENGINE | TRANSMISSION |
| H = HIGHLINE | Z = CHRYSLER (RHD) C = CHRYSLER, LHD | 44 = Four Door | ECC = ENGINE - 2.0L 4 CYL DOHC 16V SMPI EDZ = ENGINE - 2.4L 4 CYL DOHC 16V SMPI | DGL = TRANSMISSION - 4-SPD. AUTOMATIC, 41TE DD5 = TRANSMISSION - 5-SPEED MANUAL DDO = All Manual Transmissions DGO = All Automatics |

AR = use ase required - = Non illustrated part

Instrument Panel
Figure 08A-105

| ITEM | PART NUMBER | QTY | LINE | SERIES | BODY | ENGINE | TRANS | TRIM | DESCRIPTION |
|------|-------------|-----|------|--------|------|--------|-------|------|-------------|
|------|-------------|-----|------|--------|------|--------|-------|------|-------------|



| | | | | | | | | | |
|--|------------|---|---|--|--|--|--|--|----------------|
| | | 1 | C | | | | | | Outlet Shutoff |
| | 0SQ76WL8AA | 2 | C | | | | | | Joy Stick |
| | | 2 | Z | | | | | | Joy Stick |

PT CRUISER (PT)

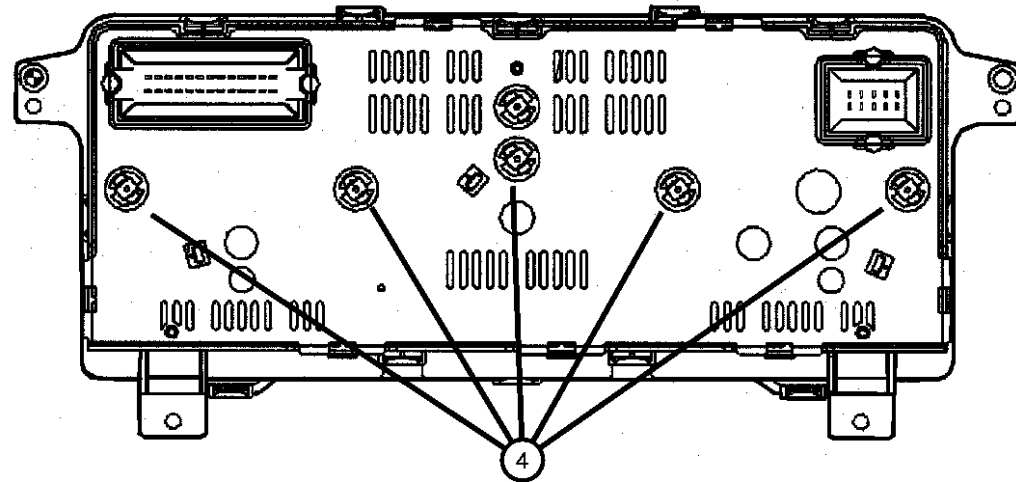
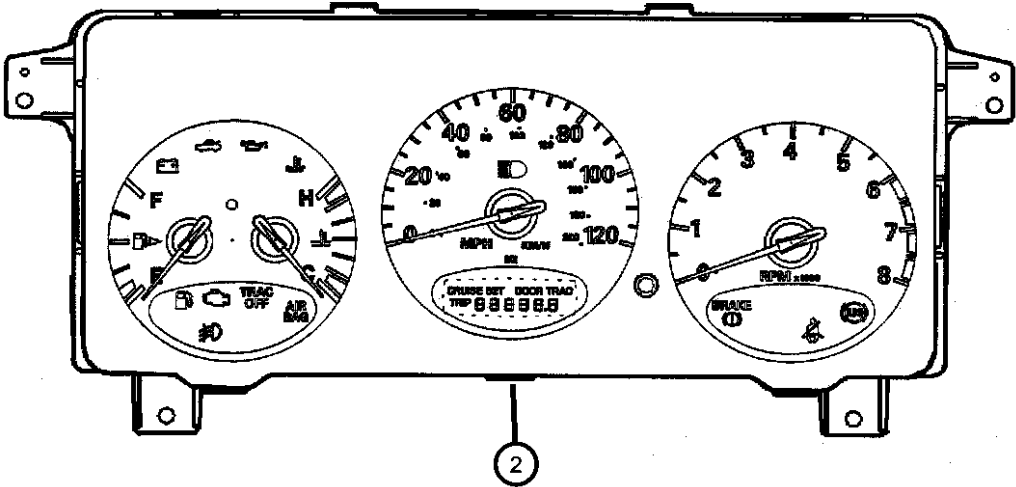
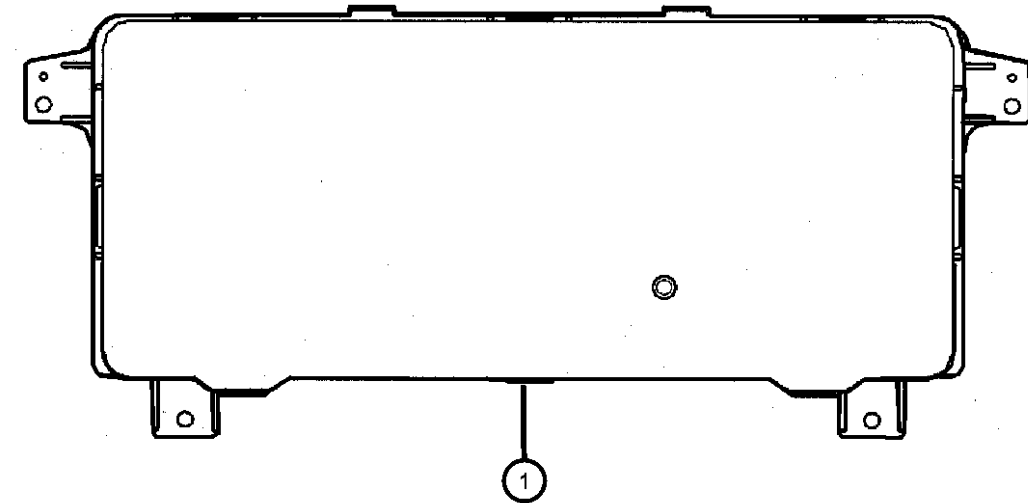
| SERIES | LINE | BODY | ENGINE | TRANSMISSION |
|--------------|---|----------------|--|--|
| H = HIGHLINE | Z = CHRYSLER (RHD) C = CHRYSLER, LHD | 44 = Four Door | ECC = ENGINE - 2.0L 4 CYL DOHC 16V SMPI EDZ = ENGINE - 2.4L 4 CYL DOHC 16V SMPI | DGL = TRANSMISSION - 4-SPD. AUTOMATIC, 41TE DD5 = TRANSMISSION - 5-SPEED MANUAL DDO = All Manual Transmissions DGO = All Automatics |

AR = use ase required - = Non illustrated part

2001 PT

Cluster, Instrument Panel
Figure 08A-205

| ITEM | PART NUMBER | QTY | LINE | SERIES | BODY | ENGINE | TRANS | TRIM | DESCRIPTION |
|------|-------------|-----|------|--------|------|--------|-------|------|-------------|
|------|-------------|-----|------|--------|------|--------|-------|------|-------------|



Note:
Cluster Contains All Gauges and Circuit Board
JA2 = Instrument Cluster
JDJ = 240 KPH w/Tach
JDR = 240 KPH w/Tach

| | | | | | | | | | |
|----|------------|---|---|--|--|--|--|--|--------------------------------------|
| 1 | | | | | | | | | MASK AND LENS, Instrument Cluster |
| | 05017906AA | 1 | C | | | | | | |
| | | 1 | Z | | | | | | |
| 2 | | | | | | | | | CLUSTER |
| | 04671534AF | 1 | C | | | | | | 120 MPH W/Tach |
| | 04671535AF | 1 | C | | | | | | 240 KM W/Tach, JDJ |
| | 04671536AF | 1 | Z | | | | | | 140 MPH W/Tach |
| | 04671589AF | 1 | Z | | | | | | 240 KM W/Tach, JDR |
| | 04671630AF | 1 | C | | | | | | 240 KM W/Tach, Canada |
| -3 | 06032723 | 2 | | | | | | | SCREW, Self Tapping, M4.2x1.69x19.05 |
| 4 | | | | | | | | | BULB, PC74 |
| | L000PC74 | 6 | C | | | | | | Instrument Cluster |
| | | 6 | Z | | | | | | Instrument Cluster |

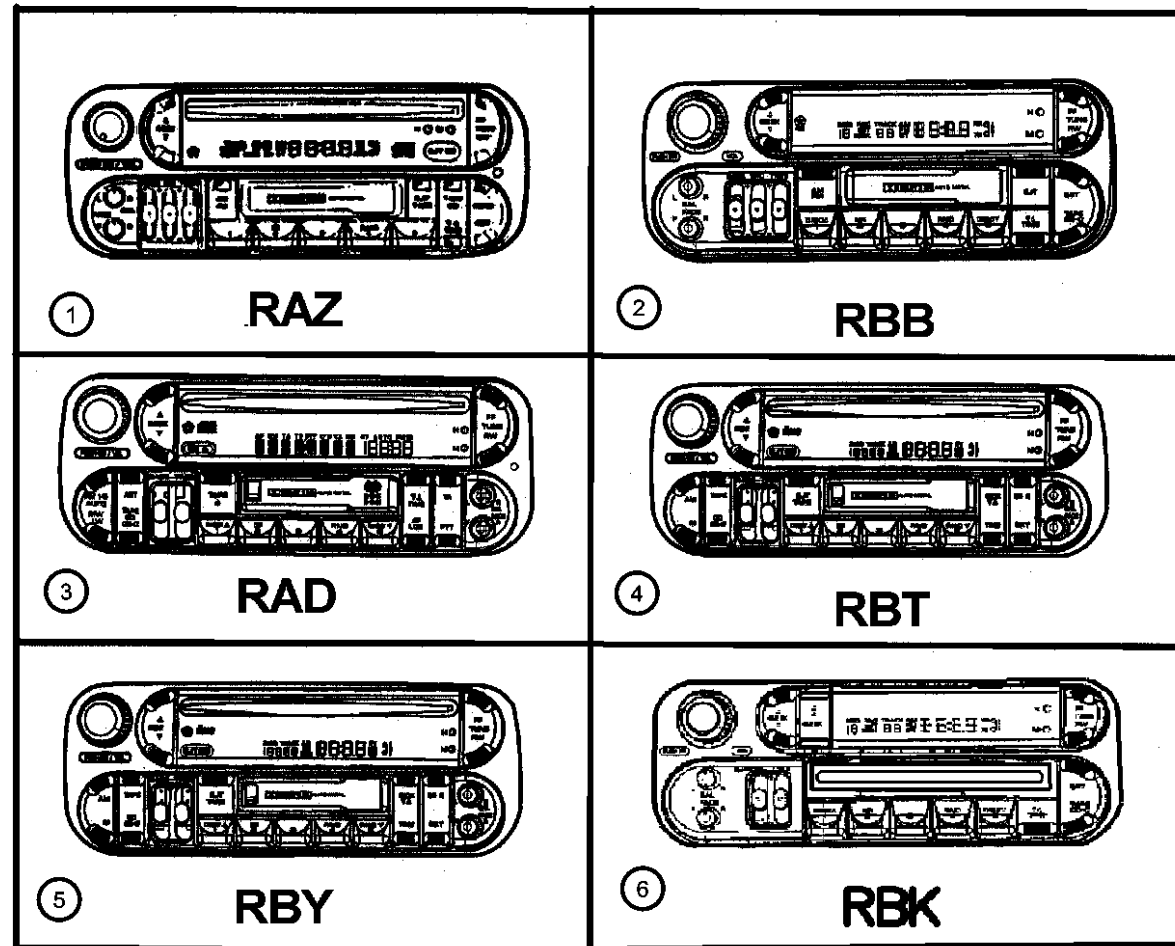
PT CRUISER (PT)

| SERIES | LINE | BODY | ENGINE | TRANSMISSION |
|--------------|---|----------------|--|--|
| H = HIGHLINE | Z = CHRYSLER (RHD) C = CHRYSLER, LHD | 44 = Four Door | ECC = ENGINE - 2.0L 4 CYL DOHC 16V SMPI EDZ = ENGINE - 2.4L 4 CYL DOHC 16V SMPI | DGL = TRANSMISSION - 4-SPD. AUTOMATIC, 41TE DD5 = TRANSMISSION - 5-SPEED MANUAL DDO = All Manual Transmissions DGO = All Automatics |

AR = use ase required - = Non illustrated part

2001 PT

Radios
Figure 08A-305



| ITEM | PART NUMBER | QTY | LINE | SERIES | BODY | ENGINE | TRANS | TRIM | DESCRIPTION |
|------|-------------|-----|------|--------|------|--------|-------|------|-------------|
|------|-------------|-----|------|--------|------|--------|-------|------|-------------|

Note:

RAZ=Radio - AM/FM Cassette/CD/Equalizer
RBB=Radio - AM/FM Cassette, Changer Controls
RAD=Radio - AM/FM Cassette/CD, RDS
RBK=Radio - AM/FM CD w/Chg
RBT=Radio - AM/FM Cassette/CD
RBY=Radio - AM/FM Cassette, CD

| | | | | | | | | | |
|----|------------|---|---|--|--|--|--|--|--|
| 1 | 04858540AG | 1 | | | | | | | RADIO, AM/FM with CD and Cassette, Sales Code (RAZ) |
| 2 | 56038518AE | 1 | C | | | | | | RADIO, AM/FM Cassette with CD Control, Sales Code (RBB) |
| 3 | 04858543AC | 1 | | | | | | | RADIO, AM/FM/Cassette With CD, Sales Code (RAD)-Export |
| 4 | 04858542AC | 1 | Z | | | | | | RADIO, AM/FM Cassette, Sales Code (RBT)-Export (Right Hand Drive) |
| 5 | 04858541AC | 1 | | | | | | | RADIO, AM/FM with CD and Cassette, Sales Code (RBY)-Export |
| 6 | 56038567AE | 1 | C | | | | | | RADIO, AM/FM with CD, [RBK] |
| -7 | 05069034AA | 1 | | | | | | | WIRING, Radio Jumper, Radio Wiring Repair |

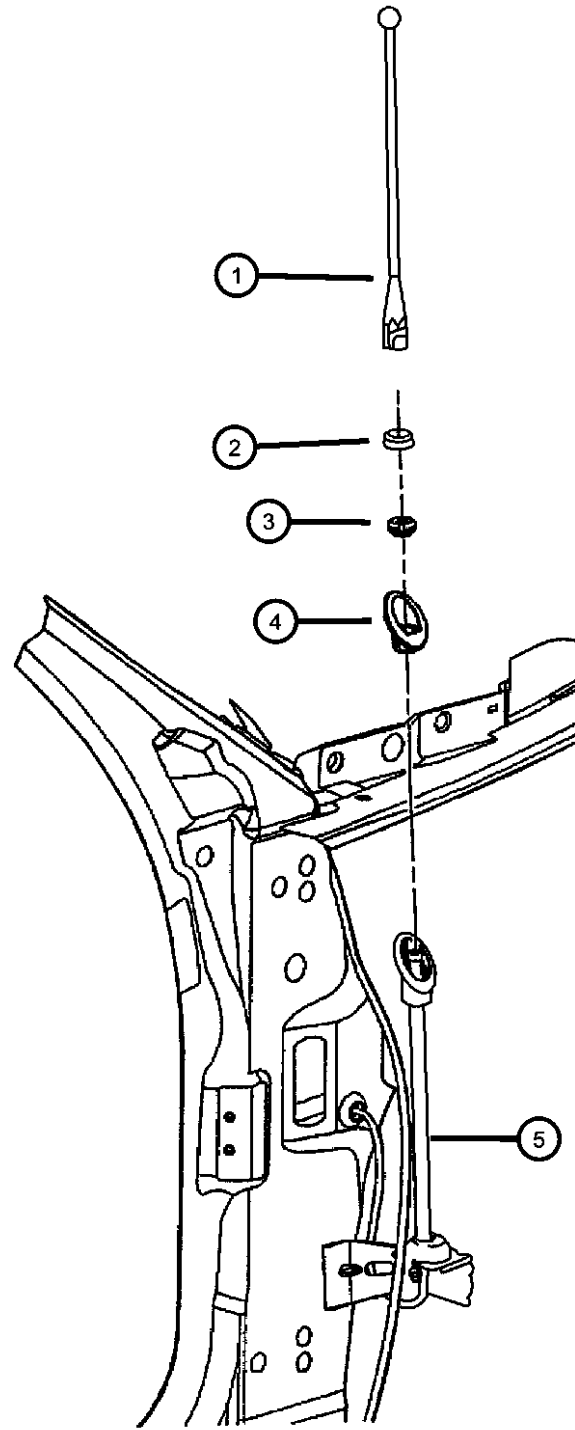
PT CRUISER (PT)

| SERIES | LINE | BODY | ENGINE | TRANSMISSION |
|--------------|---|----------------|--|--|
| H = HIGHLINE | Z = CHRYSLER (RHD) C = CHRYSLER, LHD | 44 = Four Door | ECC = ENGINE - 2.0L 4 CYL DOHC 16V SMPI EDZ = ENGINE - 2.4L 4 CYL DOHC 16V SMPI | DGL = TRANSMISSION - 4-SPD. AUTOMATIC, 41TE DD5 = TRANSMISSION - 5-SPEED MANUAL DDO = All Manual Transmissions DGO = All Automatics |

AR = use ase required - = Non illustrated part

2001 PT

**Antenna
Figure 08A-310**



| ITEM | PART NUMBER | QTY | LINE | SERIES | BODY | ENGINE | TRANS | TRIM | DESCRIPTION |
|------|-------------|-----|------|--------|------|--------|-------|------|--------------------------|
| 1 | 04671868AA | 1 | C | | | | | | MAST, Antenna |
| | 04793962AB | 1 | C | | | | | | after 7/24/00 |
| | | 1 | Z | | | | | | Export |
| | 04794176AA | 1 | C | | | | | | Right Hand Drive |
| | | | | | | | | | up to 7/24/00 |
| 2 | 04685498 | 1 | | | | | | | SHROUD, Antenna Cap Nut |
| 3 | 04793964AC | 1 | | | | | | | CAP NUT, Antenna |
| | 56007570AB | 1 | C | | | | | | |
| 4 | 04671602AB | 1 | C | | | | | | ADAPTER, Antenna |
| | 04671627AB | 1 | Z | | | | | | Right Hand Drive |
| 5 | 04671626AB | 1 | C | | | | | | BASE, Antenna |
| | 04671628AB | 1 | C | | | | | | Export |
| | 04671629AB | 1 | Z | | | | | | Right Hand Drive |
| -6 | 04671597AB | 1 | | | | | | | CABLE, Antenna Extension |

PT CRUISER (PT)

SERIES

H = HIGHLINE

LINE

Z = CHRYSLER (RHD)

C = CHRYSLER, LHD

BODY

44 = Four Door

ENGINE

ECC = ENGINE - 2.0L 4 CYL

DOHC 16V SMPI

EDZ = ENGINE - 2.4L 4 CYL

DOHC 16V SMPI

TRANSMISSION

DGL = TRANSMISSION - 4-SPD.

AUTOMATIC, 41TE

DD5 = TRANSMISSION - 5-SPEED

MANUAL

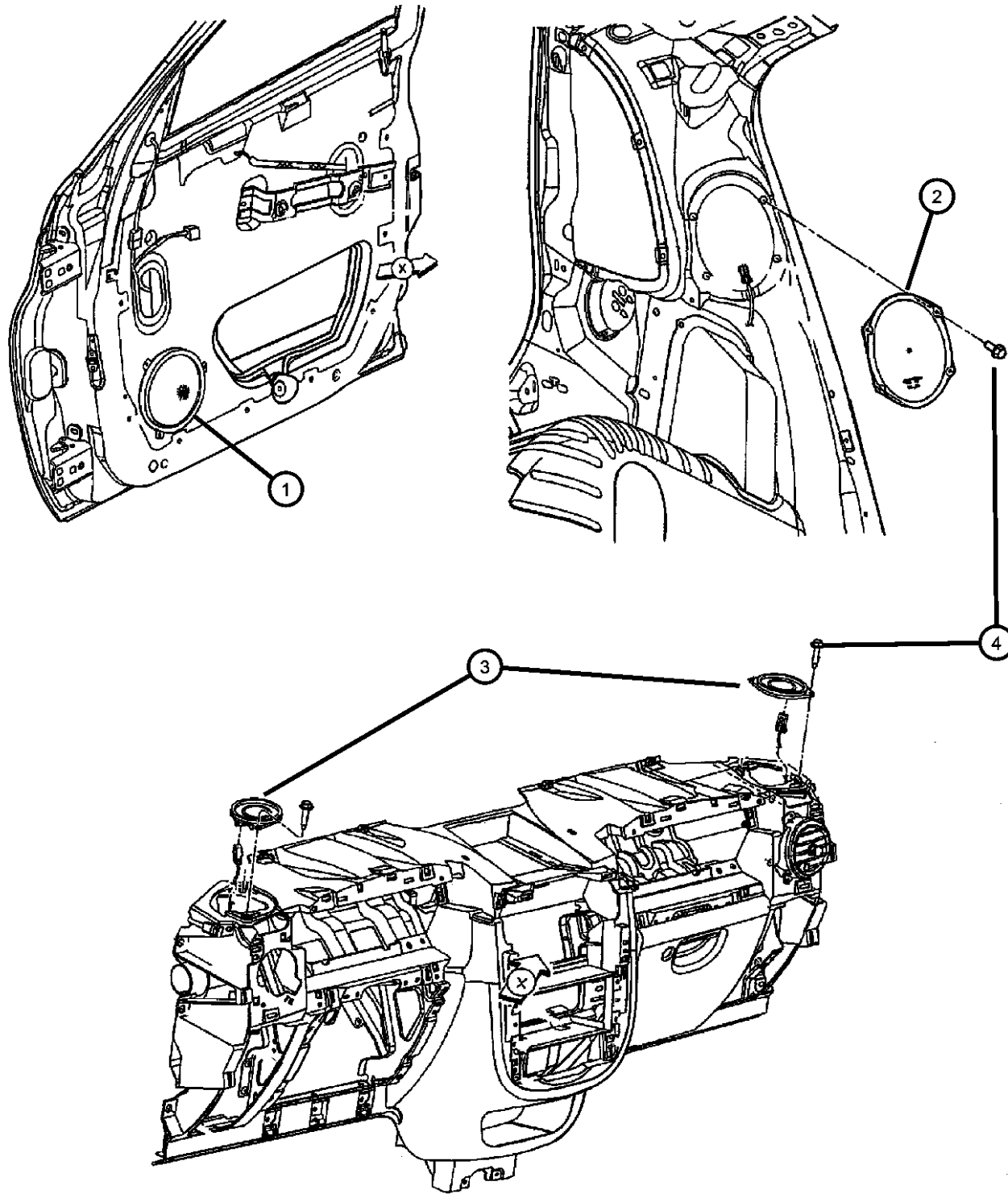
DDO = All Manual Transmissions

DGO = All Automatics

AR = use ase required - = Non illustrated part

2001 PT

**Speakers
Figure 08A-315**



| ITEM | PART NUMBER | QTY | LINE | SERIES | BODY | ENGINE | TRANS | TRIM | DESCRIPTION |
|------|-------------|-----|------|--------|------|--------|-------|------|------------------------------------|
| 1 | 04671647AA | 2 | | | | | | | SPEAKER, Front Door |
| 2 | 04671645AB | 2 | | | | | | | SPEAKER, Rear, 5.5x7.5 |
| 3 | 04671646AA | 2 | | | | | | | SPEAKER, TweeterInstrument Panel |
| 4 | | | | | | | | | SCREW, Tapping |
| | 06101946 | 6 | | | | | | | Front Door Speaker, Mounting |
| | | 4 | | | | | | | Instrument Panel Speaker, Mounting |
| | | 8 | | | | | | | Rear Compartment Speaker Mounting |

PT CRUISER (PT)

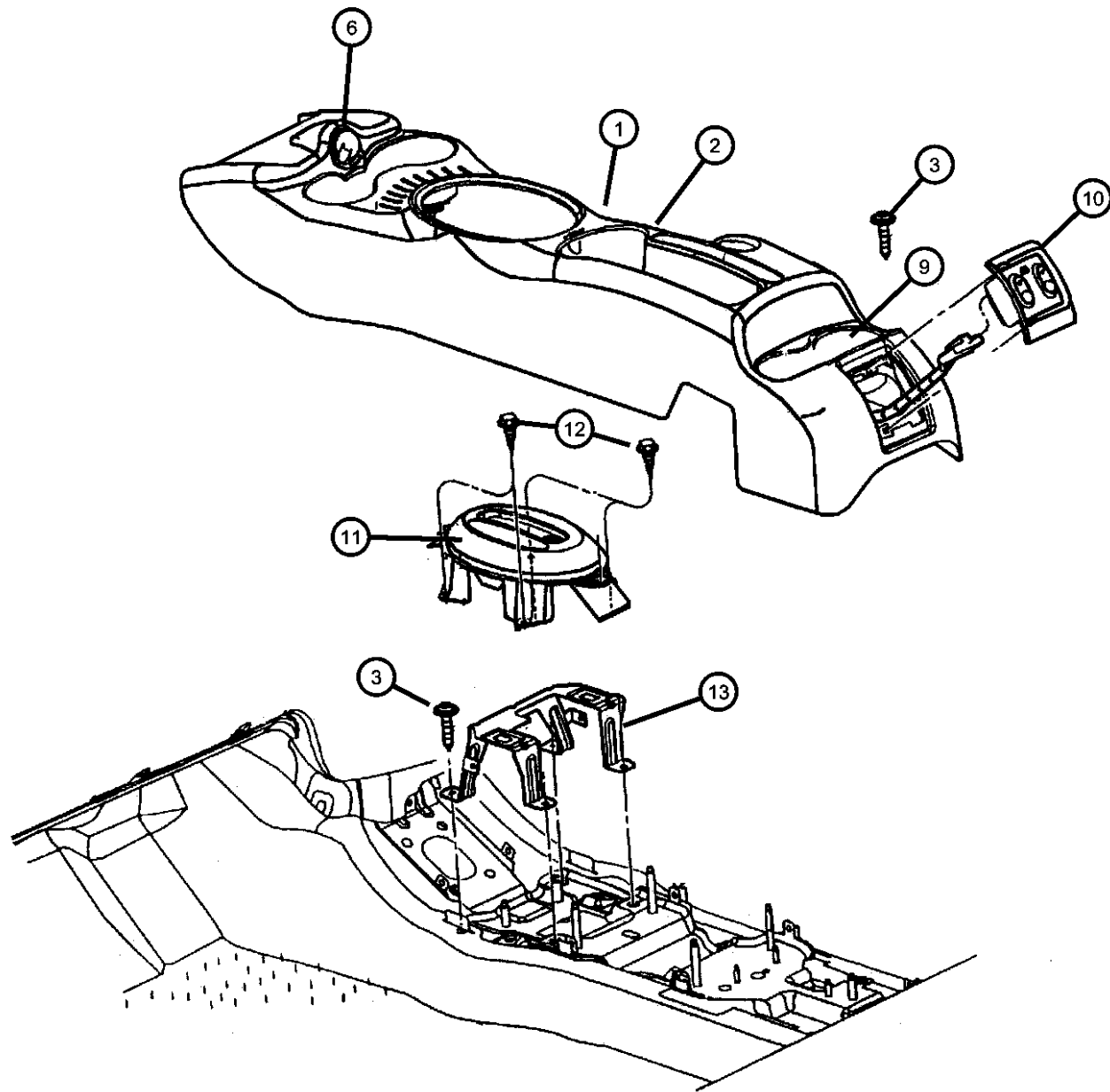
SERIES LINE
H = HIGHLINE Z = CHRYSLER (RHD)
 C = CHRYSLER, LHD

BODY
44 = Four Door

ENGINE TRANSMISSION
ECC = ENGINE - 2.0L 4 CYL DGL = TRANSMISSION - 4-SPD.
DOHC 16V SMPI AUTOMATIC, 41TE
EDZ = ENGINE - 2.4L 4 CYL DD5 = TRANSMISSION - 5-SPEED
DOHC 16V SMPI MANUAL
 DDO = All Manual Transmissions
 DGO = All Automatics

AR = use ase required - = Non illustrated part

Console, Floor
Figure 08A-405



| ITEM | PART NUMBER | QTY | LINE | SERIES | BODY | ENGINE | TRANS | TRIM | DESCRIPTION |
|------|-------------|-----|------|--------|------|--------|-------|------|--|
| 1 | 0RK06WL8AC | 1 | | | | | | | CONSOLE, Floor |
| 2 | 0RW43WL8AB | 1 | | | | | | | PANEL, Console, Dark Brown console base only |
| 3 | 06032723 | 2 | | | | | | | SCREW, Self Tapping, M4.2x1.69x19.05, Floor Console Rear Attaching |
| -4 | 06032452 | 2 | | | | | | | SCREW, Self Piercing, .164-15x.625 Console To Floor |
| -5 | 05023486AA | 1 | | | | | | | Right |
| | 05023489AA | 1 | | | | | | | Left |
| 6 | 04793554 | 1 | | | | | | | POWER OUTLET, Cigar Lighter |
| -7 | 04685591 | 1 | | | | | | | CAP, Cigar Lighter |
| -8 | 04685590 | 1 | | | | | | | BASE, Cigar Lighter |
| 9 | 0TL73WL8AA | 1 | | | | | | | MAT, Floor Console |
| 10 | | | | | | | | | SWITCH AND BEZEL, Power Window |
| | 0TP421L8AB | 1 | | | | | | | Rear Window, 2 Gang, Dark Brown up to 07/07/00 |
| | 0UG381L8AA | 1 | | | | | | | Rear Window, 2 Gang, Dark Brown used after 07/07/00 |
| 11 | | | | | | | | | BEZEL, Gear Shift Indicator |
| | 0TE89WL8AB | 1 | | | C | | | | Right Hand Drive |
| | 0TE90WL8AB | 1 | | | Z | | | | |
| 12 | 0TE90WL8AB | 1 | | | | | | | SCREW, M5X1.81X15, (NOT SERVICED) |
| 13 | 04775988AA | 1 | | | | | | | BRACKET, Forward Console |
| -14 | L0000194 | 1 | | | | | | | BULB, 194 Console Gear Selector Indicator Lamp |
| -15 | 04595823AA | 1 | | | | | | | SMOKERS KIT, Ash Receiver With Lighter |

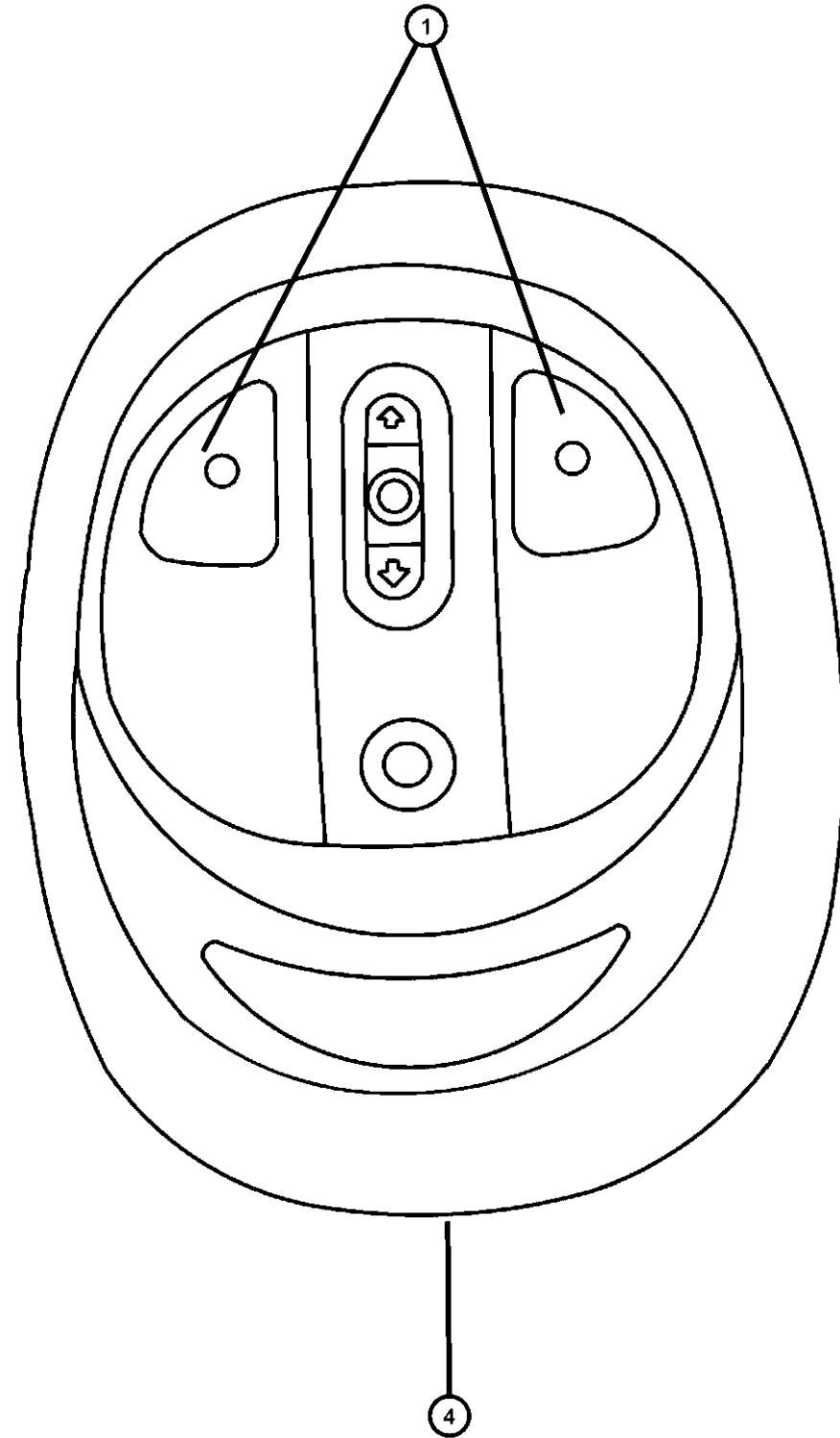
PT CRUISER (PT)

| | | | | |
|--------------|---|----------------|--|--|
| SERIES | LINE | BODY | ENGINE | TRANSMISSION |
| H = HIGHLINE | Z = CHRYSLER (RHD) C = CHRYSLER, LHD | 44 = Four Door | ECC = ENGINE - 2.0L 4 CYL DOHC 16V SMPI EDZ = ENGINE - 2.4L 4 CYL DOHC 16V SMPI | DGL = TRANSMISSION - 4-SPD. AUTOMATIC, 41TE DD5 = TRANSMISSION - 5-SPEED MANUAL DDO = All Manual Transmissions DGO = All Automatics |

AR = use ase required - = Non illustrated part

2001 PT

Console, Overhead
Figure 08A-410



| ITEM | PART NUMBER | QTY | LINE | SERIES | BODY | ENGINE | TRANS | TRIM | DESCRIPTION |
|------|-------------|-----|------|--------|------|--------|-------|------|--------------------------|
| 1 | 05016602AA | 1 | | | | | | | LENS, Maplamp Right |
| | 05016603AA | 1 | | | | | | | Left |
| -2 | 05016604AA | 2 | | | | | | | BULB, Dome Lamp |
| -3 | | | | | | | | | WIRING, Headliner |
| | 04671525AA | 1 | | | | | | | W/ Sunroof - Security |
| | 04671527AA | 1 | | | | | | | W/ Sunroof + Security |
| | 04671678AA | 1 | | | | | | | W/O Sunroof, Security |
| 4 | | | | | | | | | MODULE, Overhead Console |
| | 0TB77MF1AD | 1 | | | | | | | With Sunroof |
| | 0TB86MF1AD | 1 | | | | | | | Without Sunroof |

PT CRUISER (PT)

| | | | | |
|--------------|---|----------------|--|--|
| SERIES | LINE | BODY | ENGINE | TRANSMISSION |
| H = HIGHLINE | Z = CHRYSLER (RHD) C = CHRYSLER, LHD | 44 = Four Door | ECC = ENGINE - 2.0L 4 CYL DOHC 16V SMPI EDZ = ENGINE - 2.4L 4 CYL DOHC 16V SMPI | DGL = TRANSMISSION - 4-SPD. AUTOMATIC, 41TE DD5 = TRANSMISSION - 5-SPEED MANUAL DDO = All Manual Transmissions DGO = All Automatics |

AR = use ase required - = Non illustrated part

2001 PT

Group - 9

Engine Mounting

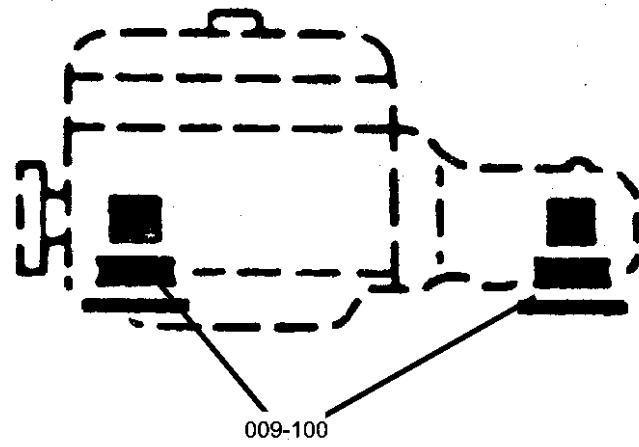
Group - 9 Engine Mounting

Illustration Title

Group-Fig. No.

Engine Mounting

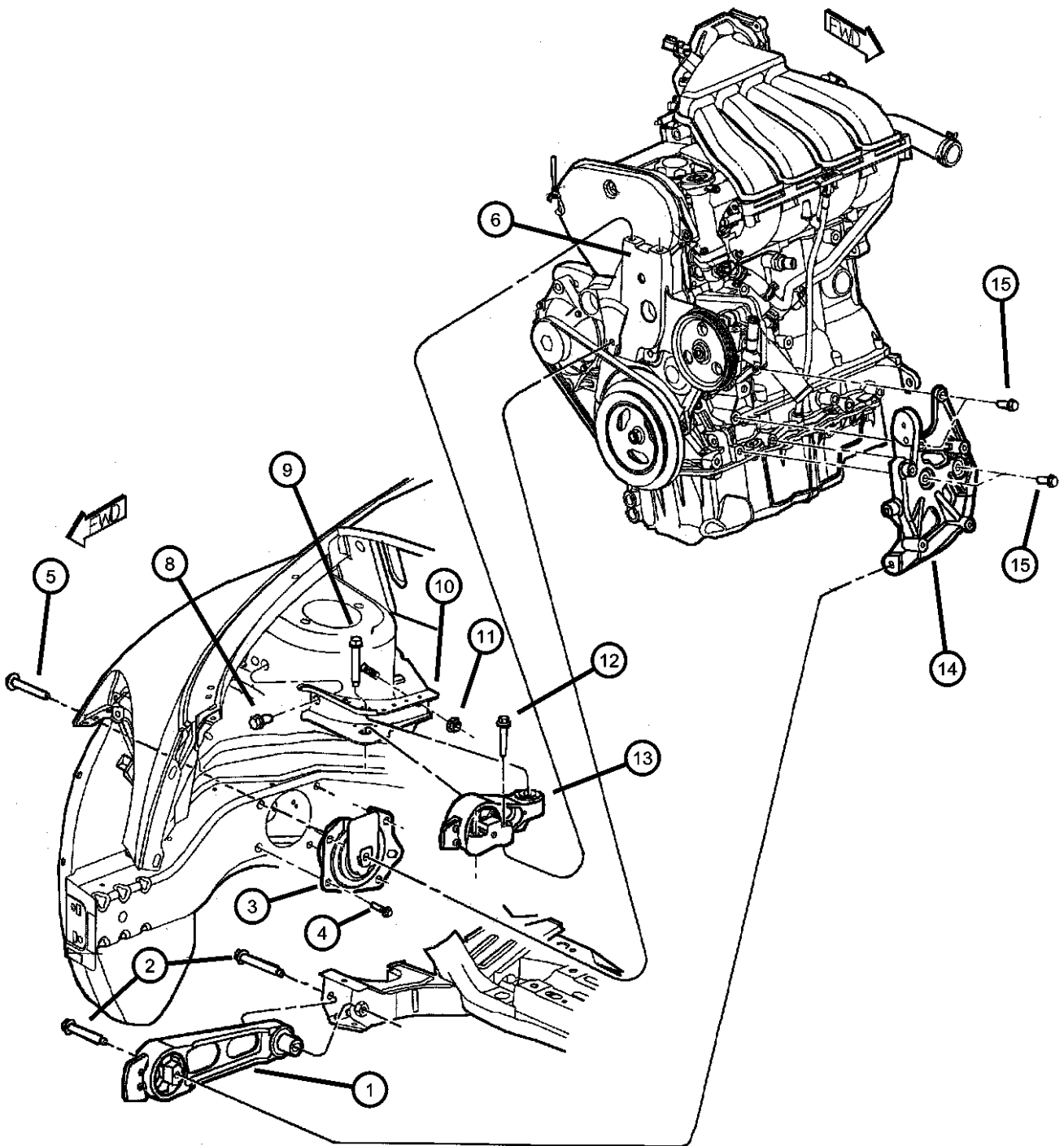
| | |
|--|--------------|
| Engine Mount / Front | Fig. 9 - 110 |
| Engine Mounts / Transmission | Fig. 9 - 120 |
| Engine Mounts / Brackets | Fig. 9 - 130 |
| Engine Mounts / Struts & Collars | Fig. 9 - 140 |



| | | | |
|---|--|--|--|
| <p>009-100 Engine Mounting</p> | | | |
|---|--|--|--|

Engine Mount / Front
Figure 9-110

| ITEM | PART NUMBER | QTY | LINE | SERIES | BODY | ENGINE | TRANS | TRIM | DESCRIPTION |
|---|-------------|-----|------|--------|------|--------|-------|------|---|
| NOTE: Sales Codes : [DGL]=4 Speed Automatic Transmission [DD5]=5 Speed Transmission [EDZ]=2.4L 4 Cyl. 16-V Engine | | | | | | | | | |
| 1 | | | | | | | | | ISOLATOR, Transmission Mount |
| | 04668195AC | 1 | | | | | DGL | | Automatic Transaxle, Lower |
| | 04668347AD | 1 | | | | | DD5 | | Manual Transmission, Lower |
| 2 | 06102067AA | 4 | | | | | | | BOLT, Automatic & Manual Transmission |
| 3 | 04668462AC | 1 | | | | | | | SUPPORT, Engine Mount |
| 4 | 06506394AA | 2 | | | | | | | BOLT |
| 5 | 06506379AA | 1 | | | | | | | SCREW, M12x1.75x85 |
| 6 | 04668521AA | 1 | | | | EDZ | | | BRACKET, Engine Mount |
| -7 | 04668519AC | 1 | | | | ECC | | | TENSIONER, Belt, On [ECC] Engine Bracket Only Serviced With Tentioner |
| 8 | 06101099 | 1 | | | | | | | BOLT |
| 9 | 06506715AA | 1 | | | | | | | BOLT |
| 10 | 04668263AC | 1 | | | | | | | BRACKET, Torque Reaction |
| 11 | 06501247 | 1 | | | | | | | NUT, M12x1.75 |
| 12 | 06505699AA | 2 | | | | | | | SCREW |
| 13 | | | | | | | | | ISOLATOR, Engine Mount |
| | 04668193AD | 1 | | | | | DGL | | Upper, Automatic Transmission |
| | 04668346AE | 1 | | | | | DD5 | | Upper, Manual Transmission |
| 14 | | | | | | | | | BRACKET, Torque Reaction |
| | 04668194AB | 1 | | | | ECC | DGL | | |
| | 04668383AC | 1 | | | | EDZ | DGL | | |
| | 04668687AB | 1 | | | | EDZ | DD5 | | |
| | 04668688AC | 1 | | | | ECC | DD5 | | |
| 15 | | | | | | | | | SCREW AND WASHER, Hex Head, M10x1.5x45 |
| | 06101512 | 3 | | | | EDZ | | | |
| | | 4 | | | | ECC | | | |



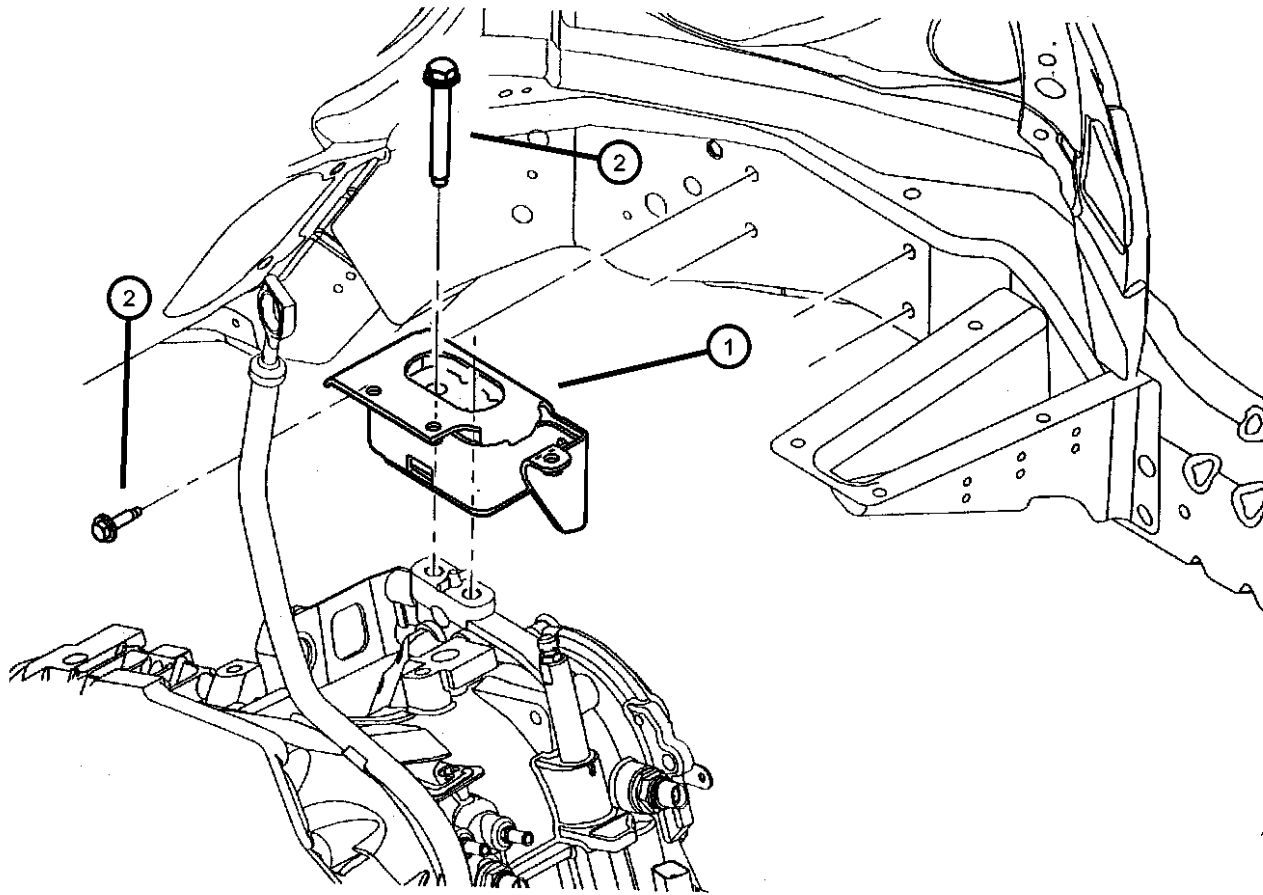
PT CRUISER (PT)

| | | | | |
|--------------|---|----------------|--|--|
| SERIES | LINE | BODY | ENGINE | TRANSMISSION |
| H = HIGHLINE | Z = CHRYSLER (RHD) C = CHRYSLER, LHD | 44 = Four Door | ECC = ENGINE - 2.0L 4 CYL DOHC 16V SMPI EDZ = ENGINE - 2.4L 4 CYL DOHC 16V SMPI | DGL = TRANSMISSION - 4-SPD. AUTOMATIC, 41TE DD5 = TRANSMISSION - 5-SPEED MANUAL DDO = All Manual Transmissions DGO = All Automatics |

AR = use ase required - = Non illustrated part

Engine Mounts / Transmission
Figure 9-120

| ITEM | PART NUMBER | QTY | LINE | SERIES | BODY | ENGINE | TRANS | TRIM | DESCRIPTION |
|------|-------------|-----|------|--------|------|--------|-------|------|---|
| 1 | 04668577AB | 1 | | | | | | | SUPPORT, Engine Mount, Automatic & Manual Transmission BOLT |
| 2 | 06506394AA | 2 | | | | | | | |



PT CRUISER (PT)

| | | | | |
|--------------|---|----------------|--|--|
| SERIES | LINE | BODY | ENGINE | TRANSMISSION |
| H = HIGHLINE | Z = CHRYSLER (RHD) C = CHRYSLER, LHD | 44 = Four Door | ECC = ENGINE - 2.0L 4 CYL DOHC 16V SMPI EDZ = ENGINE - 2.4L 4 CYL DOHC 16V SMPI | DGL = TRANSMISSION - 4-SPD. AUTOMATIC, 41TE DD5 = TRANSMISSION - 5-SPEED MANUAL DDO = All Manual Transmissions DGO = All Automatics |

AR = use ase required - = Non illustrated part

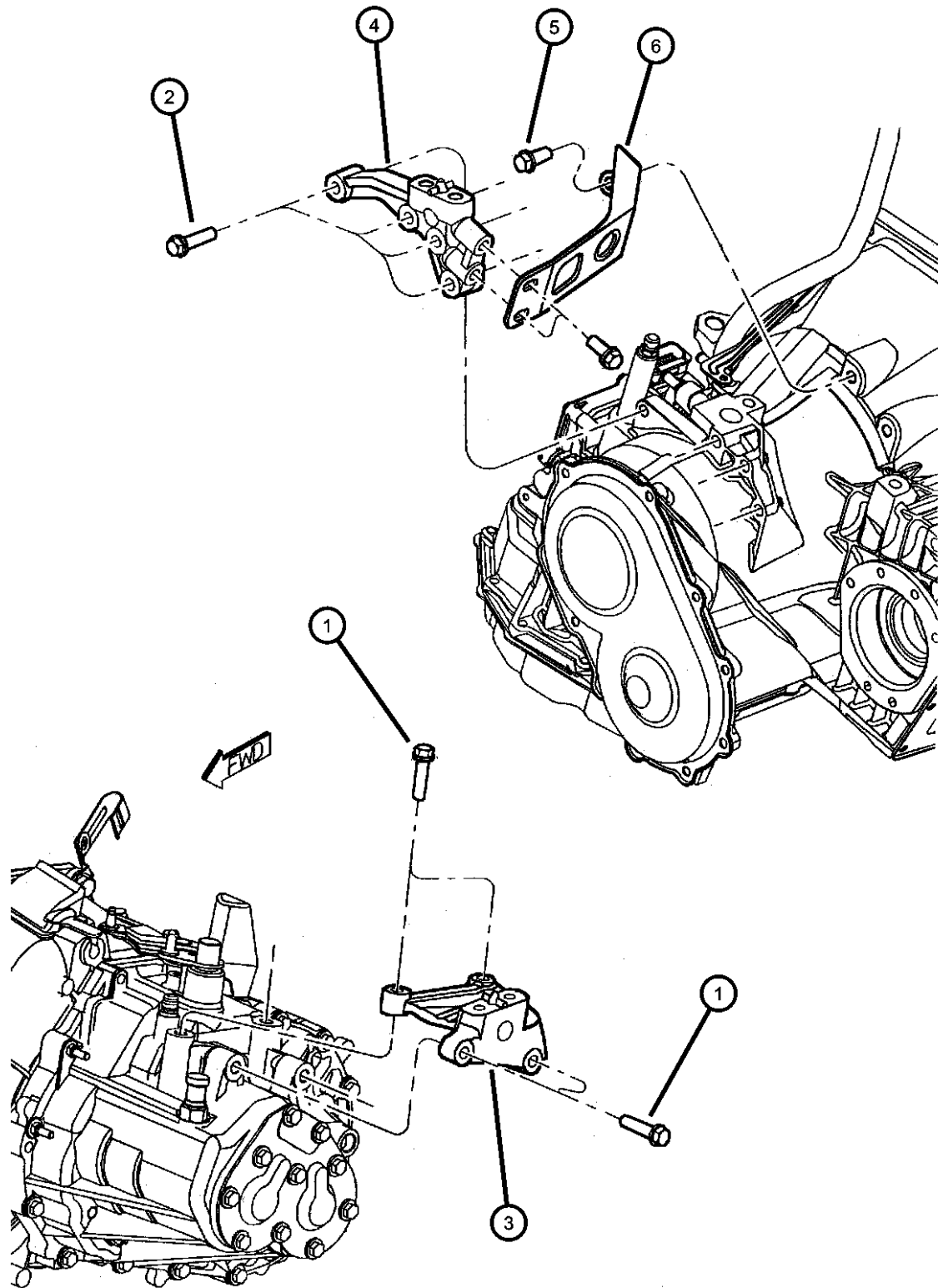
2001 PT

Engine Mounts / Brackets
Figure 9-130

| ITEM | PART NUMBER | QTY | LINE | SERIES | BODY | ENGINE | TRANS | TRIM | DESCRIPTION |
|------|-------------|-----|------|--------|------|--------|-------|------|-------------|
|------|-------------|-----|------|--------|------|--------|-------|------|-------------|

NOTE:
Sales Codes :
[DGL]=4 Speed Automatic Transmission
[DD5]=5 Speed Transmission
[EDZ]=2.4L 4 Cyl. 16-V Engine

| | | | | | | | | | |
|---|------------|---|--|--|--|------------|-----|--|--|
| 1 | | | | | | EDZ ECC | | | SCREW AND WASHER, Hex Head, M10x1.5x45 |
| | 06101512 | 3 | | | | | | | |
| | | 3 | | | | | | | |
| 2 | 06101622 | 4 | | | | | DGL | | SCREW AND WASHER, Hex Head, M10x1.5x55 |
| 3 | 04668578AD | 1 | | | | | DD5 | | SUPPORT, Engine Mount |
| 4 | 04668628AB | 1 | | | | | DGL | | SUPPORT, Engine Mount |
| 5 | 06506019AA | 2 | | | | | DGL | | BOLT AND WASHER, Hex Head, M10x1.5x30 |
| 6 | 04668629AB | 1 | | | | | DGL | | BRACKET, Engine Mount |



PT CRUISER (PT)

| | | | | |
|--------------|---|----------------|--|--|
| SERIES | LINE | BODY | ENGINE | TRANSMISSION |
| H = HIGHLINE | Z = CHRYSLER (RHD) C = CHRYSLER, LHD | 44 = Four Door | ECC = ENGINE - 2.0L 4 CYL DOHC 16V SMPI EDZ = ENGINE - 2.4L 4 CYL DOHC 16V SMPI | DGL = TRANSMISSION - 4-SPD. AUTOMATIC, 41TE DD5 = TRANSMISSION - 5-SPEED MANUAL DDO = All Manual Transmissions DGO = All Automatics |

AR = use ase required - = Non illustrated part

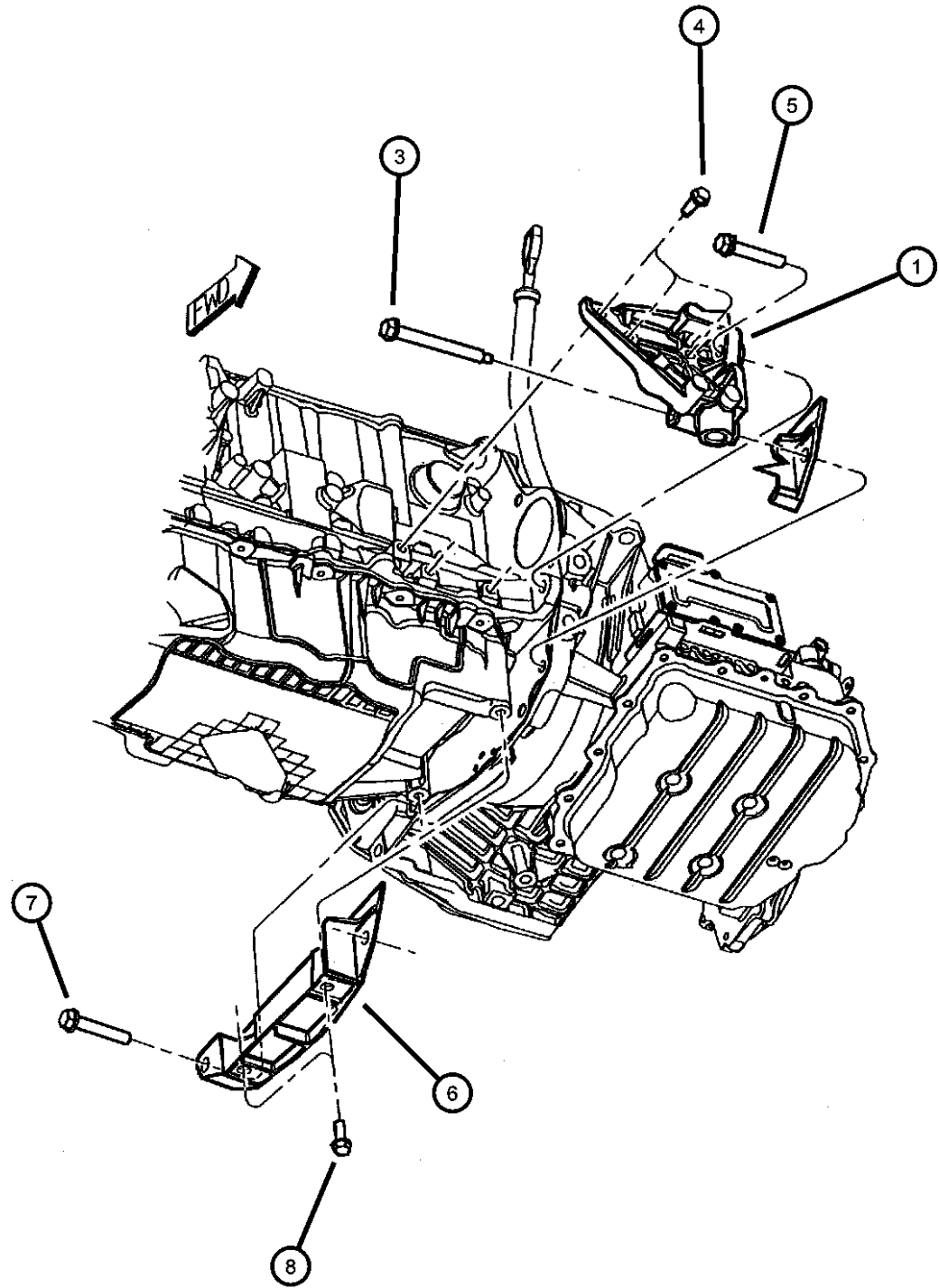
2001 PT

Engine Mounts / Struts & Collars
Figure 9-140

| ITEM | PART NUMBER | QTY | LINE | SERIES | BODY | ENGINE | TRANS | TRIM | DESCRIPTION |
|------|-------------|-----|------|--------|------|--------|-------|------|-------------|
|------|-------------|-----|------|--------|------|--------|-------|------|-------------|

NOTE:
 Sales Codes :
 [DGL]=4 Speed Automatic Transmission
 [DD5]=5 Speed Transmission
 [EDZ]=2.4L 4 Cyl. 16-V Engine

| | | | | | | | | | |
|----|------------|---|---|--|--|-----|-----|--|---|
| 1 | 04668546AA | 1 | | | | | DGL | | STRUT, Engine MountAutomatic Transaxle |
| -2 | | | | | | | | | STRUT, Engine |
| | 04668481AA | 1 | | | | ECC | DD5 | | |
| | 04668549AC | 1 | | | | EDZ | DD5 | | |
| 3 | 06502874 | 1 | | | | | DGL | | BOLT, Hex Head, M12x1.75x120 |
| 4 | 06506019AA | 3 | | | | | DGL | | BOLT AND WASHER, Hex Head, M10x1.5x30 |
| 5 | 06101662 | 1 | | | | | DGL | | SCREW AND WASHER, Hex Head, M12x1.75x70 |
| 6 | | | | | | | | | COLLAR, Structural, Oil Pan To Transmission |
| | 04668270AB | 1 | | | | ECC | | | Automatic & Manual Transmission |
| | 04668689AB | 1 | | | | EDZ | DD5 | | |
| | 04792251AC | 1 | | | | EDZ | DGL | | |
| 7 | 06101962 | 2 | | | | | | | BOLT, Hex Flange Head |
| 8 | 06506019AA | 3 | C | | | | | | BOLT AND WASHER, Hex Head, M10x1.5x30 |



PT CRUISER (PT)

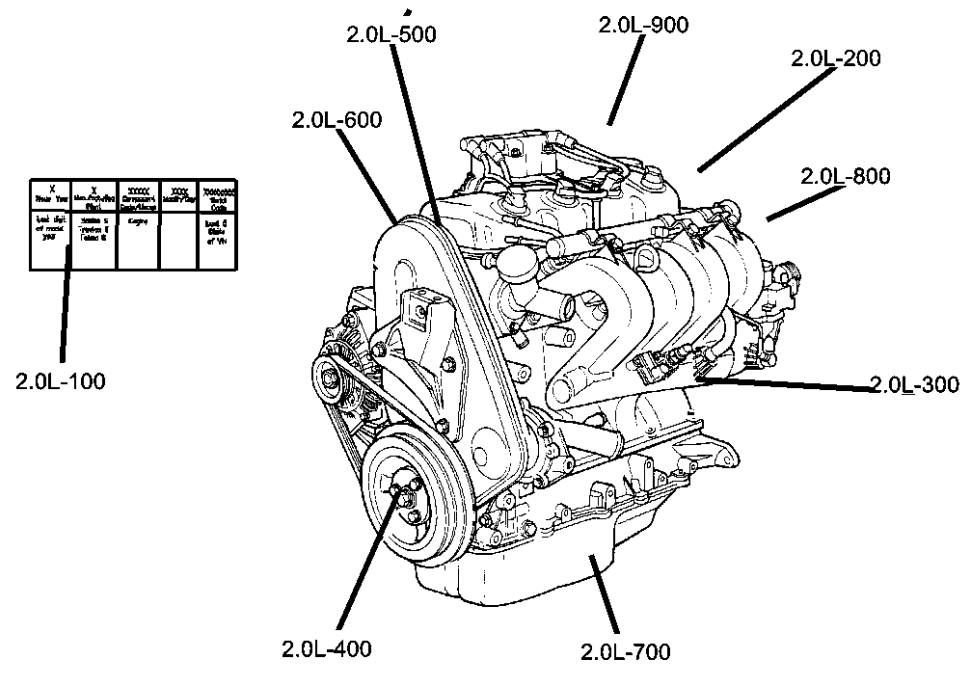
| | | | | |
|--------------|---|----------------|--|--|
| SERIES | LINE | BODY | ENGINE | TRANSMISSION |
| H = HIGHLINE | Z = CHRYSLER (RHD) C = CHRYSLER, LHD | 44 = Four Door | ECC = ENGINE - 2.0L 4 CYL DOHC 16V SMPI EDZ = ENGINE - 2.4L 4 CYL DOHC 16V SMPI | DGL = TRANSMISSION - 4-SPD. AUTOMATIC, 41TE DD5 = TRANSMISSION - 5-SPEED MANUAL DDO = All Manual Transmissions DGO = All Automatics |

AR = use ase required - = Non illustrated part

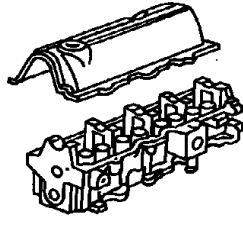
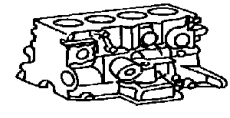
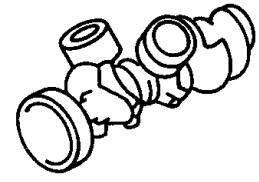
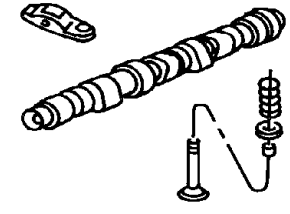
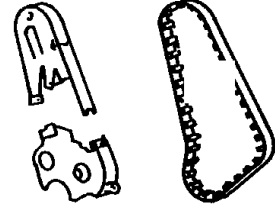
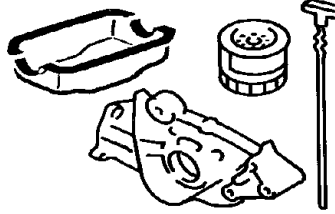
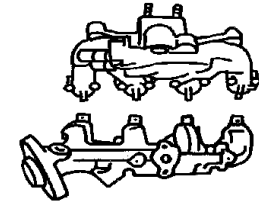
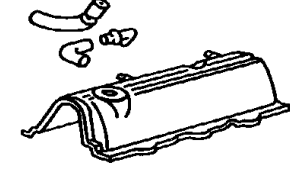
2001 PT

Group - 2.0L

Engine 2.0L Four Cylinder



| X | X | XXXX | XXXX | XXXXXXXX |
|--------------------------|-----------------------------------|--|-----------|----------------------|
| Model Year | Manufacturing Plant | Component Code/Usage | Month/Day | Serial Code |
| Last digit of model year | Sattilo S Trenton T Tokyo K | Engine 3.2L - 3.5L Usage Pass Car PC Truck T | | Last 8 Digits of VIN |

| 2.0L-100 Engine Identification <table border="1"> <thead> <tr> <th>X</th> <th>X</th> <th>XXXX</th> <th>XXXX</th> <th>XXXXXXXX</th> </tr> <tr> <th>Model Year</th> <th>Manufacturing Plant</th> <th>Component Code/Usage</th> <th>Month/Day</th> <th>Serial Code</th> </tr> </thead> <tbody> <tr> <td>Last digit of model year</td> <td>Sattilo S Trenton T Tokyo K</td> <td>Engine 3.2L - 3.5L Usage Pass Car PC Truck T</td> <td></td> <td>Last 8 Digits of VIN</td> </tr> </tbody> </table> | X | X | XXXX | XXXX | XXXXXXXX | Model Year | Manufacturing Plant | Component Code/Usage | Month/Day | Serial Code | Last digit of model year | Sattilo S Trenton T Tokyo K | Engine 3.2L - 3.5L Usage Pass Car PC Truck T | | Last 8 Digits of VIN | 2.0L-200 Cylinder Head  | 2.0L-300 Cylinder Block  | 2.0L-400 Crankshaft, Piston, and Drive Plate  |
|---|--|--|--|----------------------|----------|------------|---------------------|----------------------|-----------|-------------|--------------------------|-----------------------------------|--|--|----------------------|--|---|--|
| X | X | XXXX | XXXX | XXXXXXXX | | | | | | | | | | | | | | |
| Model Year | Manufacturing Plant | Component Code/Usage | Month/Day | Serial Code | | | | | | | | | | | | | | |
| Last digit of model year | Sattilo S Trenton T Tokyo K | Engine 3.2L - 3.5L Usage Pass Car PC Truck T | | Last 8 Digits of VIN | | | | | | | | | | | | | | |
| 2.0L-500 Camshafts and Valves  | 2.0L-600 Timing Belt and Cover  | 2.0L-700 Engine Oiling  | 2.0L-800 Manifolds  | | | | | | | | | | | | | | | |
| 2.0L-900 Crankcase Ventilation  | | | | | | | | | | | | | | | | | | |

Group - 2.0L Engine 2.0L Four Cylinder

| Illustration Title | Group-Fig. No. |
|---|-----------------|
| Engine Identification | |
| I. D. Location 2.0L DOHC (ECC)..... | Fig. 2.0L - 112 |
| Cylinder Head | |
| Cylinder Head 2.0L DOHC (ECC) | Fig. 2.0L - 212 |
| Cylinder Block | |
| Cylinder Block 2.0L DOHC (ECC) | Fig. 2.0L - 312 |
| Crankshaft, Piston, and Drive Plate | |
| Crankshaft, Piston, Driveplate 2.0L DOHC (ECC)..... | Fig. 2.0L - 412 |
| Camshafts and Valves | |
| Camshaft and Valves 2.0L DOHC (ECC) | Fig. 2.0L - 512 |
| Timing Belt and Cover | |
| Timing Belt and Cover 2.0L DOHC (ECC) | Fig. 2.0L - 612 |
| Engine Oiling | |
| Engine Oiling 2.0L DOHC (ECC) | Fig. 2.0L - 712 |
| Manifolds | |
| Manifolds 2.0L DOHC (ECC)..... | Fig. 2.0L - 812 |
| Crankcase Ventilation | |
| Crankcase Ventilation 2.0L DOHC (ECC)..... | Fig. 2.0L - 912 |

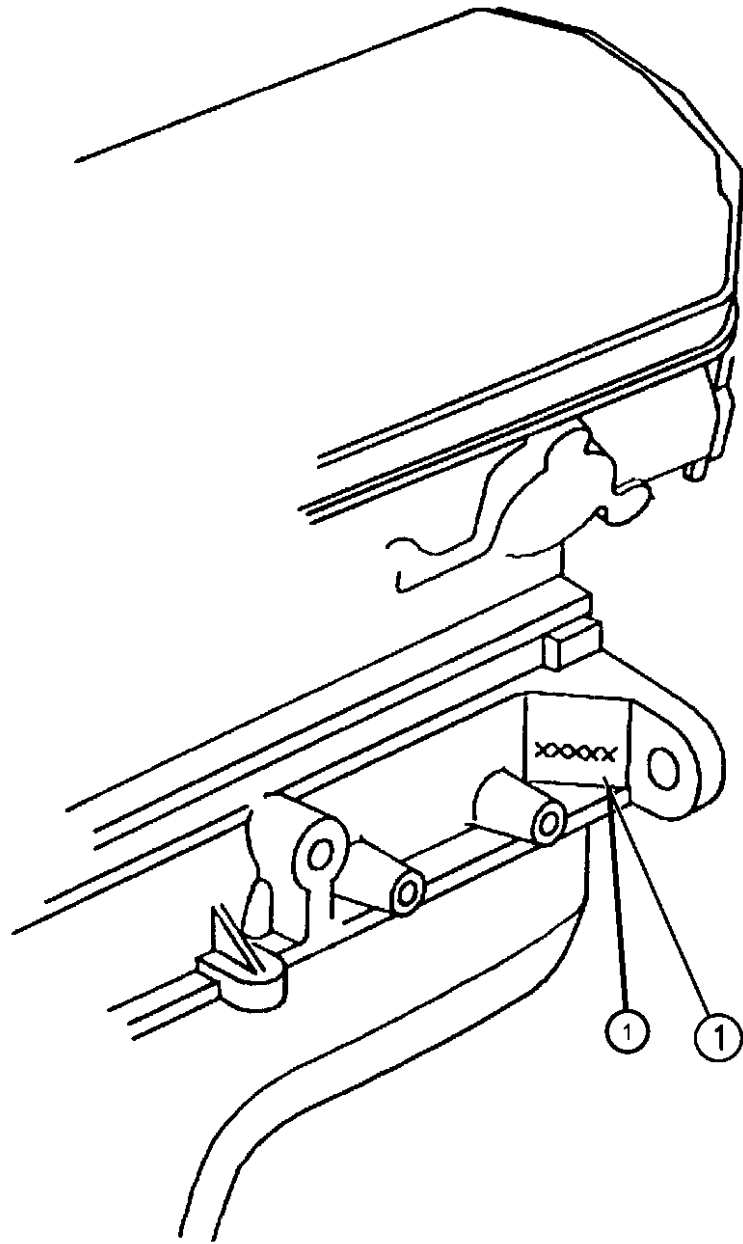
I. D. Location 2.0L DOHC (ECC)
Figure 2.0L-112

| ITEM | PART NUMBER | QTY | LINE | SERIES | BODY | ENGINE | TRANS | TRIM | DESCRIPTION |
|------|-------------|-----|------|--------|------|--------|-------|------|-------------|
|------|-------------|-----|------|--------|------|--------|-------|------|-------------|

NOTE: Sales Code
[ECC]=2.0L DOHC Engine

| | | | | | | | | | |
|---|------------|---|--|--|--|--|--|--|--|
| 1 | 06506019AA | 3 | | | | | | | |
|---|------------|---|--|--|--|--|--|--|--|

LABEL, Engine Identification, (NOT SERVICED)



PT CRUISER (PT)

| | |
|--------------|---|
| SERIES | LINE |
| H = HIGHLINE | Z = CHRYSLER (RHD) C = CHRYSLER, LHD |

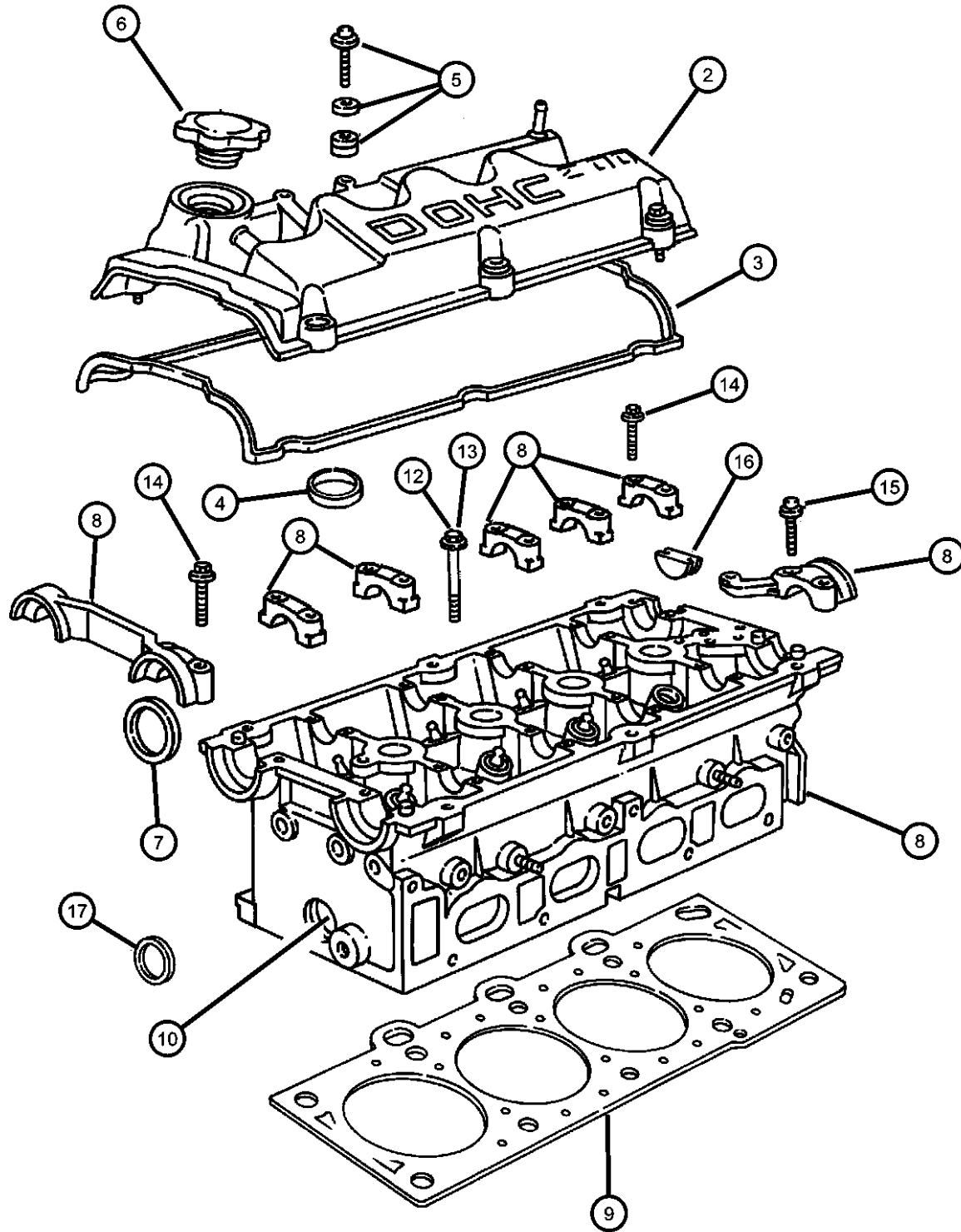
| |
|----------------|
| BODY |
| 44 = Four Door |

| | |
|---|---|
| ENGINE | TRANSMISSION |
| ECC = ENGINE - 2.0L 4 CYL DOHC 16V SMPI | DGL = TRANSMISSION - 4-SPD. AUTOMATIC, 41TE |
| EDZ = ENGINE - 2.4L 4 CYL DOHC 16V SMPI | DD5 = TRANSMISSION - 5-SPEED MANUAL |
| | DDO = All Manual Transmissions |
| | DGO = All Automatics |

AR = use ase required - = Non illustrated part

2001 PT

**Cylinder Head 2.0L DOHC (ECC)
Figure 2.0L-212**



NOTE: Sales Code
[ECC]=2.0L DOHC Engine.

| ITEM | PART NUMBER | QTY | LINE | SERIES | BODY | ENGINE | TRANS | TRIM | DESCRIPTION |
|------|-------------|-----|------|--------|------|--------|-------|------|---|
| -1 | 05017826AA | 1 | | | | ECC | | | GASKET PACKAGE, Engine Upper |
| 2 | 04777473 | 1 | | | | ECC | | | COVER, Cylinder Head |
| 3 | 04777478 | 1 | | | | ECC | | | GASKET, Valve Cover |
| 4 | 04777477 | 4 | | | | ECC | | | GASKET, Spark Plug Well |
| 5 | 04777997AA | 9 | | | | ECC | | | ISOLATOR, Cylinder Head Cover, Grommet And Bolt |
| 6 | 04777536 | 1 | | | | ECC | | | CAP, Oil Filler |
| 7 | 04777086 | 2 | | | | ECC | | | SEAL, Camshaft |
| 8 | 04667088AB | 1 | | | | ECC | | | HEAD, Cylinder Mopar Remanufactured Part |
| | R5424611 | | | | | | | | |
| 9 | 04781150AB | 1 | | | | ECC | | | GASKET, Cylinder Head |
| 10 | 04556020 | 2 | | | | ECC | | | PLUG, Core, 1.25 Diameter |
| -11 | 00444668 | 1 | | | | ECC | | | PLUG, Core |
| 12 | 06503559 | 4 | | | | ECC | | | BOLT, Cylinder Head |
| 13 | 06503560 | 6 | | | | ECC | | | BOLT, Cylinder Head |
| 14 | 06100918 | 18 | | | | ECC | | | BOLT, Hex Flange Head, M6x1.00x35 |
| 15 | 06101527 | 6 | | | | ECC | | | SCREW, Hex Flange Head, M8x1.25x40 |
| 16 | 04667731 | 1 | | | | ECC | | | PLUG, Camshaft |
| 17 | 00444668 | 1 | | | | ECC | | | PLUG, Core |
| -18 | 04591227 | 1 | | | | ECC | | | COVER, EGR Port |
| -19 | 04663247 | 1 | | | | ECC | | | GASKET, EGR Valve |

PT CRUISER (PT)

SERIES LINE
H = HIGHLINE Z = CHRYSLER (RHD)
C = CHRYSLER, LHD

BODY
44 = Four Door

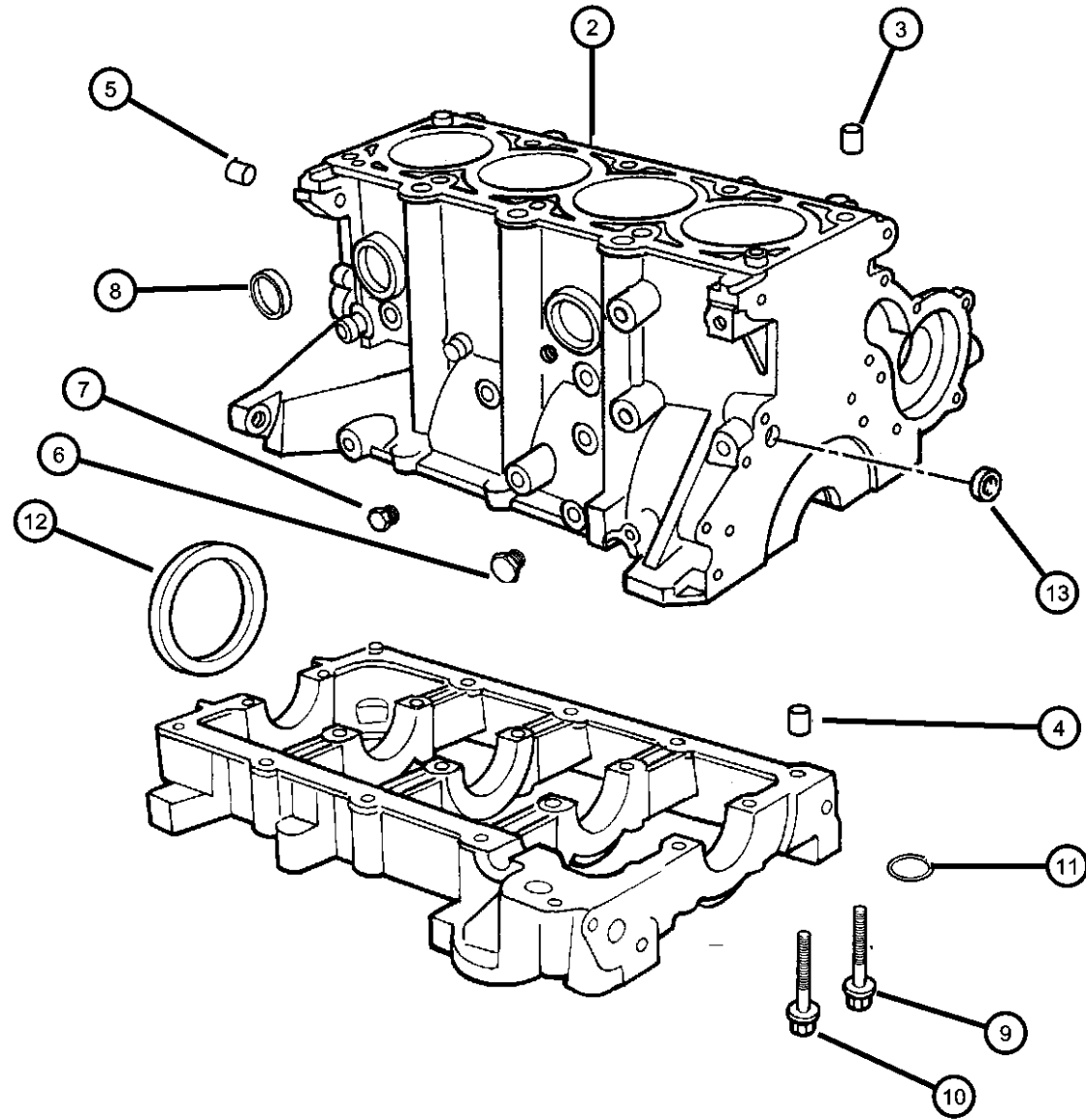
ENGINE TRANSMISSION
ECC = ENGINE - 2.0L 4 CYL DOHC 16V SMPI
EDZ = ENGINE - 2.4L 4 CYL DOHC 16V SMPI
DGL = TRANSMISSION - 4-SPD. AUTOMATIC, 41TE
DD5 = TRANSMISSION - 5-SPEED MANUAL
DDO = All Manual Transmissions
DGO = All Automatics

AR = use ase required - = Non illustrated part

2001 PT

**Cylinder Block 2.0L DOHC (ECC)
Figure 2.0L-312**

| ITEM | PART NUMBER | QTY | LINE | SERIES | BODY | ENGINE | TRANS | TRIM | DESCRIPTION |
|---|-------------|-----|------|--------|------|--------|-------|------|---|
| NOTE: Sales Code [ECC]=2.0L DOHC Engine. | | | | | | | | | |
| -1 | 04798967AE | 1 | | | | ECC | | | GASKET PACKAGE, Engine Lower |
| 2 | 05017803AA | 1 | | | | ECC | | | BLOCK, Short, Contains Block, Bed Plate, Crank, Rods, Pistons, Rings, Oil Pump, Oil Pan |
| 3 | 04448856 | 2 | | | | ECC | | | DOWEL, Block To Cylinder Head |
| 4 | 04694106 | 3 | | | | ECC | | | DOWEL, Engine Block To Bedplate |
| 5 | 05240849 | 2 | | | | ECC | | | DOWEL, Block To Clutch Housing |
| 6 | 05240849 | 2 | | | | | | | PLUG, Pipe, (NOT SERVICED) |
| 7 | 06036020AA | 6 | | | | ECC | | | PLUG, Pipe |
| 8 | 06034804 | 4 | | | | ECC | | | PLUG, Core, 1.39 Diameter |
| 9 | 06503072 | 10 | | | | ECC | | | BOLT, Main Bearing Cap |
| 10 | 06503072 | 10 | | | | ECC | | | BOLT, Main Bearing Cap |
| 11 | 06034773 | 1 | | | | ECC | | | O RING, Bedplate To Engine Block |
| 12 | 04621939AB | 1 | | | | ECC | | | SEAL, Rear Main Crankshaft |
| 13 | 04556018 | 2 | | | | ECC | | | PLUG, Cylinder Block Oil Hole |



PT CRUISER (PT)

| | | | | |
|--------------|---|----------------|--|--|
| SERIES | LINE | BODY | ENGINE | TRANSMISSION |
| H = HIGHLINE | Z = CHRYSLER (RHD) C = CHRYSLER, LHD | 44 = Four Door | ECC = ENGINE - 2.0L 4 CYL DOHC 16V SMPI EDZ = ENGINE - 2.4L 4 CYL DOHC 16V SMPI | DGL = TRANSMISSION - 4-SPD. AUTOMATIC, 41TE DD5 = TRANSMISSION - 5-SPEED MANUAL DDO = All Manual Transmissions DGO = All Automatics |

AR = use ase required - = Non illustrated part

2001 PT

**Crankshaft, Piston, Driveplate 2.0L DOHC (ECC)
Figure 2.0L-412**

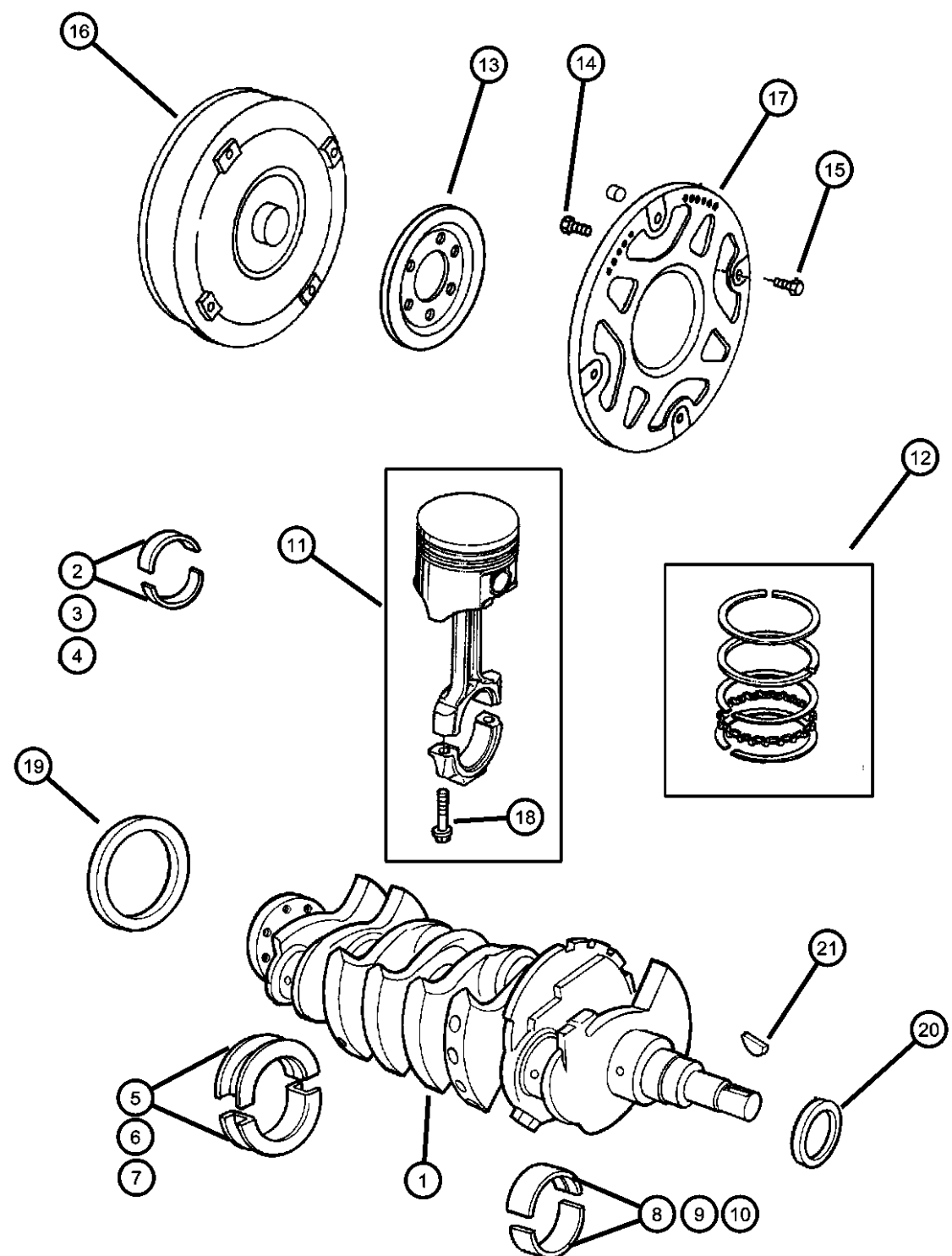
| ITEM | PART NUMBER | QTY | LINE | SERIES | BODY | ENGINE | TRANS | TRIM | DESCRIPTION |
|--|--------------------------|-----|------|--------|------|--------|-------|------|--|
| NOTE: Sales Codes [DGC]=3-Speed Auto Transmission [DGL]=4 Speed Auto Transmission [ECC]=2.0L 4 Cyl DOHC 16V | | | | | | | | | |
| 1 | 04667754 | 1 | | | | ECC | | | CRANKSHAFT |
| 2 | 04728997 | AR | | | | ECC | | | BEARING PACKAGE, Connecting Rod, Standard |
| 3 | 04728991 | AR | | | | ECC | | | BEARING PACKAGE, Connecting Rod, .025mm Undersize |
| 4 | 04728992 | AR | | | | ECC | | | BEARING PACKAGE, Connecting Rod, .25mm Undersize |
| 5 | 04856734 | AR | | | | ECC | | | BEARING PACKAGE, Crankshaft Thrust, STD. |
| 6 | 04856736 | AR | | | | ECC | | | BEARING PACKAGE, Crankshaft Thrust, .016mm Undersize |
| 7 | 04856738 | AR | | | | ECC | | | BEARING PACKAGE, Crankshaft Thrust, .25mm Undersize |
| 8 | 04856733 | 1 | | | | ECC | | | BEARING PACKAGE, Crankshaft Main, Standard Size |
| 9 | 04856735 | AR | | | | ECC | | | BEARING PACKAGE, Crankshaft, .016mm Undersize |
| 10 | 04856737 | AR | | | | ECC | | | BEARING PACKAGE, Crankshaft, .25 mm Undersize |
| 11 | 05017796AA | 4 | | | | ECC | | | PISTON PIN AND ROD |
| 12 | 04741401 | 1 | | | | ECC | | | PISTON RING SET, COMPLETE ENGINE, STD. |
| 13 | 04471933 | 1 | | | | | DGL | | PLATE, Drive Plate Backing |
| 14 | 06503465 | 8 | | | | | DGC | | BOLT, Drive Plate and Flywheel |
| 15 | 06501099 | 4 | | | | | DGL | | BOLT, Hex Head, M10x1.50 x 13.20 |
| 16 | 04796384AB R4796384AB | 1 | | | | ECC | DGC | | CONVERTER PACKAGE, Torque Mopar Remanufactured Part |
| 17 | 04567143 | 1 | | | | | DGL | | PLATE, Drive Plate |
| 18 | 06503116 | 8 | | | | ECC | | | BOLT, Connecting Rod |
| 19 | 04621939AB | 1 | | | | ECC | | | SEAL, Rear Main Crankshaft |
| 20 | 04667198 | 1 | | | | ECC | | | SEAL, Front Main Crankshaft |
| 21 | 06035473 | 1 | | | | ECC | | | KEY, Crankshaft Sprocket |

PT CRUISER (PT)

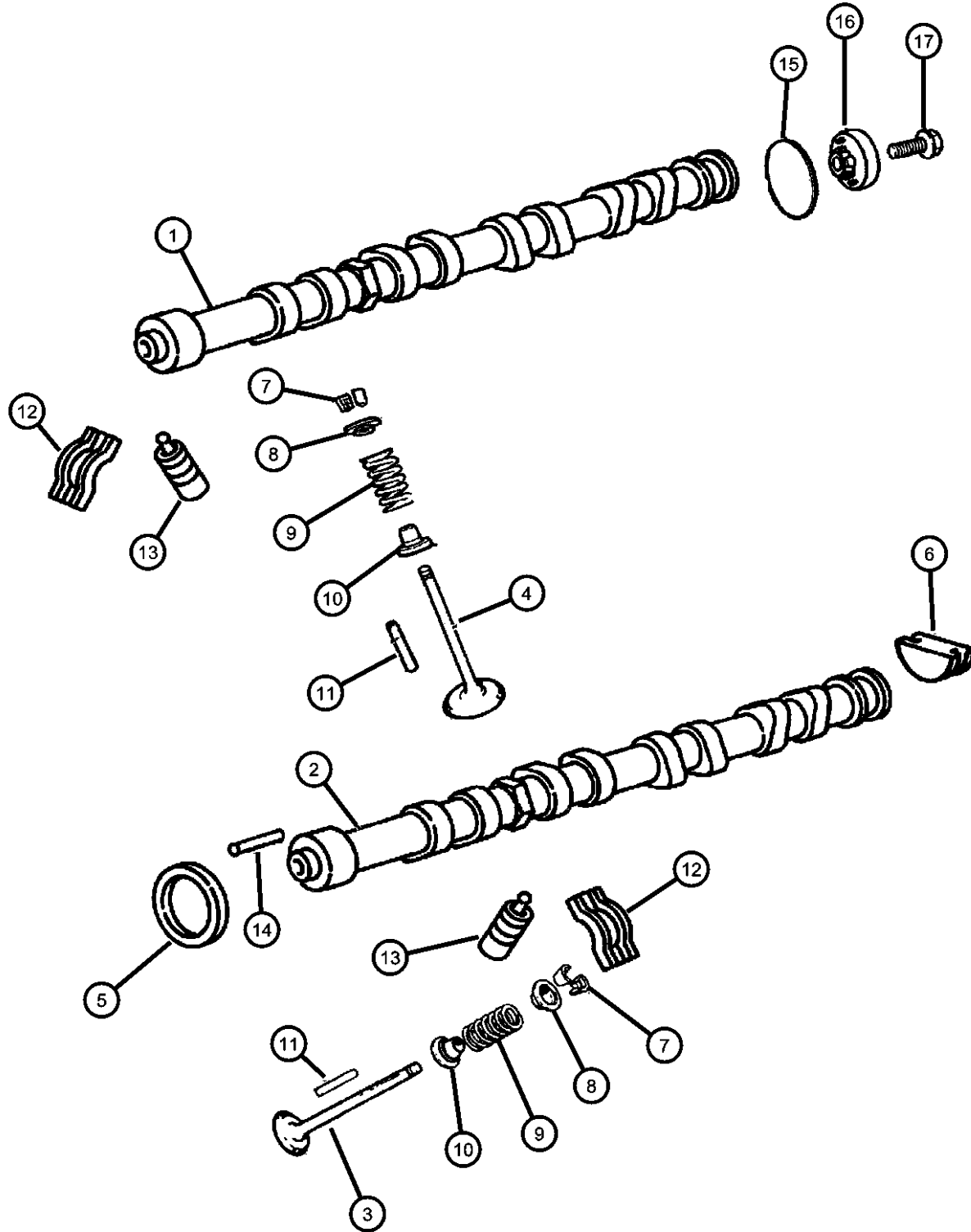
| | | | | |
|--------------|---|----------------|--|--|
| SERIES | LINE | BODY | ENGINE | TRANSMISSION |
| H = HIGHLINE | Z = CHRYSLER (RHD) C = CHRYSLER, LHD | 44 = Four Door | ECC = ENGINE - 2.0L 4 CYL DOHC 16V SMPI EDZ = ENGINE - 2.4L 4 CYL DOHC 16V SMPI | DGL = TRANSMISSION - 4-SPD. AUTOMATIC, 41TE DD5 = TRANSMISSION - 5-SPEED MANUAL DDO = All Manual Transmissions DGO = All Automatics |

AR = use ase required - = Non illustrated part

2001 PT



Camshaft and Valves 2.0L DOHC (ECC)
Figure 2.0L-512



| ITEM | PART NUMBER | QTY | LINE | SERIES | BODY | ENGINE | TRANS | TRIM | DESCRIPTION |
|---|-------------|-----|------|--------|------|--------|-------|------|--|
| NOTE: Sales Code [ECC]=2.0L DOHC Engine. | | | | | | | | | |
| 1 | 04777631AB | 1 | | | | ECC | | | CAMSHAFT, Intake |
| 2 | 04777632AB | 1 | | | | ECC | | | CAMSHAFT, Exhaust |
| 3 | 04777898AA | 8 | | | | ECC | | | VALVE, Exhaust, Standard |
| 4 | 04667969AB | 8 | | | | ECC | | | VALVE, Intake, Standard |
| 5 | 04777086 | 2 | | | | ECC | | | SEAL, Camshaft |
| 6 | 04667731 | 1 | | | | ECC | | | PLUG, Camshaft |
| 7 | 04777050AB | 32 | | | | ECC | | | LOCK, Valve Spring Retainer |
| 8 | 04648682AB | 16 | | | | ECC | | | RETAINER, Valve Spring |
| 9 | 04777555AB | 16 | | | | ECC | | | SPRING, Valve |
| 10 | 04648619 | 16 | | | | ECC | | | SEAL, Valve Guide |
| 11 | 04667411 | AR | | | | ECC | | | GUIDE, Intake/Exhaust Valve, 7mm Oversize |
| 12 | 04884042AA | 16 | | | | ECC | | | ROCKER ARM, Valve Roller |
| 13 | 04777976AA | 16 | | | | ECC | | | ADJUSTER, Valve Lash |
| 14 | 06100997 | 1 | | | | ECC | | | PIN, Dowel |
| 15 | 05269547 | 1 | | | | ECC | | | CAM MAGNET, Target |
| 16 | 04884111AA | 1 | | | | ECC | | | SEAL, Camshaft Sensor |
| 17 | 06503688 | 1 | | | | ECC | | | BOLT, Hex Flange Head, M6x1.00x40 |

PT CRUISER (PT)

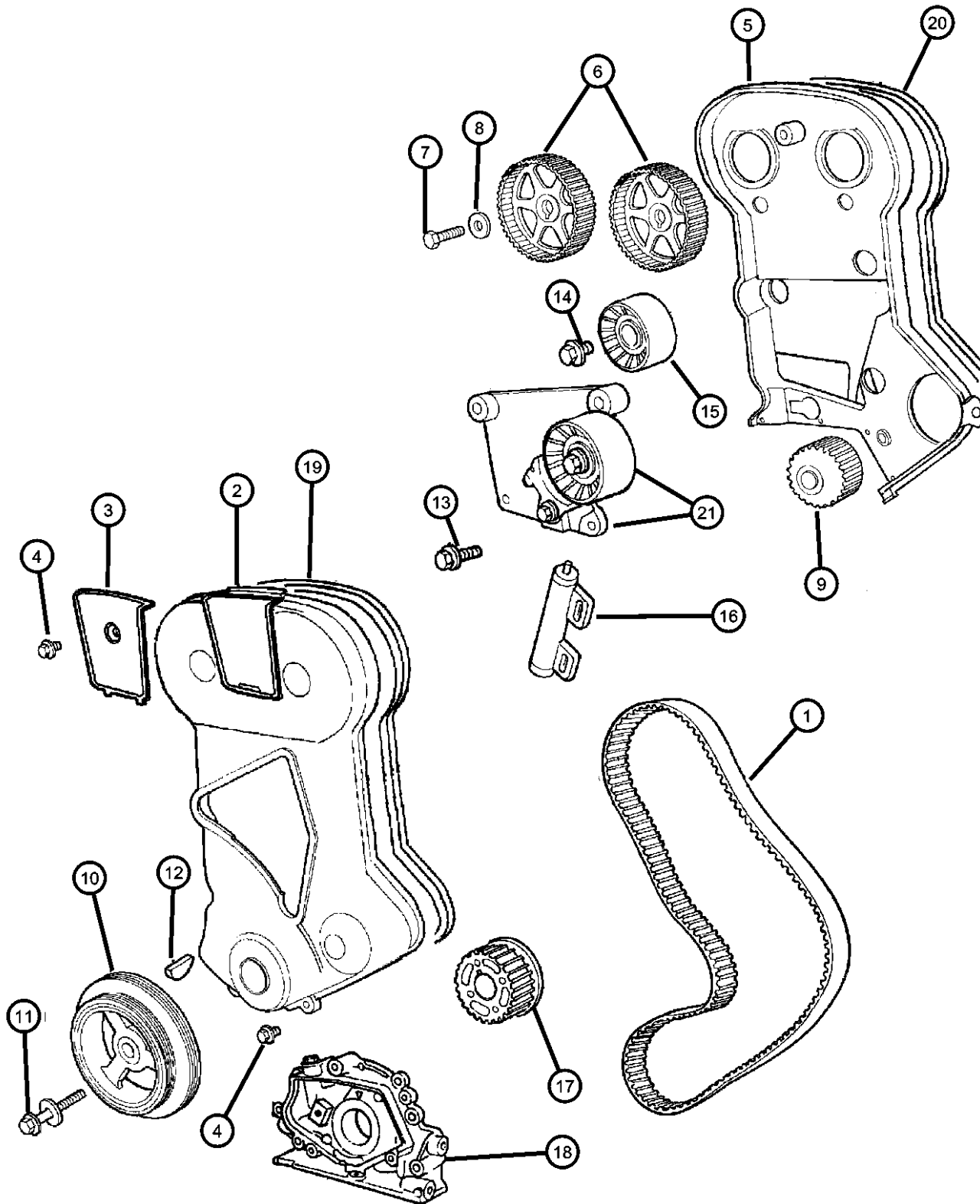
SERIES LINE
H = HIGHLINE Z = CHRYSLER (RHD)
C = CHRYSLER, LHD

BODY
44 = Four Door

ENGINE TRANSMISSION
ECC = ENGINE - 2.0L 4 CYL DOHC 16V SMPI
EDZ = ENGINE - 2.4L 4 CYL DOHC 16V SMPI
DGL = TRANSMISSION - 4-SPD. AUTOMATIC, 41TE
DD5 = TRANSMISSION - 5-SPEED MANUAL
DDO = All Manual Transmissions
DGO = All Automatics

AR = use ase required - = Non illustrated part

**Timing Belt and Cover 2.0L DOHC (ECC)
Figure 2.0L-612**



| ITEM | PART NUMBER | QTY | LINE | SERIES | BODY | ENGINE | TRANS | TRIM | DESCRIPTION |
|------|-------------|-----|------|--------|------|--------|-------|------|-------------|
|------|-------------|-----|------|--------|------|--------|-------|------|-------------|

NOTE: Sales code
[ECC]=2.0L DOHC Engine.

| | | | | | | | | | |
|----|------------|---|------|--|--|-----|--|--|--|
| 1 | 04667611 | 1 | | | | ECC | | | BELT, Timing |
| 2 | 04777463 | 1 | | | | ECC | | | COVER, Timing Belt |
| 3 | 04667610 | 1 | | | | ECC | | | COVER, Timing Belt Inspection |
| 4 | 06502926 | 7 | | | | ECC | | | BOLT, Hex Flange Head, M6x1.0x20 |
| 5 | 04777522AB | 1 | | | | ECC | | | COVER, Timing Belt |
| 6 | 04667609 | 2 | | | | ECC | | | GEAR, Camshaft |
| 7 | 06501405 | 2 | | | | ECC | | | BOLT, Hex Head, M12x1.50x52 |
| 8 | 06503438 | 2 | | | | ECC | | | WASHER, Flared, 13x35.00x4.70 |
| 9 | 04667660 | 1 | | | | ECC | | | PUMP, Water |
| 10 | 04777618AB | 1 | | | | ECC | | | DAMPER, Crankshaft |
| 11 | 06503553 | 1 | | | | ECC | | | BOLT, Hex Flange Head, M12x1.75x87.50 |
| 12 | 06035473 | 1 | | | | ECC | | | KEY, Crankshaft Sprocket |
| 13 | 06500584 | 1 | | | | ECC | | | SCREW AND WASHER, Hex Head, M8x1.25x30 |
| 14 | 06101939 | 2 | C, Z | | | ECC | | | SCREW AND WASHER, Hex Head, M6x1x30 |
| 15 | 04777394 | 1 | | | | ECC | | | PULLEY, Timing Belt |
| 16 | 04667283 | 1 | | | | ECC | | | TENSIONER, Belt |
| 17 | 04667604 | 1 | | | | ECC | | | GEAR, Crankshaft |
| 18 | 04667884 | 1 | | | | ECC | | | PUMP, Engine Oil |
| 19 | 04667340 | 1 | | | | ECC | | | SEAL, Timing Belt Cover |
| 20 | 04667340 | 1 | | | | ECC | | | SEAL, Timing Belt Cover |
| 21 | 04777393AB | 1 | | | | ECC | | | BRACKET, Tensioner |

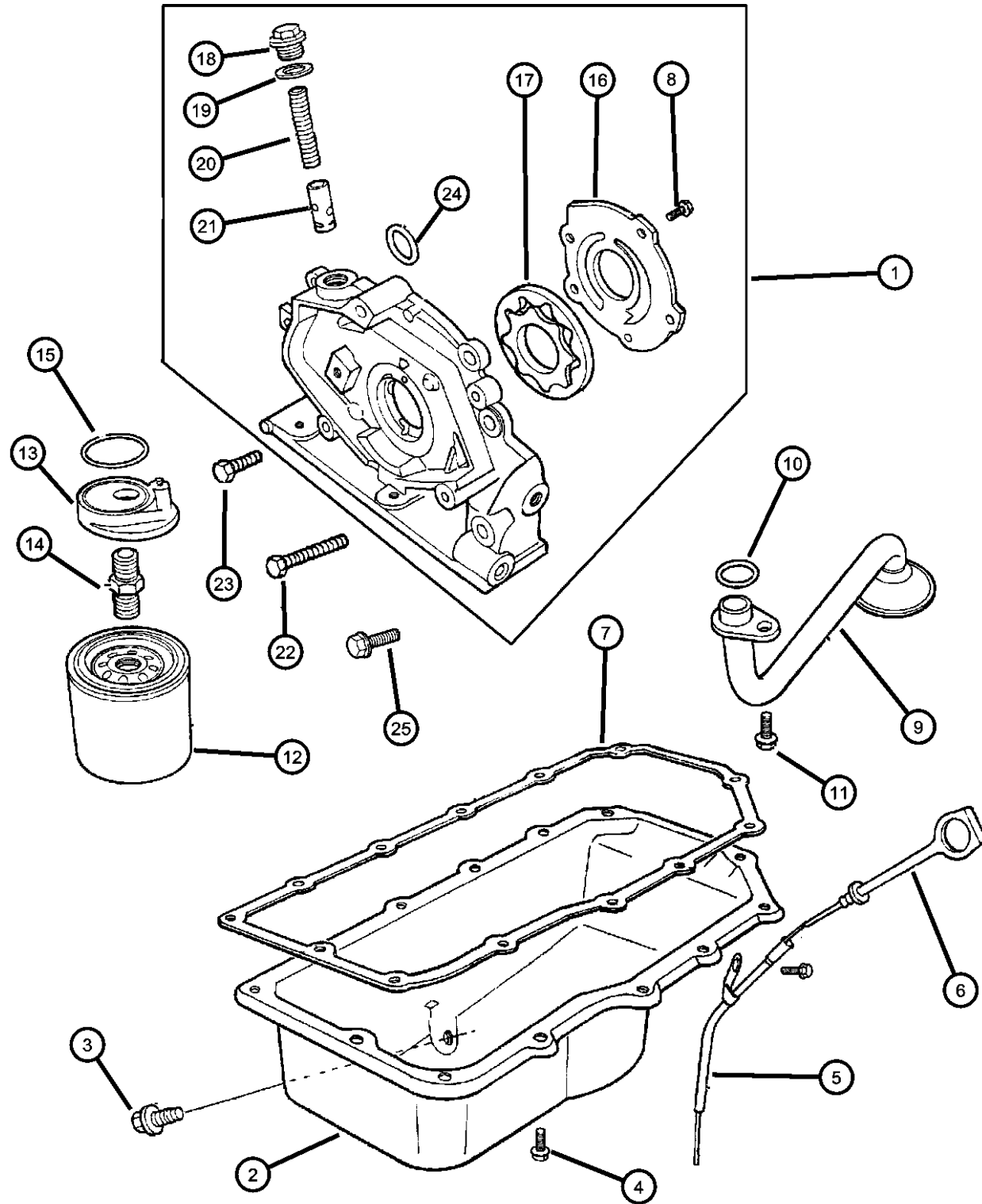
PT CRUISER (PT)

| | | | | |
|--------------|---|----------------|--|--|
| SERIES | LINE | BODY | ENGINE | TRANSMISSION |
| H = HIGHLINE | Z = CHRYSLER (RHD) C = CHRYSLER, LHD | 44 = Four Door | ECC = ENGINE - 2.0L 4 CYL DOHC 16V SMPI EDZ = ENGINE - 2.4L 4 CYL DOHC 16V SMPI | DGL = TRANSMISSION - 4-SPD. AUTOMATIC, 41TE DD5 = TRANSMISSION - 5-SPEED MANUAL DDO = All Manual Transmissions DGO = All Automatics |

AR = use ase required - = Non illustrated part

2001 PT

**Engine Oiling 2.0L DOHC (ECC)
Figure 2.0L-712**



NOTE: Sales Code
[ECC]=2.0L DOHC Engine

| ITEM | PART NUMBER | QTY | LINE | SERIES | BODY | ENGINE | TRANS | TRIM | DESCRIPTION |
|------|-------------|-----|------|--------|------|--------|-------|------|--|
| 1 | 04667884 | 1 | | | | ECC | | | PUMP, Engine Oil |
| 2 | 04777300AB | 1 | | | | ECC | | | PAN, Engine Oil |
| 3 | 06504018 | 1 | | | | ECC | | | PLUG, Oil Drain |
| 4 | 06101451 | 13 | | | | ECC | | | SCREW AND WASHER, Hex Head, M6x1x25 |
| 5 | 04777960AA | 1 | | | | ECC | | | TUBE, Engine Oil Indicator |
| 6 | 04777959AA | 1 | | | | ECC | | | INDICATOR, Engine Oil Level |
| 7 | 04556666 | 1 | | | | ECC | | | GASKET, Oil Pan |
| 8 | 06505388AA | 5 | | | | ECC | | | SCREW, Flange Head, M6x1x18 |
| 9 | 04777252 | 1 | | | | ECC | | | TUBE, Oil Pickup |
| 10 | 06032920 | 1 | | | | ECC | | | SEAL, Oil Pick Up Tube |
| 11 | 06500070 | 1 | | | | ECC | | | SCREW AND WASHER, Hex Head, M8x1.25x25 |
| 12 | 04105409 | 1 | | | | ECC | | | FILTER, Engine Oil |
| 13 | 04667386 | 1 | | | | ECC | | | ADAPTER, Oil Filter |
| 14 | 04667301 | 1 | | | | ECC | | | CONNECTOR, Oil Filter Adapter |
| 15 | 04777425 | 1 | | | | ECC | | | O RING, Oil Filter Adapter |
| 16 | 04556669 | 1 | | | | ECC | | | COVER, Oil Pump Back |
| 17 | 04761538 | 1 | | | | ECC | | | ROTOR SET, Oil Pump |
| 18 | 00618621 | 1 | | | | ECC | | | CAP, Oil Pressure Relief Valve |
| 19 | 04777062 | 1 | | | | ECC | | | GASKET, Oil Pump Relief Valve |
| 20 | 01737744 | 1 | | | | ECC | | | SPRING, Oil Pressure Relief Valve |
| 21 | 02843208 | 1 | | | | ECC | | | PLUNGER, Oil Pressure Relief Valve |
| 22 | 06503257 | 1 | | | | ECC | | | BOLT, Hex Head, M8x1.25x37.50 |
| 23 | 06503256 | 1 | | | | ECC | | | BOLT, Hex Flange Head, M6x1.0x40 |
| 24 | 04483444AB | 1 | | | | ECC | | | O RING, Front Cover Oil Inlet |
| 25 | 06100296 | 2 | | | | ECC | | | BOLT, Hex Head |

PT CRUISER (PT)

SERIES LINE
H = HIGHLINE Z = CHRYSLER (RHD)
 C = CHRYSLER, LHD

BODY
44 = Four Door

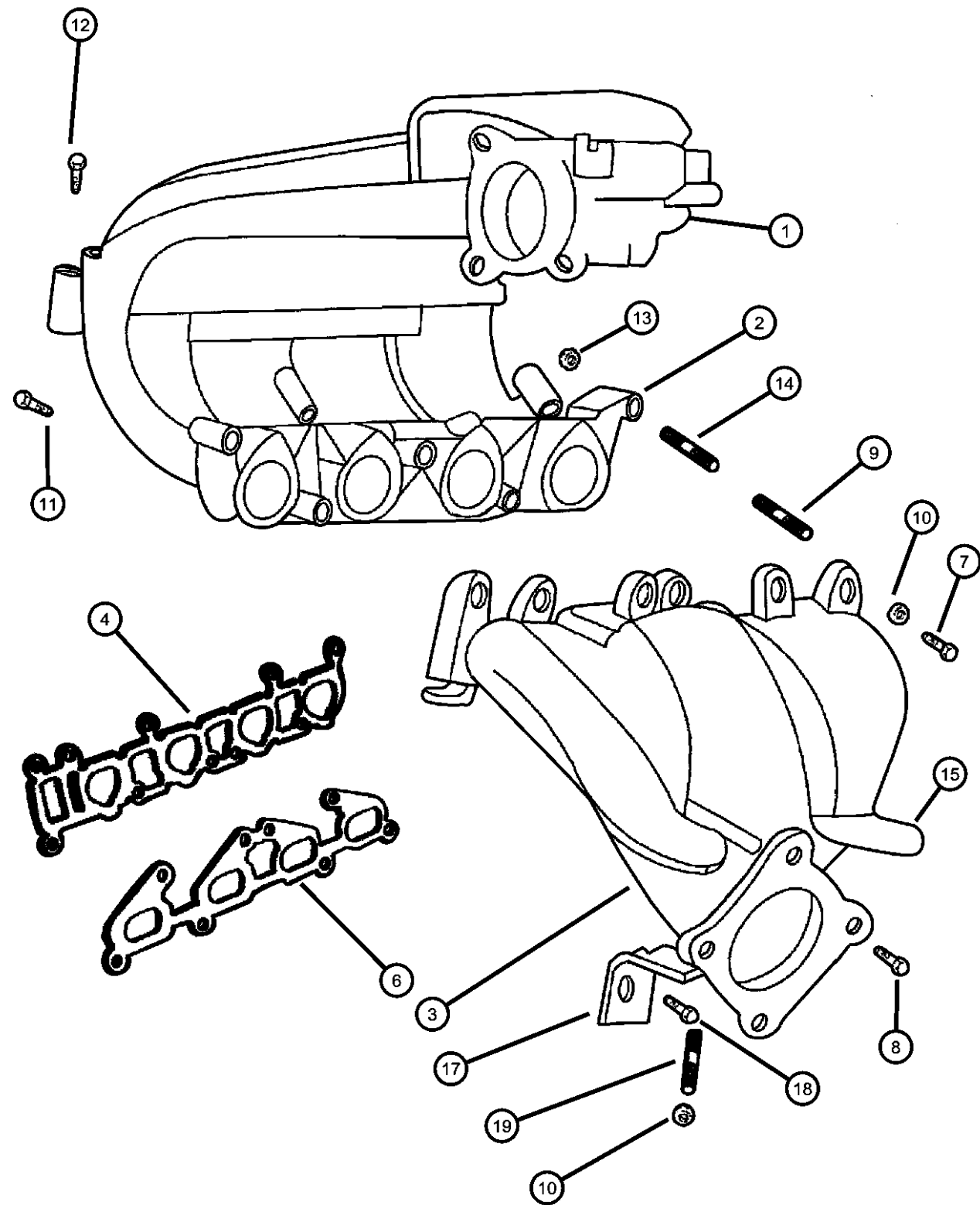
ENGINE
ECC = ENGINE - 2.0L 4 CYL DOHC 16V SMPI
EDZ = ENGINE - 2.4L 4 CYL DOHC 16V SMPI

TRANSMISSION
DGL = TRANSMISSION - 4-SPD. AUTOMATIC, 41TE
DD5 = TRANSMISSION - 5-SPEED MANUAL
DDO = All Manual Transmissions
DGO = All Automatics

AR = use ase required - = Non illustrated part

2001 PT

**Manifolds 2.0L DOHC (ECC)
Figure 2.0L-812**



| ITEM | PART NUMBER | QTY | LINE | SERIES | BODY | ENGINE | TRANS | TRIM | DESCRIPTION |
|---|-------------|-----|------|--------|------|----------|-------|------|--|
| NOTE: Sales Code [ECC]=2.0L DOHC Engine. | | | | | | | | | |
| 1 | 04777866AC | 1 | | | | ECC | | | MANIFOLD, Intake, Upper |
| 2 | 04777871AB | 1 | | | | ECC | | | INTAKE MANIFOLD, LowerLower |
| 3 | 04884232AA | 1 | | | | ECC | | | MANIFOLD, Exhaust |
| 4 | 04777873AB | 4 | | | | ECC | | | GASKET, Intake Manifold, Lower Intake Manifold To Cylinder Head |
| -5 | 04777868AB | 4 | | | | ECC | | | GASKET, Intake Manifold, Upper Intake Plenum Manifold To Lower Intake Manifold |
| 6 | 04781255AA | 1 | | | | ECC | | | GASKET, Exhaust Manifold |
| 7 | 06503131 | 8 | | | | ECC | | | BOLT, Hex Flange Head, M8x1.25x30 |
| 8 | 06503767 | 3 | | | | ECC | | | BOLT, Hex Head, M8x1.25x35 |
| 9 | 06504170 | 2 | | | | ECC | | | STUD, M8x1.25x44.80 |
| 10 | 06500363 | 2 | | | | ECC | | | NUT, Hex Flange Lock, M8x1.25 |
| 11 | 06505558AA | 3 | | | | ECC | | | SCREW |
| 12 | 06505557AA | 5 | | | | ECC | | | SCREW |
| 13 | 06505802AA | 2 | | | | ECC | | | NUT, Lock |
| 14 | 06506452AA | 3 | | | | ECC | | | STUD |
| 15 | | | | | | | | | SHIELD, Exhaust Manifold |
| | 04777483 | 1 | | | | ECC | | | Upper |
| | 04777484 | 1 | | | | ECC | | | Lower |
| -16 | 06504171 | 3 | | | | ECC | | | SCREW, Hex Flange Head, M8x1.25x32 |
| 17 | 04884126AA | 1 | | | | ECC | | | STRUT, Exhaust Manifold |
| 18 | 06101663 | 1 | | | | ECC | | | BOLT AND WASHER, Hex Head, M10x1.50x22 |
| 19 | 06506423AA | 1 | | | | ECC | | | STUD |
| -20 | 04891435AD | 1 | | | | ECC, EDZ | | | COVER, Intake Manifold |

PT CRUISER (PT)

| | | | | |
|--------------|---|----------------|--|--|
| SERIES | LINE | BODY | ENGINE | TRANSMISSION |
| H = HIGHLINE | Z = CHRYSLER (RHD) C = CHRYSLER, LHD | 44 = Four Door | ECC = ENGINE - 2.0L 4 CYL DOHC 16V SMPI EDZ = ENGINE - 2.4L 4 CYL DOHC 16V SMPI | DGL = TRANSMISSION - 4-SPD. AUTOMATIC, 41TE DD5 = TRANSMISSION - 5-SPEED MANUAL DDO = All Manual Transmissions DGO = All Automatics |

AR = use ase required - = Non illustrated part

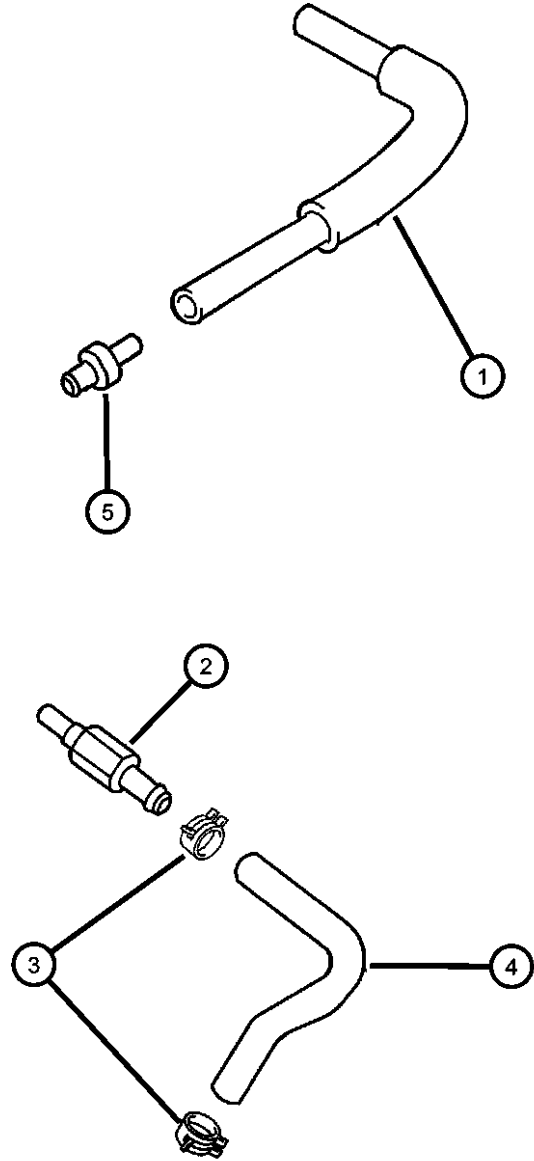
2001 PT

**Crankcase Ventilation 2.0L DOHC (ECC)
Figure 2.0L-912**

| ITEM | PART NUMBER | QTY | LINE | SERIES | BODY | ENGINE | TRANS | TRIM | DESCRIPTION |
|------|-------------|-----|------|--------|------|--------|-------|------|-------------|
|------|-------------|-----|------|--------|------|--------|-------|------|-------------|

NOTE: Sales Code
[ECC]=2.0L 4 Cyl DOHC 16V
[EDZ]=2.4L 4 Cyl DOHC 16V

| | | | | | | | | | |
|---|------------|---|--|--|--|----------|--|--|---|
| 1 | 04777971AA | 1 | | | | ECC, EDZ | | | HOSE, Make Up Air |
| 2 | 04777240AC | 1 | | | | ECC | | | VALVE, PCV Up to and Including 7-24-00 |
| | 04777240AD | 1 | | | | EDZ | | | After 7-24-00 |
| 3 | 06502017 | 4 | | | | ECC | | | CLAMP, Heater Hose |
| 4 | 04777957AA | 1 | | | | ECC | | | HOSE, Polution Control Valve |
| 5 | 04884040AA | 1 | | | | ECC | | | RESTRICTOR, PCV |



PT CRUISER (PT)

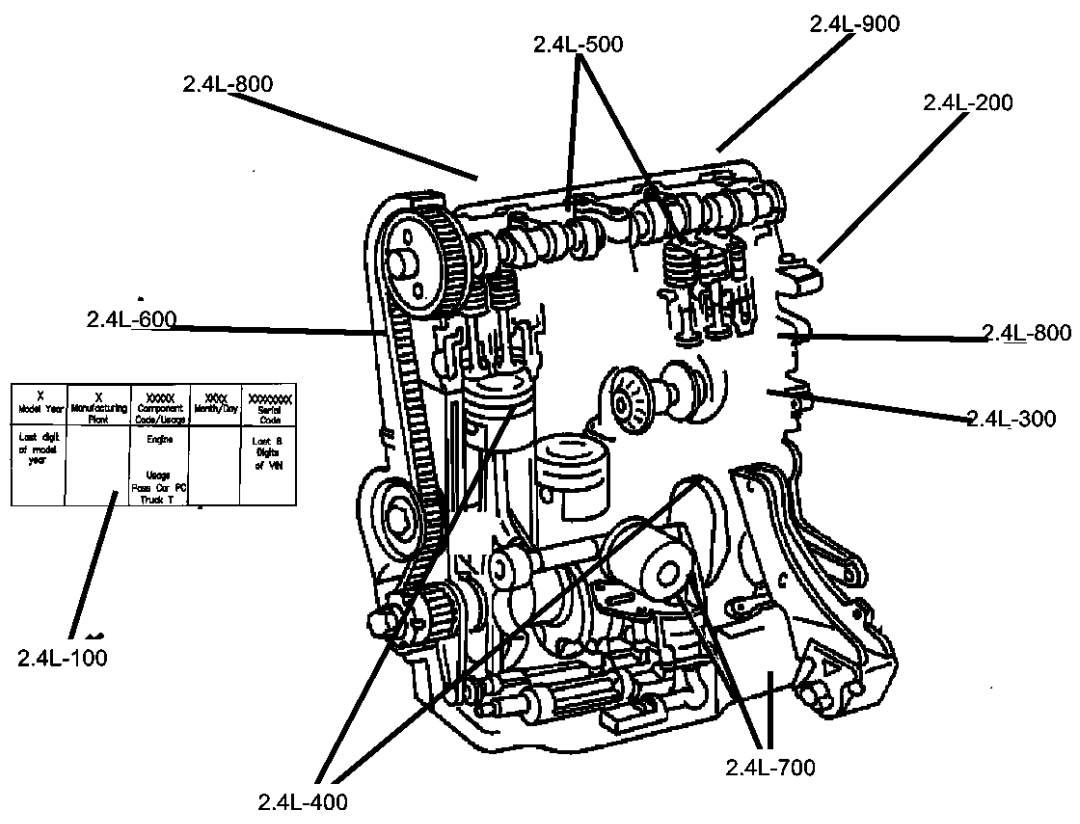
| | | | | |
|--------------|---|----------------|--|--|
| SERIES | LINE | BODY | ENGINE | TRANSMISSION |
| H = HIGHLINE | Z = CHRYSLER (RHD) C = CHRYSLER, LHD | 44 = Four Door | ECC = ENGINE - 2.0L 4 CYL DOHC 16V SMPI EDZ = ENGINE - 2.4L 4 CYL DOHC 16V SMPI | DGL = TRANSMISSION - 4-SPD. AUTOMATIC, 41TE DD5 = TRANSMISSION - 5-SPEED MANUAL DDO = All Manual Transmissions DGO = All Automatics |

AR = use ase required - = Non illustrated part

2001 PT

Group - 2.4L

Engine 2.4L Four Cylinder



| X Model Year | X Manufacturing Plant | XXXXX Component Code/Usage | XXXX Month/Day | XXXXXXXXXX Serial Code |
|--------------------------|--------------------------|---|-------------------|---------------------------|
| Last digit of model year | | Engine Usage Pass Car PC Truck T | | Last 8 Digits of VIN |

2.4L-100
Engine Identification

| X Model Year | X Manufacturing Plant | XXXXX Component Code/Usage | XXXX Month/Day | XXXXXXXXXX Serial Code |
|--------------------------|-----------------------------------|--|-------------------|---------------------------|
| Last digit of model year | Sattilo S Trenton T Tokyo K | Engine 3.2L - 3.5L Usage Pass Car PC Truck T | | Last 8 Digits of VIN |

2.4L-200
Cylinder Head

2.4L-300
Cylinder Block

2.4L-400
Crankshaft, Piston, and Drive Plate

2.4L-500
Camshafts and Valves

2.4L-600
Timing Belt and Cover

2.4L-700
Engine Oiling

2.4L-800
Manifolds

2.4L-900
Crankcase Ventilation

Group - 2.4L Engine 2.4L Four Cylinder

| Illustration Title | Group-Fig. No. |
|---|-----------------|
| Engine Identification | |
| I.D. Location 2.4L 4 Cyl DOHC 16V (MPI, EDZ)..... | Fig. 2.4L - 121 |
| Cylinder Head | |
| Cylinder Head 2.4L Cyl DOHC 16V (MPI, EDZ)..... | Fig. 2.4L - 221 |
| Cylinder Block | |
| Cylinder Block 2.4L 4 Cyl DOHC 16V (MPI, EDZ)..... | Fig. 2.4L - 321 |
| Crankshaft, Piston, and Drive Plate | |
| Crankshaft, Piston and Torque Converter 2.4L Cyl DOHC 16V (MPI, EDZ)..... | Fig. 2.4L - 421 |
| Camshafts and Valves | |
| Camshaft and Valves 2.4L 4 Cyl DOHC 16V (MPI, EDZ)..... | Fig. 2.4L - 521 |
| Timing Belt and Cover | |
| Timing Belt and Cover 2.4L 4 Cyl DOHC 16V (MPI, EDZ)..... | Fig. 2.4L - 621 |
| Balance Shafts 2.4L 4 Cyl DOHC 16V (MPI, EDZ)..... | Fig. 2.4L - 625 |
| Engine Oiling | |
| Engine Oiling 2.4L 4 Cyl DOHC 16V (MPI, EDZ)..... | Fig. 2.4L - 721 |
| Manifolds | |
| Intake and Exhaust Manifolds..... | Fig. 2.4L - 811 |
| Crankcase Ventilation | |
| Crankcase Ventilation 2.4L 4 Cyl DOHC 16V (MPI, EDZ) | Fig. 2.4L - 921 |

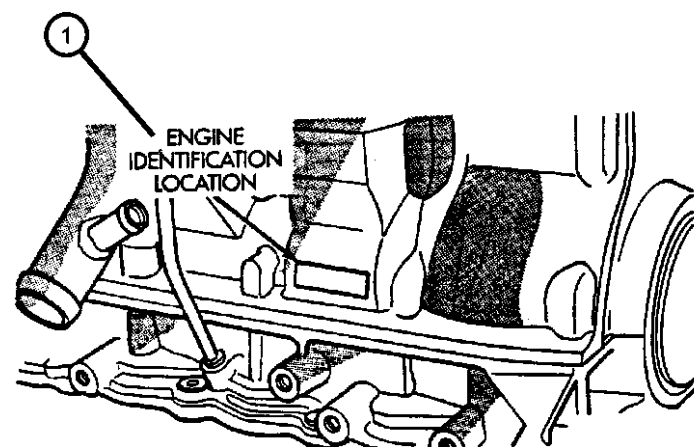
I.D. Location 2.4L 4 Cyl DOHC 16V (MPI, EDZ)
Figure 2.4L-121

| ITEM | PART NUMBER | QTY | LINE | SERIES | BODY | ENGINE | TRANS | TRIM | DESCRIPTION |
|------|-------------|-----|------|--------|------|--------|-------|------|-------------|
|------|-------------|-----|------|--------|------|--------|-------|------|-------------|

NOTE: Sales Code
[EDZ]=2.4L Engine.

| | | | | | | | | | |
|---|------------|---|--|--|--|--|--|--|--|
| 1 | 04884040AA | 1 | | | | | | | |
|---|------------|---|--|--|--|--|--|--|--|

LABEL, Engine Identification, (NOT SERVICED)



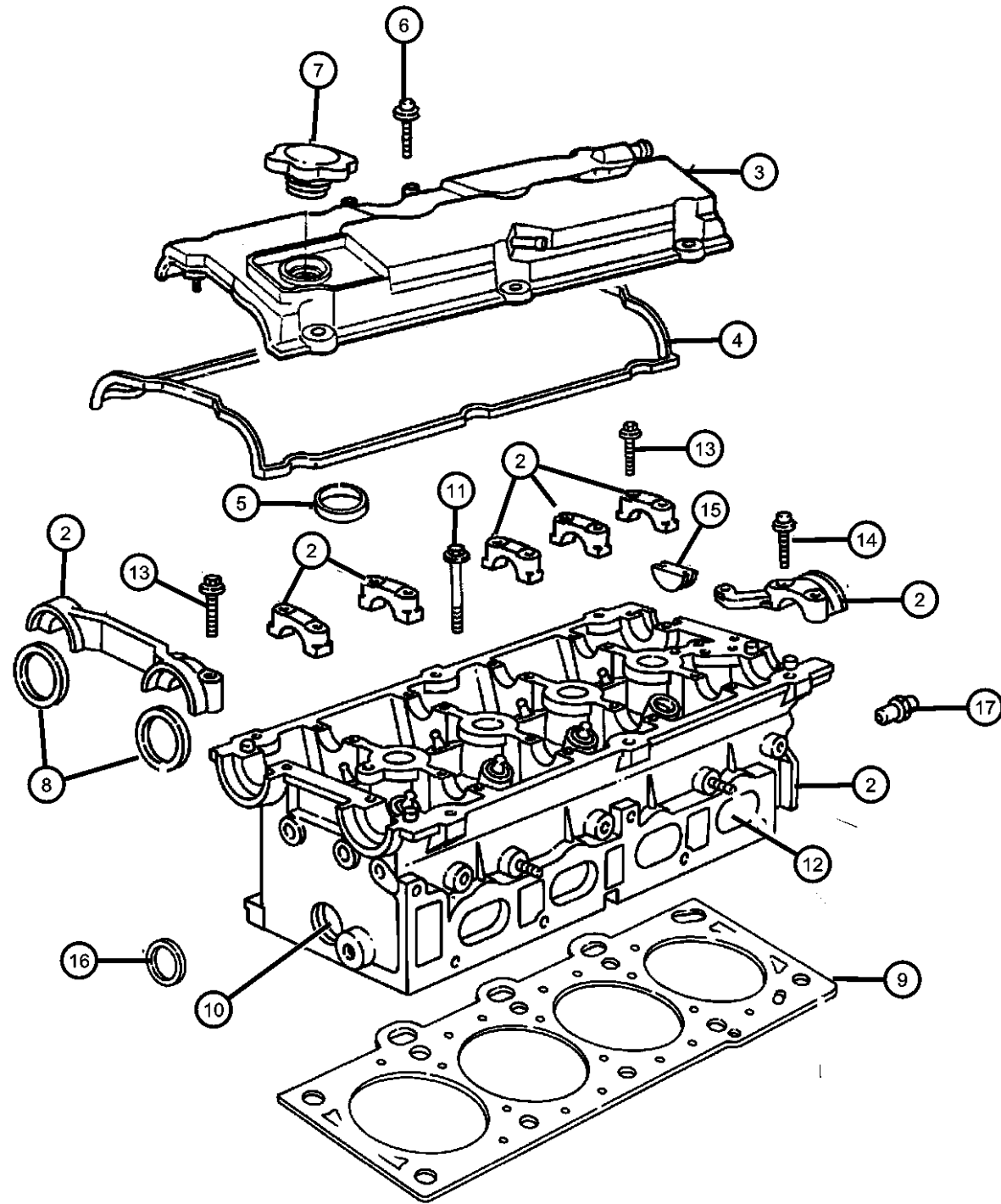
PT CRUISER (PT)

| | | | | |
|--------------|---|----------------|--|--|
| SERIES | LINE | BODY | ENGINE | TRANSMISSION |
| H = HIGHLINE | Z = CHRYSLER (RHD) C = CHRYSLER, LHD | 44 = Four Door | ECC = ENGINE - 2.0L 4 CYL DOHC 16V SMPI EDZ = ENGINE - 2.4L 4 CYL DOHC 16V SMPI | DGL = TRANSMISSION - 4-SPD. AUTOMATIC, 41TE DD5 = TRANSMISSION - 5-SPEED MANUAL DDO = All Manual Transmissions DGO = All Automatics |

AR = use ase required - = Non illustrated part

2001 PT

**Cylinder Head 2.4L Cyl DOHC 16V (MPI, EDZ)
Figure 2.4L-221**



| ITEM | PART NUMBER | QTY | LINE | SERIES | BODY | ENGINE | TRANS | TRIM | DESCRIPTION |
|-------------------------------------|------------------------|-----|------|--------|------|--------|-------|------|--|
| NOTE: Sales Code [EDZ]=2.4L Engine. | | | | | | | | | |
| -1 | 05114406AA | 1 | | | | EDZ | | | GASKET PACKAGE, Engine Upper |
| 2 | 04667088AB R5424611 | 1 | | | | EDZ | | | HEAD, Cylinder Mopar Remanufactured Part |
| 3 | 04777473 | 1 | | | | EDZ | | | COVER, Cylinder Head |
| 4 | 04777478 | 1 | | | | EDZ | | | GASKET, Valve Cover |
| 5 | 04777477 | 4 | | | | EDZ | | | GASKET, Spark Plug Well |
| 6 | 04777997AA | 9 | | | | EDZ | | | ISOLATOR, Cylinder Head Cover, Grommet And Bolt |
| 7 | 04777536 | 1 | | | | EDZ | | | CAP, Oil Filler |
| 8 | 04777086 | 2 | | | | EDZ | | | SEAL, Camshaft |
| 9 | 04781150AC | 1 | | | | EDZ | | | GASKET, Cylinder Head |
| 10 | 04556020 | 2 | | | | EDZ | | | PLUG, Core, 1.25 Diameter |
| 11 | 06504033 | 10 | | | | EDZ | | | BOLT, Cylinder Head |
| 12 | 06504170 | 2 | | | | EDZ | | | STUD, M8x1.25x44.80 |
| 13 | 06100918 | 18 | | | | EDZ | | | BOLT, Hex Flange Head, M6x1.00x35 |
| 14 | 06101527 | 6 | | | | EDZ | | | SCREW, Hex Flange Head, M8x1.25x40 |
| 15 | 04667731 | 1 | | | | EDZ | | | PLUG, Camshaft |
| 16 | 04556020 | 2 | | | | EDZ | | | PLUG, Core, 1.25 Diameter |
| 17 | 04556020 | 2 | | | | EDZ | | | RESTRICTOR, Cylinder Head Oil, Part of Head Gasket, (NOT SERVICED) |

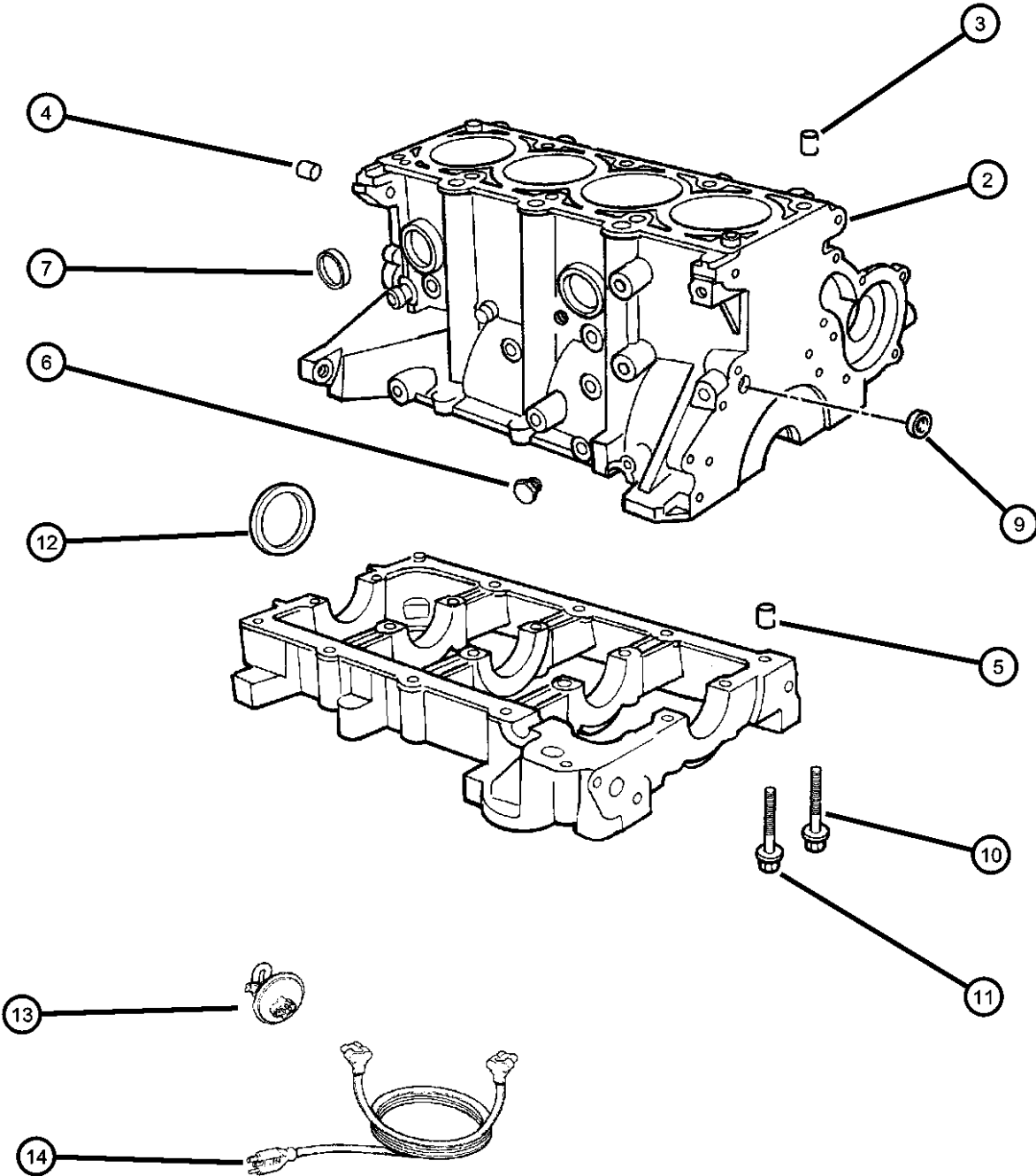
PT CRUISER (PT)

| | | | | |
|--------------|---|----------------|--|--|
| SERIES | LINE | BODY | ENGINE | TRANSMISSION |
| H = HIGHLINE | Z = CHRYSLER (RHD) C = CHRYSLER, LHD | 44 = Four Door | ECC = ENGINE - 2.0L 4 CYL DOHC 16V SMPI EDZ = ENGINE - 2.4L 4 CYL DOHC 16V SMPI | DGL = TRANSMISSION - 4-SPD. AUTOMATIC, 41TE DD5 = TRANSMISSION - 5-SPEED MANUAL DDO = All Manual Transmissions DGO = All Automatics |

AR = use ase required - = Non illustrated part

**Cylinder Block 2.4L 4 Cyl DOHC 16V (MPI, EDZ)
Figure 2.4L-321**

| ITEM | PART NUMBER | QTY | LINE | SERIES | BODY | ENGINE | TRANS | TRIM | DESCRIPTION |
|--|-------------|-----|------|--------|------|--------|-------|------|--|
| NOTE: Sales Code [EDZ]=2.4L Engine. | | | | | | | | | |
| -1 | 05017828AA | 1 | | | | EDZ | | | GASKET PACKAGE, Engine Lower |
| 2 | 05017908AA | 1 | | | | EDZ | | | BLOCK, Short, Contains: Block, Bed Plate, Crank, Rods, Pistons, Rings, Balance Shafts, Oil Pump, Oil Pan |
| | R3424811AA | | | | | | | | Mopar Remanufactured Long Block w/ Head(s) |
| | 04761845AC | | | | | | | | Mopar 10W30 Engine Oil Gallon |
| 3 | 04448856 | 2 | | | | EDZ | | | DOWEL, Block To Cylinder Head |
| 4 | 05240849 | 2 | | | | EDZ | | | DOWEL, Block To Clutch Housing |
| 5 | 04694106 | 2 | | | | EDZ | | | DOWEL, Engine Block To Bedplate |
| 6 | 04694106 | 2 | | | | | | | PLUG, Pipe, [.250-18x.560], (NOT SERVICED) |
| 7 | 04556020 | 2 | | | | EDZ | | | PLUG, Core, 1.25 Diameter |
| -8 | 06034804 | 4 | | | | EDZ | | | PLUG, Core, 1.39 Diameter |
| 9 | 04556018 | 1 | | | | EDZ | | | PLUG, Cylinder Block Oil Hole |
| 10 | 06503387 | 10 | | | | EDZ | | | BOLT, Main Bearing Cap |
| 11 | 06504257 | 10 | | | | EDZ | | | BOLT, Hex Head, M8x1.25x70 |
| 12 | 04621939AB | 1 | | | | EDZ | | | SEAL, Rear Main Crankshaft |
| 13 | 05033157AA | 1 | | | | EDZ | | | HEATER, Engine Block |
| 14 | 04794324AA | 1 | | | | EDZ | | | CORD, Engine Block Heater |
| -15 | 06036020AA | 6 | | | | EDZ | | | PLUG, Pipe |



PT CRUISER (PT)

| SERIES | LINE | BODY | ENGINE | TRANSMISSION |
|--------------|---|----------------|--|--|
| H = HIGHLINE | Z = CHRYSLER (RHD) C = CHRYSLER, LHD | 44 = Four Door | ECC = ENGINE - 2.0L 4 CYL DOHC 16V SMPI EDZ = ENGINE - 2.4L 4 CYL DOHC 16V SMPI | DGL = TRANSMISSION - 4-SPD. AUTOMATIC, 41TE DD5 = TRANSMISSION - 5-SPEED MANUAL DDO = All Manual Transmissions DGO = All Automatics |

AR = use ase required - = Non illustrated part

2001 PT

**Crankshaft, Piston and Torque Converter 2.4L Cyl DOHC 16V (MPI, EDZ)
Figure 2.4L-421**

| ITEM | PART NUMBER | QTY | LINE | SERIES | BODY | ENGINE | TRANS | TRIM | DESCRIPTION |
|--|--------------------------|-----|------|--------|------|--------|-------|------|---|
| NOTE: Sales Codes [DD5]=5 Speed Manual Trans [DGL]=4 Speed Automatic Trans. [EDZ]=2.4L Engine | | | | | | | | | |
| 1 | 04621917 | 1 | | | | EDZ | | | CRANKSHAFT |
| 2 | 05012588AA | AR | | | | EDZ | | | BEARING KIT, Connecting Rod, Standard |
| 3 | 05012585AA | 1 | | | | EDZ | | | BEARING PACKAGE, Crankshaft Thrust, STD. |
| 4 | 05012582AA | AR | | | | EDZ | | | BEARING KIT, Crankshaft, Standard |
| 5 | | | | | | | | | PISTON PIN AND ROD |
| | 05017799AA | 4 | | | | EDZ | | | With 1.25mm upper compression ring groove |
| | 05066565AA | 4 | | | | EDZ | | | With 1.55mm upper compression ring groove |
| 6 | | | | | | | | | PISTON RING SET, COMPLETE ENGINE, STD. |
| | 04773005 | 1 | | | | EDZ | | | Use with 1.55mm upper compression ring groove |
| | 04897024AA | 1 | | | | EDZ | | | Use with 1.25mm upper compression ring groove |
| 7 | 06035473 | 1 | | | | EDZ | | | KEY, Crankshaft Sprocket |
| 8 | 04621939AB | 1 | | | | EDZ | | | SEAL, Rear Main Crankshaft |
| 9 | 06503465 | 8 | | | | | DD5 | | BOLT, Drive Plate and Flywheel |
| 10 | | | | | | | | | BOLT, Hex Head, M10x1.50 x 13.20 |
| | 06501099 | 4 | | | | | DD5 | | |
| | | 4 | | | | | DGL | | |
| 11 | | | | | | | | | PLATE, Drive Plate |
| | 04567143 | 1 | | | | | DD5 | | |
| | | 1 | | | | | DGL | | |
| 12 | 04778031AB R4778031AB | 1 | | | | EDZ | DGL | | CONVERTER PACKAGE, Torque Mopar Remanufactured Part |
| 13 | | | | | | | | | PLATE, Drive Plate Backing |
| | 04471933 | 1 | | | | | DD5 | | |
| | | 1 | | | | | DGL | | |
| 14 | 06503116 | 8 | | | | EDZ | | | BOLT, Connecting Rod |

PT CRUISER (PT)

SERIES

H = HIGHLINE

LINE

Z = CHRYSLER (RHD)

C = CHRYSLER, LHD

BODY

44 = Four Door

ENGINE

ECC = ENGINE - 2.0L 4 CYL

DOHC 16V SMPI

EDZ = ENGINE - 2.4L 4 CYL

DOHC 16V SMPI

TRANSMISSION

DGL = TRANSMISSION - 4-SPD. AUTOMATIC, 41TE

DD5 = TRANSMISSION - 5-SPEED MANUAL

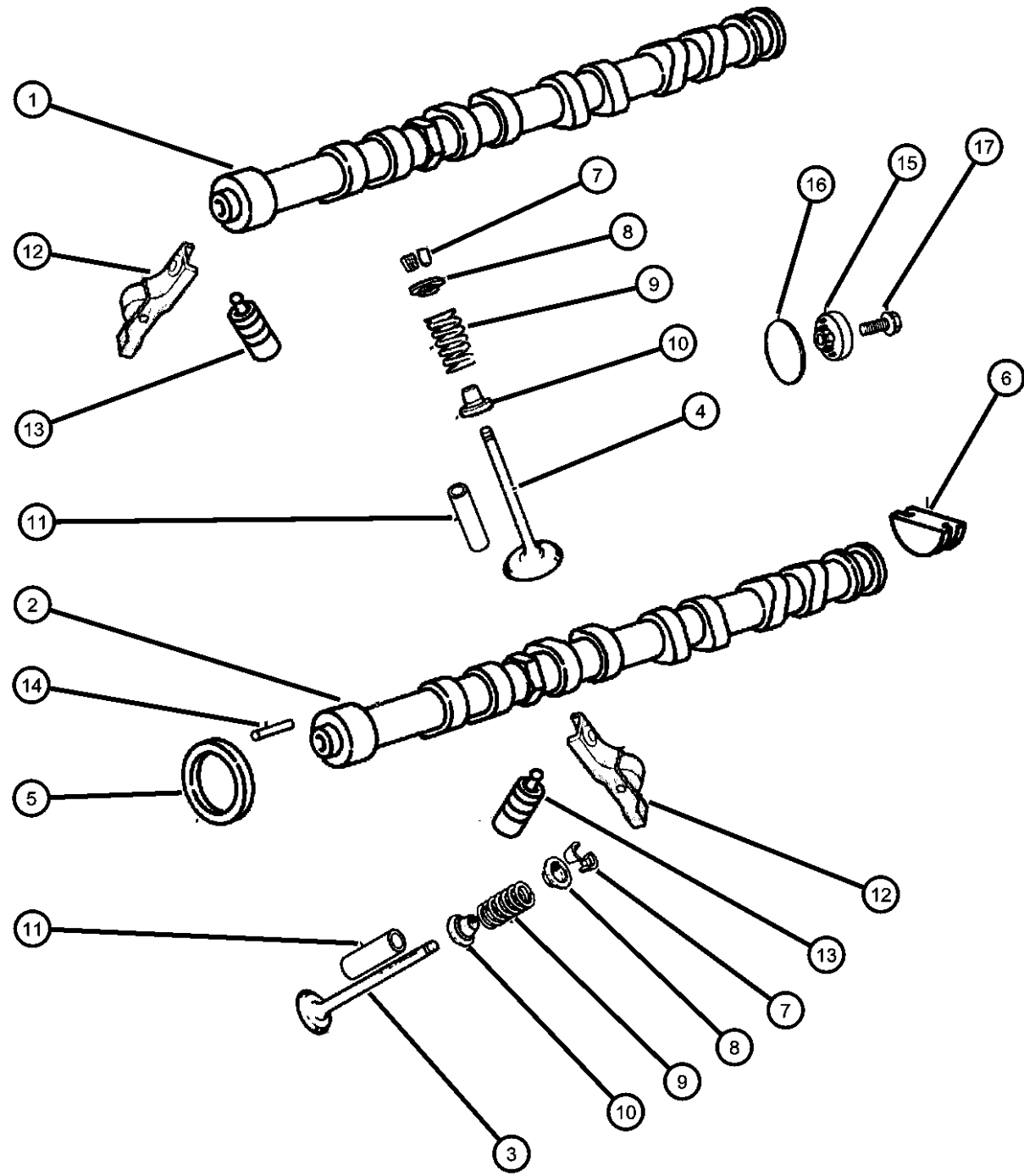
DDO = All Manual Transmissions

DGO = All Automatics

AR = use ase required - = Non illustrated part

2001 PT

**Camshaft and Valves 2.4L 4 Cyl DOHC 16V (MPI, EDZ)
Figure 2.4L-521**



NOTE: Sales Code
[EDZ]=2.4L Engine.

| ITEM | PART NUMBER | QTY | LINE | SERIES | BODY | ENGINE | TRANS | TRIM | DESCRIPTION |
|------|-------------|-----|------|--------|------|--------|-------|------|---|
| 1 | 04694680AA | 1 | | | | EDZ | | | CAMSHAFT, Intake |
| 2 | 04781271AA | 1 | | | | EDZ | | | CAMSHAFT, Exhaust |
| 3 | 04777898AA | 8 | | | | EDZ | | | VALVE, Exhaust, Standard |
| 4 | 04667969AB | 8 | | | | EDZ | | | VALVE, Intake, Standard, Triple Bead Lock |
| 5 | 04777086 | 2 | | | | EDZ | | | SEAL, Camshaft |
| 6 | 04667731 | 1 | | | | EDZ | | | PLUG, Camshaft |
| 7 | 04777050AB | 32 | | | | EDZ | | | LOCK, Valve Spring Retainer, Triple Bead Lock |
| 8 | 04648682AB | 16 | | | | EDZ | | | RETAINER, Valve Spring, Triple Bead Lock |
| 9 | 04621530 | 16 | | | | EDZ | | | SPRING, Valve |
| 10 | 04648619 | 16 | | | | EDZ | | | SEAL, Valve Guide |
| 11 | 04667411 | 1 | | | | EDZ | | | GUIDE, Intake/Exhaust Valve, 7mm Oversize |
| 12 | 04884042AA | 16 | | | | EDZ | | | ROCKER ARM, Valve Roller |
| 13 | 04777976AA | 16 | | | | EDZ | | | ADJUSTER, Valve Lash |
| 14 | 06100997 | 1 | | | | EDZ | | | PIN, Dowel |
| 15 | 05269547 | 1 | | | | EDZ | | | CAM MAGNET, Target |
| 16 | 04884111AA | 1 | | | | EDZ | | | SEAL, Camshaft Sensor |
| 17 | 06503688 | 1 | | | | EDZ | | | BOLT, Hex Flange Head, M6x1.00x40 |

PT CRUISER (PT)

SERIES LINE
H = HIGHLINE Z = CHRYSLER (RHD)
C = CHRYSLER, LHD

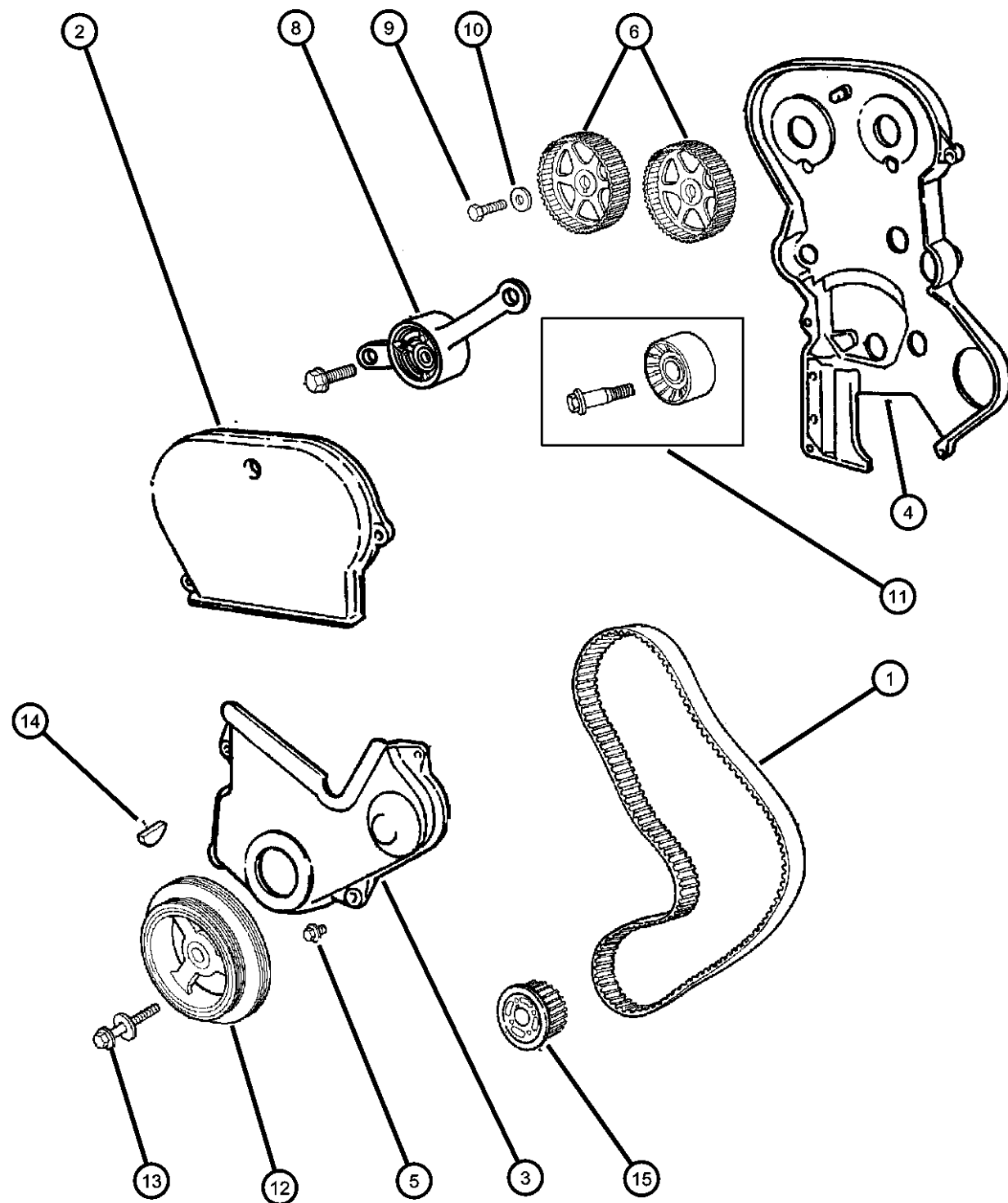
BODY
44 = Four Door

ENGINE TRANSMISSION
ECC = ENGINE - 2.0L 4 CYL DOHC 16V SMPI
EDZ = ENGINE - 2.4L 4 CYL DOHC 16V SMPI
DGL = TRANSMISSION - 4-SPD. AUTOMATIC, 41TE
DD5 = TRANSMISSION - 5-SPEED MANUAL
DDO = All Manual Transmissions
DGO = All Automatics

AR = use ase required - = Non illustrated part

2001 PT

**Timing Belt and Cover 2.4L 4 Cyl DOHC 16V (MPI, EDZ)
Figure 2.4L-621**



| ITEM | PART NUMBER | QTY | LINE | SERIES | BODY | ENGINE | TRANS | TRIM | DESCRIPTION |
|-------------------------------------|-------------|-----|------|--------|------|--------|-------|------|---------------------------------------|
| NOTE: Sales Code [EDZ]=2.4L Engine. | | | | | | | | | |
| 1 | 04621844 | 1 | | | | EDZ | | | BELT, Timing |
| | TB000265 | | | | | | | | Mopar V-Line Alternative Part |
| 2 | 04777932AA | 1 | | | | EDZ | | | COVER, Timing Belt |
| 3 | 04777933AA | 1 | | | | EDZ | | | COVER, Timing Belt |
| 4 | 04694318AB | 1 | | | | EDZ | | | COVER, Timing Belt |
| 5 | | | | | | | | | SCREW |
| | 06101221 | 2 | | | | EDZ | | | |
| | | 4 | | | | EDZ | | | |
| 6 | 04667609 | 2 | | | | EDZ | | | GEAR, Camshaft |
| -7 | 06100997 | 1 | | | | EDZ | | | PIN, Dowel |
| 8 | 05010371AA | 1 | | | | EDZ | | | TENSIONER PACKAGE, Belt |
| 9 | 06501405 | 2 | | | | EDZ | | | BOLT, Hex Head, M12x1.50x52 |
| 10 | 06503438 | 2 | | | | EDZ | | | WASHER, Flared, 13x35.00x4.70 |
| 11 | 05010372AA | 1 | | | | EDZ | | | PULLEY PACKAGE, Idler |
| 12 | 04777618AB | 1 | | | | EDZ | | | DAMPER, Crankshaft |
| 13 | 06503553 | 1 | | | | EDZ | | | BOLT, Hex Flange Head, M12x1.75x87.50 |
| 14 | 06035473 | 1 | | | | EDZ | | | KEY, Crankshaft Sprocket |
| 15 | 04621918 | 1 | | | | EDZ | | | GEAR, Crankshaft |

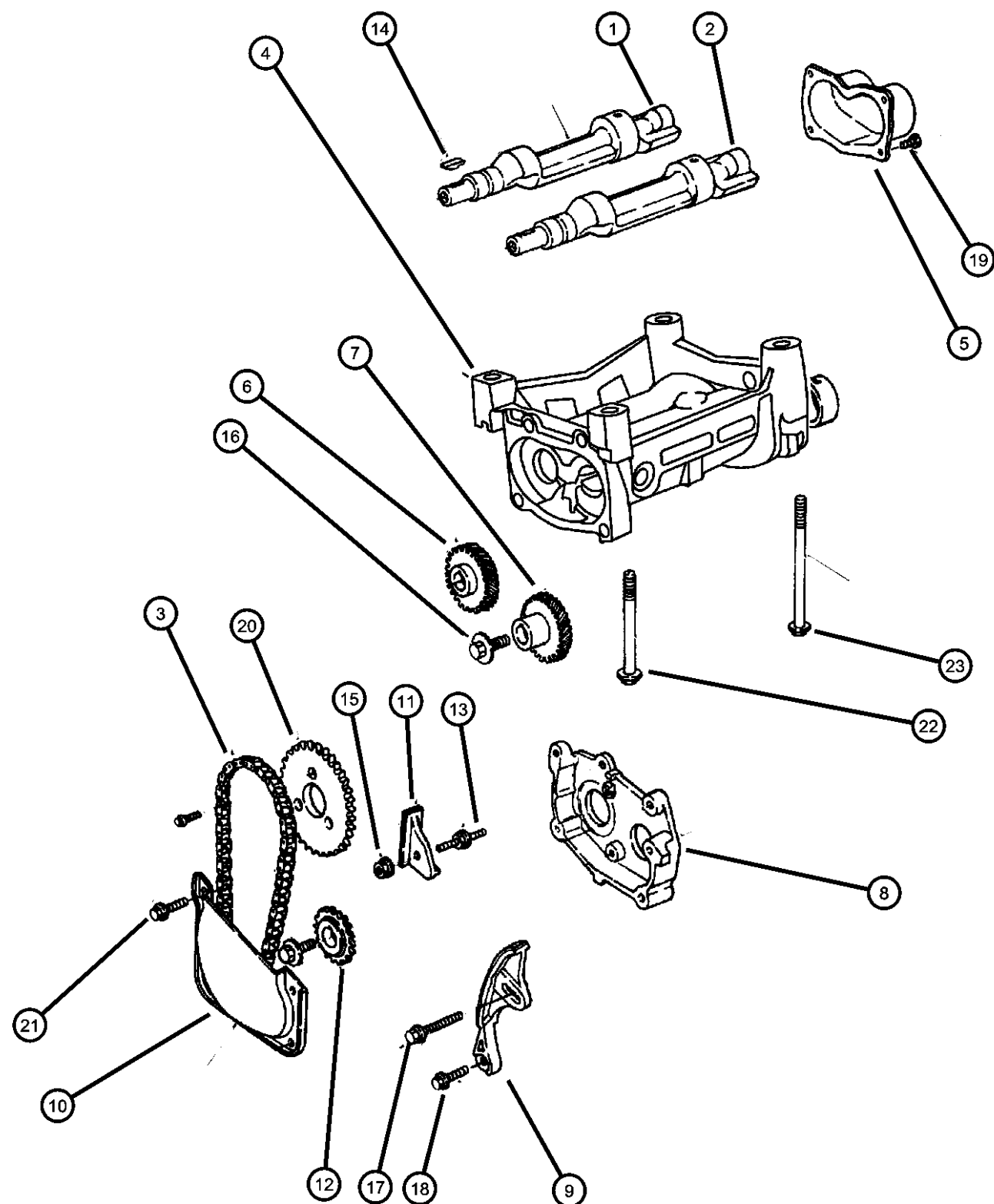
PT CRUISER (PT)

| | | | | |
|--------------|---|----------------|--|--|
| SERIES | LINE | BODY | ENGINE | TRANSMISSION |
| H = HIGHLINE | Z = CHRYSLER (RHD) C = CHRYSLER, LHD | 44 = Four Door | ECC = ENGINE - 2.0L 4 CYL DOHC 16V SMPI EDZ = ENGINE - 2.4L 4 CYL DOHC 16V SMPI | DGL = TRANSMISSION - 4-SPD. AUTOMATIC, 41TE DD5 = TRANSMISSION - 5-SPEED MANUAL DDO = All Manual Transmissions DGO = All Automatics |

AR = use ase required - = Non illustrated part

Balance Shafts 2.4L 4 Cyl DOHC 16V (MPI, EDZ)

Figure 2.4L-625



| ITEM | PART NUMBER | QTY | LINE | SERIES | BODY | ENGINE | TRANS | TRIM | DESCRIPTION |
|-------------------------------------|-------------|-----|------|--------|------|--------|-------|------|---|
| NOTE: Sales Code [EDZ]=2.4L Engine. | | | | | | | | | |
| 1 | 04621517 | 1 | | | | EDZ | | | SHAFT, Balance |
| 2 | 04621518 | 1 | | | | EDZ | | | SHAFT, Balance |
| 3 | 04621996 | 1 | | | | EDZ | | | CHAIN, Balance |
| 4 | 04621519AB | 1 | | | | EDZ | | | CARRIER, Balance Shaft |
| 5 | 04323043 | 1 | | | | EDZ | | | COVER, Balance Shaft Carrier |
| 6 | 04621952 | 1 | | | | EDZ | | | GEAR, Balance Shaft Driver |
| 7 | 04621951 | 1 | | | | EDZ | | | GEAR, Balance Shaft Driven |
| 8 | 04323039 | 1 | | | | EDZ | | | COVER, Balance Shaft Gear |
| 9 | 04343662 | 1 | | | | EDZ | | | TENSIONER, Chain |
| 10 | 04323041AD | 1 | | | | EDZ | | | TROUGH, Carrier Cover |
| 11 | 04343660 | 1 | | | | EDZ | | | GUIDE, Balance Shaft Chain |
| 12 | 04483485 | 1 | | | | EDZ | | | GEAR, Balance Shaft |
| 13 | 06505188AA | 1 | | | | EDZ | | | STUD, M6x1.00x40.00 |
| 14 | 06035473 | 1 | | | | EDZ | | | KEY, Crankshaft Sprocket |
| 15 | 06100047 | 1 | | | | EDZ | | | NUT AND WASHER, Hex Nut-Coned Washer, M6 x 1.00 |
| 16 | 06501404 | 2 | | | | EDZ | | | SCREW AND WASHER, Hex Head, M8x1.25x25 |
| 17 | 06100279 | 1 | | | | EDZ | | | SCREW AND WASHER, Hex Head, M6x1x35 |
| 18 | 06100271 | 2 | | | | EDZ | | | BOLT AND CONED WASHER, Hex Head, M6x45x12.5 |
| 19 | 06501714 | 2 | | | | | | | SCREW AND WASHER, Hex Head, M6x1x18 |
| 20 | 04621541 | 1 | | | | EDZ | | | GEAR, Crankshaft |
| 21 | 06100271 | 2 | | | | EDZ | | | BOLT AND CONED WASHER, Hex Head, M6x45x12.5 |
| 22 | 06503389 | 2 | | | | EDZ | | | BOLT, Hex Flange Head, M10x1.50x108 |
| 23 | 06504878AA | 2 | | | | EDZ | | | BOLT |

PT CRUISER (PT)

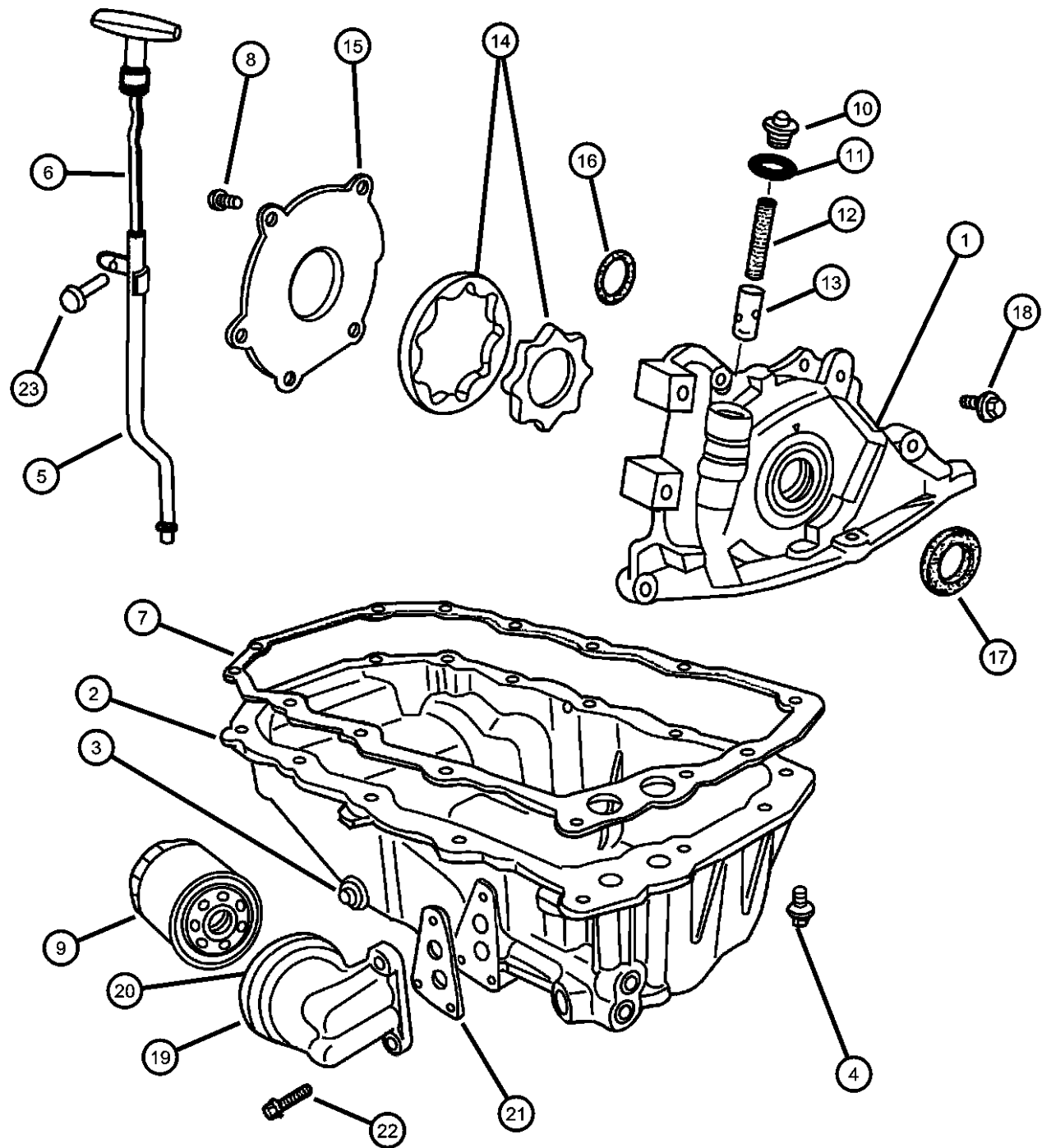
SERIES LINE
 H = HIGHLINE Z = CHRYSLER (RHD)
 C = CHRYSLER, LHD

BODY
 44 = Four Door

ENGINE TRANSMISSION
 ECC = ENGINE - 2.0L 4 CYL DOHC 16V SMPI
 EDZ = ENGINE - 2.4L 4 CYL DOHC 16V SMPI
 DGL = TRANSMISSION - 4-SPD. AUTOMATIC, 41TE
 DD5 = TRANSMISSION - 5-SPEED MANUAL
 DDO = All Manual Transmissions
 DGO = All Automatics

AR = use ase required - = Non illustrated part

**Engine Oiling 2.4L 4 Cyl DOHC 16V (MPI, EDZ)
Figure 2.4L-721**



| ITEM | PART NUMBER | QTY | LINE | SERIES | BODY | ENGINE | TRANS | TRIM | DESCRIPTION |
|---|-------------|-----|------|--------|------|--------|-------|------|---|
| NOTE: Sales Code [EDZ]=2.4L 4 Cyl DOHC 16V | | | | | | | | | |
| 1 | 04777955AA | 1 | | | | EDZ | | | PUMP, Engine Oil |
| 2 | 04777991AB | 1 | | | | EDZ | | | PAN, Engine Oil |
| 3 | 06504018 | 1 | | | | EDZ | | | PLUG, Oil Drain |
| 4 | 06101451 | 14 | | | | EDZ | | | SCREW AND WASHER, Hex Head, M6x1x25 |
| 5 | 04777964AA | 1 | | | | EDZ | | | TUBE, Engine Oil Indicator |
| 6 | 04777965AA | 1 | | | | EDZ | | | INDICATOR, Engine Oil Level |
| 7 | 04777994AA | 1 | | | | EDZ | | | GASKET, Oil Pan |
| 8 | 06505388AA | 5 | | | | EDZ | | | SCREW, Flange Head, M6x1x18 |
| 9 | 04105409 | 1 | | | | EDZ | | | FILTER, Engine Oil |
| 10 | 00618621 | 1 | | | | EDZ | | | CAP, Oil Pressure Relief Valve |
| 11 | 04777062 | 1 | | | | EDZ | | | GASKET, Oil Pump Relief Valve |
| 12 | 01737744 | 1 | | | | EDZ | | | SPRING, Oil Pressure Relief Valve |
| 13 | 02843208 | 1 | | | | EDZ | | | PLUNGER, Oil Pressure Relief Valve |
| 14 | 04773672 | 1 | | | | EDZ | | | ROTOR SET, Oil Pump |
| 15 | 04621523 | 1 | | | | EDZ | | | COVER, Oil Pump Back |
| 16 | 04483444AB | 1 | | | | EDZ | | | O RING, Front Cover Oil Inlet |
| 17 | 04667198 | 1 | | | | EDZ | | | SEAL, Front Main Crankshaft |
| 18 | 06100307 | 2 | | | | EDZ | | | BOLT, Hex Head |
| 19 | 04777998AA | 1 | | | | EDZ | | | ADAPTER, Oil Filter, Includes Connector |
| 20 | 04104511AB | 1 | | | | EDZ | | | CONNECTOR, Oil Filter Adapter |
| 21 | 04884000AA | 1 | | | | EDZ | | | GASKET, Oil Filter Adapter |
| 22 | 06102041AA | 3 | | | | EDZ | | | SCREW |
| 23 | 06102152AA | 1 | | | | EDZ | | | SCREW, Tapping Hex Flange Head, M6.3x1.81x20.00 |
| -24 | 04792304AC | 1 | | | | EDZ | | | TUBE, Oil Pickup |
| -25 | 06032920 | 1 | | | | EDZ | | | SEAL, Oil Pick Up Tube |
| -26 | 06500070 | 1 | | | | EDZ | | | SCREW AND WASHER, Hex Head, M8x1.25x25, M8X1.25X25.00 |

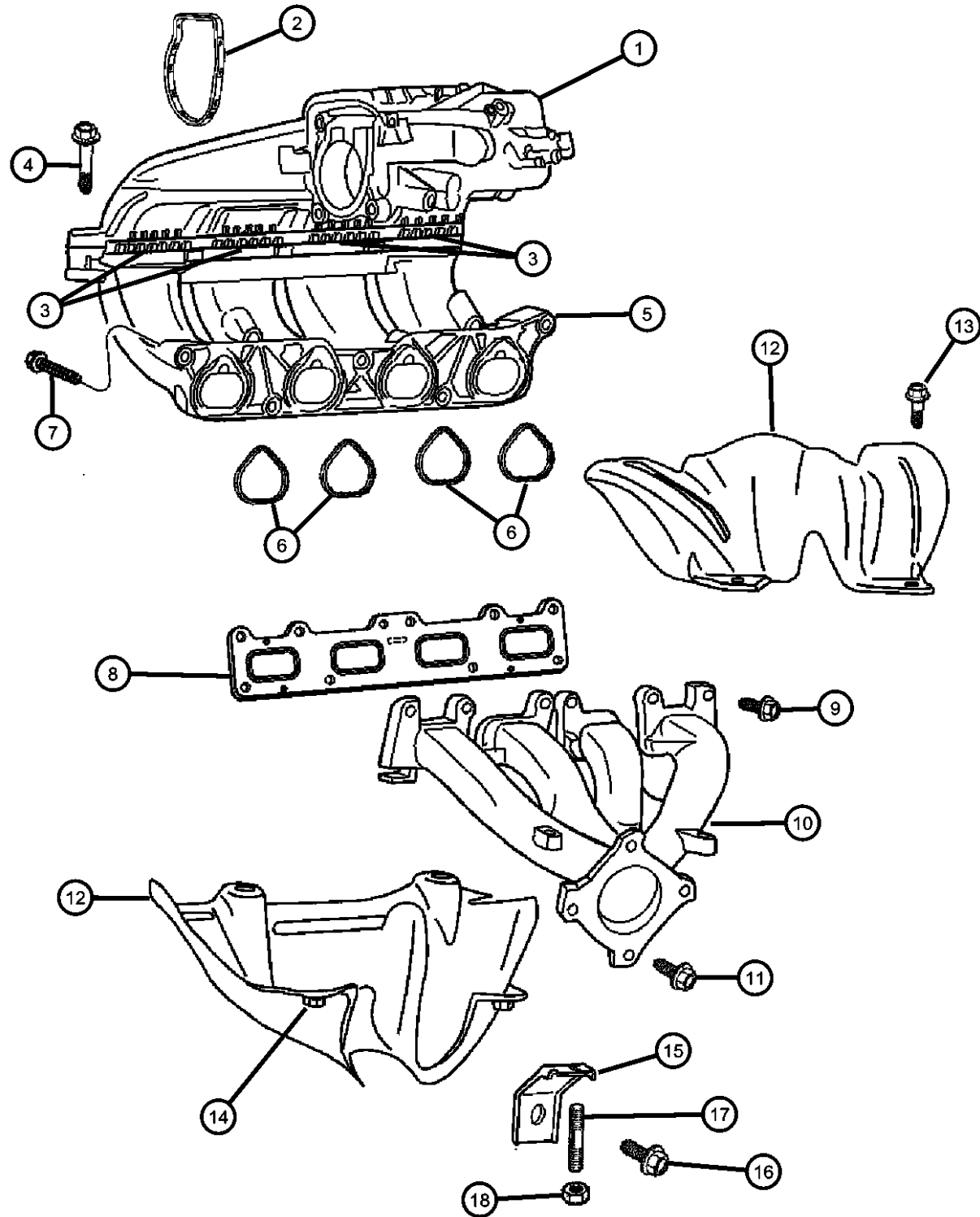
PT CRUISER (PT)

| | | | | |
|--------------|---|----------------|--|--|
| SERIES | LINE | BODY | ENGINE | TRANSMISSION |
| H = HIGHLINE | Z = CHRYSLER (RHD) C = CHRYSLER, LHD | 44 = Four Door | ECC = ENGINE - 2.0L 4 CYL DOHC 16V SMPI EDZ = ENGINE - 2.4L 4 CYL DOHC 16V SMPI | DGL = TRANSMISSION - 4-SPD. AUTOMATIC, 41TE DD5 = TRANSMISSION - 5-SPEED MANUAL DDO = All Manual Transmissions DGO = All Automatics |

AR = use ase required - = Non illustrated part

2001 PT

Intake and Exhaust Manifolds
Figure 2.4L-811



| ITEM | PART NUMBER | QTY | LINE | SERIES | BODY | ENGINE | TRANS | TRIM | DESCRIPTION |
|--|-------------|-----|------|--------|------|--------|-------|------|---|
| NOTES: Sales Code [EDZ] = 2.4L 4 Cylinder DOHC 16V SMPI | | | | | | | | | |
| 1 | 04777866AC | 1 | | | | EDZ | | | MANIFOLD, Intake, Upper |
| 2 | 04777870AB | 1 | | | | EDZ | | | GASKET, Throttle Body |
| 3 | 04777868AB | 4 | | | | EDZ | | | GASKET, Intake ManifoldUpper To Lower Intake Manifold |
| 4 | 06505557AA | 5 | | | | EDZ | | | SCREWUpper To Lower Intake Manifold |
| 5 | 04777871AC | 1 | | | | EDZ | | | MANIFOLD, Intake, Lower |
| 6 | 04777873AB | 4 | | | | EDZ | | | GASKET, Intake Manifold |
| 7 | 06506770AA | 3 | | | | EDZ | | | SCREW |
| 8 | 04781255AA | 1 | | | | EDZ | | | GASKET, Exhaust Manifold |
| 9 | 06503131 | 8 | | | | EDZ | | | BOLT, Hex Flange Head, M8x1.25x30 |
| 10 | 04884233AA | 1 | | | | EDZ | | | MANIFOLD, Exhaust |
| 11 | 06503767 | 4 | | | | EDZ | | | BOLT, Hex Head, M8x1.25x35 |
| 12 | | | | | | | | | SHIELD, Exhaust Manifold |
| | 04777951AA | 1 | | | | EDZ | | | Lower |
| | 04777952AB | 1 | | | | EDZ | | | Upper |
| 13 | 06505499AA | 4 | | | | EDZ | | | SCREW |
| 14 | 06504516 | 2 | | | | EDZ | | | NUT AND WASHER, M6x1.00 |
| 15 | 04884110AA | 1 | | | | EDZ | | | STRUT, Exhaust Manifold |
| 16 | 06101663 | 1 | | | | EDZ | | | BOLT AND WASHER, Hex Head, M10x1.50x22 |
| 17 | 06506423AA | 1 | | | | EDZ | | | STUD |
| 18 | 06504175 | 1 | | | | EDZ | | | NUT AND WASHER, Hex, M8x1.25 |

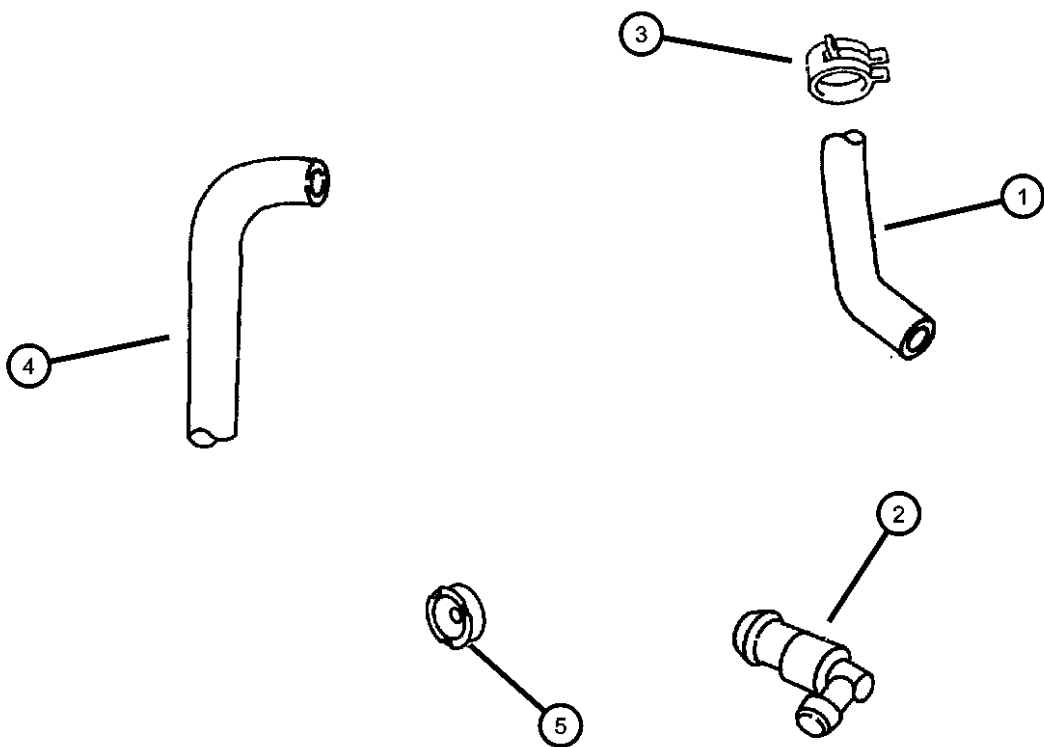
PT CRUISER (PT)

| | | | | |
|--------------|---|----------------|--|--|
| SERIES | LINE | BODY | ENGINE | TRANSMISSION |
| H = HIGHLINE | Z = CHRYSLER (RHD) C = CHRYSLER, LHD | 44 = Four Door | ECC = ENGINE - 2.0L 4 CYL DOHC 16V SMPI EDZ = ENGINE - 2.4L 4 CYL DOHC 16V SMPI | DGL = TRANSMISSION - 4-SPD. AUTOMATIC, 41TE DD5 = TRANSMISSION - 5-SPEED MANUAL DDO = All Manual Transmissions DGO = All Automatics |

AR = use ase required - = Non illustrated part

**Crankcase Ventilation 2.4L 4 Cyl DOHC 16V (MPI, EDZ)
Figure 2.4L-921**

| ITEM | PART NUMBER | QTY | LINE | SERIES | BODY | ENGINE | TRANS | TRIM | DESCRIPTION |
|------|-------------|-----|------|--------|------|--------|-------|------|-------------|
|------|-------------|-----|------|--------|------|--------|-------|------|-------------|



NOTE: Sales Code
[EDZ]=2.4L Engine.

| | | | | | | | | | |
|---|------------|---|--|--|--|----------|--|--|------------------------------|
| 1 | 04777971AA | 1 | | | | ECC, EDZ | | | HOSE, Make Up Air |
| 2 | 04777240AC | 1 | | | | EDZ | | | VALVE, PCV |
| 3 | 06502017 | 4 | | | | EDZ | | | CLAMP, Heater Hose |
| 4 | 04884246AA | 1 | | | | EDZ | | | HOSE, Polution Control Valve |
| 5 | 04884040AA | 1 | | | | EDZ | | | RESTRICTOR, PCV |

PT CRUISER (PT)

| | | | | |
|--------------|---|----------------|--|---|
| SERIES | LINE | BODY | ENGINE | TRANSMISSION |
| H = HIGHLINE | Z = CHRYSLER (RHD) C = CHRYSLER, LHD | 44 = Four Door | ECC = ENGINE - 2.0L 4 CYL DOHC 16V SMPI EDZ = ENGINE - 2.4L 4 CYL DOHC 16V SMPI | DGL = TRANSMISSION - 4-SPD. AUTOMATIC,41TE DD5 = TRANSMISSION - 5-SPEED MANUAL DDO = All Manual Transmissions DGO = All Automatics |

AR = use ase required - = Non illustrated part

2001 PT

Group - 11

Exhaust

Group - 11 Exhaust

Illustration Title

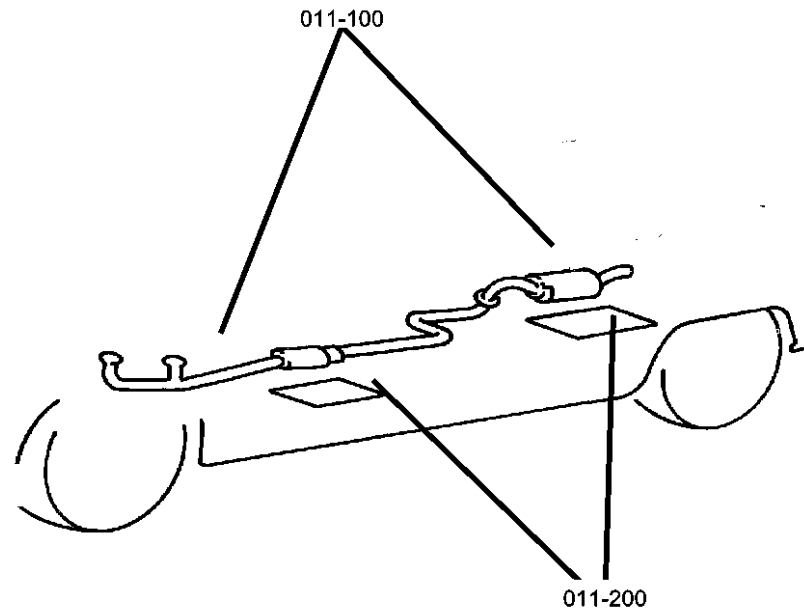
Group-Fig. No.

Exhaust System

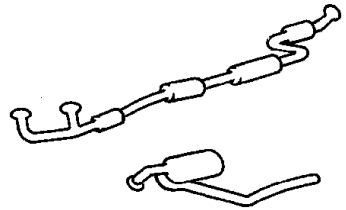
Exhaust System Fig. 11 - 110

Heat Shields

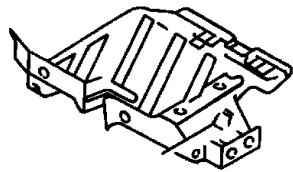
Exhaust Shields Fig. 11 - 210



011-100
Exhaust System



011-200
Heat Shields

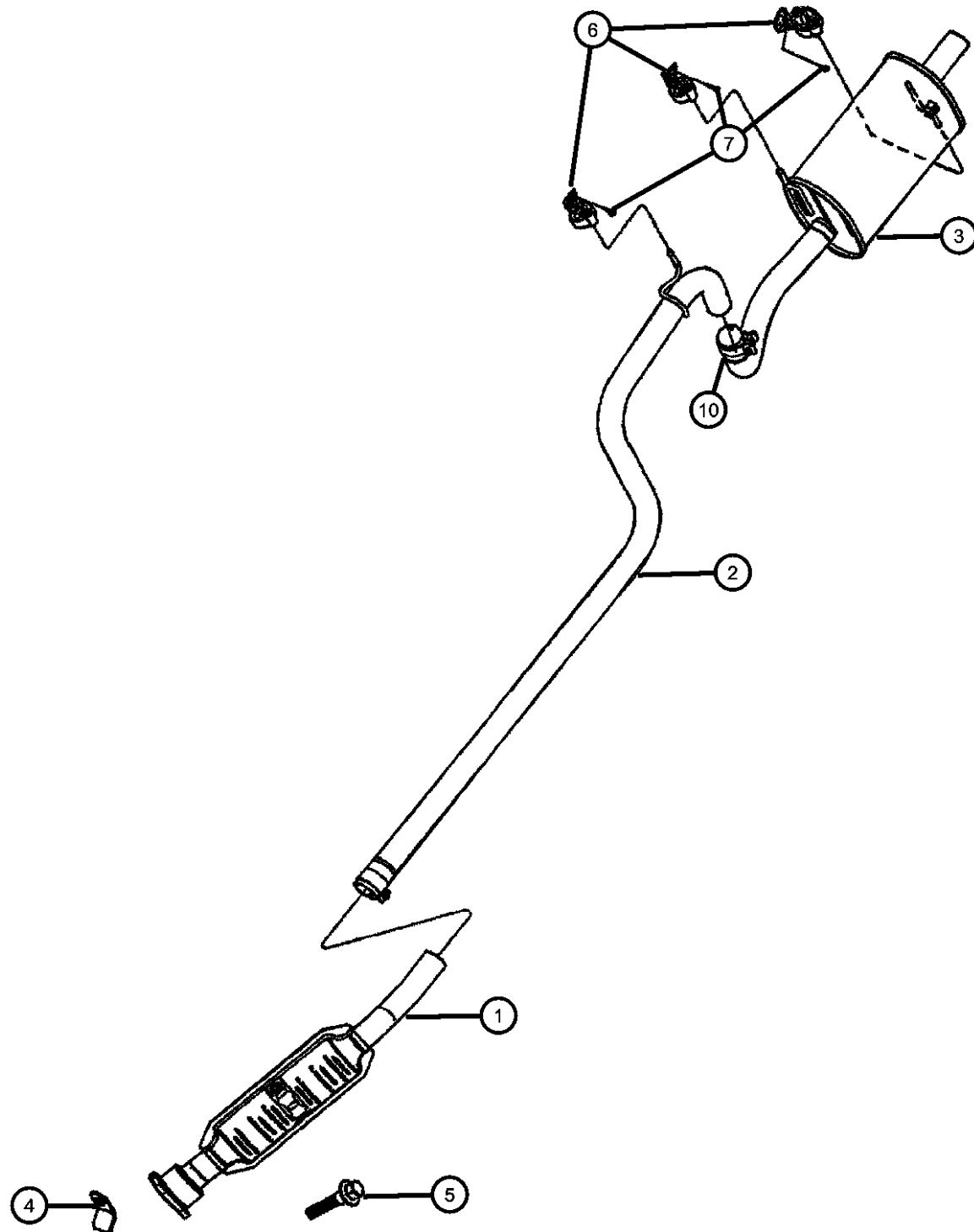


**Exhaust System
Figure 11-110**

| ITEM | PART NUMBER | QTY | LINE | SERIES | BODY | ENGINE | TRANS | TRIM | DESCRIPTION |
|------|-------------|-----|------|--------|------|--------|-------|------|-------------|
|------|-------------|-----|------|--------|------|--------|-------|------|-------------|

NOTE: Sales Codes
 [ECC]=2.0L DOHC Engine
 [EDZ]=2.4L Engine
 [NAA]=Federal Emissions
 [NBV]= Low Emission Vehicle (LEV)
 [NBU]=Ultra Low Emission Vehicle (ULEV)
 [NEC]=Bright Tip.

| | | | | | | | | | |
|----|------------|---|--|--|--|----------|--|--|---|
| 1 | 05278267AA | 1 | | | | ECC, EDZ | | | CONVERTER, Catalytic (NBV, NAA) |
| | 05278635AA | 1 | | | | | | | [NBU] |
| 2 | 05278194AA | 1 | | | | | | | PIPE, Exhaust Extension |
| 3 | | | | | | | | | MUFFLER, Exhaust |
| | 05278195AA | 1 | | | | EDZ | | | w/Out NEC (Bright Tip) |
| | 05278502AA | 1 | | | | ECC | | | |
| | 05278503AA | 1 | | | | EDZ | | | w/NEC (Bright Tip) |
| 4 | 04682810AB | 4 | | | | EDZ, ECC | | | NUT, Hex Flange, M8x1.25 |
| 5 | 04682810AB | 4 | | | | | | | SCREW, Hex Flange Head, M8x1.25x35, (NOT SERVICED) |
| 6 | 05278526AA | 3 | | | | | | | BRACKET AND ISOLATOR, Exhaust |
| 7 | 06034716 | 3 | | | | | | | SCREW AND WASHER, Hex Flange Head, .25-14x.875 |
| -8 | 04716878 | 1 | | | | | | | LABEL, Exhaust Gas Warning, Liftgate |
| -9 | 04616671 | 1 | | | | | | | GASKET, Manifold To Exhaust Pipe |
| | E0031597 | | | | | | | | Mopar V-Line Alternative Part |
| 10 | 04695220AB | 1 | | | | | | | CLAMP, Exhaust |



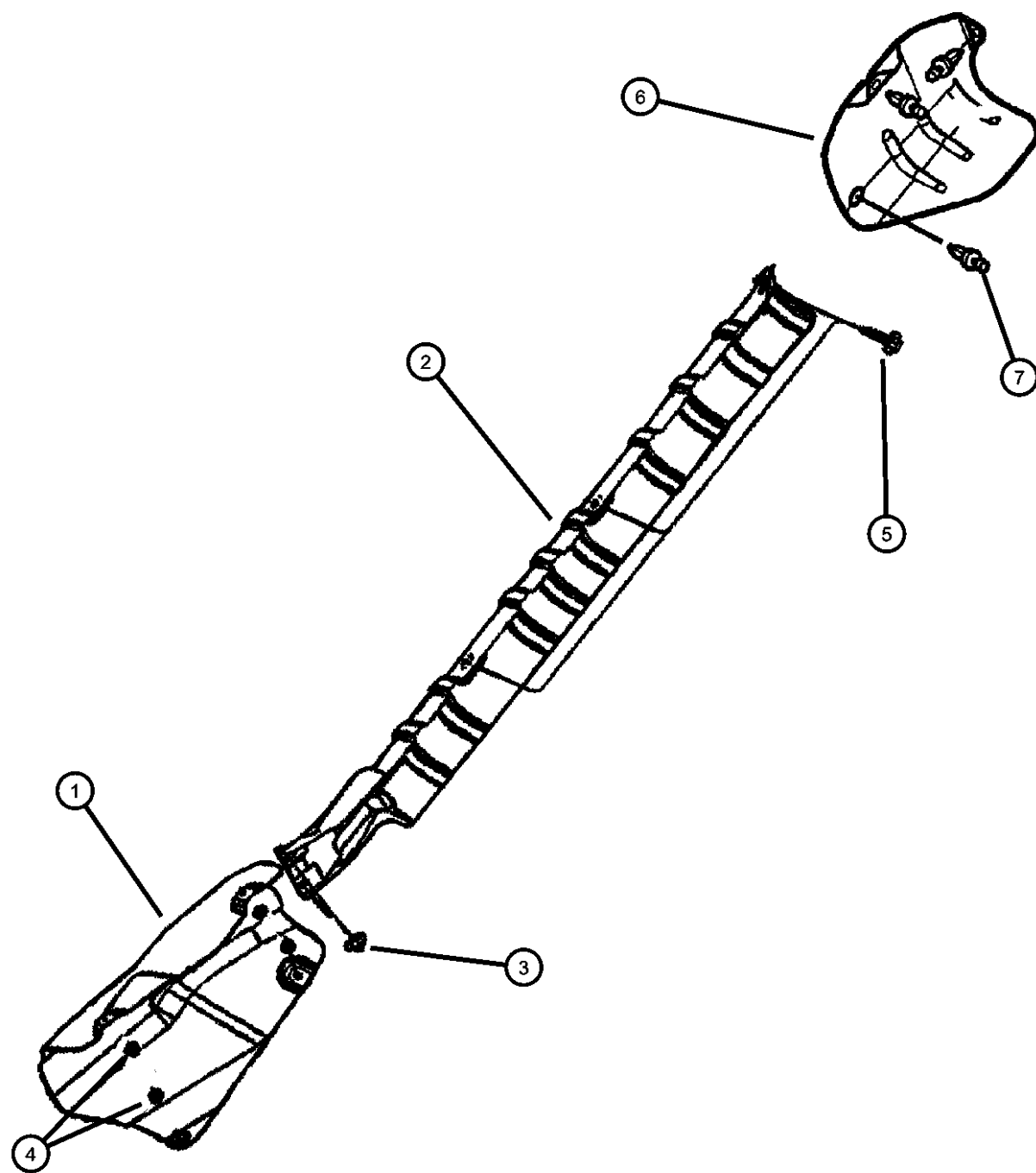
PT CRUISER (PT)

| SERIES | LINE | BODY | ENGINE | TRANSMISSION |
|--------------|---|----------------|--|--|
| H = HIGHLINE | Z = CHRYSLER (RHD) C = CHRYSLER, LHD | 44 = Four Door | ECC = ENGINE - 2.0L 4 CYL DOHC 16V SMPI EDZ = ENGINE - 2.4L 4 CYL DOHC 16V SMPI | DGL = TRANSMISSION - 4-SPD. AUTOMATIC, 41TE DD5 = TRANSMISSION - 5-SPEED MANUAL DDO = All Manual Transmissions DGO = All Automatics |

AR = use ase required - = Non illustrated part

2001 PT

Exhaust Shields Figure 11-210



| ITEM | PART NUMBER | QTY | LINE | SERIES | BODY | ENGINE | TRANS | TRIM | DESCRIPTION |
|------|-------------|-----|------|--------|------|----------|-------|------|--|
| 1 | 05278712AA | 1 | | | | | | | SHIELD, Converter Underbody |
| 2 | 05278713AA | 1 | | | | | | | SHIELD, Heat |
| 3 | 06100815 | 1 | | | | | | | NUT, Stamped, M6 |
| 4 | 06504552 | 4 | | | | | | | NUT, Plastic |
| 5 | 06034716 | 4 | | | | | | | SCREW AND WASHER, Hex Flange Head, .25-14x.875 |
| 6 | 05278393AA | 1 | | | | | | | SHIELD, Muffler |
| 7 | 06503106 | 3 | | | | ECC, EDZ | | | RETAINER, Push In Type M6.3 Hole |

PT CRUISER (PT)

| | | | | |
|--------------|---|----------------|--|--|
| SERIES | LINE | BODY | ENGINE | TRANSMISSION |
| H = HIGHLINE | Z = CHRYSLER (RHD) C = CHRYSLER, LHD | 44 = Four Door | ECC = ENGINE - 2.0L 4 CYL DOHC 16V SMPI EDZ = ENGINE - 2.4L 4 CYL DOHC 16V SMPI | DGL = TRANSMISSION - 4-SPD. AUTOMATIC, 41TE DD5 = TRANSMISSION - 5-SPEED MANUAL DDO = All Manual Transmissions DGO = All Automatics |

AR = use ase required - = Non illustrated part

Group - 13

Frames and Bumpers

Group - 13 Frames and Bumpers

Illustration Title

Group-Fig. No.

Frames

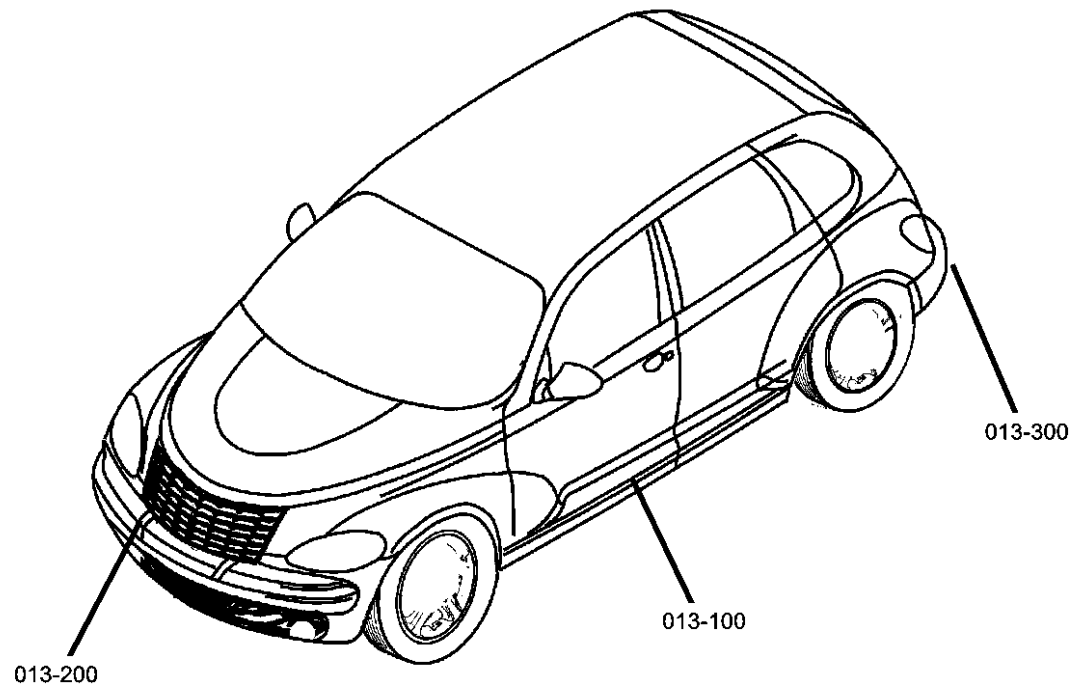
Frame, Front.....Fig. 13 - 105
 Frame, Rear.....Fig. 13 - 110

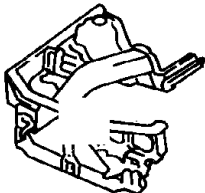
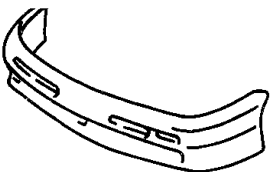

Front Bumper and Fascia

Fascia, Front.....Fig. 13 - 205

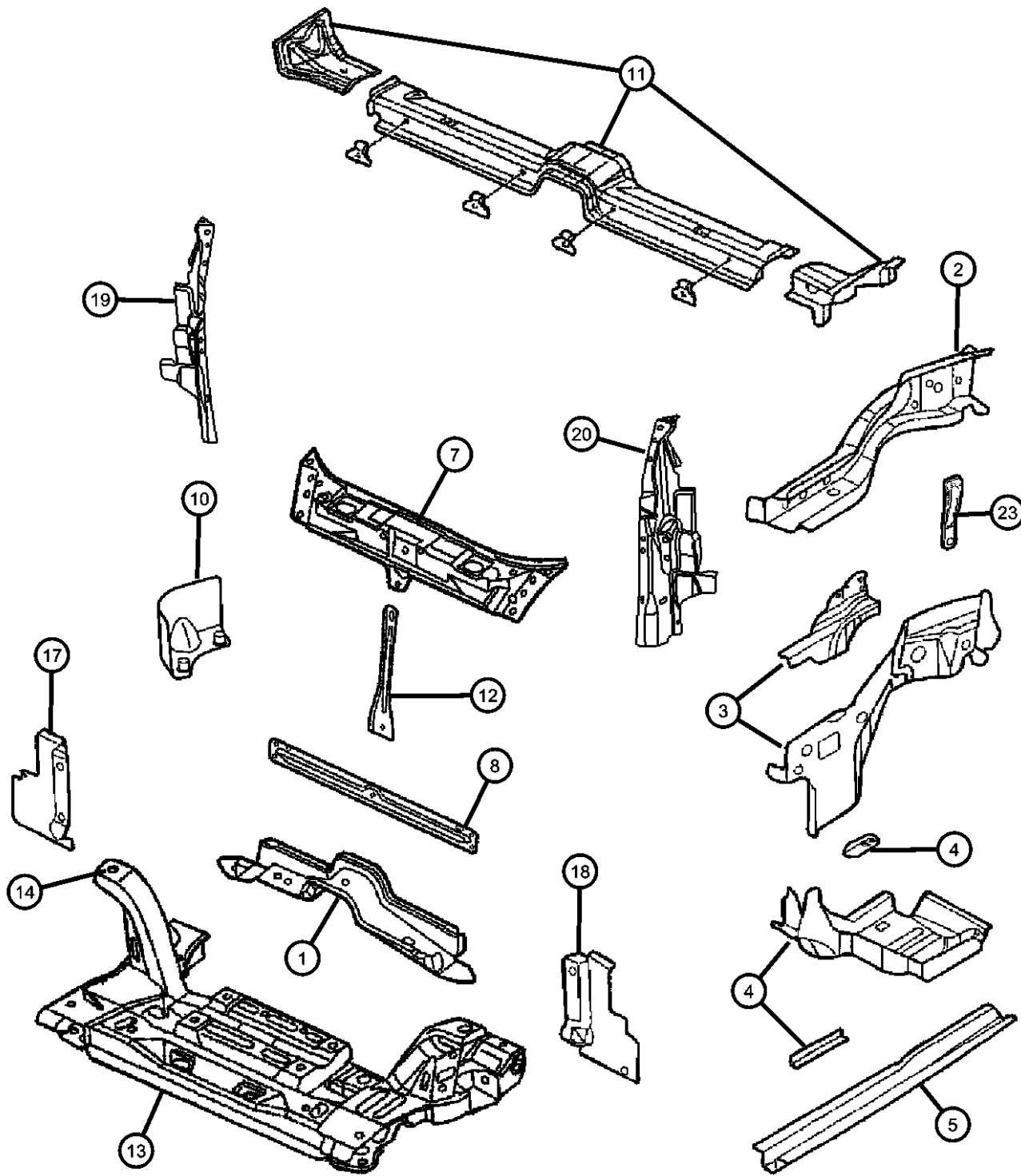
Rear Bumper and Fascia

Fascia, Rear.....Fig. 13 - 305



| | | | |
|--|---|---|--|
| <p>013-100 Frames</p>  | <p>013-200 Front Bumper and Fascia</p>  | <p>013-300 Rear Bumper and Fascia</p>  | |
|--|---|---|--|

Frame, Front
Figure 13-105



| ITEM | PART NUMBER | QTY | LINE | SERIES | BODY | ENGINE | TRANS | TRIM | DESCRIPTION |
|------|-------------|-----|------|--------|------|--------|-------|------|---|
| 1 | 05027429AB | 1 | | | | | | | CROSSMEMBER, Front Floor |
| 2 | 04724470AC | 1 | | | | | | | RAIL, Front Side Rail Front Right |
| | 04724471AC | 1 | | | | | | | Left |
| 3 | 04724474AC | 1 | | | | | | | REINFORCEMENT, Front Side Rail Right |
| | 04724475AC | 1 | | | | | | | Left |
| 4 | 05027418AB | 1 | | | | | | | RAIL, Front Side Rail Rear Right |
| | 05027419AB | 1 | | | | | | | Left |
| 5 | 05027416AC | 1 | | | | | | | EXTENSION, Front Side Rail Right |
| | 05027417AC | 1 | | | | | | | Left |
| -6 | 04724477AB | 1 | | | | | | | CROSSMEMBER, Radiator, Support, Lower |
| 7 | 04724509AA | 1 | | | | | | | CROSSMEMBER, Radiator Closure Panel |
| 8 | 04724905AA | 1 | | | | | | | BRACE, Radiator Closure Panel Up to 12-13-00 |
| | 04724905AC | 1 | | | | | | | After 12-13-00 |
| -9 | 05027414AB | 1 | | | | | | | PLATE, Front Siderail Upper, Right |
| | 05027415AD | 1 | | | | | | | Upper, Left |
| 10 | 04724906AA | 1 | | | | | | | PLATE, Radiator Closure To Lower C/Mbr Tapping, Right |
| | 04724907AA | 1 | | | | | | | To Lower C/Mbr Tapping, Left |
| 11 | 05017435AA | 1 | | | | | | | BEAM, Front Floor Pan |
| 12 | 04724482AB | 1 | | | | | | | BRACE, Radiator Crossmember Up to 12-13-00, Upper |
| | 04724482AC | 1 | | | | | | | After 12-13-00, Upper |
| 13 | 04656618AH | 1 | | | | | | | CROSSMEMBER, Front Suspension, 6 Bolt Pattern |
| 14 | 06506038AA | 2 | | | | | | | SCREW, Hex Head, Crossmember |
| -15 | 06505595AA | 2 | | | | | | | NUT, M14X2, Crossmember |
| -16 | 04656957AB | 1 | | | | | | | STRUT, Front Suspension |

PT CRUISER (PT)

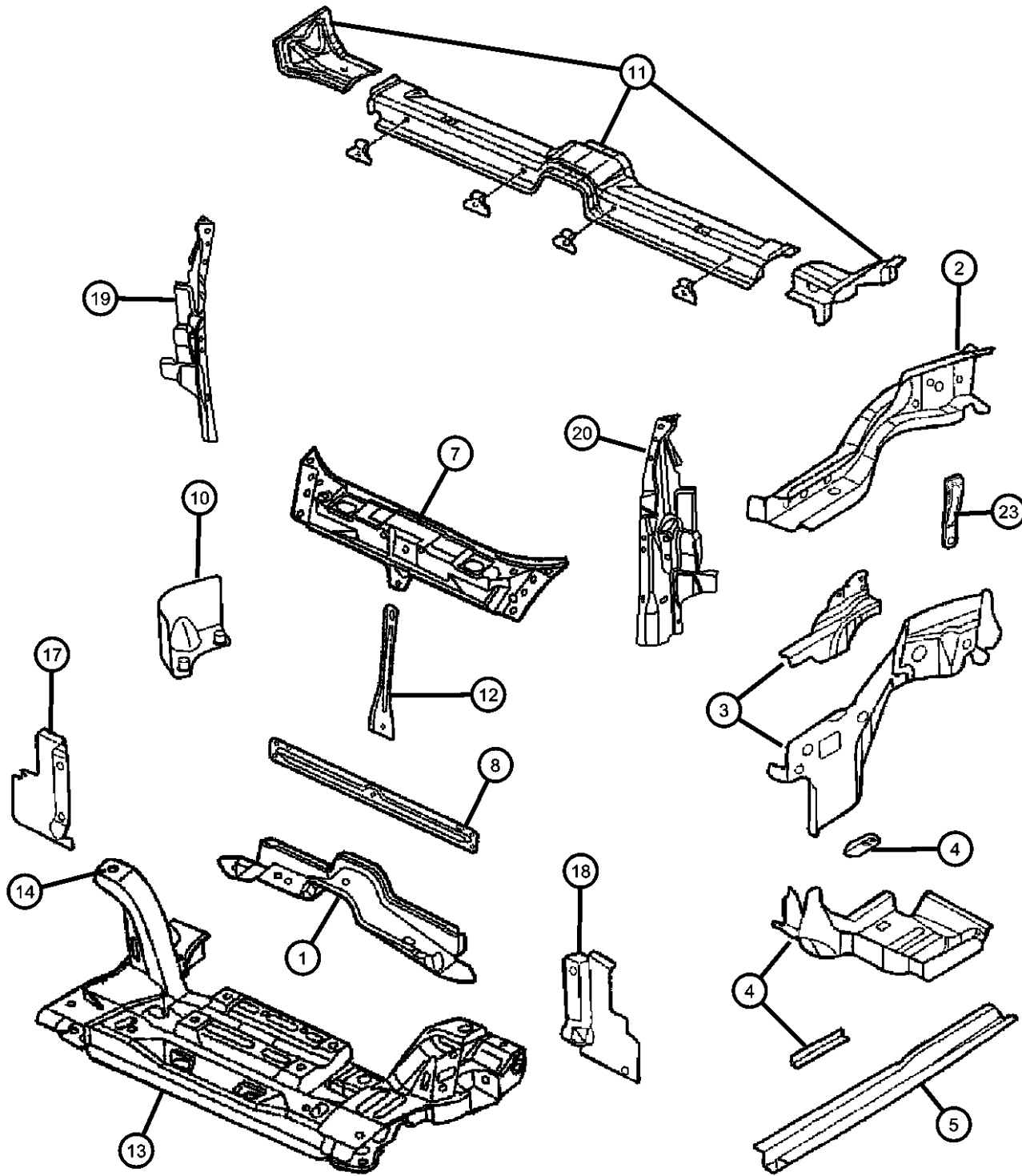
| | | | | |
|--------------|---|----------------|--|--|
| SERIES | LINE | BODY | ENGINE | TRANSMISSION |
| H = HIGHLINE | Z = CHRYSLER (RHD) C = CHRYSLER, LHD | 44 = Four Door | ECC = ENGINE - 2.0L 4 CYL DOHC 16V SMPI EDZ = ENGINE - 2.4L 4 CYL DOHC 16V SMPI | DGL = TRANSMISSION - 4-SPD. AUTOMATIC, 41TE DD5 = TRANSMISSION - 5-SPEED MANUAL DDO = All Manual Transmissions DGO = All Automatics |

AR = use ase required - = Non illustrated part

2001 PT

Frame, Front
Figure 13-105

| ITEM | PART NUMBER | QTY | LINE | SERIES | BODY | ENGINE | TRANS | TRIM | DESCRIPTION |
|------|-------------|-----|------|--------|------|--------|-------|------|-------------|
|------|-------------|-----|------|--------|------|--------|-------|------|-------------|



| | | | | | | | | | |
|-----|------------|---|---|--|--|--|--|--|--------------------------------------|
| 17 | | | | | | | | | PANEL, Radiator Closure |
| | 04724484AD | 1 | | | | | | | Up to 12-13-00, Outer, Right |
| | 04724484AE | 1 | | | | | | | After 12-13-00, Outer, Right |
| 18 | 04724485AC | 1 | | | | | | | PANEL, Radiator Closure, Outer, Left |
| 19 | | | | | | | | | PANEL, Radiator Closure |
| | 04724864AC | 1 | | | | | | | Up to 12-13-00, Inner Right |
| | 04724864AE | 1 | | | | | | | After 12-13-00, Inner Right |
| 20 | 04724865AC | 1 | | | | | | | PANEL, Radiator Closure, Inner, Left |
| -21 | 05027925AA | 1 | | | | | | | CAP, Protective |
| -22 | 06505595AA | 2 | | | | | | | NUT, M14X2 |
| 23 | 05027186AB | 2 | C | | | | | | BRACKET, Tie Down |

PT CRUISER (PT)

| | | | | |
|--------------|---|----------------|--|--|
| SERIES | LINE | BODY | ENGINE | TRANSMISSION |
| H = HIGHLINE | Z = CHRYSLER (RHD) C = CHRYSLER, LHD | 44 = Four Door | ECC = ENGINE - 2.0L 4 CYL DOHC 16V SMPI EDZ = ENGINE - 2.4L 4 CYL DOHC 16V SMPI | DGL = TRANSMISSION - 4-SPD. AUTOMATIC, 41TE DD5 = TRANSMISSION - 5-SPEED MANUAL DDO = All Manual Transmissions DGO = All Automatics |

AR = use ase required - = Non illustrated part

2001 PT

Frame, Rear
Figure 13-110

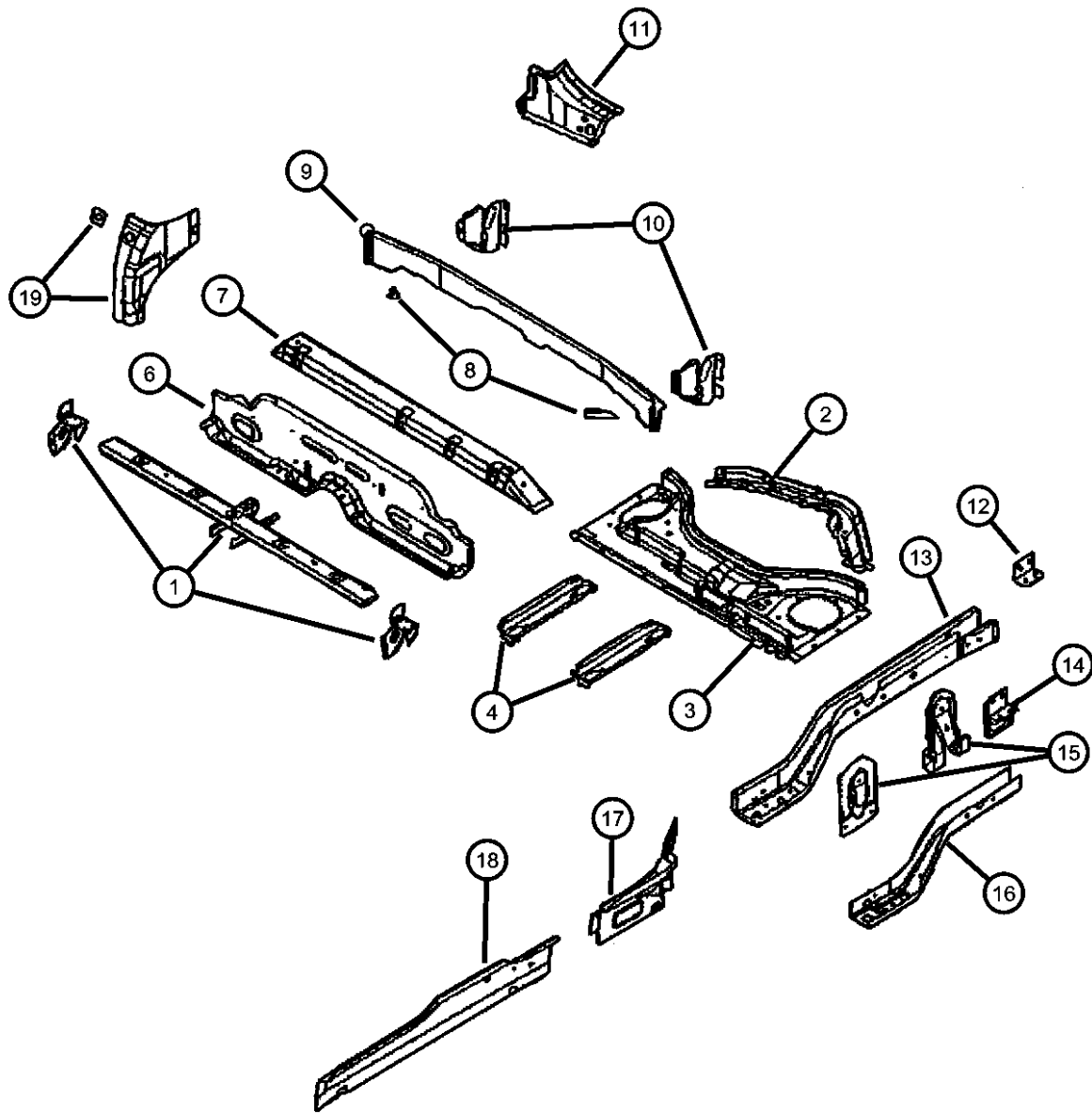
| ITEM | PART NUMBER | QTY | LINE | SERIES | BODY | ENGINE | TRANS | TRIM | DESCRIPTION |
|------|-------------|-----|------|--------|------|--------|-------|------|---|
| 1 | 05017435AA | 1 | | | | | | | BEAM, Front Floor Pan |
| 2 | 04724591AA | 1 | | | | | | | CROSSMEMBER, Rear Floor, Rear Seat |
| 3 | 04724856AA | 1 | | | | | | | CROSSMEMBER, Rear Floor, S/Rail RR Susp and Fuel Tank Mtg |
| 4 | 04724856AA | 1 | | | | | | | REINFORCEMENT, Rear Floor Pan, Fuel Tank Support. Serviced in Floor Pan, (NOT SERVICED) |
| -5 | 05027377AB | 1 | | | | | | | CROSSMEMBER, Rear Floor, Front Kick Up |
| 6 | 05027377AB | 1 | | | | | | | CROSSMEMBER, Rear Floor Pan Front, Serviced in Item #4, (NOT SERVICED) |
| 7 | 05027004AB | 1 | | | | | | | BRACKET, Rear Seat, Front Attaching |
| 8 | 05027006AA | 2 | | | | | | | LOOP, Cargo Tie Down |
| 9 | 04724576AA | 1 | | | | | | | REINFORCEMENT, Floor Pan, To Rear Closure |
| 10 | | | | | | | | | REINFORCEMENT, Rear Floor Pan Closure To Spare Tire Closure To Spr Tire Clsr Pnl, Right |
| | 04724860AA | 1 | | | | | | | To Spr Tire Clsr Pnl, Left |
| | 04724861AA | 1 | | | | | | | |
| 11 | | | | | | | | | PANEL, Liftgate Opening Lower Right |
| | 04724584AA | 1 | | | | | | | Left |
| | 04724585AA | 1 | | | | | | | |
| 12 | 05027188AB | 2 | | | | | | | TAPPING PLATE, Rear Floor Pan Side Rail, Tow Hook & Ship Tie Down |
| 13 | | | | | | | | | RAIL, Rear Floor Pan Side Right |
| | 05017556AA | 1 | | | | | | | Left |
| | 05017557AA | 1 | | | | | | | |
| 14 | 05027186AB | 2 | C | | | | | | BRACKET, Tie Down |
| 15 | 05027186AB | 2 | | | | | | | GUSSET, Side Rail, Shock Mounting Rt and Left. Serviced in Item #10, (NOT SERVICED) |
| 16 | 05027186AB | 2 | | | | | | | REINFORCEMENT, Floor Pan Side Rail Rt & Lt. Serviced in Item #10, (NOT SERVICED) |
| 17 | 05027186AB | 2 | | | | | | | PANEL, Body Side Sill Inner, Serviced in Item #13, (NOT SERVICED) |
| 18 | | | | | | | | | PANEL, Body Side Sill Inner Right |
| | 04724500AB | 1 | | | | | | | |

PT CRUISER (PT)

| | | | | |
|--------------|---|----------------|--|--|
| SERIES | LINE | BODY | ENGINE | TRANSMISSION |
| H = HIGHLINE | Z = CHRYSLER (RHD) C = CHRYSLER, LHD | 44 = Four Door | ECC = ENGINE - 2.0L 4 CYL DOHC 16V SMPI EDZ = ENGINE - 2.4L 4 CYL DOHC 16V SMPI | DGL = TRANSMISSION - 4-SPD. AUTOMATIC, 41TE DD5 = TRANSMISSION - 5-SPEED MANUAL DDO = All Manual Transmissions DGO = All Automatics |

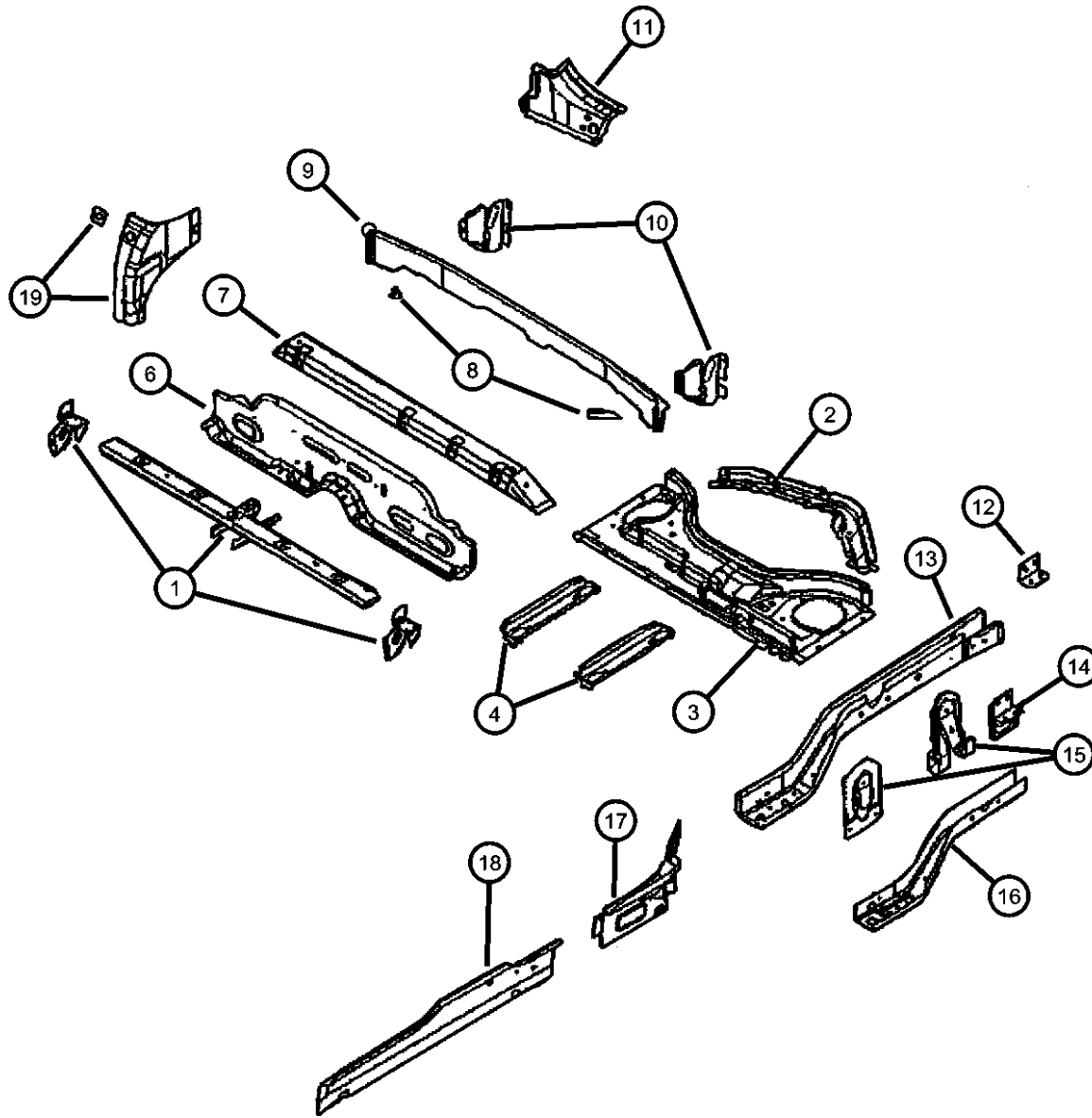
AR = use ase required - = Non illustrated part

2001 PT



Frame, Rear
Figure 13-110

| ITEM | PART NUMBER | QTY | LINE | SERIES | BODY | ENGINE | TRANS | TRIM | DESCRIPTION |
|------|-------------|-----|------|--------|------|--------|-------|------|---|
| | 04724501AB | 1 | | | | | | | Left |
| 19 | 05017436AB | 1 | | | | | | | EXTENSION, Wheel House |
| | 05017437AB | 1 | | | | | | | Right |
| | 06504618 | 8 | | | | | | | Left |
| -20 | 06504618 | 8 | | | | | | | SCREW AND WASHER, Hex Head, M10-1.50x32 |



PT CRUISER (PT)

SERIES LINE
H = HIGHLINE Z = CHRYSLER (RHD)
C = CHRYSLER, LHD

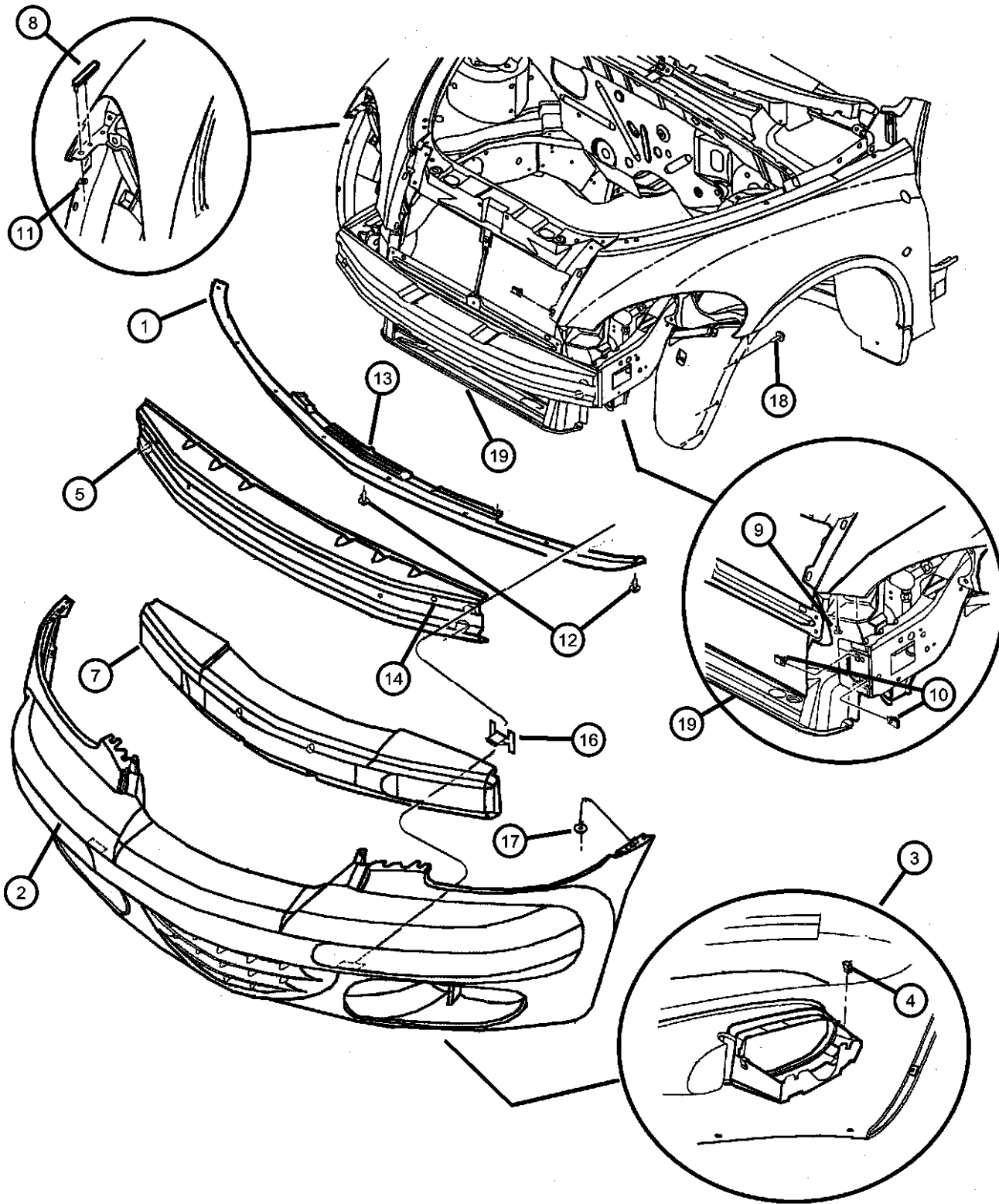
BODY
44 = Four Door

ENGINE TRANSMISSION
ECC = ENGINE - 2.0L 4 CYL DOHC 16V SMPI DGL = TRANSMISSION - 4-SPD. AUTOMATIC, 41TE
EDZ = ENGINE - 2.4L 4 CYL DOHC 16V SMPI DD5 = TRANSMISSION - 5-SPEED MANUAL
DDO = All Manual Transmissions
DGO = All Automatics

AR = use ase required - = Non illustrated part

2001 PT

Fascia, Front
Figure 13-205



| ITEM | PART NUMBER | QTY | LINE | SERIES | BODY | ENGINE | TRANS | TRIM | DESCRIPTION |
|------|-------------|-----|------|--------|------|--------|-------|------|-------------|
|------|-------------|-----|------|--------|------|--------|-------|------|-------------|

NOTE:
Sales Codes:
MLB = FASCIA - FRONT, ACCENT/BODY COLOR

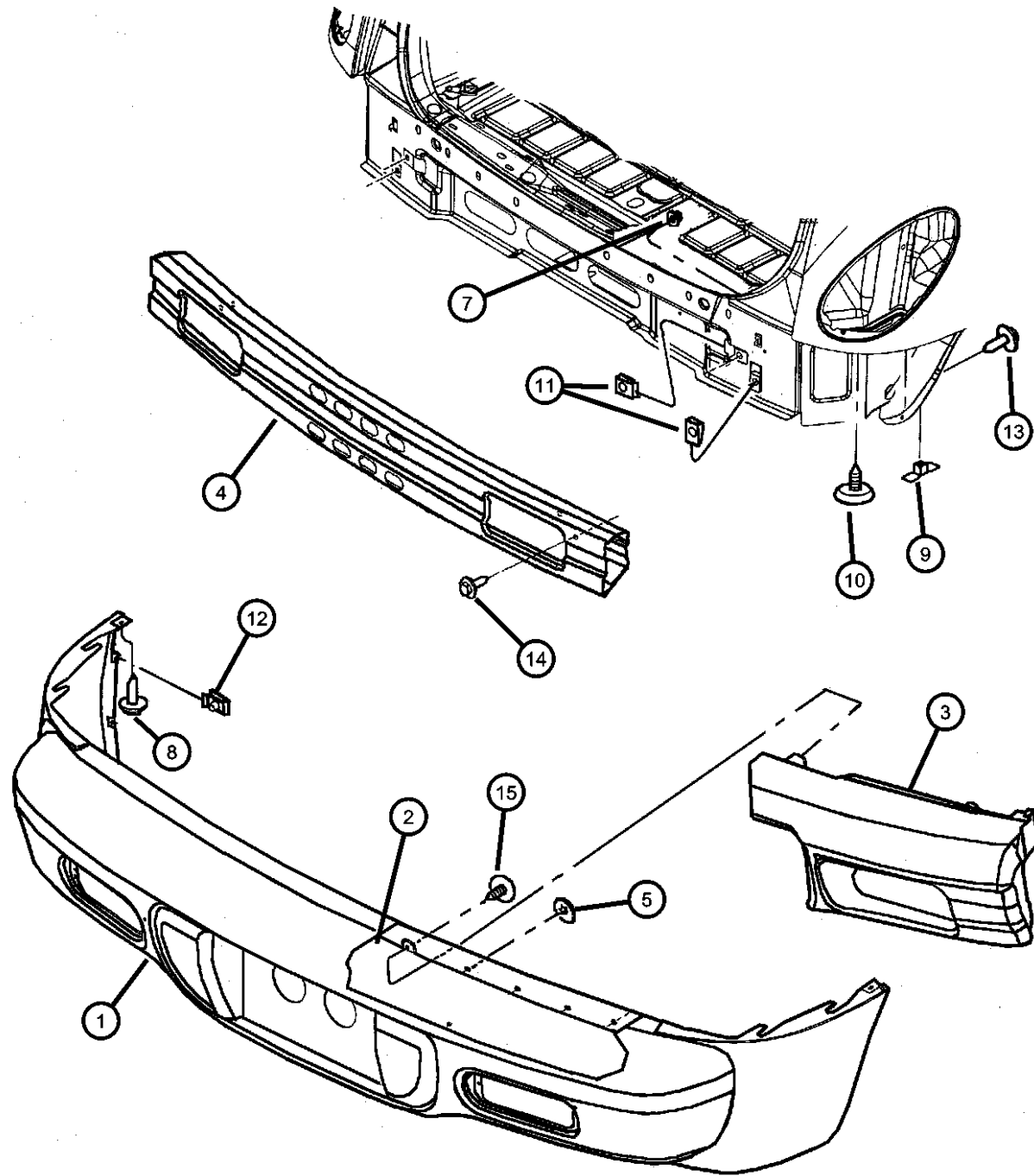
| | | | | | | | | | |
|-----|------------|---|--|--|---|--|--|--|--|
| 1 | 05288792AA | 1 | | | | | | | AIR DAM |
| 2 | 05017861AA | 1 | | | | | | | FASCIA, Front, Primed, Accent/Body Color [MLB] |
| 3 | | | | | | | | | PLUG, Front Fascia |
| | 05288850AA | 1 | | | | | | | Right |
| | 05288851AA | 1 | | | | | | | Left |
| 4 | 06036179AA | 4 | | | | | | | CLIP, U Type, Plug to Fascia |
| 5 | | | | | | | | | REINFORCEMENT, Front Bumper |
| | 05288789AC | 1 | | | | | | | EXPORT |
| | 05303438AB | 1 | | | | | | | EXPORT |
| -6 | 06503195 | 4 | | | | | | | NUT, Reinforcement to Rail |
| 7 | 05288790AA | 1 | | | | | | | FOAM, Front Bumper Fascia |
| 8 | 05288791AA | 2 | | | | | | | RETAINER, Fascia, Fascia to Fender Att |
| 9 | 04805405AB | 4 | | | | | | | FASTENER, Fascia, Fascia to Fender Pnl Att |
| 10 | 04805405AB | 4 | | | | | | | NUT, U Multi Thread, Bumper Reinf to Rail, (NOT SERVICED) |
| 11 | 06100840 | 4 | | | | | | | NUT, Spring, With Frt Ret to Fender |
| 12 | 06506161AA | 2 | | | | | | | SCREW AND WASHER, Tapping Hex Head, M4.2x1.41x20 |
| 13 | 06505635AA | 2 | | | | | | | NUT, U Multi Thread, M4.2x1.41 |
| 14 | 06101793 | 4 | | | | | | | SCREW AND WASHER, Hex Head, M8x1.25x25, Header Point Frt |
| -15 | | | | | | | | | LICENSE PLATE, Package |
| | 05288793AA | 1 | | | C | | | | EXPORT |
| | 05288794AA | 1 | | | C | | | | EXPORT |
| | 05288877AA | 1 | | | Z | | | | EXPORT |
| 16 | 05303389AA | 2 | | | | | | | CLIP, Molding |
| 17 | 06100048 | 1 | | | | | | | NUT, Hex, M6x1.00, Fascia to Fender Panel Att |
| 18 | 06505628AA | 6 | | | | | | | SCREW AND WASHER, Tapping Hex Head, M4.2x1.41x20, Fascia to Splash Shiel Att |
| 19 | 04724477AB | 1 | | | | | | | CROSSMEMBER, Radiator, Support, Lower |

PT CRUISER (PT)

| SERIES | LINE | BODY | ENGINE | TRANSMISSION |
|--------------|---|----------------|--|--|
| H = HIGHLINE | Z = CHRYSLER (RHD) C = CHRYSLER, LHD | 44 = Four Door | ECC = ENGINE - 2.0L 4 CYL DOHC 16V SMPI EDZ = ENGINE - 2.4L 4 CYL DOHC 16V SMPI | DGL = TRANSMISSION - 4-SPD. AUTOMATIC, 41TE DD5 = TRANSMISSION - 5-SPEED MANUAL DDO = All Manual Transmissions DGO = All Automatics |

AR = use ase required - = Non illustrated part

Fascia, Rear
Figure 13-305



| ITEM | PART NUMBER | QTY | LINE | SERIES | BODY | ENGINE | TRANS | TRIM | DESCRIPTION |
|------|-------------|-----|------|--------|------|--------|-------|------|-------------|
|------|-------------|-----|------|--------|------|--------|-------|------|-------------|

NOTE:

Sales Codes:

ABA = AUSTRALIA EQUIPMENT GROUP

ABB = EUROPEAN EQUIPMENT GROUP

ABL = LATIN AMERICA EQUIPMENT GROUP

MLL = FASCIA - REAR, ACCENT/BODY COLOR

MLP = FASCIA - REAR W/WIDE LICENSE POCKET

| | | | | | | | | | |
|----|------------|----|---|---|----|--|--|--|--|
| 1 | 05017870AA | 1 | | | | | | | FASCIA, Rear, Primed |
| | 05017871AA | 1 | | | | | | | Service Dealer Paint, Accent/Body Color [MLL] [ABA,ABB,ABL,MLP] Wide License Pocket - EXPORT |
| 2 | 82205445 | 1 | C | H | 44 | | | | PAD, Step Bumper |
| 3 | 05288898AA | 1 | | | | | | | FOAM, Rear Bumper Fascia [MLL], Right |
| | 05288899AB | 1 | | | | | | | [MLL], Left |
| | 05288900AA | 1 | | | | | | | [ABB,ABL,MLP] Wide License Pocket - EXPORT, Right |
| | 05288901AA | 1 | | | | | | | [ABB,ABL,MLP] Wide License Pocket - EXPORT, Left |
| 4 | 05288785AA | 1 | | | | | | | REINFORCEMENT, Rear Bumper |
| 5 | 06100840 | 4 | | | | | | | NUT, Spring, Stud Plate ro RR Fascia |
| -6 | 05288891AA | 2 | | | | | | | RETAINER, Rear Fascia, Stud Plate |
| 7 | 06100048 | 1 | | | | | | | NUT, Hex, M6x1.00, Stud Plate to Fascia |
| 8 | 06506161AA | 2 | | | | | | | SCREW AND WASHER, Tapping Hex Head, M4.2x1.41x20, RR Fascia to Fender |
| 9 | 06506161AA | 2 | | | | | | | NUT, Spring, (NOT SERVICED) |
| 10 | 04805405AB | 4 | | | | | | | FASTENER, Fascia, RR Fascia to BSA |
| 11 | 06503195 | 4 | | | | | | | NUT, Bulkhead/Beam |
| 12 | 06505635AA | 6 | | | | | | | NUT, U Multi Thread, M4.2x1.41, RR Fascia tp Splash |
| 13 | 06505628AA | 10 | | | | | | | SCREW AND WASHER, Tapping Hex Head, M4.2x1.41x20, Splash Shield to Fascia |
| 14 | 06101793 | 4 | | | | | | | SCREW AND WASHER, Hex Head, M8x1.25x25, RR Reinforcemnt Biw |

PT CRUISER (PT)

| SERIES | LINE | BODY | ENGINE | TRANSMISSION |
|--------------|---|----------------|--|---|
| H = HIGHLINE | Z = CHRYSLER (RHD) C = CHRYSLER, LHD | 44 = Four Door | ECC = ENGINE - 2.0L 4 CYL DOHC 16V SMPI EDZ = ENGINE - 2.4L 4 CYL DOHC 16V SMPI | DGL = TRANSMISSION - 4-SPD. AUTOMATIC,41TE DD5 = TRANSMISSION - 5-SPEED MANUAL DDO = All Manual Transmissions DGO = All Automatics |

AR = use ase required - = Non illustrated part

2001 PT

Fascia, Rear
Figure 13-305

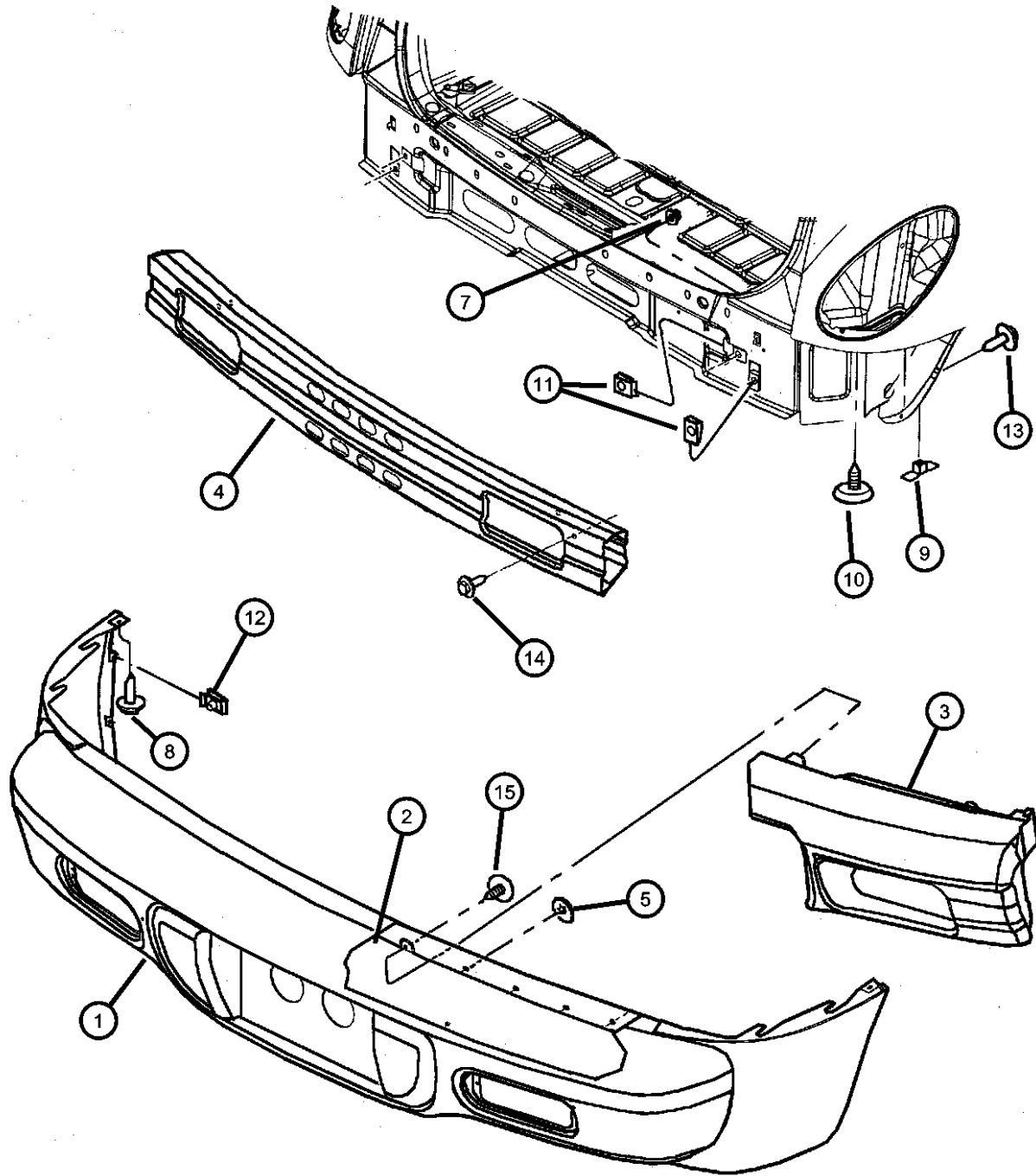
| ITEM | PART NUMBER | QTY | LINE | SERIES | BODY | ENGINE | TRANS | TRIM | DESCRIPTION |
|------|-------------|-----|------|--------|------|--------|-------|------|-------------|
|------|-------------|-----|------|--------|------|--------|-------|------|-------------|

15 06503819 2

SCREW, Special Head Plastic, M3.80x3.60x36.50, RR Fascia to Foam Attach

-16 06032731 2

RIVET, Blind, .125x.320, Plate to Fascia Att



PT CRUISER (PT)

SERIES LINE
H = HIGHLINE Z = CHRYSLER (RHD)
C = CHRYSLER, LHD

BODY
44 = Four Door

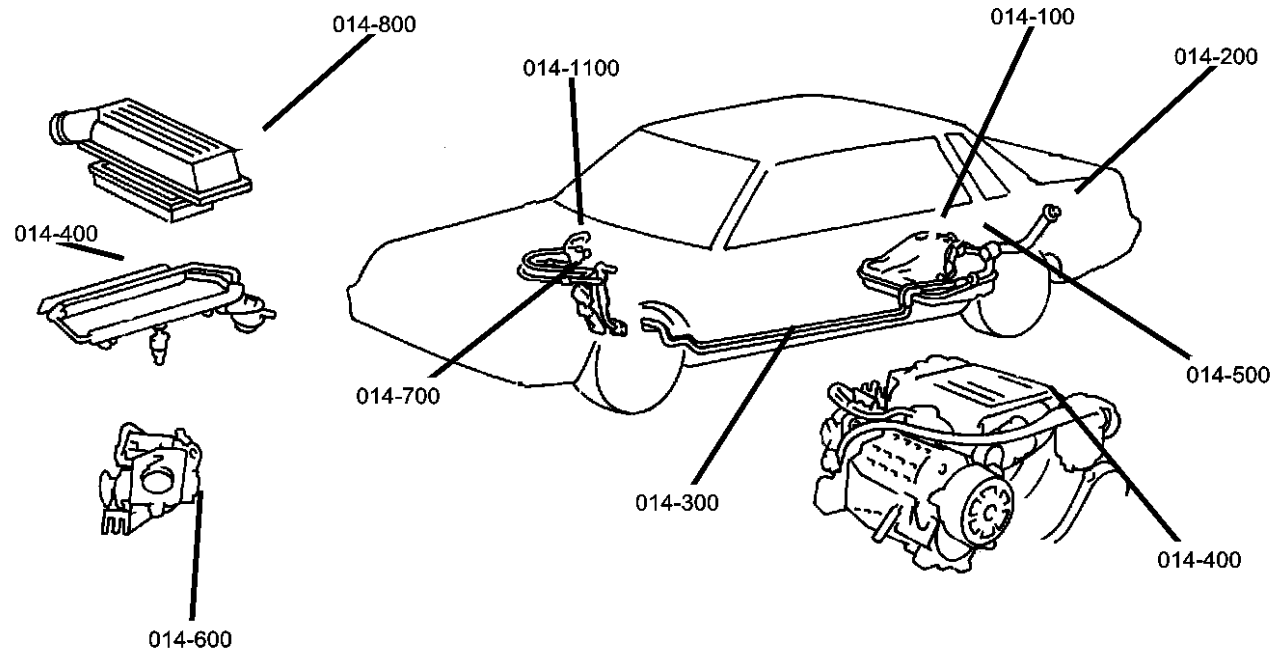
ENGINE TRANSMISSION
ECC = ENGINE - 2.0L 4 CYL DOHC 16V SMPI DGL = TRANSMISSION - 4-SPD. AUTOMATIC, 41TE
EDZ = ENGINE - 2.4L 4 CYL DOHC 16V SMPI DD5 = TRANSMISSION - 5-SPEED MANUAL
DDO = All Manual Transmissions
DGO = All Automatics

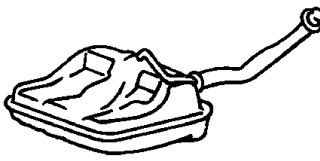
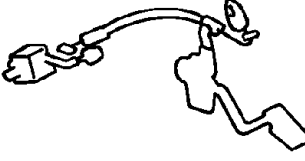


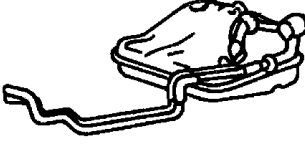
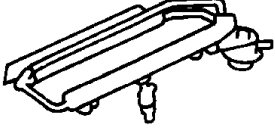
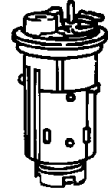

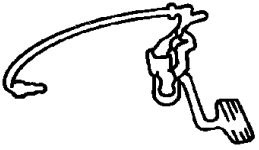
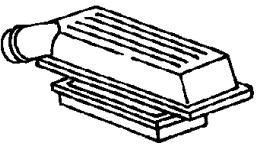
AR = use ase required - = Non illustrated part

2001 PT

Group - 14

Fuel



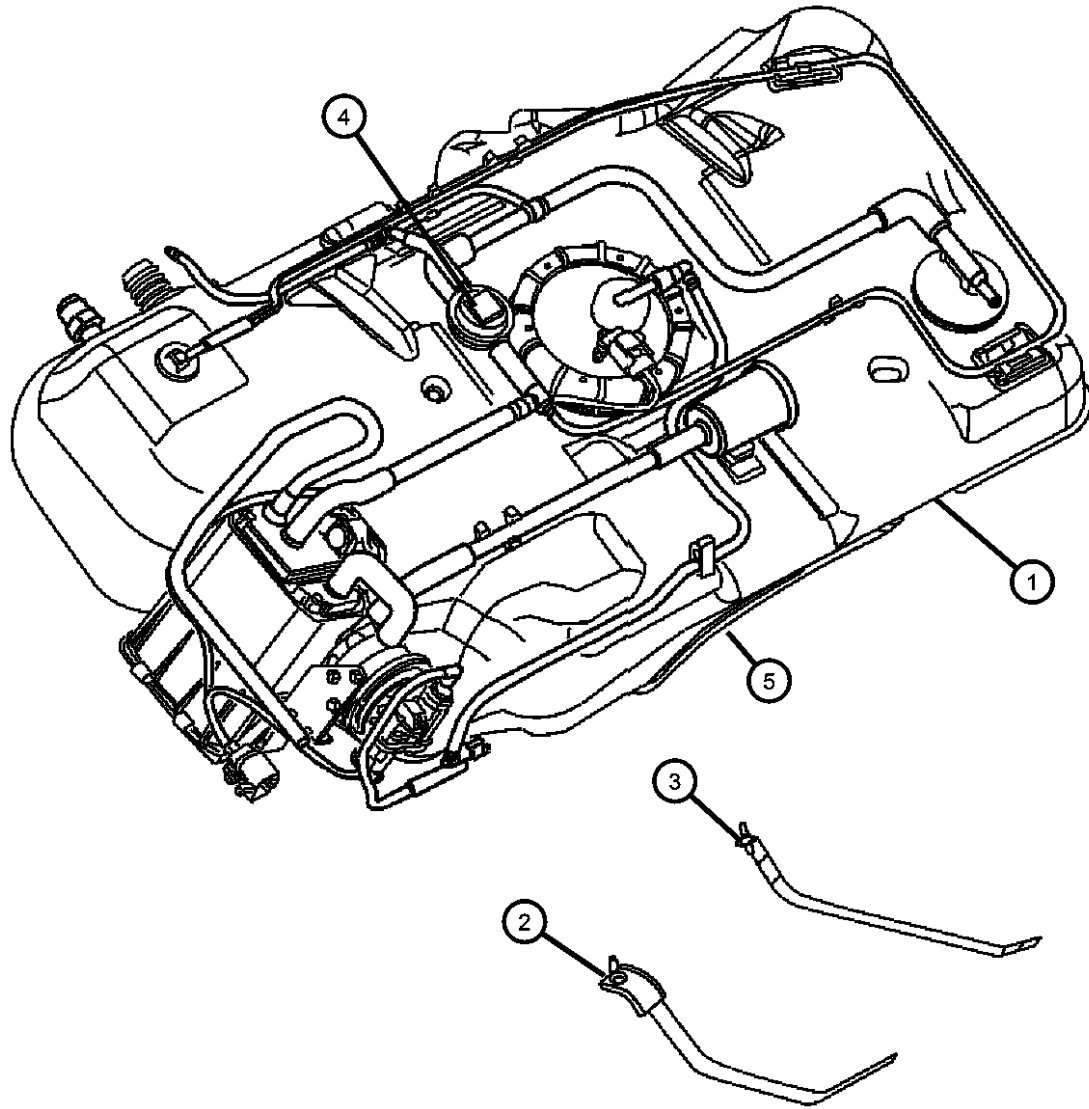
| | | | |
|--|---|---|--|
| 014-100 Tank, Fuel  | 014-1000 Speed Control  | 014-1100 Accelerator Pedal  | 014-200 Fuel Tank Filler Tube  |
| 014-300 Fuel Lines  | 014-400 Fuel Rail  | 014-500 Fuel Pump and Sending Unit  | 014-600 Throttle Body  |
| 014-700 Throttle Controls  | 014-800 Air Cleaner  | | |

Group - 14 Fuel

| Illustration Title | Group-Fig. No. |
|-----------------------------------|----------------|
| Tank, Fuel | |
| Fuel Tank | Fig. 14 - 110 |
| Fuel Tank Filler Tube | |
| Fuel Filler Tube | Fig. 14 - 210 |
| Fuel Lines | |
| Fuel Lines | Fig. 14 - 310 |
| Fuel Rail | |
| Fuel Rail | Fig. 14 - 410 |
| Fuel Pump and Sending Unit | |
| Fuel Pump and Sending Unit | Fig. 14 - 510 |
| Throttle Body | |
| Throttle Body | Fig. 14 - 610 |
| Throttle Controls | |
| Throttle Controls | Fig. 14 - 710 |
| Air Cleaner | |
| Air Cleaner | Fig. 14 - 810 |
| Speed Control | |
| Speed Control | Fig. 14 - 1010 |
| Accelerator Pedal | |
| Accelerator Pedal | Fig. 14 - 1110 |

Fuel Tank
Figure 14-110

| ITEM | PART NUMBER | QTY | LINE | SERIES | BODY | ENGINE | TRANS | TRIM | DESCRIPTION |
|------|-------------|-----|------|--------|------|--------|-------|------|---------------------------------------|
| 1 | 05278543AB | 1 | | | | | | | TANK, Fuel |
| 2 | 05278184AA | 1 | | | | | | | STRAP, Fuel TankRight |
| 3 | 05278185AA | 1 | | | | | | | STRAP, Fuel TankLeft |
| 4 | 04581315AB | 1 | | | | | | | VALVE, Onboard Vapor Recovery Control |
| 5 | | | | | | | | | SHIELD, Fuel Tank Heat |
| | 05278546AA | 1 | | | | | | | [NAS,NAA,NAE] |
| | | 1 | | | | | | | [NA1,NA3] |



PT CRUISER (PT)

SERIES LINE
H = HIGHLINE Z = CHRYSLER (RHD)
C = CHRYSLER, LHD

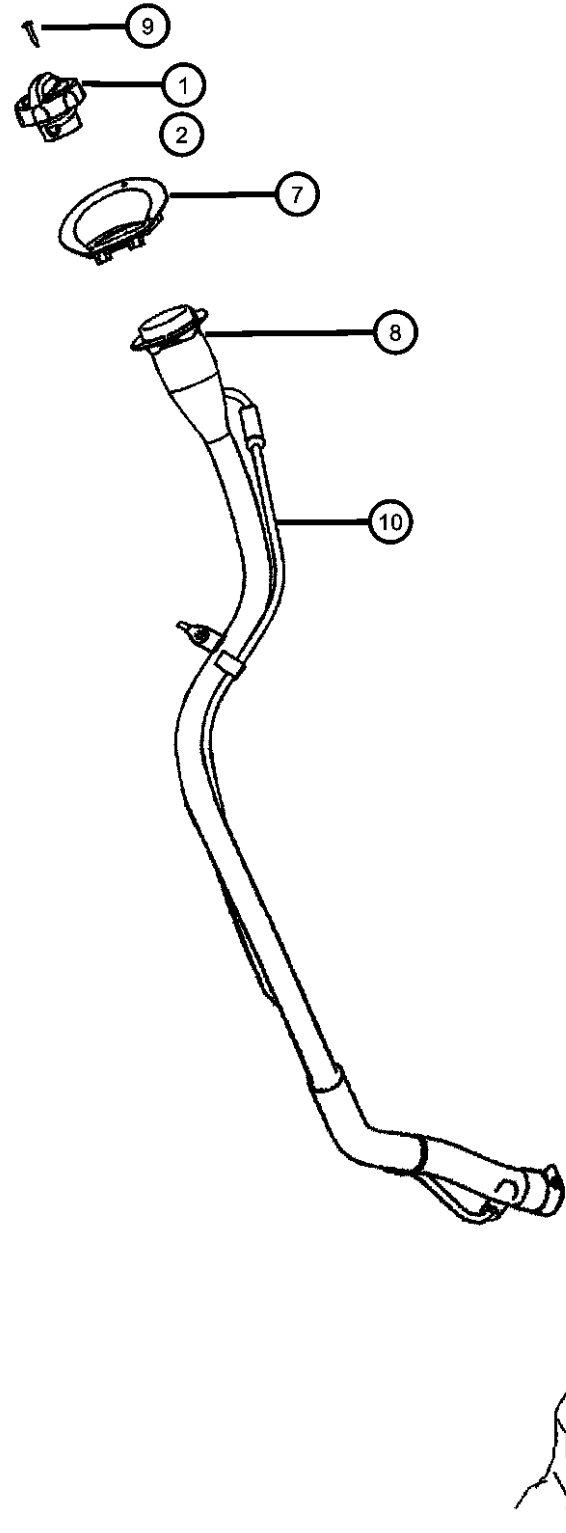
BODY
44 = Four Door

ENGINE TRANSMISSION
ECC = ENGINE - 2.0L 4 CYL DOHC 16V SMPI DGL = TRANSMISSION - 4-SPD. AUTOMATIC, 41TE
EDZ = ENGINE - 2.4L 4 CYL DOHC 16V SMPI DD5 = TRANSMISSION - 5-SPEED MANUAL
DDO = All Manual Transmissions
DGO = All Automatics

AR = use ase required - = Non illustrated part

2001 PT

Fuel Filler Tube
Figure 14-210



| ITEM | PART NUMBER | QTY | LINE | SERIES | BODY | ENGINE | TRANS | TRIM | DESCRIPTION |
|------|-------------|-----|------|--------|------|--------|-------|------|-------------|
|------|-------------|-----|------|--------|------|--------|-------|------|-------------|

NOTE: Locking Gas Cap cannot be rekeyed after assy. 5015636AA is a package containing Gas Cap and Lock Cylinder Uninstalled. Dealer Responsibility.

NOTE: Sales Code:

[ECC] = 2.0L 4 Cylinder DOHC 16V SMPI

[EDJ] = 2.2L 4 Cylinder Turbo Diesel

[EDV] = 2.4L Inline 4 Cylinder DOHC 16V H.O. Turbo

[EDZ] = 2.4L 4 Cylinder 16V Smpi

[EJD] = 1.6L 4 Cylinder SOHC 16V SMPI

Sales Codes

[ECC]=2.0L 4 Cyl DOHC 16V

[EDZ]=2.4L 4 Cyl DOHC 16V

| | | | | | | | | | |
|-----|------------|---|--|--|--|----------|--|--|------------------------------------|
| 1 | 05278632AA | 1 | | | | | | | CAP, Fuel Filler |
| 2 | 05015636AA | 1 | | | | | | | CAP KIT, Fuel Tank Locking |
| -3 | 05257132 | 1 | | | | | | | TUMBLER, Ignition Number 1 |
| -4 | 05257133 | 1 | | | | | | | TUMBLER, Ignition Number 2 |
| -5 | 05257134 | 1 | | | | | | | TUMBLER, Ignition Number 3 |
| -6 | 05257135 | 1 | | | | | | | TUMBLER, Ignition Number 4 |
| 7 | 05278509AA | 1 | | | | | | | HOUSING, Fuel Filler |
| 8 | 05278188AA | 1 | | | | ECC, EDZ | | | TUBE, Fuel Filler |
| 9 | 00154806 | 3 | | | | | | | SCREW, Round Head, .164-15x1.00 |
| 10 | 05278539AA | 1 | | | | ECC, EDZ | | | HOSE, Fuel Filler Tube |
| -11 | 05278773AA | 1 | | | | ECC, EDZ | | | VALVE, Check |

PT CRUISER (PT)

SERIES

H = HIGHLINE

LINE

Z = CHRYSLER (RHD)

C = CHRYSLER, LHD

BODY

44 = Four Door

ENGINE

ECC = ENGINE - 2.0L 4 CYL

DOHC 16V SMPI

EDZ = ENGINE - 2.4L 4 CYL

DOHC 16V SMPI

TRANSMISSION

DGL = TRANSMISSION - 4-SPD.

AUTOMATIC, 41TE

DD5 = TRANSMISSION - 5-SPEED

MANUAL

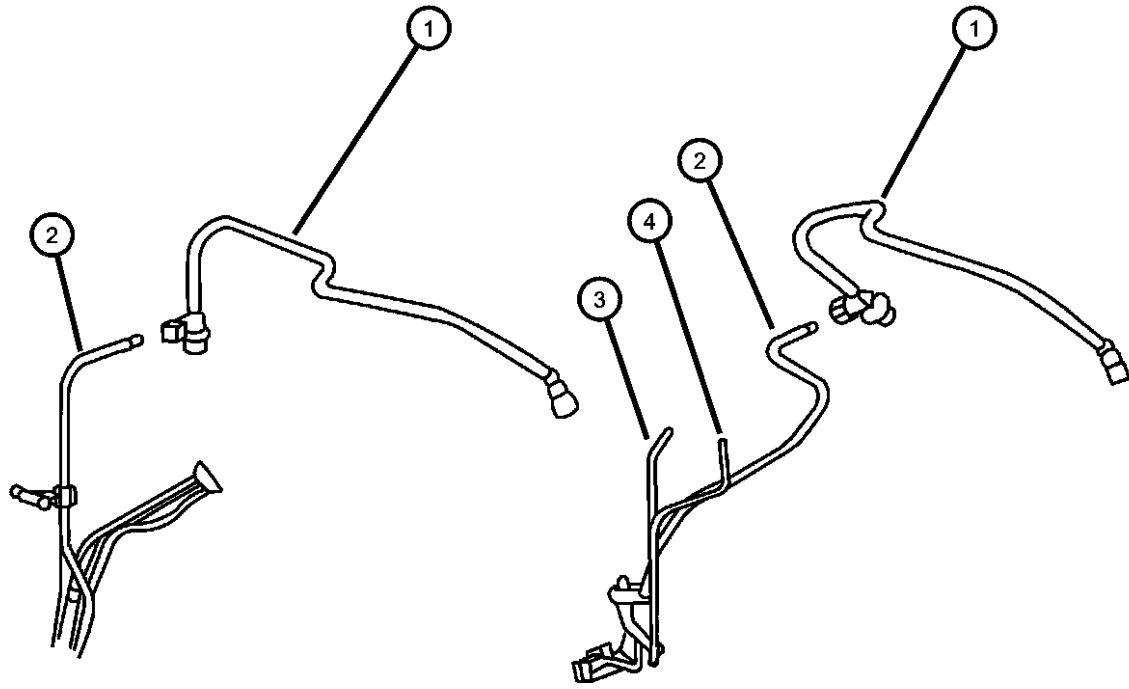
DDO = All Manual Transmissions

DGO = All Automatics

AR = use ase required - = Non illustrated part

2001 PT

Fuel Lines
Figure 14-310



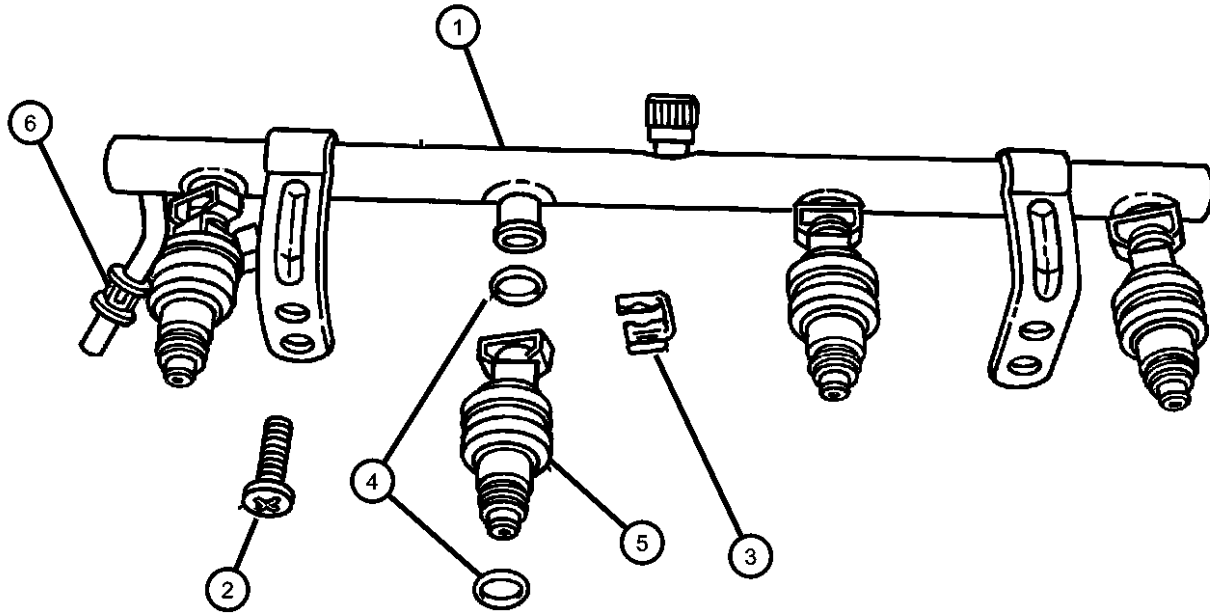
| ITEM | PART NUMBER | QTY | LINE | SERIES | BODY | ENGINE | TRANS | TRIM | DESCRIPTION |
|--|-------------|-----|------|--------|------|----------|-------|------|---|
| NOTE: Sales Codes [ECC]=2.0L DOHC Engine [EDZ]=2.4L Engine | | | | | | | | | |
| 1 | 05278260AA | 1 | C | | | ECC, EDZ | | | TUBE, Fuel Supply Up To [05-15-00] |
| | 05278529AA | 1 | Z | | | ECC, EDZ | | | Right Hand Drive |
| | 05278844AA | 1 | C | | | | | | After [05-15-00], Fuel Lines To Rail Front |
| 2 | 05017425AA | 1 | C | | | | | | TUBE, Fuel Supply Chassis Fuel Bundle |
| | 05017429AA | 1 | Z | | | ECC | | | Right Hand Drive |
| 3 | 05017426AA | 1 | C | | | | | | TUBE, Fuel Vapor Chassis Fuel Bundle |
| | 05017428AA | 1 | Z | | | ECC | | | Right Hand Drive |
| 4 | 05017427AA | 1 | C | | | | | | TUBE, VacuumChassis Fuel Bundle |
| -5 | 04495636 | 3 | Z | | | ECC | | | CLIP, Fuel Tube |
| | | 3 | C | | | | | | |
| | 05278179AB | 1 | Z | | | ECC | | | 7 Tube Dash |
| | | 1 | C | | | | | | 7 Tube Dash |
| | 05278182AB | 1 | C | | | | | | 4 Tube |
| | 05278218AB | 1 | Z | | | ECC | | | 4 Tube Dash |
| -6 | 05278699AA | 5 | C | | | | | | CLIP, Fuel Bundle 5 Tube |
| | 05278729AA | 1 | C | | | | | | 1 Tube Dash |
| | 05278609AA | 2 | Z | | | ECC | | | Rail Kick Up |
| | | 2 | C | | | | | | Rail Kick Up |
| | | 5 | Z | | | ECC | | | 5 Tube |

PT CRUISER (PT)

| | | | | |
|--------------|---|----------------|--|--|
| SERIES | LINE | BODY | ENGINE | TRANSMISSION |
| H = HIGHLINE | Z = CHRYSLER (RHD) C = CHRYSLER, LHD | 44 = Four Door | ECC = ENGINE - 2.0L 4 CYL DOHC 16V SMPI EDZ = ENGINE - 2.4L 4 CYL DOHC 16V SMPI | DGL = TRANSMISSION - 4-SPD. AUTOMATIC, 41TE DD5 = TRANSMISSION - 5-SPEED MANUAL DDO = All Manual Transmissions DGO = All Automatics |

AR = use ase required - = Non illustrated part

Fuel Rail
Figure 14-410



| ITEM | PART NUMBER | QTY | LINE | SERIES | BODY | ENGINE | TRANS | TRIM | DESCRIPTION |
|------|-------------|-----|------|--------|------|--------|-------|------|-------------|
|------|-------------|-----|------|--------|------|--------|-------|------|-------------|

NOTE: Sales Codes
[ECC]=2.0L DOHC Engine
[EDZ]=2.4L Engine

| | | | | | | | | | |
|---|------------|---|--|--|--|----------|--|--|--|
| 1 | 05014312AA | 1 | | | | ECC | | | RAIL, Fuel |
| | | 1 | | | | EDZ | | | |
| 2 | 06101506 | 2 | | | | ECC, EDZ | | | BOLT AND CONED WASHER, M8x1.25x18 |
| 3 | 04418257 | 4 | | | | ECC | | | CLIP, Fuel Injector |
| | | 4 | | | | EDZ | | | |
| 4 | 04897125AA | 4 | | | | ECC | | | O RING KIT, Fuel Injector |
| | | 4 | | | | EDZ | | | |
| 5 | 04891345AA | 4 | | | | EDZ | | | INJECTOR, Fuel |
| | 68000875AA | 4 | | | | | | | Wholesale Bulk Injector Package - 70 pieces of 04891345AA |
| | | 4 | | | | ECC | | | |
| | 68000875AA | 4 | | | | | | | Wholesale Bulk Injector Package - 70 pieces of 04891345AA |
| 6 | | 4 | | | | | | | RETAINER, Quick Connect, 3/8, (NOT SERVICED) |

PT CRUISER (PT)

SERIES LINE
H = HIGHLINE Z = CHRYSLER (RHD)
 C = CHRYSLER, LHD

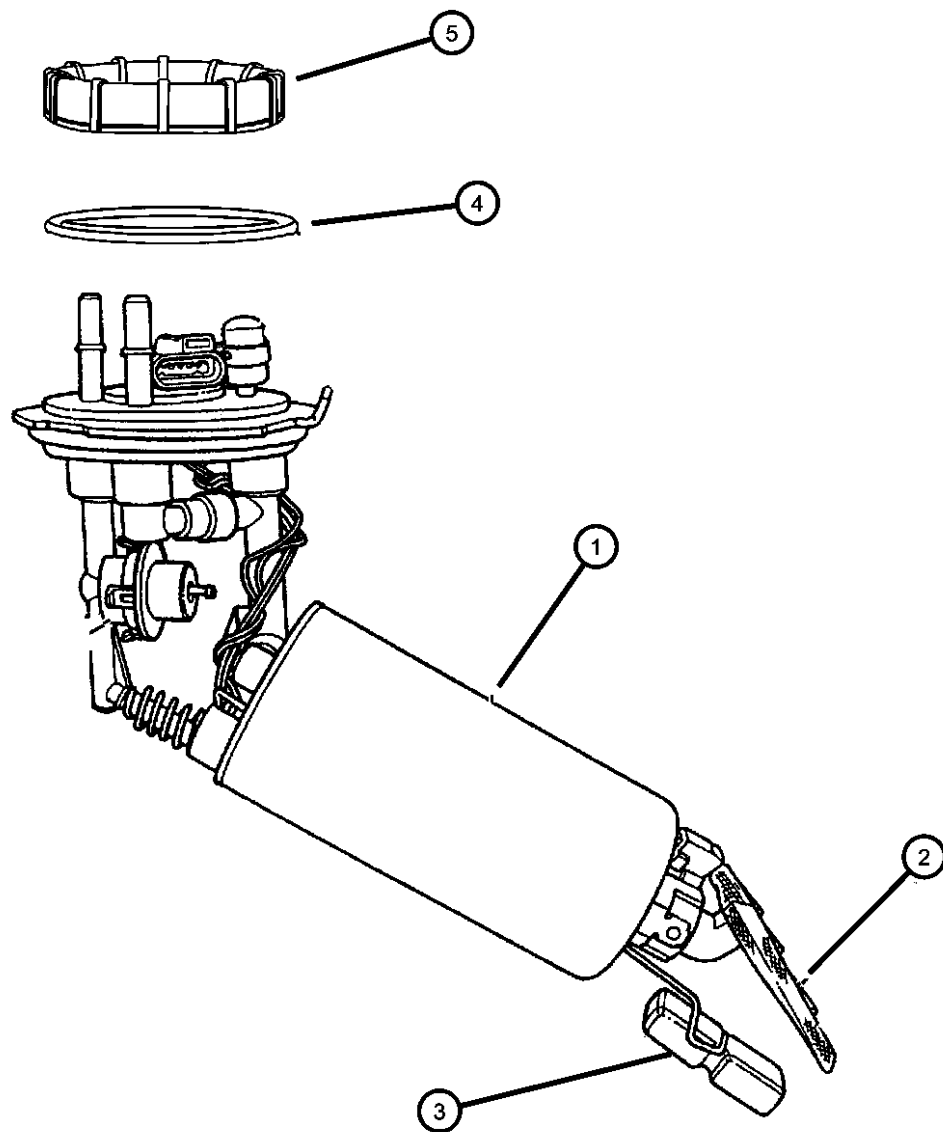
BODY
44 = Four Door

ENGINE TRANSMISSION
ECC = ENGINE - 2.0L 4 CYL DOHC 16V SMPI DGL = TRANSMISSION - 4-SPD. AUTOMATIC, 41TE
EDZ = ENGINE - 2.4L 4 CYL DOHC 16V SMPI DD5 = TRANSMISSION - 5-SPEED MANUAL
 DDO = All Manual Transmissions
 DGO = All Automatics

AR = use ase required - = Non illustrated part

Fuel Pump and Sending Unit
Figure 14-510

| ITEM | PART NUMBER | QTY | LINE | SERIES | BODY | ENGINE | TRANS | TRIM | DESCRIPTION |
|------|-------------|-----|------|--------|------|--------|-------|------|----------------------------------|
| 1 | 05017204AA | 1 | | | | | | | MODULE KIT, Fuel Pump/Level Unit |
| 2 | 05017204AA | 1 | | | | | | | FILTER KIT, Fuel, (NOT SERVICED) |
| 3 | 05017205AA | 1 | | | | | | | LEVEL UNIT KIT, Fuel |
| 4 | 04546692AB | 1 | | | | | | | SEAL, Fuel Pump and Level Unit |
| 5 | 05278718AA | 1 | | | | | | | NUT, Fuel Pump Module |



PT CRUISER (PT)

| | | | | |
|--------------|---|----------------|--|--|
| SERIES | LINE | BODY | ENGINE | TRANSMISSION |
| H = HIGHLINE | Z = CHRYSLER (RHD) C = CHRYSLER, LHD | 44 = Four Door | ECC = ENGINE - 2.0L 4 CYL DOHC 16V SMPI EDZ = ENGINE - 2.4L 4 CYL DOHC 16V SMPI | DGL = TRANSMISSION - 4-SPD. AUTOMATIC, 41TE DD5 = TRANSMISSION - 5-SPEED MANUAL DDO = All Manual Transmissions DGO = All Automatics |

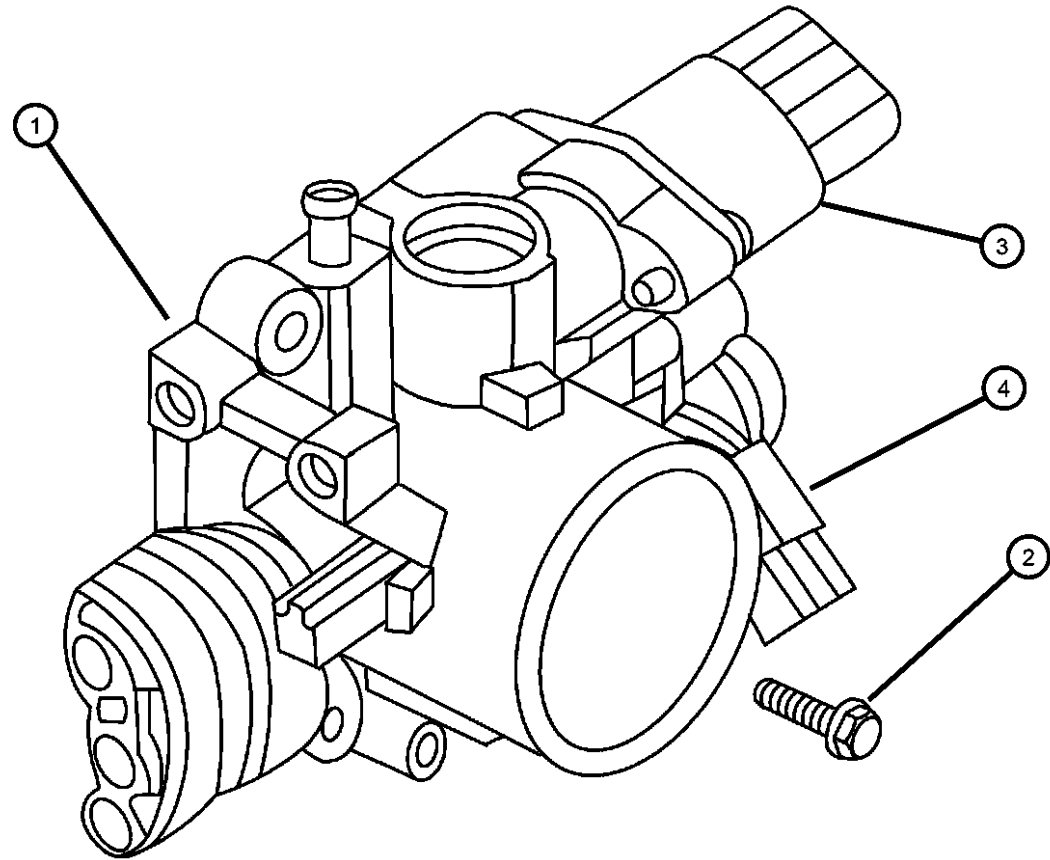
AR = use ase required - = Non illustrated part

2001 PT

**Throttle Body
Figure 14-610**

| ITEM | PART NUMBER | QTY | LINE | SERIES | BODY | ENGINE | TRANS | TRIM | DESCRIPTION |
|------|-------------|-----|------|--------|------|--------|-------|------|-------------|
|------|-------------|-----|------|--------|------|--------|-------|------|-------------|

NOTE: Sales Codes
 [DD5]=5 Speed Manual Trans
 [DGL]=4 Speed Automatic Trans.
 [ECC]=2.0L DOHC Engine.
 [EDZ]=2.4L DOHC Engine



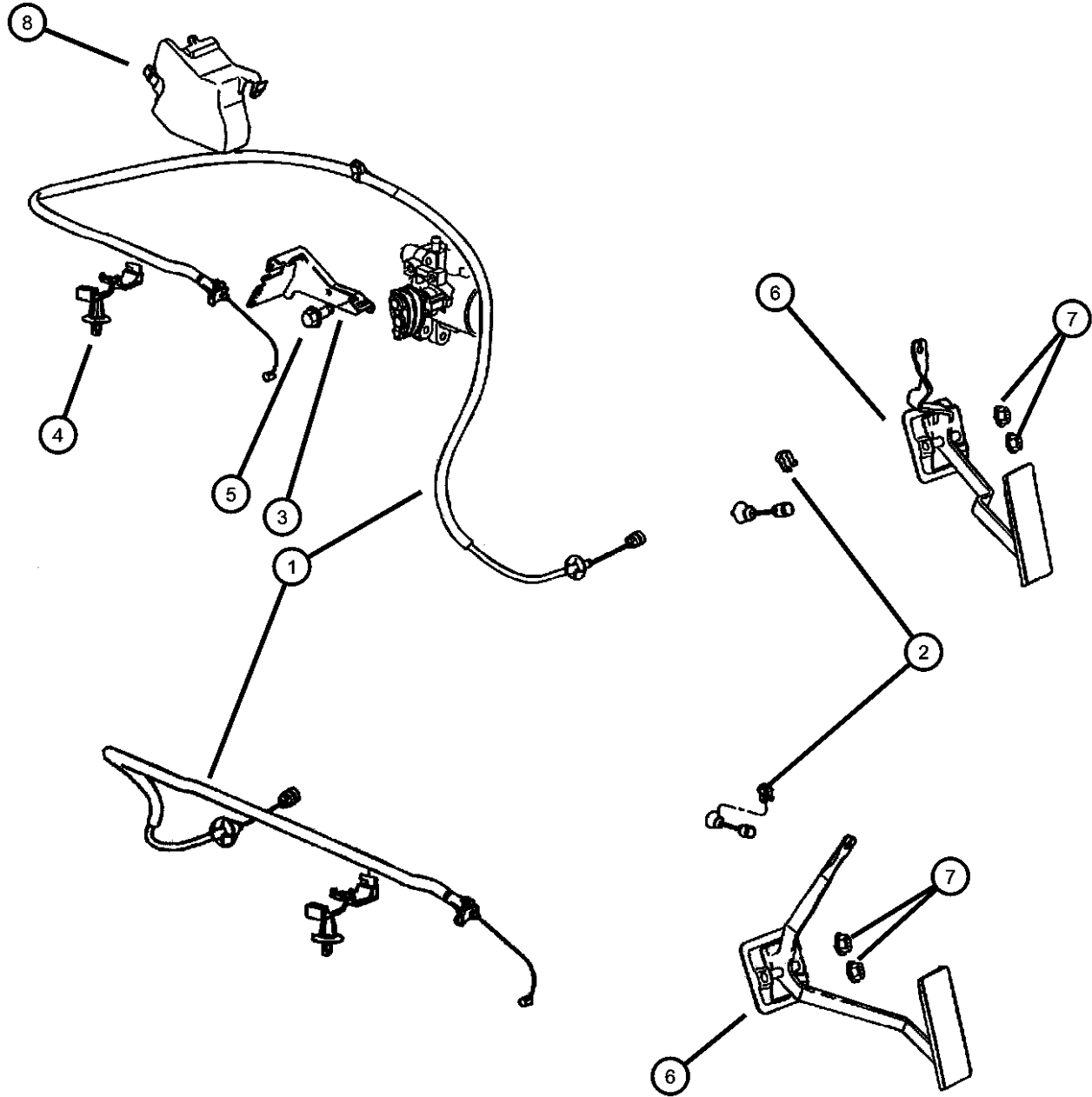
| | | | | | | | | | |
|----|------------|---|--|--|--|----------|-----|--|-------------------------------------|
| 1 | | | | | | | | | THROTTLE BODY |
| | 04891188AB | 1 | | | | ECC, EDZ | DGL | | Automatic Transmission |
| | 04891513AA | 1 | | | | ECC, EDZ | DD5 | | Manual Transmission |
| 2 | 06101451 | 3 | | | | ECC, EDZ | | | SCREW AND WASHER, Hex Head, M6x1x25 |
| 3 | | | | | | | | | MOTOR, A.I.S. |
| | 04591611AA | 1 | | | | ECC, EDZ | DGL | | |
| | | 1 | | | | ECC, EDZ | DD5 | | |
| 4 | | | | | | | | | SENSOR, Throttle Position |
| | 04606197 | 1 | | | | EDZ, ECC | DGL | | |
| | | 1 | | | | ECC, EDZ | DD5 | | |
| -5 | | | | | | | | | GASKET, Throttle Body |
| | 04777870AB | 1 | | | | EDZ | | | |
| | | 1 | | | | ECC | | | |

PT CRUISER (PT)

| | | | | |
|--------------|---|----------------|--|--|
| SERIES | LINE | BODY | ENGINE | TRANSMISSION |
| H = HIGHLINE | Z = CHRYSLER (RHD) C = CHRYSLER, LHD | 44 = Four Door | ECC = ENGINE - 2.0L 4 CYL DOHC 16V SMPI EDZ = ENGINE - 2.4L 4 CYL DOHC 16V SMPI | DGL = TRANSMISSION - 4-SPD. AUTOMATIC, 41TE DD5 = TRANSMISSION - 5-SPEED MANUAL DDO = All Manual Transmissions DGO = All Automatics |

AR = use ase required - = Non illustrated part

Throttle Controls
Figure 14-710



| ITEM | PART NUMBER | QTY | LINE | SERIES | BODY | ENGINE | TRANS | TRIM | DESCRIPTION |
|--|-------------|-----|------|--------|------|----------|-------|------|---|
| NOTE: Sales Codes [ECC]=2.0L DOHC Engine [EDZ]=2.4L Engine | | | | | | | | | |
| 1 | | | | | | | | | CABLE, Throttle Control |
| | 04891161AA | 1 | Z | | | ECC | | | |
| | 04891800AA | 1 | C | | | ECC, EDZ | | | |
| 2 | 05214613 | 1 | | | | | | | CLIP, Cable |
| 3 | 04891156AA | 1 | | | | | | | BRACKET, Accelerator Cable |
| 4 | 04891313AA | 1 | | | | | | | CLIP, Throttle Cables to Intake Manifold |
| 5 | 06501755 | 2 | | | | | | | SCREW AND WASHER, Hex Head, M6x1x16 |
| 6 | | | | | | | | | PEDAL, Accelerator |
| | 04891159AA | 1 | C | | | ECC, EDZ | | | |
| | 04891160AA | 1 | Z | | | ECC, EDZ | | | |
| 7 | 06502843 | 2 | | | | | | | NUT AND WASHER, Hex Nut-Coned Washer, M6 x 1.00 |
| 8 | 06502843 | 2 | | | | | | | SHIELD, Throttle Control, (NOT SERVICED) |
| -9 | 04759514AB | 1 | Z | | | | | | GROMMET |

PT CRUISER (PT)

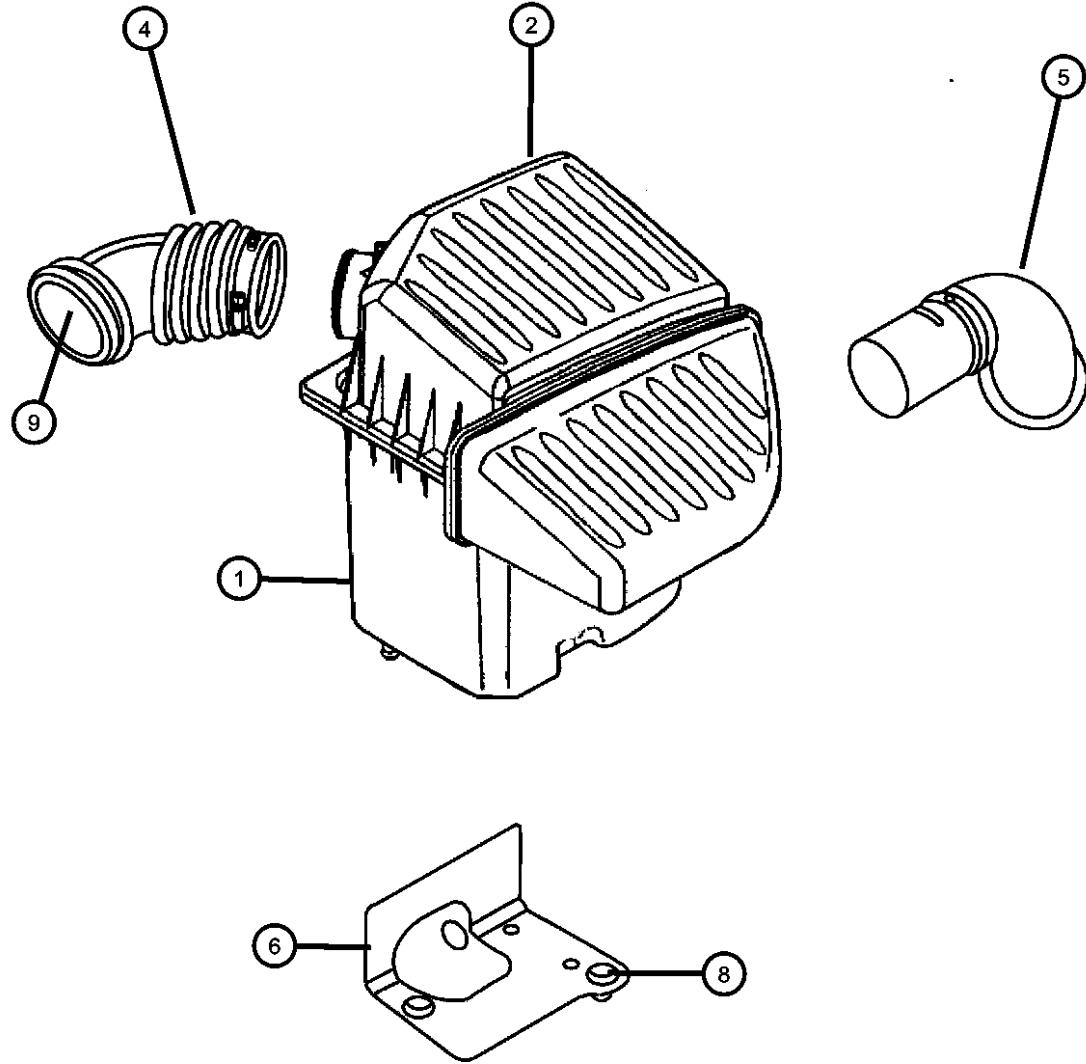
| | | | | |
|--------------|---|----------------|--|--|
| SERIES | LINE | BODY | ENGINE | TRANSMISSION |
| H = HIGHLINE | Z = CHRYSLER (RHD) C = CHRYSLER, LHD | 44 = Four Door | ECC = ENGINE - 2.0L 4 CYL DOHC 16V SMPI EDZ = ENGINE - 2.4L 4 CYL DOHC 16V SMPI | DGL = TRANSMISSION - 4-SPD. AUTOMATIC, 41TE DD5 = TRANSMISSION - 5-SPEED MANUAL DDO = All Manual Transmissions DGO = All Automatics |

AR = use ase required - = Non illustrated part

**Air Cleaner
Figure 14-810**

| ITEM | PART NUMBER | QTY | LINE | SERIES | BODY | ENGINE | TRANS | TRIM | DESCRIPTION |
|------|-------------|-----|------|--------|------|--------|-------|------|-------------|
|------|-------------|-----|------|--------|------|--------|-------|------|-------------|

NOTE: Sales Coees
[ECC]=2.0L DOHC Engine
[EDZ]=2.4L Engine



| | | | | | | | | | |
|----|------------|---|--|--|--|----------|--|--|--|
| 1 | 05072190AA | 1 | | | | EDZ, ECC | | | BODY, Air Cleaner |
| 2 | 05017199AA | 1 | | | | ECC, EDZ | | | COVER, Air Cleaner |
| -3 | 04891176AA | 1 | | | | ECC, EDZ | | | FILTER, Air |
| | 77060016 | | | | | | | | Performance Cold Air System, PT, 2004-2006, 2.4L Turbo |
| | P4510476 | | | | | | | | Performance Air Filter, PT, 2001-2003, 2.4L |
| | P4510549 | | | | | | | | Performance Cold Air System, PT, 2003-2004, 2.4L Turbo |
| | P4510477 | | | | | | | | Performance Air Filter, PT, 2003-2003, 2.4L |
| 4 | 04891136AB | 1 | | | | ECC, EDZ | | | HOSE, Air Cleaner to T/Body |
| 5 | 04891330AC | 1 | | | | ECC, EDZ | | | HOSE, Fresh Air Duct |
| 6 | 04793737AC | 1 | | | | | | | BRACKET, Power Distribution Center |
| -7 | 04669177 | 2 | | | | | | | GROMMET, Air Cleaner Bracket |
| 8 | 06101455 | 2 | | | | | | | SCREW AND WASHER, Hex Head, M6x1x20 |
| 9 | 04606487AB | 1 | | | | ECC, EDZ | | | SENSOR, Charge Air Temp |

PT CRUISER (PT)

| | | | | |
|--------------|---|----------------|--|--|
| SERIES | LINE | BODY | ENGINE | TRANSMISSION |
| H = HIGHLINE | Z = CHRYSLER (RHD) C = CHRYSLER, LHD | 44 = Four Door | ECC = ENGINE - 2.0L 4 CYL DOHC 16V SMPI EDZ = ENGINE - 2.4L 4 CYL DOHC 16V SMPI | DGL = TRANSMISSION - 4-SPD. AUTOMATIC, 41TE DD5 = TRANSMISSION - 5-SPEED MANUAL DDO = All Manual Transmissions DGO = All Automatics |

AR = use ase required - = Non illustrated part

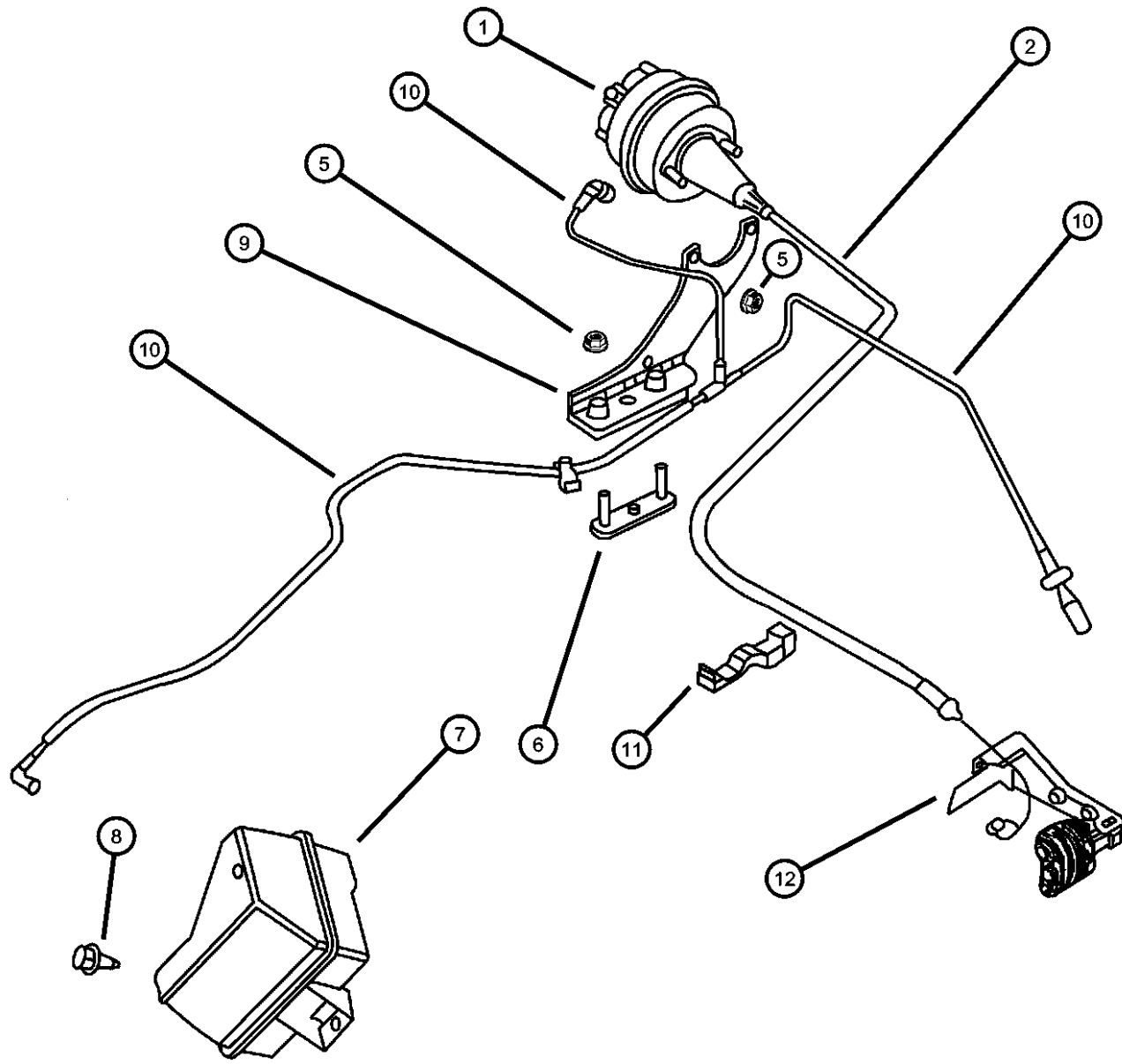
2001 PT

**Speed Control
Figure 14-1010**

| ITEM | PART NUMBER | QTY | LINE | SERIES | BODY | ENGINE | TRANS | TRIM | DESCRIPTION |
|------|-------------|-----|------|--------|------|--------|-------|------|-------------|
|------|-------------|-----|------|--------|------|--------|-------|------|-------------|

NOTE: Sales Codes
[ECC]=2.0L DOHC Engine
[EDZ]=2.4L Engine

| | | | | | | | | | |
|-----|------------|---|--|--|--|----------|--|--|--|
| 1 | 04669977 | 1 | | | | ECC, EDZ | | | SERVO, Speed Control |
| 2 | 04891144AA | 1 | | | | ECC, EDZ | | | CABLE, Speed Control |
| -3 | 06025867 | 1 | | | | ECC, EDZ | | | CLIP, Cable to Servo Attach |
| -4 | 06100840 | 2 | | | | ECC, EDZ | | | NUT, Spring |
| 5 | 06500274 | 4 | | | | | | | LOCK NUT, M6x1.0x6 |
| 6 | 04591046 | 1 | | | | ECC, EDZ | | | PLATE, Speed Control Servo |
| 7 | 04891403AA | 1 | | | | ECC, EDZ | | | RESERVOIR, Speed Control Vacuum |
| 8 | 06101976 | 2 | | | | ECC, EDZ | | | SCREW, Hex Flange Head, M6.3x1.81x16 |
| 9 | 04891362AA | 1 | | | | ECC, EDZ | | | BRACKET, Speed Control Servo |
| 10 | 04891147AA | 1 | | | | ECC, EDZ | | | HARNESS, Speed Control Vacuum |
| 11 | 04891313AA | 1 | | | | | | | CLIP, Throttle Cables to Intake Manifold |
| 12 | 04891156AA | 1 | | | | | | | BRACKET, Accelerator Cable |
| -13 | 03502916 | 2 | | | | ECC, EDZ | | | SPACER, Speed Control Servo |
| -14 | 05214613 | 1 | | | | | | | CLIP, Cable |
| -15 | 04592032 | 1 | | | | ECC, EDZ | | | ISOLATOR PAD, Speed Control Mounting |



PT CRUISER (PT)

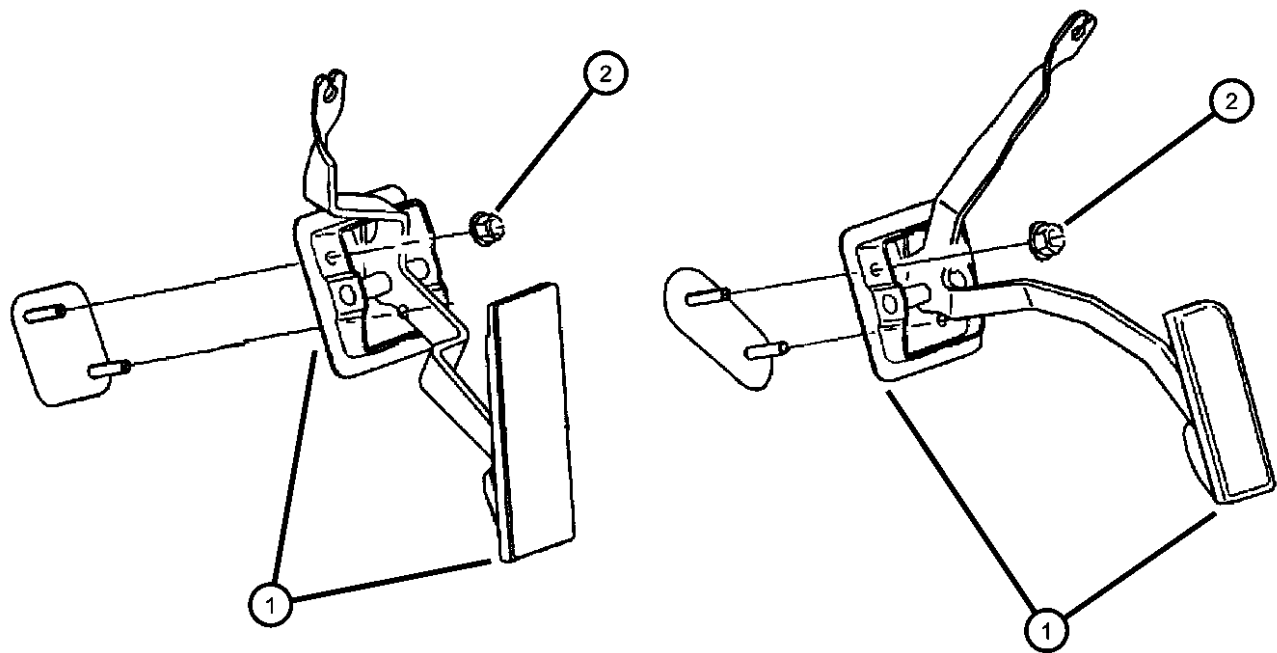
| SERIES | LINE | BODY | ENGINE | TRANSMISSION |
|--------------|---|----------------|--|--|
| H = HIGHLINE | Z = CHRYSLER (RHD) C = CHRYSLER, LHD | 44 = Four Door | ECC = ENGINE - 2.0L 4 CYL DOHC 16V SMPI EDZ = ENGINE - 2.4L 4 CYL DOHC 16V SMPI | DGL = TRANSMISSION - 4-SPD. AUTOMATIC, 41TE DD5 = TRANSMISSION - 5-SPEED MANUAL DDO = All Manual Transmissions DGO = All Automatics |

AR = use ase required - = Non illustrated part

2001 PT

**Accelerator Pedal
Figure 14-1110**

| ITEM | PART NUMBER | QTY | LINE | SERIES | BODY | ENGINE | TRANS | TRIM | DESCRIPTION |
|--|-------------|-----|------|--------|------|----------|-------|------|--|
| NOTE: Sales Codes [ECC]=2.0L DOHC Engine [EDZ]=2.4L Engine | | | | | | | | | |
| 1 | | | | | | | | | PEDAL, Accelerator |
| | 04891159AA | 1 | C | | | ECC, EDZ | | | |
| | 04891160AB | 1 | Z | | | ECC, EDZ | | | |
| 2 | | | | | | | | | NUT AND WASHER, Hex Nut-Coned Washer, M6 x 1.00 |
| | 06100047 | 1 | | | | EDZ | | | |
| | 06502843 | 2 | | | | | | | |



PT CRUISER (PT)

| | | | | |
|--------------|---|----------------|--|--|
| SERIES | LINE | BODY | ENGINE | TRANSMISSION |
| H = HIGHLINE | Z = CHRYSLER (RHD) C = CHRYSLER, LHD | 44 = Four Door | ECC = ENGINE - 2.0L 4 CYL DOHC 16V SMPI EDZ = ENGINE - 2.4L 4 CYL DOHC 16V SMPI | DGL = TRANSMISSION - 4-SPD. AUTOMATIC, 41TE DD5 = TRANSMISSION - 5-SPEED MANUAL DDO = All Manual Transmissions DGO = All Automatics |

AR = use ase required - = Non illustrated part

2001 PT

Group - 17

Rear Suspension

Group - 17 Rear Suspension

Group-Fig. No.

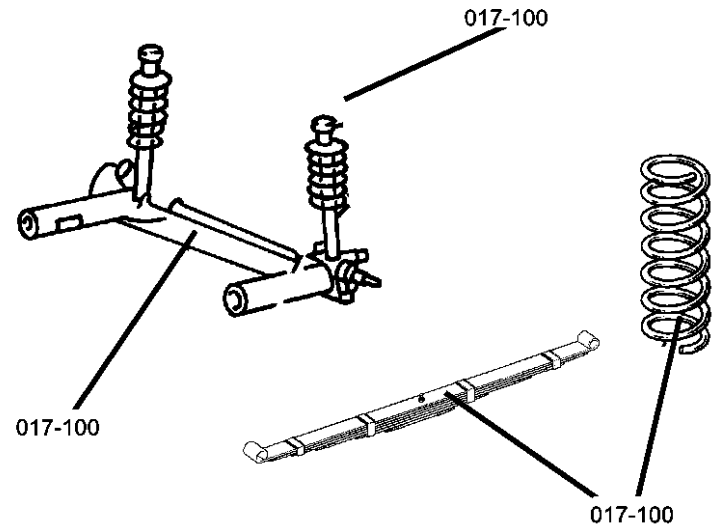
Illustration Title

Rear Suspension

Suspension, RearFig. 17 - 105

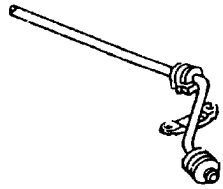
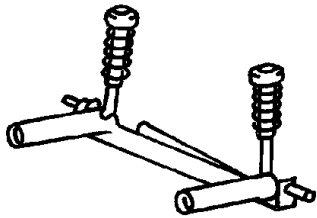
Rear Stabilizer

Sway Bar, Rear.....Fig. 17 - 205

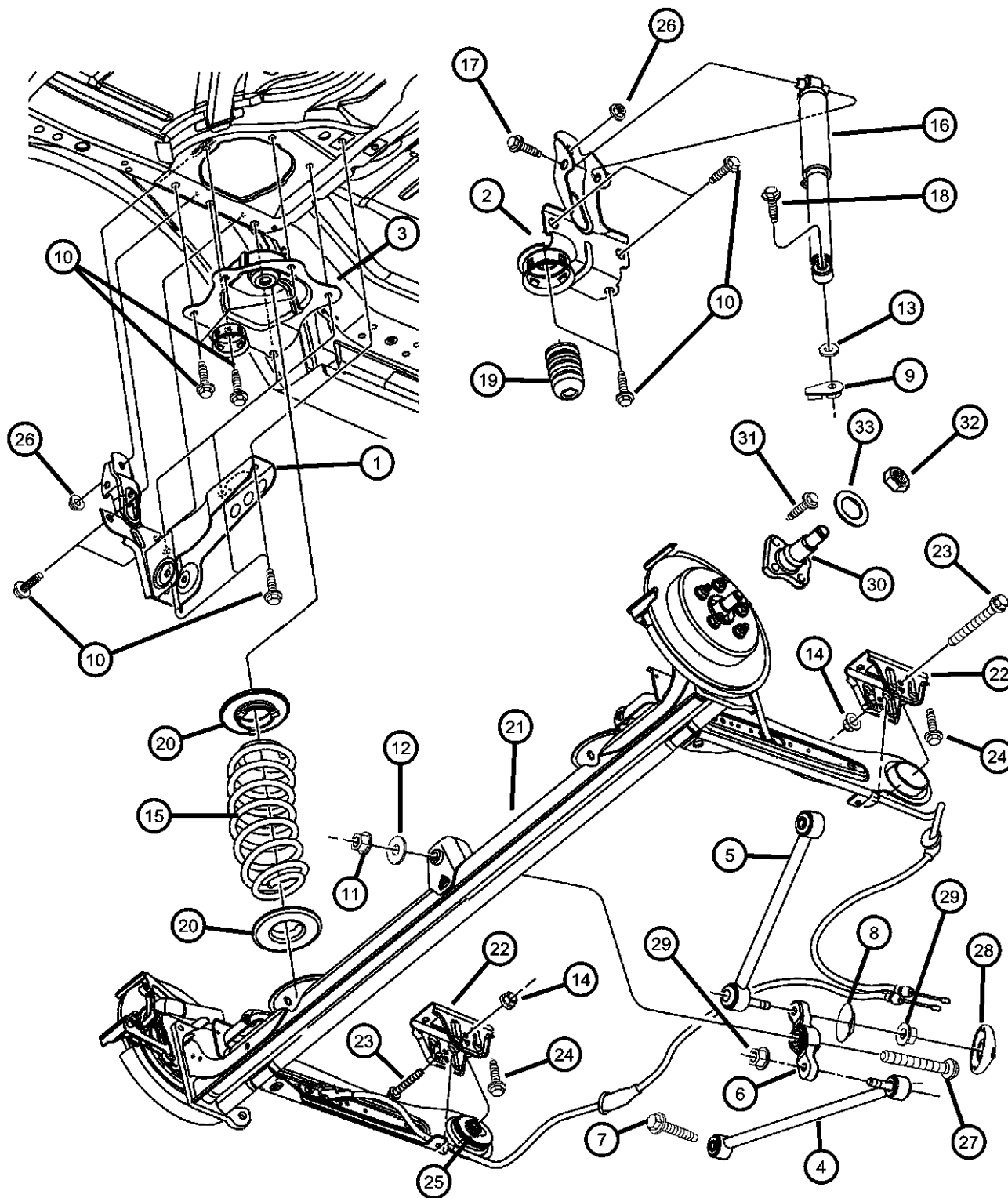


017-100
Rear Suspension

017-200
Rear Stabilizer



Suspension, Rear Figure 17-105



| ITEM | PART NUMBER | QTY | LINE | SERIES | BODY | ENGINE | TRANS | TRIM | DESCRIPTION |
|---|-------------|-----|------|--------|------|--------|-------|------|--|
| Note: Sales Codes [SDA]= NORMAL DUTY [SDC]= TOURING [SDE]= SPORT [SDF]= EURO [ZAU] Thur[ZXW]=Spring Group Types Found on Individual Vehical Sales Code Listing | | | | | | | | | |
| 1 | 04656444AB | 1 | | | | | | | BRACKET, Suspension |
| 2 | 04656562AA | 1 | | | | | | | BRACKET, Suspension |
| 3 | | | | | | | | | BRACKET, Suspension |
| | 04724859AA | 1 | | | | | | | Left |
| | 04724858AA | 1 | | | | | | | Right |
| 4 | 04656466AC | 1 | | | | | | | LINK, Sway EliminatorLower |
| 5 | 04656467AC | 1 | | | | | | | LINK, Sway EliminatorUpper |
| 6 | 04656465AF | 1 | | | | | | | LINK, Sway Eliminator |
| 7 | 06506771AA | 2 | | | | | | | SCREW AND WASHER, Hex Head, Watts to Bracket |
| 8 | 05272337AB | 1 | | | | | | | CAP, Pivot Bar |
| 9 | | | | | | | | | NUT, Hex |
| | 06506633AA | 2 | | | | | | | Shock to Axle |
| | 06506649AA | 1 | | | | | | | Upper Watts to Bracket |
| 10 | 06506027AA | 18 | | | | | | | SCREW, Hex Head, Brackets to Body |
| 11 | 06102176AA | 1 | | | | | | | NUT, Hex Lock, Bellcrank to Axle |
| 12 | 06502387 | 1 | | | | | | | WASHER, Flat, Bellcrank to Axle |
| 13 | 04656615AA | 2 | | | | | | | WASHER, Flat, Shock to Axle |
| 14 | 06502835 | 2 | | | | | | | NUT, Lock, Trailing Arm to Bracket |
| 15 | | | | | | | | | SPRING, Rear Coil |
| | 04656542AA | 1 | | | | | | | [SDF, SDC, SDA] [ZNS,ZAS] |
| | 04656541AA | 1 | | | | | | | [SDF, SDC, SDA] [ZNR,ZAR] |
| | 04656543AA | 1 | | | | | | | [SDF, SDC, SDA] [ZNT,ZAT] |
| | 04656544AA | 1 | | | | | | | [SDF, SDC, SDA] [ZNU,ZAU] |
| | 04656545AA | 1 | | | | | | | [SDF, SDC, SDA] [ZNV,ZAV] |
| 16 | | | | | | | | | SHOCK ABSORBER, Suspension |
| | 04656439AB | 2 | | | | | | | [SDC] |
| | 04656612AB | 2 | | | | | | | [SDF] |
| | 04656678AB | 2 | | | | | | | [SDA] |

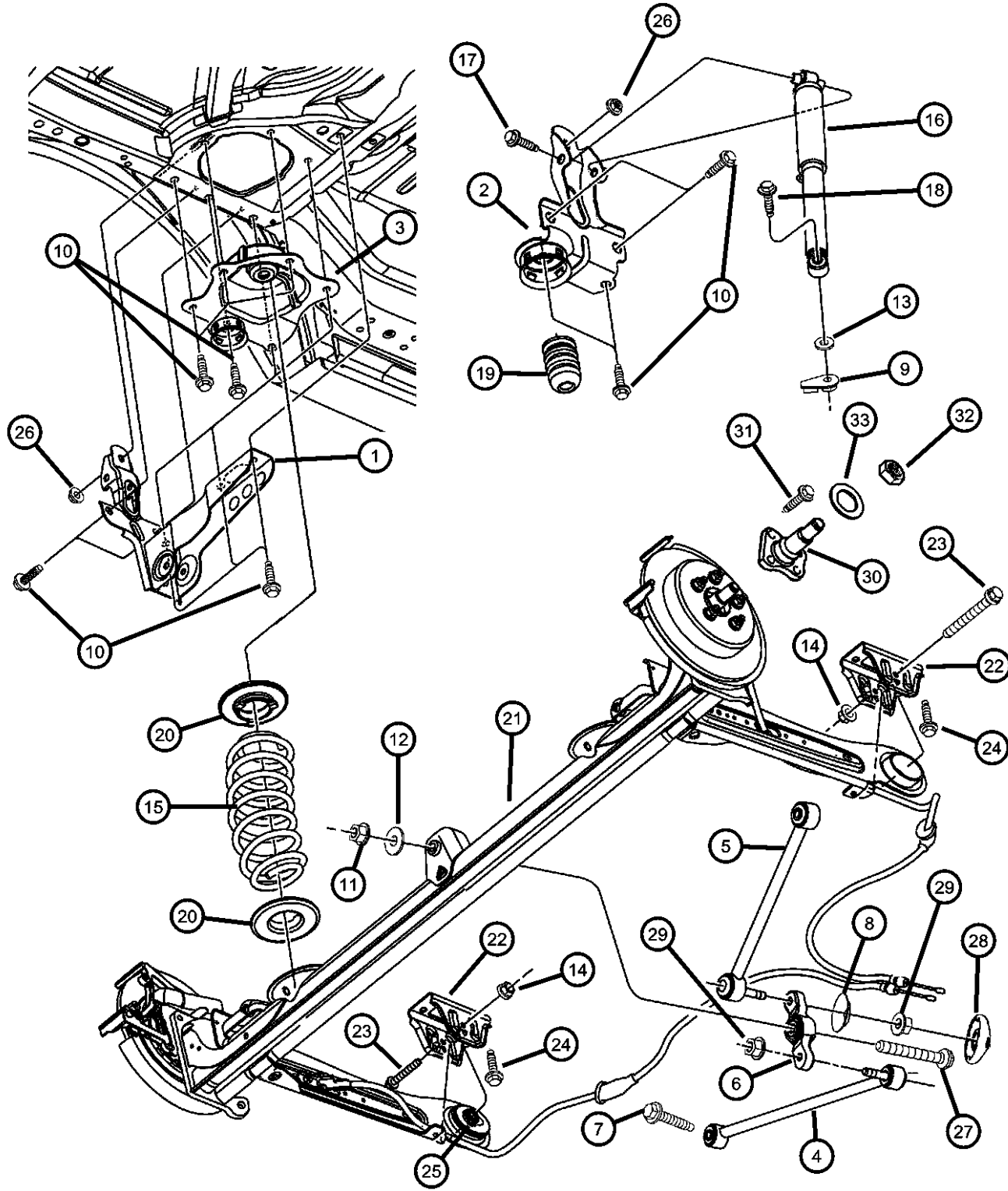
PT CRUISER (PT)

| SERIES | LINE | BODY | ENGINE | TRANSMISSION |
|--------------|---|----------------|--|--|
| H = HIGHLINE | Z = CHRYSLER (RHD) C = CHRYSLER, LHD | 44 = Four Door | ECC = ENGINE - 2.0L 4 CYL DOHC 16V SMPI EDZ = ENGINE - 2.4L 4 CYL DOHC 16V SMPI | DGL = TRANSMISSION - 4-SPD. AUTOMATIC, 41TE DD5 = TRANSMISSION - 5-SPEED MANUAL DDO = All Manual Transmissions DGO = All Automatics |

AR = use ase required - = Non illustrated part

2001 PT

Suspension, Rear
Figure 17-105



| ITEM | PART NUMBER | QTY | LINE | SERIES | BODY | ENGINE | TRANS | TRIM | DESCRIPTION |
|------|-------------|-----|------|--------|------|--------|-------|------|---|
| 17 | 06505770AA | 2 | | | | | | | SCREW, Hex Head, Shock to Bracket |
| 18 | 06101962 | 2 | | | | | | | BOLT, Hex Flange Head, Shock to Axle |
| 19 | 04656447AC | 2 | | | | | | | BUMPER, Jounce |
| 20 | 04656446AC | 4 | | | | | | | ISOLATOR, Spring |
| 21 | 05272550AF | 1 | | | | | | | AXLE, Rear |
| 22 | 04656442AC | 2 | | | | | | | BRACKET, Suspension Crossmember |
| 23 | 06506148AA | 2 | | | | | | | SCREW, Hex Head, Trailing Arm to Bracket |
| 24 | 06505729AA | 8 | | | | | | | SCREW, Hex Head, Trailing Arm Bracket |
| 25 | 05019044AA | 1 | | | | | | | BUSHING, Trailing Arm |
| 26 | 06507163AA | 2 | | | | | | | NUT AND WASHER, Hex, M12x1.75, Bracket to Body |
| 27 | 06506501AA | 1 | | | | | | | SCREW, Hex Head, Bellcrank to Axle |
| 28 | 04695221 | 1 | | | | | | | CAP, Pivot Bar |
| 29 | 06506276AA | 2 | | | | | | | NUT, Hex Flange Lock, M12x1.75, Upper Watts Link to Bellcrank |
| 30 | 04656448AB | 2 | | | | | | | SPINDLE, Rear |
| 31 | 06502146 | 8 | | | | | | | BOLT, Hex Head Spindle |
| 32 | 06502432 | 2 | | | | | | | LOCK NUT, Rear Spindle, M20-1.50 |
| 33 | 04509544 | 2 | | | | | | | SEAL, Brake Support |
| -34 | 04626165 | 1 | | | | | | | SHIM, Wheel Alignment |

PT CRUISER (PT)

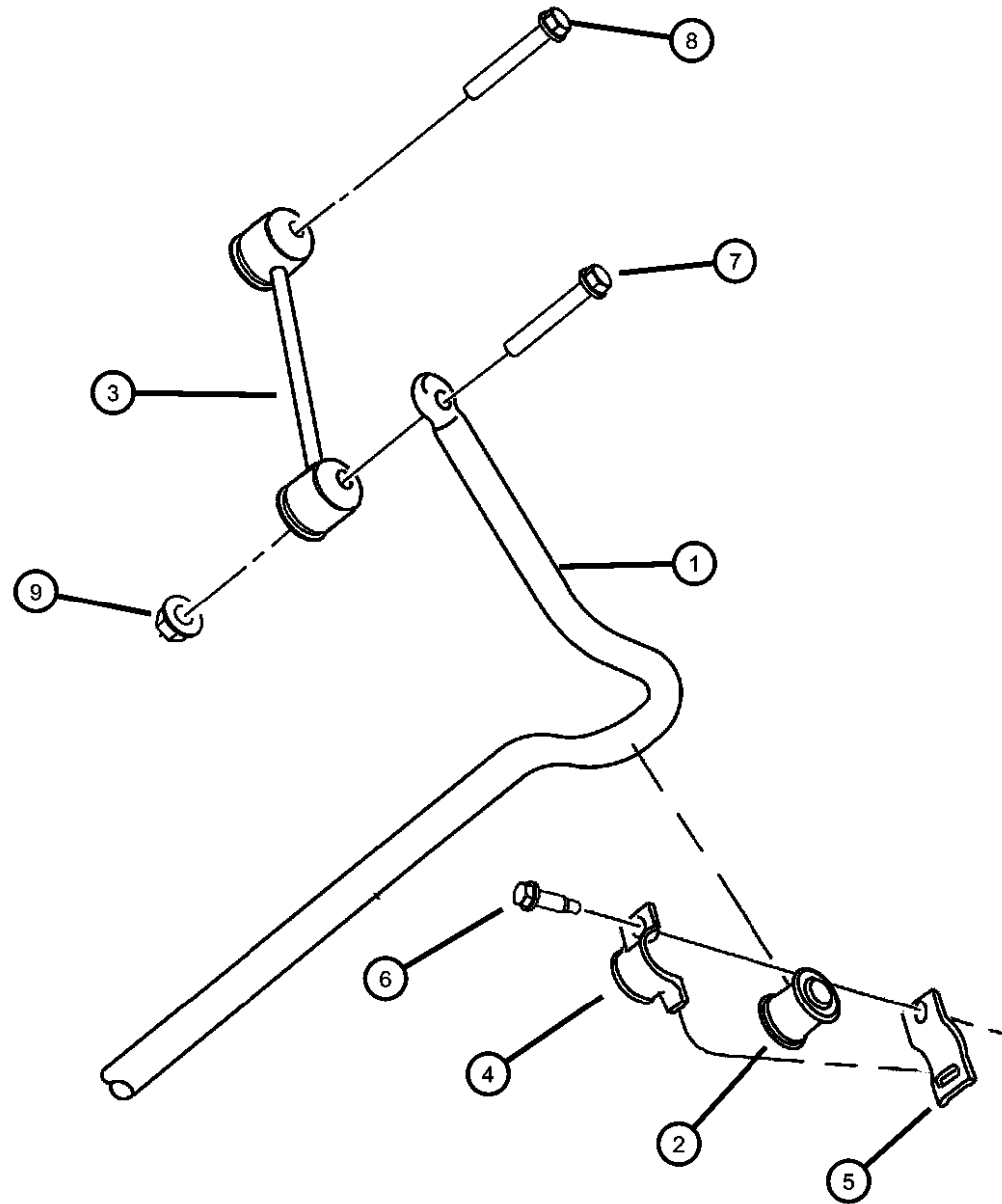
| | | | | |
|--------------|---|----------------|--|--|
| SERIES | LINE | BODY | ENGINE | TRANSMISSION |
| H = HIGHLINE | Z = CHRYSLER (RHD) C = CHRYSLER, LHD | 44 = Four Door | ECC = ENGINE - 2.0L 4 CYL DOHC 16V SMPI EDZ = ENGINE - 2.4L 4 CYL DOHC 16V SMPI | DGL = TRANSMISSION - 4-SPD. AUTOMATIC, 41TE DD5 = TRANSMISSION - 5-SPEED MANUAL DDO = All Manual Transmissions DGO = All Automatics |

AR = use ase required - = Non illustrated part

Sway Bar, Rear
Figure 17-205

| ITEM | PART NUMBER | QTY | LINE | SERIES | BODY | ENGINE | TRANS | TRIM | DESCRIPTION |
|------|-------------|-----|------|--------|------|--------|-------|------|-------------|
|------|-------------|-----|------|--------|------|--------|-------|------|-------------|

NOTE: Sales Codes
[SDA]=Suspension NORMAL DUTY
[SDC]=Suspension TOURING
[SDF]=Suspension EURO



| | | | | | | | | | |
|---|------------|---|--|--|--|--|--|--|-------------------------------------|
| 1 | 04656933AA | 1 | | | | | | | BAR, Rear Sway [SDF] |
| | 05272309AA | 1 | | | | | | | [SDC,SDA] |
| 2 | 04656932AA | 2 | | | | | | | CUSHION, Sway Eliminator [SDF] |
| | 05272312AA | 2 | | | | | | | [SDC,SDA] |
| 3 | 04656934AA | 2 | | | | | | | LINK, Sway Eliminator |
| 4 | 04656927AA | 2 | | | | | | | RETAINER, Stabilizer Bar Grommet |
| 5 | 04656940AA | 2 | | | | | | | RETAINER, Stabilizer Bar Grommet |
| 6 | 06505607AA | 2 | | | | | | | SCREW, Hex Head |
| 7 | 06506496AA | 2 | | | | | | | BOLT |
| 8 | 06506509AA | 2 | | | | | | | SCREW, Hex Head |
| 9 | 06502696 | 2 | | | | | | | NUT, Hex Flange Lock, M14x1.50 |

PT CRUISER (PT)

SERIES LINE
H = HIGHLINE Z = CHRYSLER (RHD)
C = CHRYSLER, LHD

BODY
44 = Four Door

ENGINE TRANSMISSION
ECC = ENGINE - 2.0L 4 CYL DOHC 16V SMPI DGL = TRANSMISSION - 4-SPD.
AUTOMATIC, 41TE
EDZ = ENGINE - 2.4L 4 CYL DOHC 16V SMPI DD5 = TRANSMISSION - 5-SPEED
MANUAL
DDO = All Manual Transmissions
DGO = All Automatics

AR = use ase required - = Non illustrated part

2001 PT

Group - 19

Steering

Group - 19 Steering

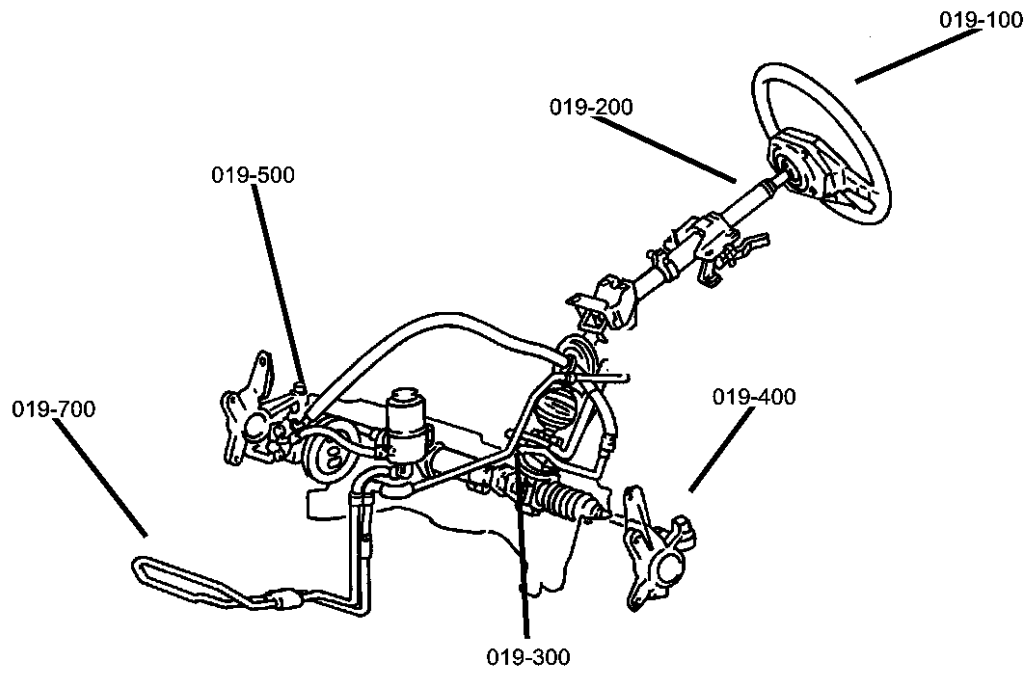


Illustration Title

Group-Fig. No.

Steering Wheel

Wheel, SteeringFig. 19 - 105

Steering Column

Column, Steering, Upper and Lower.....Fig. 19 - 205

Steering Gear

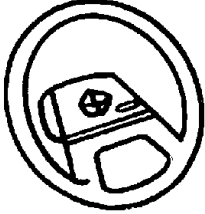
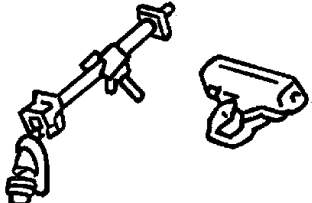
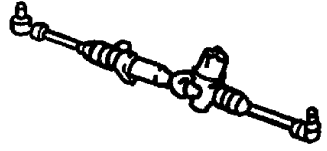
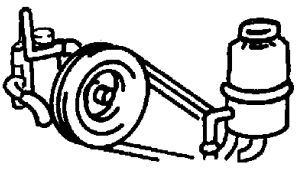
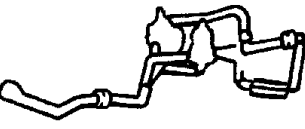
Gear, Rack and Pinion.....Fig. 19 - 305

Power Steering Pump

Pump, Assembly and Mounting.....Fig. 19 - 505

Power Steering Hoses

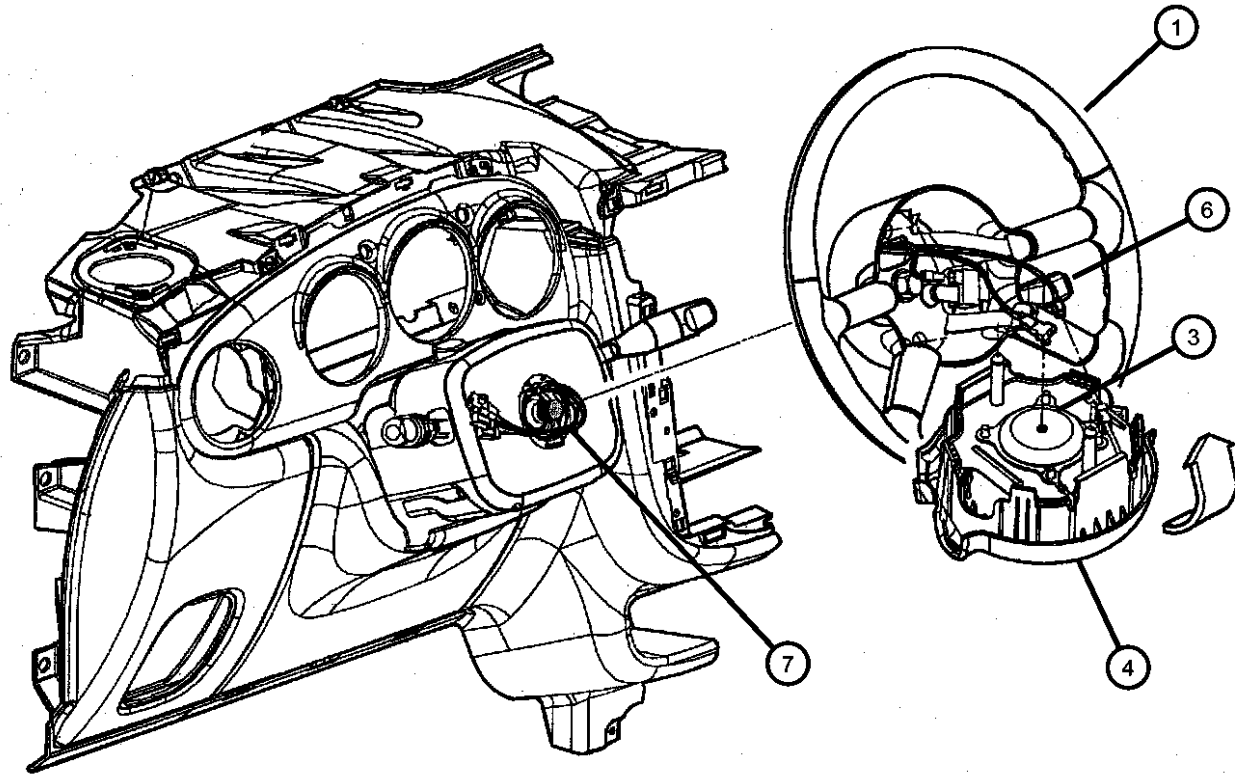
Hoses, Power SteeringFig. 19 - 705

| | | | |
|---|---|--|---|
| <p>019-100 Steering Wheel</p>  | <p>019-200 Steering Column</p>  | <p>019-300 Steering Gear</p>  | <p>019-500 Power Steering Pump</p>  |
| <p>019-700 Power Steering Hoses</p>  | | | |

Wheel, Steering
Figure 19-105

| ITEM | PART NUMBER | QTY | LINE | SERIES | BODY | ENGINE | TRANS | TRIM | DESCRIPTION |
|------|-------------|-----|------|--------|------|--------|-------|------|-------------|
|------|-------------|-----|------|--------|------|--------|-------|------|-------------|

NOTE:
DRIVER AIRBAG TRIM COVERS/HORN SWITCHES ARE SERVICEABLE AND AS SUCH, WHEN APPLICABLE, MUST BE USED INSTEAD OF



| | | | | | | | | | |
|-----|------------|---|--|--|--|--|--|--|---|
| 1 | | | | | | | | | WHEEL, Steering |
| | 0RL68WL8AD | 1 | | | | | | | Base, without Cruise Control, [FL] |
| | 0RL691L8AB | 1 | | | | | | | Leather, without Cruise Control, [FL] |
| | 0RL701L8AB | 1 | | | | | | | Base, with Cruise Control, [FL] |
| | 0RL711L8AB | 1 | | | | | | | Leather, with Cruise Control, [FL] |
| -2 | 06505656AA | 1 | | | | | | | SCREW, Hex Flange Head, M10x1.5x35., Steering Wheel to Column Attaching |
| 3 | | | | | | | | | AIR BAG, Driver |
| | 0RL72WL8AC | 1 | | | | | | | [FL] Before 11-3-00 |
| | 0UV77WL8AA | 1 | | | | | | | [FL] After 11-3-00 |
| 4 | 04664253AD | 1 | | | | | | | COVER, Air Bag Module, With Switches, [FL] |
| -5 | 05072250AA | 1 | | | | | | | FOAM KIT, BsrSteering Wheel |
| 6 | 04671573AA | 1 | | | | | | | SWITCH, Speed Control |
| 7 | | | | | | | | | CLOCKSPRING |
| | 04671874AA | 1 | | | | | | | without Speed Control, Three Circuit, upto 11-15-2000 |
| | 04671874AB | 1 | | | | | | | without Speed Control, Three Circuit, After 11-15-2000 |
| | 04671875AA | 1 | | | | | | | with Speed Control, Five Circuit, upto 11-15-2000 |
| | 04671875AB | 1 | | | | | | | with Speed Control, Five Circuit, After 11-15-2000 |
| -8 | 06503395 | 2 | | | | | | | SCREW AND WASHER, Self Tapping, M4x.7x14, Clockspring Mounting |
| -9 | | | | | | | | | LABEL, Air Bag Warning |
| | 04664279AA | 2 | | | | | | | Seat Side, Canada |
| | 04664280AB | 2 | | | | | | | Seat Side |
| -10 | 05018377AA | 2 | | | | | | | SCREW, Pan Head |

PT CRUISER (PT)

SERIES LINE
H = HIGHLINE Z = CHRYSLER (RHD)
C = CHRYSLER, LHD

BODY
44 = Four Door

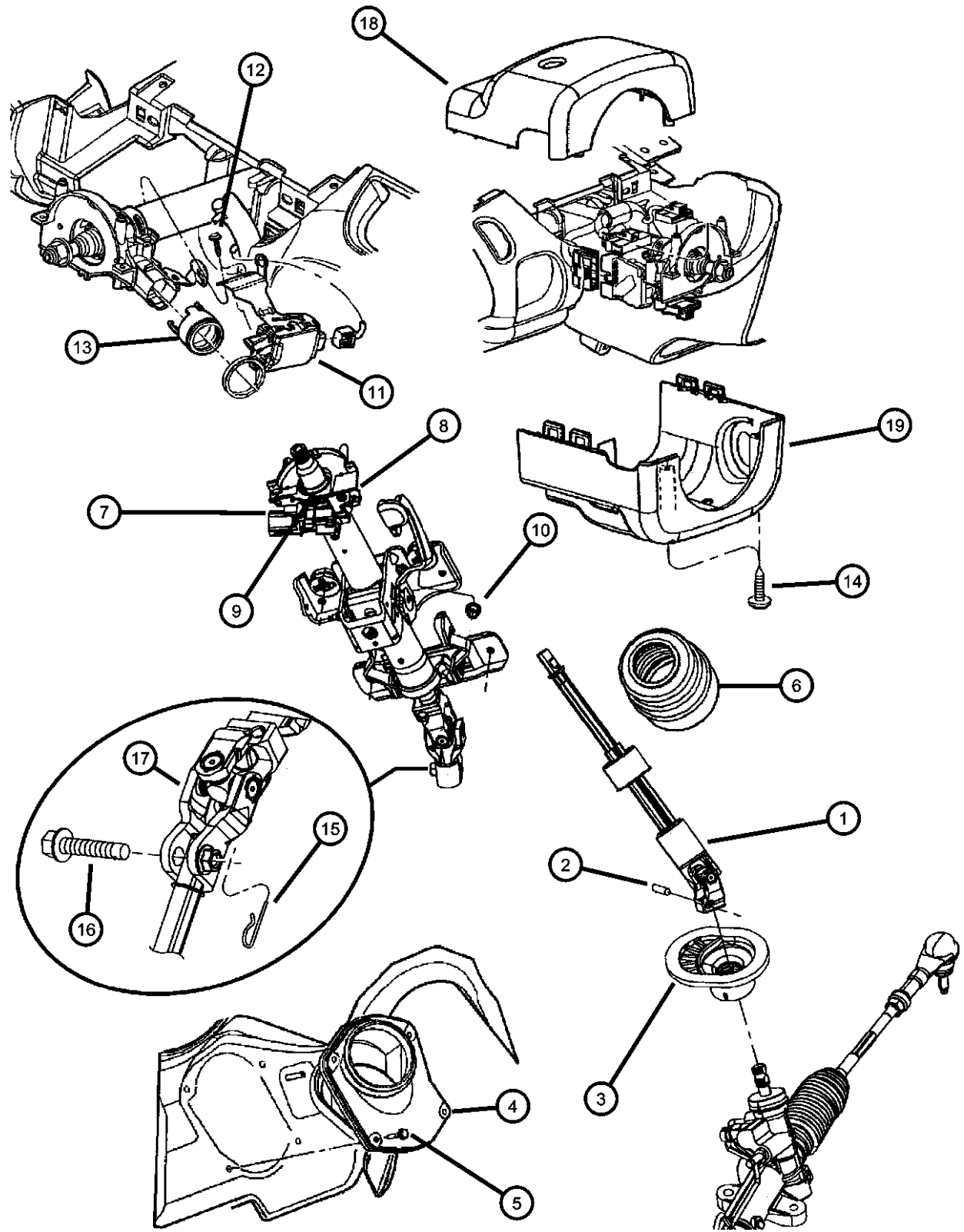
ENGINE
ECC = ENGINE - 2.0L 4 CYL DOHC 16V SMPI
EDZ = ENGINE - 2.4L 4 CYL DOHC 16V SMPI

TRANSMISSION
DGL = TRANSMISSION - 4-SPD. AUTOMATIC, 41TE
DD5 = TRANSMISSION - 5-SPEED MANUAL
DDO = All Manual Transmissions
DGO = All Automatics

AR = use ase required - = Non illustrated part

2001 PT

Column, Steering, Upper and Lower
Figure 19-205



| ITEM | PART NUMBER | QTY | LINE | SERIES | BODY | ENGINE | TRANS | TRIM | DESCRIPTION |
|------|-------------|-----|------|--------|------|--------|-------|------|-------------|
|------|-------------|-----|------|--------|------|--------|-------|------|-------------|

Sales Codes:

[DGL] = TRANSMISSION - AUTOMATIC 4-SPD, 41TE
[DD5] = TRANSMISSION - PERF. MANUAL 5-SPEED

| | | | | | | | | | |
|----|------------|---|---|--|--|-----|--|--------|--|
| 1 | | | | | | | | | COUPLING, Steering |
| | 04664234AA | 1 | C | | | | | | Lower |
| | 04664235AA | 1 | Z | | | | | | Lower |
| 2 | 06503985 | 1 | | | | | | | PIN, Spring, M8.4x30x1.60Steering Column |
| 3 | 04664221AA | 1 | | | | | | | SEAL, Steering Column Shaft, Lower Seal |
| 4 | | | | | | | | | COVER, Steering Column |
| | 04664219AA | 1 | C | | | | | | |
| | 04664220AA | 1 | Z | | | | | | |
| 5 | 06504456 | 4 | | | | | | | SCREW, TappingDash Cover To Steering Column |
| 6 | 04680151 | 1 | | | | | | | SEAL, Steering Column Shaft |
| 7 | | | | | | | | | COLUMN, Steering, Tilt |
| | 04690691AB | 1 | C | | | DGL | | | |
| | 04690692AB | 1 | C | | | DD5 | | | |
| | 04690697AB | 1 | C | | | DGL | | Export | |
| | | 1 | Z | | | DGL | | | |
| | 04690698AB | 1 | C | | | DD5 | | Export | |
| | | 1 | Z | | | DD5 | | | |
| 8 | | | | | | | | | SCREW, .164-18x1.00 |
| | 06035937AA | 2 | C | | | DGL | | | |
| | | 2 | C | | | DD5 | | | |
| | | 2 | Z | | | DGL | | | |
| | | 2 | Z | | | DD5 | | | |
| 9 | | | | | | | | | BEARING, Steering Column Shaft |
| | 04147362AB | 1 | C | | | DGL | | Export | |
| | | 1 | C | | | DD5 | | Export | |
| | | 1 | Z | | | DGL | | | |
| | | 1 | Z | | | DD5 | | | |
| 10 | 06503182 | 4 | | | | | | | NUT AND WASHER, Hex Lock Nut-Coned Teeth Washer, M8 x 1.25 |
| 11 | 04671676AD | 1 | | | | | | | MODULE, Immobilizer |

PT CRUISER (PT)

SERIES LINE
H = HIGHLINE Z = CHRYSLER (RHD)
C = CHRYSLER, LHD

BODY
44 = Four Door

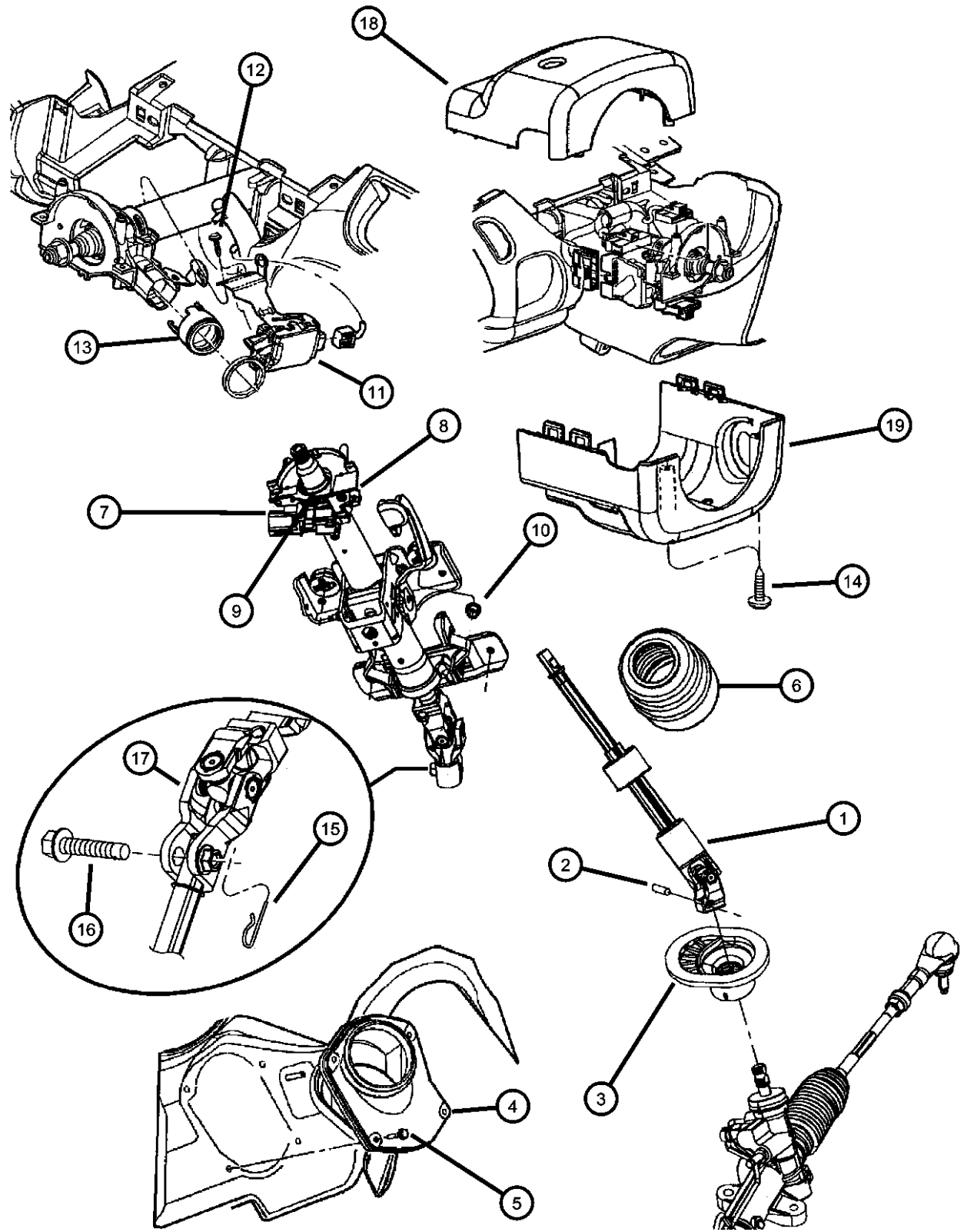
ENGINE
ECC = ENGINE - 2.0L 4 CYL
DOHC 16V SMPI
EDZ = ENGINE - 2.4L 4 CYL
DOHC 16V SMPI

TRANSMISSION
DGL = TRANSMISSION - 4-SPD.
AUTOMATIC, 41TE
DD5 = TRANSMISSION - 5-SPEED
MANUAL
DDO = All Manual Transmissions
DGO = All Automatics

AR = use ase required - = Non illustrated part

2001 PT

Column, Steering, Upper and Lower
Figure 19-205



| ITEM | PART NUMBER | QTY | LINE | SERIES | BODY | ENGINE | TRANS | TRIM | DESCRIPTION |
|------|-------------|-----|------|--------|------|--------|-------|------|---|
| 12 | 04671676AD | 1 | | | | | | | SCREW, Tapping, M4x0.7x6.0, (NOT SERVICED) |
| 13 | 04664232AA | 1 | | | | | | | RING, Ignition, Steering Column, Non Glow, Trim |
| 14 | 06035434 | 2 | | | | | | | SCREW AND WASHER, Pan Head |
| 15 | 05015626AA | 1 | | | | | | | PIN, Hair, .250 Dia x.766x.059 |
| 16 | 05015627AA | 1 | | | | | | | BOLT, Special Head Locking, M8x1.25x42.50 |
| 17 | | | | | | | | | COUPLING, Steering |
| | 04470934 | 1 | | | | | DGL | | Upper |
| | | 1 | | | | | DD5 | | Upper |
| | | 1 | Z | | | | DGL | | Upper |
| | | 1 | Z | | | | DD5 | | Upper |
| 18 | | | | | | | | | SHROUD, Steering Column |
| | 0SC06WL8AA | 1 | | | | | DD5 | | Upper [FL] |
| | | 1 | | | | | DGL | | Upper [FL] |
| 19 | | | | | | | | | SHROUD, Steering Column |
| | 0SL55WL8AA | 1 | | | | | DD5 | | Lower,[FL] |
| | 0SL56WL8AA | 1 | | | | | DGL | | Lower,[FL] |

PT CRUISER (PT)

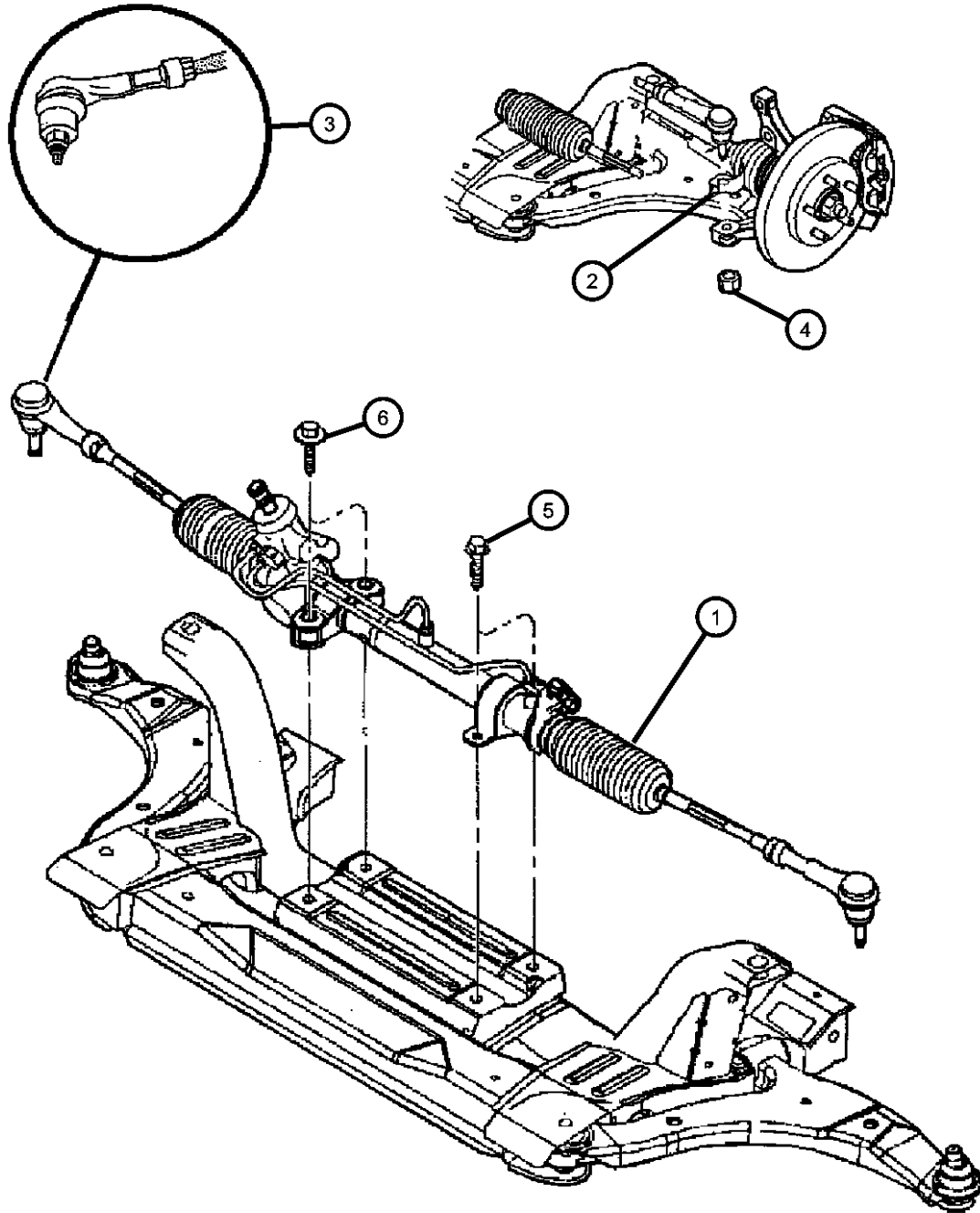
| | | | | |
|--------------|---|----------------|--|---|
| SERIES | LINE | BODY | ENGINE | TRANSMISSION |
| H = HIGHLINE | Z = CHRYSLER (RHD) C = CHRYSLER, LHD | 44 = Four Door | ECC = ENGINE - 2.0L 4 CYL DOHC 16V SMPI EDZ = ENGINE - 2.4L 4 CYL DOHC 16V SMPI | DGL = TRANSMISSION - 4-SPD. AUTOMATIC,41TE DD5 = TRANSMISSION - 5-SPEED MANUAL DDO = All Manual Transmissions DGO = All Automatics |

AR = use ase required - = Non illustrated part

**Gear, Rack and Pinion
Figure 19-305**

| ITEM | PART NUMBER | QTY | LINE | SERIES | BODY | ENGINE | TRANS | TRIM | DESCRIPTION |
|------|-------------|-----|------|--------|------|--------|-------|------|-------------|
|------|-------------|-----|------|--------|------|--------|-------|------|-------------|

Sales Code:
 SBA=- POWER
 SBB=Steering - Firm Feel
 WCF=Wheel - 15 x 6.0 Black
 WNX=Wheels - 16 x 6.0 Aluminum
 WNE-WD6=Wheels - 16 x 6.0 Aluminum Chrome
 DGL=4-SPD. AUTOMATIC,41TE
 DD5- 5-SPEED MANUAL



| | | | | | | | | | |
|---|------------|---|---|--|--|--|-----|--|---|
| 1 | | | | | | | | | GEAR, Power Steering |
| | 04656747AC | 1 | C | | | | DGL | | with [SBB] |
| | 04656748AC | 1 | Z | | | | DGL | | with [SBB, WNX, WNE, WD6] |
| | 04656749AC | 1 | Z | | | | DGL | | with [SBB,WCF] |
| | 04656456AD | 1 | C | | | | DD5 | | with [SBA,WCF] |
| | R0400251 | | | | | | | | Mopar Remanufactured Part |
| | 04656457AC | 1 | Z | | | | DD5 | | with [SBB,WNX,WNE,WD6] |
| | 04656458AC | 1 | C | | | | DD5 | | with [SBB] |
| | 04656471AC | 1 | Z | | | | DD5 | | with [SBB,WCF] |
| | 04656679AD | 1 | C | | | | DD5 | | with [SBA,WNX,WNE,WD6] |
| | R0400251 | | | | | | | | Mopar Remanufactured Part |
| | 04656745AD | 1 | C | | | | DGL | | with [SBA,WCF] |
| | R0400250 | | | | | | | | Mopar Remanufactured Part |
| | 04656746AD | 1 | C | | | | DGL | | with [SBA, WNX, WNE, WD6] |
| | R0400250 | | | | | | | | Mopar Remanufactured Part |
| 2 | | | | | | | | | SHIELD, Heat |
| | 04656672AA | 1 | | | | | | | Tie Rod, Right |
| | 04656673AA | 1 | | | | | | | Tie Rod, Left |
| 3 | | | | | | | | | END PACKAGE, Tie Rod |
| | 04762861AA | 1 | C | | | | DD5 | | [SBA] |
| | | 1 | Z | | | | DGL | | |
| | | 1 | Z | | | | DGL | | [SBB] [WCF] |
| | | 1 | C | | | | DGL | | |
| | | 1 | C | | | | DD5 | | [SBB] |
| | | 1 | C | | | | DD5 | | |
| 4 | 06503046 | 2 | | | | | | | NUT, Hex Lock, M12 x 1.25Tie Rod To Knuckle |

PT CRUISER (PT)

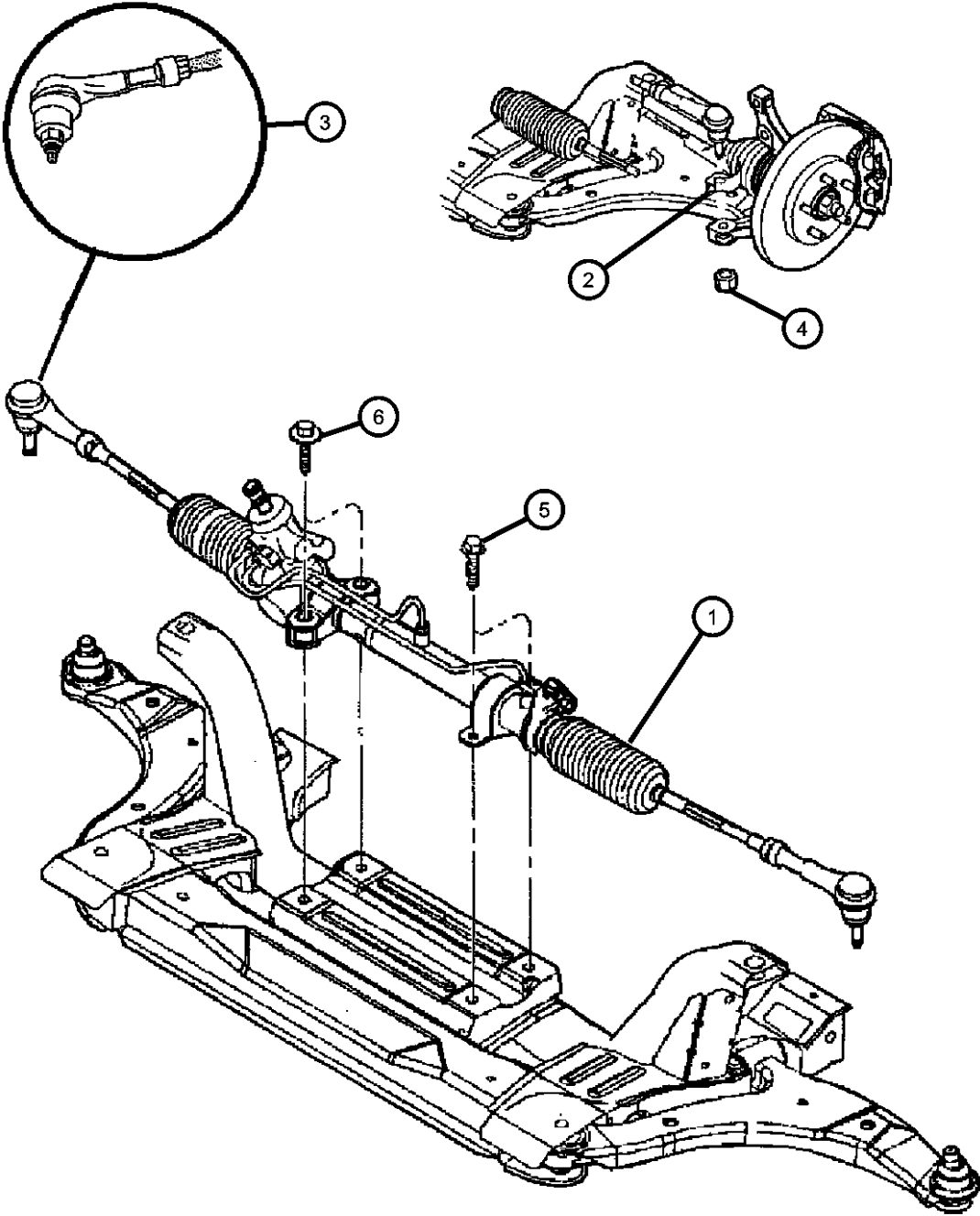
| SERIES | LINE | BODY | ENGINE | TRANSMISSION |
|--------------|---|----------------|--|---|
| H = HIGHLINE | Z = CHRYSLER (RHD) C = CHRYSLER, LHD | 44 = Four Door | ECC = ENGINE - 2.0L 4 CYL DOHC 16V SMPI EDZ = ENGINE - 2.4L 4 CYL DOHC 16V SMPI | DGL = TRANSMISSION - 4-SPD. AUTOMATIC,41TE DD5 = TRANSMISSION - 5-SPEED MANUAL DDO = All Manual Transmissions DGO = All Automatics |

AR = use ase required - = Non illustrated part

2001 PT

**Gear, Rack and Pinion
Figure 19-305**

| ITEM | PART NUMBER | QTY | LINE | SERIES | BODY | ENGINE | TRANS | TRIM | DESCRIPTION |
|------|-------------|-----|------|--------|------|--------|-------|------|---|
| 5 | 06506204AA | 2 | | | | | | | SCREW, Hex Head, Steering Gear Tube Bracket to Suspension Crossmember |
| 6 | 06506204AA | 2 | | | | | | | SCREW, M10x1.50x50.00, (NOT SERVICED) |
| -7 | | | | | | | | | SWITCH, Power Steering |
| | 05269625 | 1 | C | | | | DD5 | | |
| | | 1 | C | | | | DGL | | |
| | | 1 | Z | | | | DD5 | | |
| | | 1 | Z | | | | DGL | | |



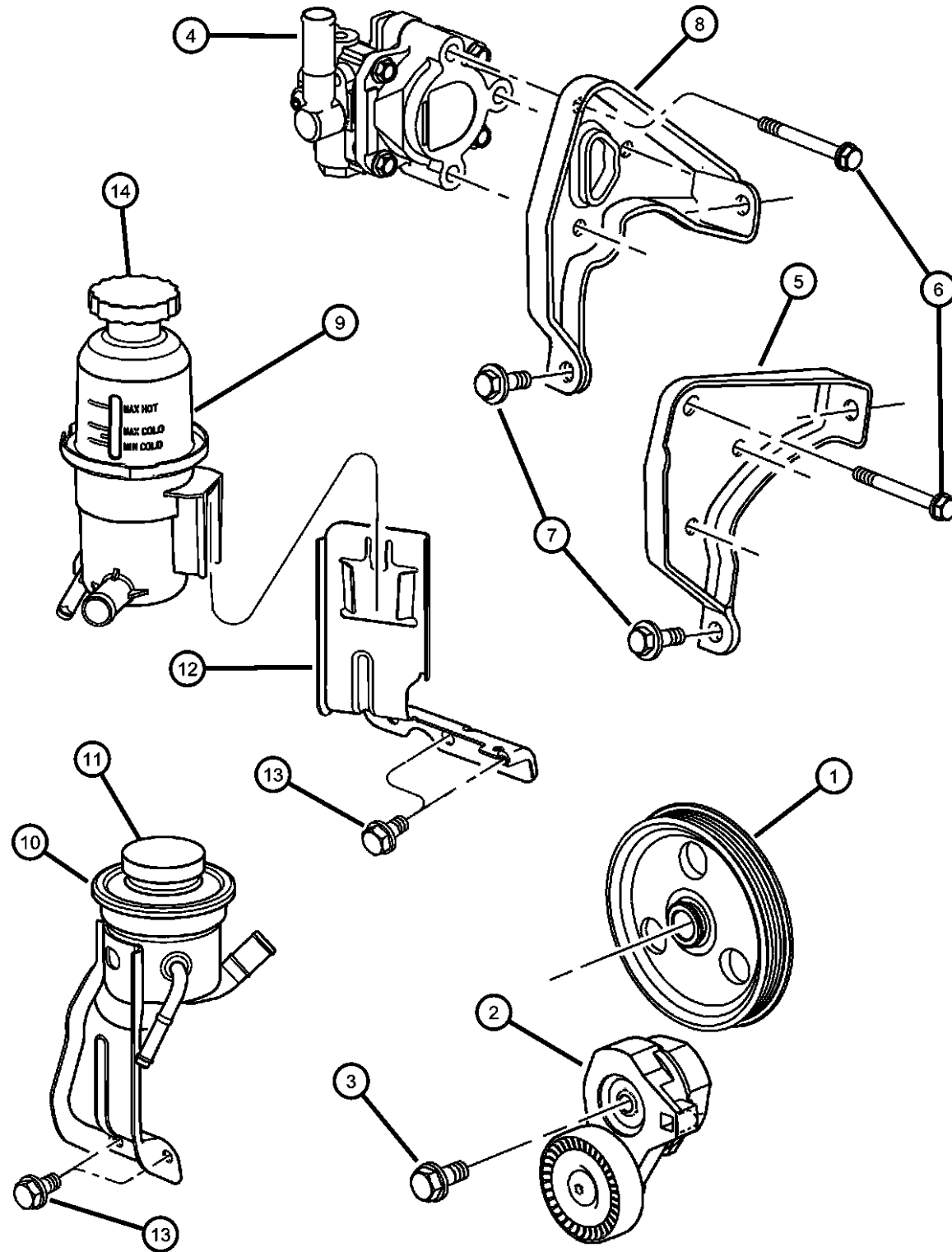
PT CRUISER (PT)

| | | | | |
|--------------|---|----------------|--|--|
| SERIES | LINE | BODY | ENGINE | TRANSMISSION |
| H = HIGHLINE | Z = CHRYSLER (RHD) C = CHRYSLER, LHD | 44 = Four Door | ECC = ENGINE - 2.0L 4 CYL DOHC 16V SMPI EDZ = ENGINE - 2.4L 4 CYL DOHC 16V SMPI | DGL = TRANSMISSION - 4-SPD. AUTOMATIC, 41TE DD5 = TRANSMISSION - 5-SPEED MANUAL DDO = All Manual Transmissions DGO = All Automatics |

AR = use ase required - = Non illustrated part

2001 PT

**Pump, Assembly and Mounting
Figure 19-505**



| ITEM | PART NUMBER | QTY | LINE | SERIES | BODY | ENGINE | TRANS | TRIM | DESCRIPTION |
|------|-------------|-----|------|--------|------|--------|-------|------|-------------|
|------|-------------|-----|------|--------|------|--------|-------|------|-------------|

Sales Codes:
ECC=2.0L 4 CYL DOHC 16V SMPI
EDZ= 2.4L 4 CYL DOHC 16V SMPI

| | | | | | | | | | |
|----|------------|---|--|--|---|----------|--|--|---|
| 1 | | | | | | | | | PULLEY, Power Steering Pump |
| | 04668252 | 1 | | | | ECC | | | |
| | 04668448AA | 1 | | | | EDZ | | | |
| 2 | | | | | | | | | TENSIONER, Belt |
| | 04668509AB | 1 | | | | EDZ | | | Power Steering |
| | 04668519AB | 1 | | | | ECC | | | Power Steering |
| 3 | 06101763 | 1 | | | | EDZ | | | BOLT AND WASHER, Hex Head, M10x1.5 |
| 4 | 04656402AC | 1 | | | | ECC, EDZ | | | PUMP, Power Steering |
| | 05166226AA | | | | | | | | Mopar Power Steering Fluid Pint |
| 5 | 04668468AA | 1 | | | | EDZ | | | STRUT, Power Steering Pump |
| 6 | 06101983 | 3 | | | | | | | SCREW |
| 7 | 06101503 | 2 | | | | | | | SCREW AND WASHER, Hex Head, M10x1.5x25, Power Steering Strut to Block |
| 8 | 04668785AA | 1 | | | | ECC | | | STRUT, Power Steering Pump |
| 9 | | | | | | | | | RESERVOIR, Power Steering Pump |
| | 04656986AB | 1 | | | Z | ECC, EDZ | | | Upto 7-10-00 |
| | 05272426AA | 1 | | | Z | ECC, EDZ | | | with Bracket After 7-10-00 |
| 10 | 05272351AA | 1 | | | C | ECC, EDZ | | | RESERVOIR, Power Steering Pump, with Bracket |
| 11 | | | | | | | | | CAP, Power Steering Reservoir |
| | 05066031AA | 1 | | | | ECC, EDZ | | | |
| | 05066199AA | 1 | | | Z | ECC, EDZ | | | |
| 12 | 04656404AB | 1 | | | Z | ECC, EDZ | | | BRACKET, Power Steering Reservoir, Upto 7-10-00 |
| 13 | 06504130 | 2 | | | | ECC, EDZ | | | BOLT AND CONED WASHER, M8x1.25x18 |
| 14 | 05011231AB | 1 | | | | | | | CAP, Power Steering Reservoir |

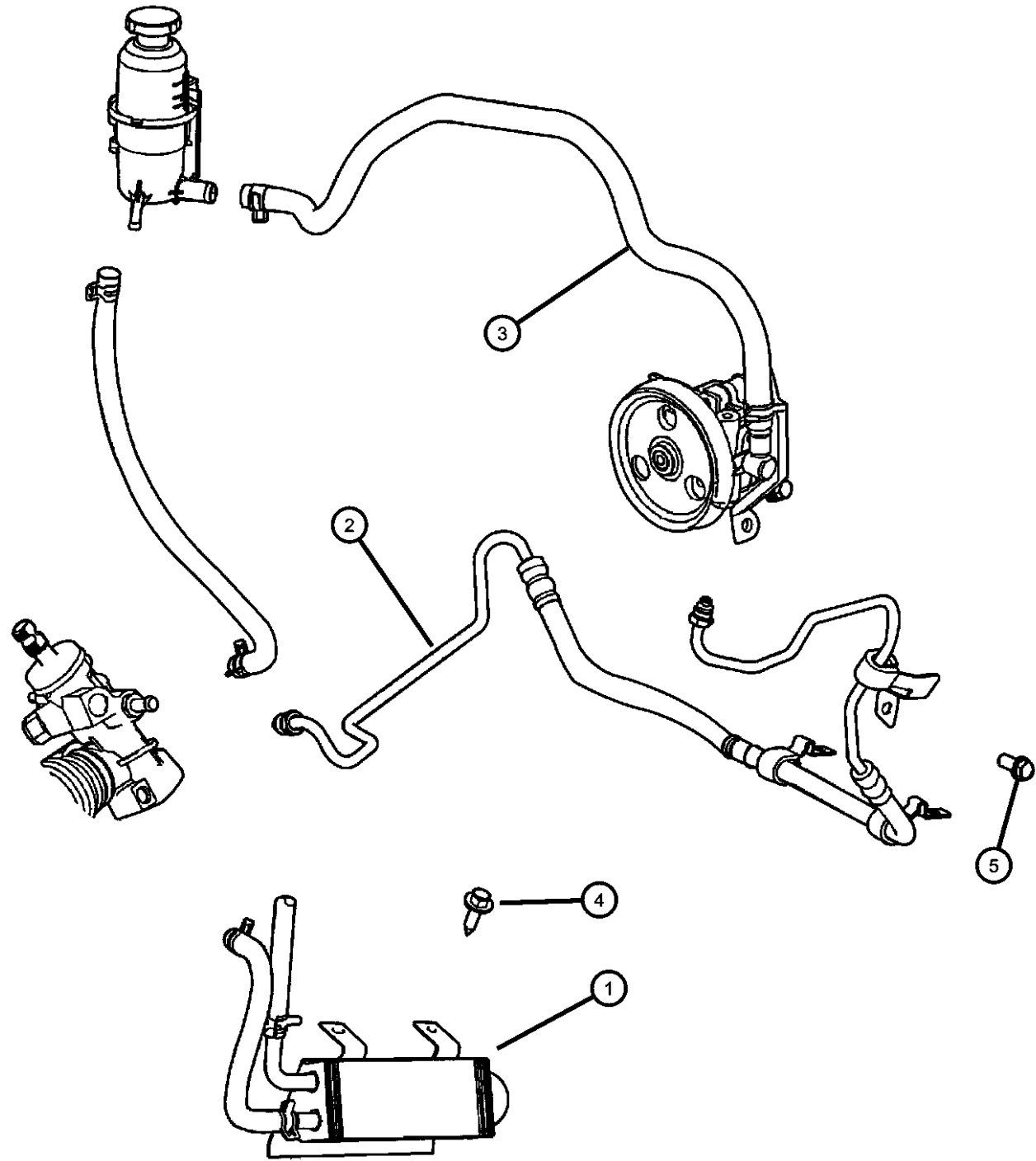
PT CRUISER (PT)

| SERIES | LINE | BODY | ENGINE | TRANSMISSION |
|--------------|---|----------------|--|--|
| H = HIGHLINE | Z = CHRYSLER (RHD) C = CHRYSLER, LHD | 44 = Four Door | ECC = ENGINE - 2.0L 4 CYL DOHC 16V SMPI EDZ = ENGINE - 2.4L 4 CYL DOHC 16V SMPI | DGL = TRANSMISSION - 4-SPD. AUTOMATIC, 41TE DD5 = TRANSMISSION - 5-SPEED MANUAL DDO = All Manual Transmissions DGO = All Automatics |

AR = use ase required - = Non illustrated part

2001 PT

Hoses, Power Steering
Figure 19-705



| ITEM | PART NUMBER | QTY | LINE | SERIES | BODY | ENGINE | TRANS | TRIM | DESCRIPTION |
|--|-------------|-----|------|--------|------|----------|-------|------|--|
| ECC=2.0L 4 CYL DOHC 16V SMPI EDZ=2.4L 4 CYL DOHC 16V SMPI | | | | | | | | | |
| 1 | | | | | | | | | COOLER, Power Steering |
| | 04656853AC | 1 | Z | | | ECC, EDZ | | | |
| | 04656854AC | 1 | C | | | ECC, EDZ | | | |
| 2 | | | | | | | | | HOSE, Power Steering |
| | 04656415AD | 1 | C | | | ECC | | | |
| | 04656419AD | 1 | Z | | | ECC | | | |
| | 04656421AD | 1 | C | | | EDZ | | | |
| 3 | | | | | | | | | HOSE, Power Steering Right Hand Drive |
| | 04656690AC | 1 | | | | ECC | | | |
| | 05272867AA | 1 | C | | | EDZ | | | |
| | 05272868AA | 1 | C | | | ECC | | | Left Hand Drive |
| 4 | 06505911AA | 2 | | | | ECC, EDZ | | | SCREW, Hex Head |
| 5 | 06506019AA | 3 | C | | | | | | BOLT AND WASHER, Hex Head, M10x1.5x30 |

PT CRUISER (PT)

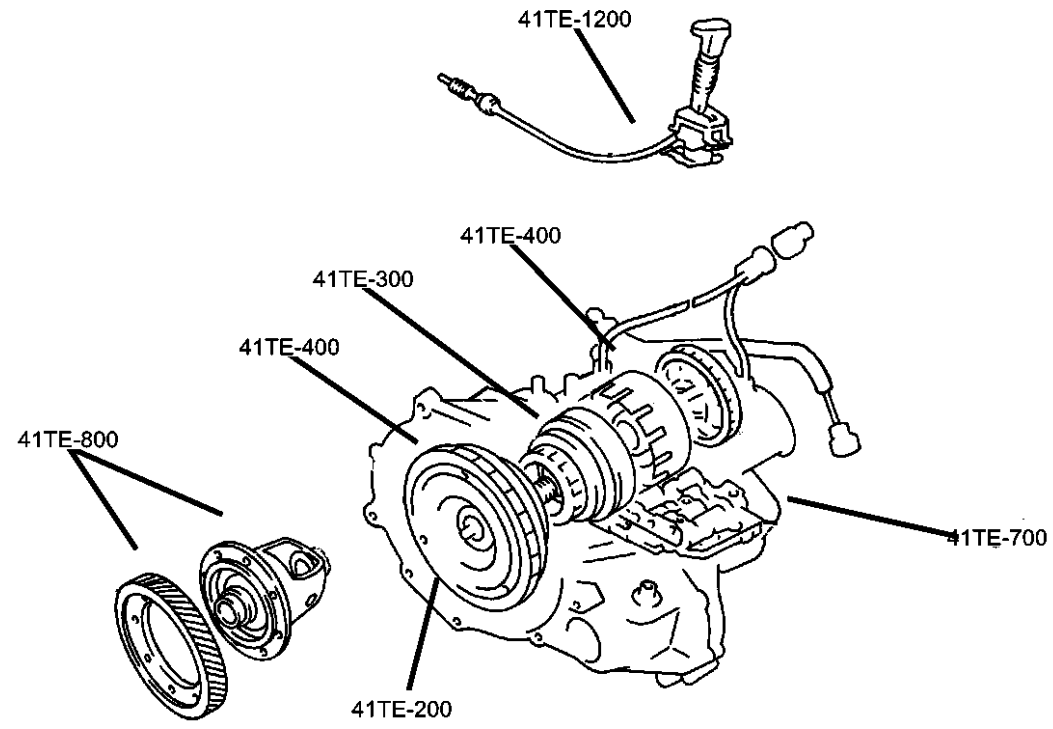
| | | | | |
|--------------|---|----------------|--|--|
| SERIES | LINE | BODY | ENGINE | TRANSMISSION |
| H = HIGHLINE | Z = CHRYSLER (RHD) C = CHRYSLER, LHD | 44 = Four Door | ECC = ENGINE - 2.0L 4 CYL DOHC 16V SMPI EDZ = ENGINE - 2.4L 4 CYL DOHC 16V SMPI | DGL = TRANSMISSION - 4-SPD. AUTOMATIC, 41TE DD5 = TRANSMISSION - 5-SPEED MANUAL DDO = All Manual Transmissions DGO = All Automatics |

AR = use ase required - = Non illustrated part

2001 PT

Group - 41TE

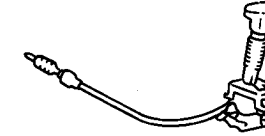
Automatic Transaxle 4 Speed



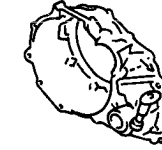
41TE-100
Transaxle Assembly



41TE-1200
Gearshift Controls



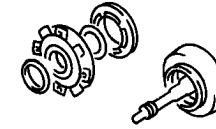
41TE-200
Case and Extension



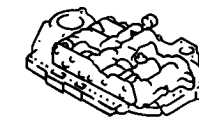
41TE-300
Oil Pump



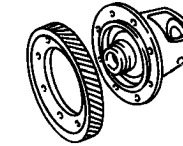
41TE-400
Gear Train



41TE-700
Valve Body



41TE-800
Differential



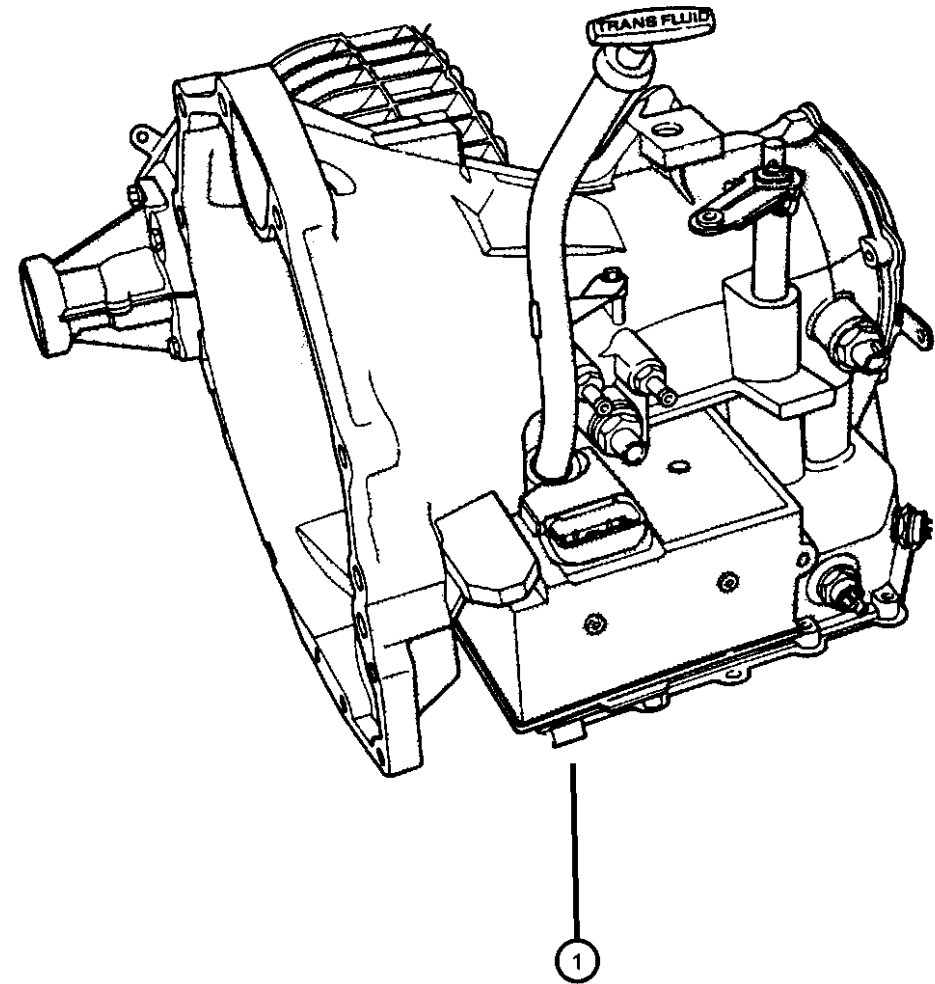
Group - 41TE Automatic Transaxle 4 Speed

| Illustration Title | Group-Fig. No. |
|--|------------------|
| Transaxle Assembly | |
| Transaxle Assembly | Fig. 41TE - 110 |
| Case and Extension | |
| Transaxle Mounting and Misc. Parts | Fig. 41TE - 210 |
| Case & Related Parts | Fig. 41TE - 220 |
| Oil Pump | |
| Pump, Oil with Reaction Shaft | Fig. 41TE - 310 |
| Gear Train | |
| Shaft Transfer | Fig. 41TE - 410 |
| Clutch, Input Shaft | Fig. 41TE - 420 |
| Gear Train | Fig. 41TE - 430 |
| Valve Body | |
| Valve Body | Fig. 41TE - 710 |
| Accumulator Piston and Springs | Fig. 41TE - 720 |
| Parking Sprag | Fig. 41TE - 730 |
| Differential | |
| Differential | Fig. 41TE - 810 |
| Gearshift Controls | |
| Controls, Gearshift, Floor Shift | Fig. 41TE - 1210 |

**Transaxle Assembly
Figure 41TE-110**

| ITEM | PART NUMBER | QTY | LINE | SERIES | BODY | ENGINE | TRANS | TRIM | DESCRIPTION |
|------|-------------|-----|------|--------|------|--------|-------|------|-------------|
|------|-------------|-----|------|--------|------|--------|-------|------|-------------|

NOTE: SALES CODES: DGL = 4 Spd Auto Trans 41TE
 ECC = 2.0L 4 CYL DOHC
 EDZ = 2.4L 4 CYL DOHC



| | | | | | | | | | |
|----|------------|---|--|--|--|-----|-----|--|---|
| 1 | 05017921AA | 1 | | | | EDZ | DGL | | TRANSAXLE PACKAGE, WITH TORQUE CONVERTER Production No. 4799921AA Mopar Remanufactured Part |
| | R5016448AB | | | | | | | | Mopar Automatic Transmission Fluid Quart |
| | 05013457AA | | | | | | | | Mopar Automatic Transmission Fluid Gallon |
| | 05013458AA | | | | | | | | Mopar Automatic Transmission Fluid Gallon |
| | 05068281AA | 1 | | | | ECC | DGL | | Production No. 04800281AA Mopar Automatic Transmission Fluid Quart |
| | 05013457AA | | | | | | | | Mopar Automatic Transmission Fluid Gallon |
| | 05013458AA | | | | | | | | Mopar Automatic Transmission Fluid Gallon |
| -2 | 04778031AB | 1 | | | | EDZ | DGL | | CONVERTER PACKAGE, Torque Mopar Remanufactured Part |
| | R4778031AB | | | | | | | | |
| | 04796384AB | 1 | | | | ECC | DGC | | Mopar Remanufactured Part |
| | R4796384AB | | | | | | | | |

PT CRUISER (PT)

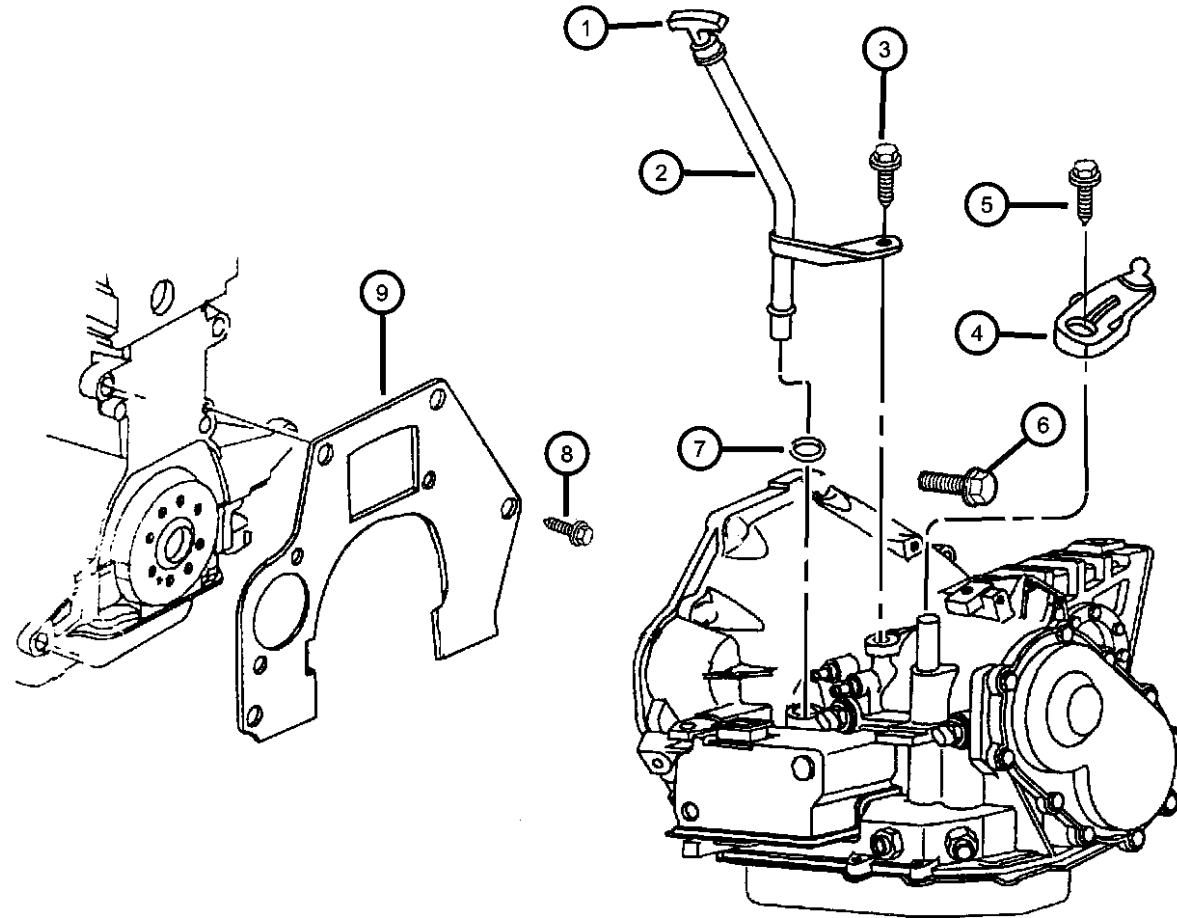
| | | | | |
|--------------|---|----------------|--|--|
| SERIES | LINE | BODY | ENGINE | TRANSMISSION |
| H = HIGHLINE | Z = CHRYSLER (RHD) C = CHRYSLER, LHD | 44 = Four Door | ECC = ENGINE - 2.0L 4 CYL DOHC 16V SMPI EDZ = ENGINE - 2.4L 4 CYL DOHC 16V SMPI | DGL = TRANSMISSION - 4-SPD. AUTOMATIC, 41TE DD5 = TRANSMISSION - 5-SPEED MANUAL DDO = All Manual Transmissions DGO = All Automatics |

AR = use ase required - = Non illustrated part

**Transaxle Mounting and Misc. Parts
Figure 41TE-210**

| ITEM | PART NUMBER | QTY | LINE | SERIES | BODY | ENGINE | TRANS | TRIM | DESCRIPTION |
|------|-------------|-----|------|--------|------|--------|-------|------|-------------|
|------|-------------|-----|------|--------|------|--------|-------|------|-------------|

NOTE;
SALES CODES;
DGL = 4 Spd Auto Trans 41TE
ECC = 2.0L 4 CYL DOHC



| | | | | | | | | | |
|---|------------|---|--|--|--|-----|-----|--|-------------------------------------|
| 1 | 04668614AC | 1 | | | | | DGL | | INDICATOR, Transmission Fluid Level |
| 2 | 04668613AC | 1 | | | | | DGL | | TUBE, Transmission Oil Filler |
| 3 | 06501755 | 2 | | | | | | | SCREW AND WASHER, Hex Head, M6x1x16 |
| 4 | 04670322 | 1 | | | | | DGL | | LEVER, Manual Control |
| 5 | 06101695 | 4 | | | | | DGL | | NUT, Hex Flange Lock, M8x1.25 |
| 6 | 06501742 | 3 | | | | | DGL | | SCREW, Hex Head, M12x1.75x50 |
| 7 | 06030608 | 1 | | | | | DGL | | SEAL, Oil Filler Tube |
| 8 | 06501755 | 2 | | | | | | | SCREW AND WASHER, Hex Head, M6x1x16 |
| 9 | 04668672AA | 1 | | | | ECC | DGL | | COVER, Transmission Dust |

PT CRUISER (PT)

| | |
|--------------|---|
| SERIES | LINE |
| H = HIGHLINE | Z = CHRYSLER (RHD) C = CHRYSLER, LHD |

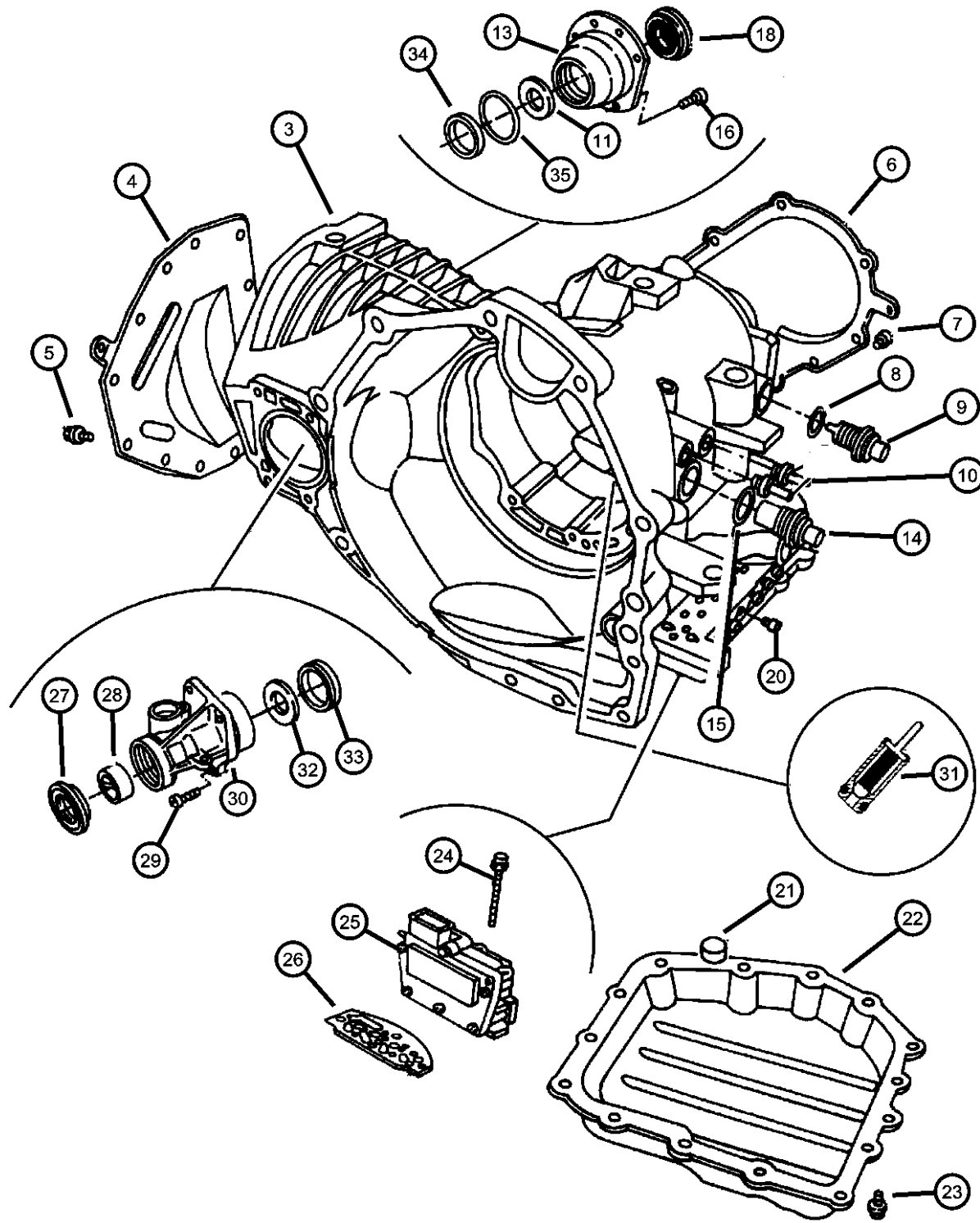
| |
|----------------|
| BODY |
| 44 = Four Door |

| | |
|---|---|
| ENGINE | TRANSMISSION |
| ECC = ENGINE - 2.0L 4 CYL DOHC 16V SMPI | DGL = TRANSMISSION - 4-SPD. AUTOMATIC, 41TE |
| EDZ = ENGINE - 2.4L 4 CYL DOHC 16V SMPI | DD5 = TRANSMISSION - 5-SPEED MANUAL |
| | DDO = All Manual Transmissions |
| | DGO = All Automatics |

AR = use ase required - = Non illustrated part

2001 PT

Case & Related Parts
Figure 41TE-220



| ITEM | PART NUMBER | QTY | LINE | SERIES | BODY | ENGINE | TRANS | TRIM | DESCRIPTION |
|------|-------------|-----|------|--------|------|--------|-------|------|--|
| | | | | | | | | | NOTE: Sales Codes: [DGL] = 4 Spd Auto Trans 41TE - FWD [ECC] = 2.0L 4 CYL DOHC [EDZ] = 2.4L 4 CYL DOHC |
| -1 | | | | | | | | | SEAL AND GASKET PACKAGE, Transmission |
| | 05016131AB | 1 | | | | ECC | DGL | | |
| | | 1 | | | | EDZ | DGL | | |
| -2 | | | | | | | | | OVERHAUL PACKAGE, Transaxle |
| | 05016130AB | 1 | | | | ECC | DGL | | |
| | | 1 | | | | EDZ | DGL | | |
| 3 | | | | | | | | | CASE, Transaxle |
| | 04883522AA | 1 | | | | ECC | DGL | | |
| | | 1 | | | | EDZ | DGL | | |
| 4 | | | | | | | | | PAN, Transaxle Differential Oil |
| | 04659520 | 1 | | | | ECC | DGL | | |
| | | 1 | | | | EDZ | DGL | | |
| 5 | | | | | | | | | BOLT, Hex Head, M8x1.25x16 |
| | 06501474 | 12 | | | | ECC | DGL | | |
| | | 12 | | | | EDZ | DGL | | |
| 6 | | | | | | | | | COVER, Transaxle Rear |
| | 04659636 | 1 | | | | ECC | DGL | | |
| | | 1 | | | | EDZ | DGL | | |
| 7 | | | | | | | | | BOLT, Hex Head, M8x1.25x16 |
| | 06501474 | 12 | | | | ECC | DGL | | |
| | | 12 | | | | EDZ | DGL | | |
| 8 | | | | | | | | | O RING, Trans Speed Sensor |
| | 06501658AB | 1 | | | | ECC | DGL | | |
| | | 1 | | | | EDZ | DGL | | |
| 9 | | | | | | | | | SENSOR, Transmission Output Speed |
| | 04800879 | 1 | | | | ECC | DGL | | |
| | | 1 | | | | EDZ | DGL | | |
| 10 | | | | | | | | | CONNECTOR, Oil Cooler Hose |
| | 04809377AA | 2 | | | | ECC | DGL | | |

PT CRUISER (PT)

SERIES

H = HIGHLINE

LINE

Z = CHRYSLER (RHD)

C = CHRYSLER, LHD

BODY

44 = Four Door

ENGINE

ECC = ENGINE - 2.0L 4 CYL

DOHC 16V SMPI

EDZ = ENGINE - 2.4L 4 CYL

DOHC 16V SMPI

TRANSMISSION

DGL = TRANSMISSION - 4-SPD.

AUTOMATIC, 41TE

DD5 = TRANSMISSION - 5-SPEED

MANUAL

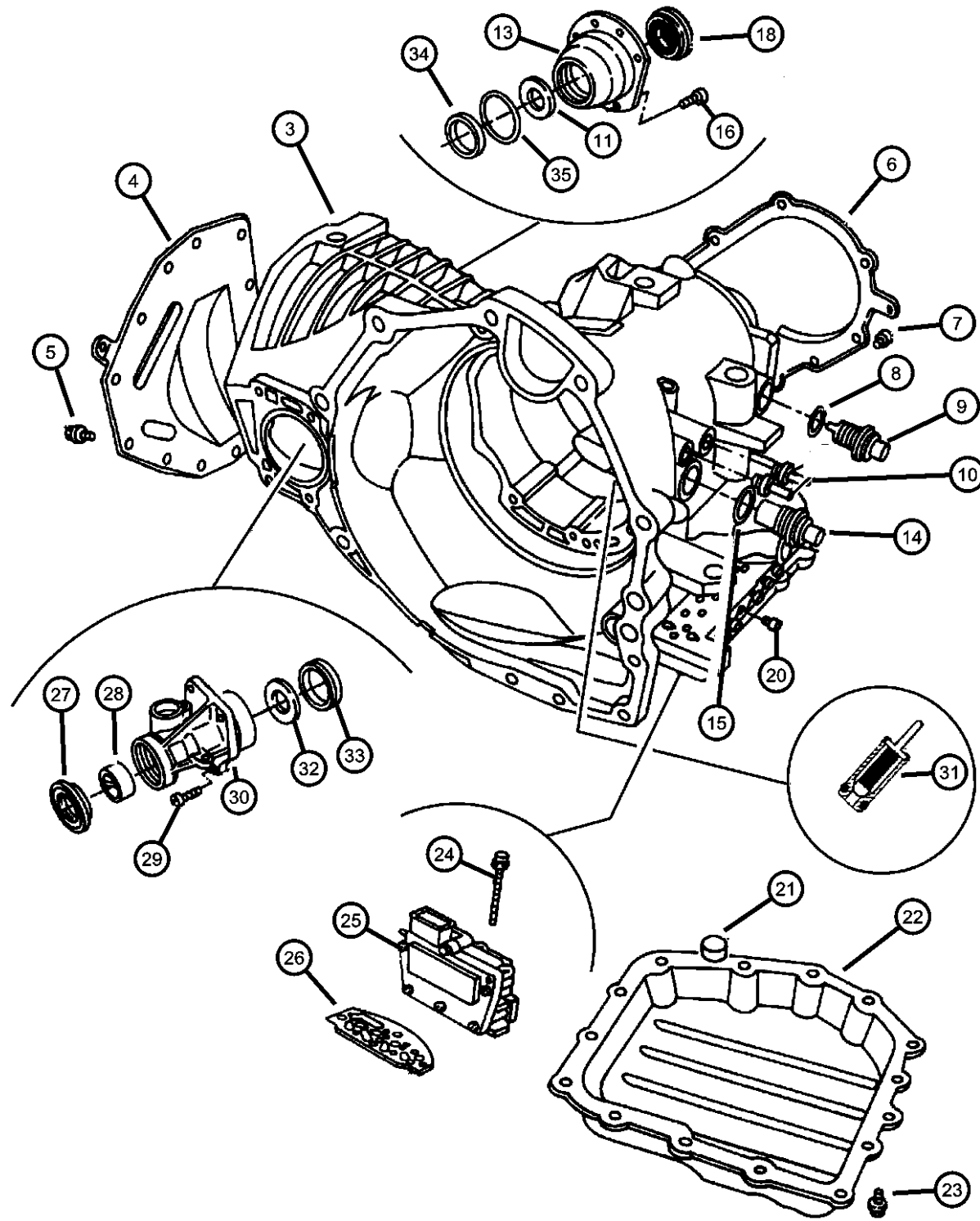
DDO = All Manual Transmissions

DGO = All Automatics

AR = use ase required - = Non illustrated part

2001 PT

**Case & Related Parts
Figure 41TE-220**



| ITEM | PART NUMBER | QTY | LINE | SERIES | BODY | ENGINE | TRANS | TRIM | DESCRIPTION |
|------|-------------|-----|------|--------|------|--------|-------|------|---------------------------------------|
| 11 | | 2 | | | | EDZ | DGL | | DAM, Differential Extension Oil |
| | 04659290 | 1 | | | | ECC | DGL | | Left Hand, Side |
| | | 1 | | | | EDZ | DGL | | Left Hand, Side |
| -12 | | | | | | | | | RETAINER, Transmission Extension Oil |
| | 04567494 | 1 | | | | ECC | DGL | | Right Hand, Side |
| | | 1 | | | | EDZ | DGL | | Right Hand, Side |
| 13 | | | | | | | | | RETAINER, Differential Bearing |
| | 04659736 | 1 | | | | ECC | DGL | | |
| | | 1 | | | | EDZ | DGL | | |
| 14 | | | | | | | | | SENSOR, Transmission Input Speed |
| | 04800878 | 1 | | | | ECC | DGL | | |
| | | 1 | | | | EDZ | DGL | | |
| 15 | 06501657AB | 1 | | | | EDZ | DGL | | O RING, Trans Speed Sensor |
| 16 | 06506237AA | 6 | | | | | | | SCREW, Hex Flange Head, M8x1.25x33.00 |
| -17 | | | | | | | | | SCREW, Hex Flange Head, M8x1.25x33.00 |
| | 06504256 | 6 | | | | ECC | DGL | | |
| | | 6 | | | | EDZ | DGL | | |
| 18 | | | | | | | | | SEAL |
| | 04412522AB | 1 | | | | ECC | DGL | | |
| | | 1 | | | | EDZ | DGL | | |
| -19 | | | | | | | | | SEAL, Differential Case |
| | 04762418AB | 1 | | | | ECC | DGL | | |
| | | 1 | | | | EDZ | DGL | | |
| 20 | | | | | | | | | PLUG, Pressure Check |
| | 06036053AA | 6 | | | | ECC | DGL | | |
| | | 6 | | | | EDZ | DGL | | |
| 21 | | | | | | | | | MAGNET, Transmission |
| | 04446728 | 1 | | | | ECC | DGL | | |
| | | 1 | | | | EDZ | DGL | | |
| 22 | | | | | | | | | PAN, Transmission Oil |
| | 04431997 | 1 | | | | ECC | DGL | | |

PT CRUISER (PT)

SERIES LINE
 H = HIGHLINE Z = CHRYSLER (RHD)
 C = CHRYSLER, LHD

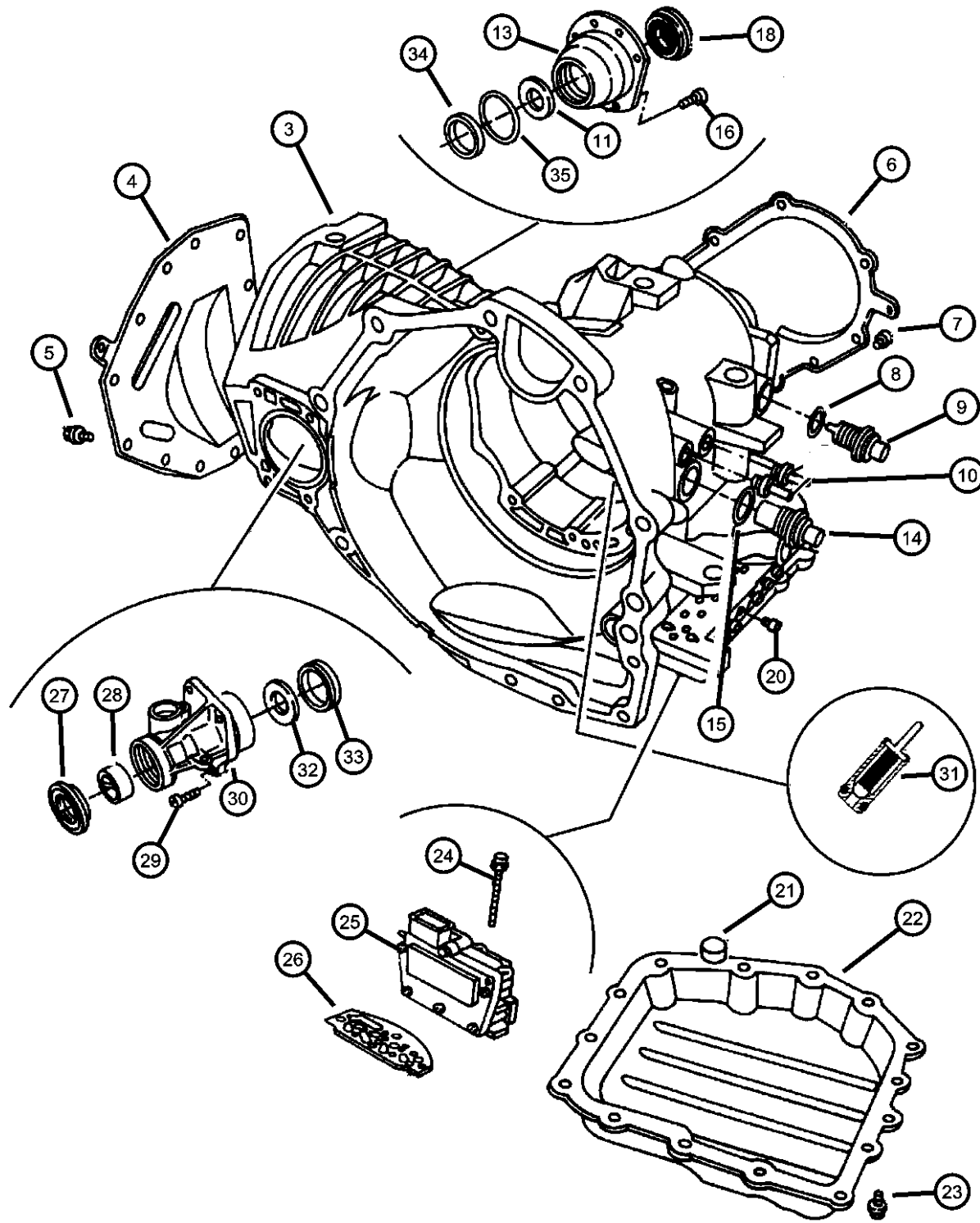
BODY
 44 = Four Door

ENGINE
 ECC = ENGINE - 2.0L 4 CYL
 DOHC 16V SMPI
 EDZ = ENGINE - 2.4L 4 CYL
 DOHC 16V SMPI

TRANSMISSION
 DGL = TRANSMISSION - 4-SPD.
 AUTOMATIC, 41TE
 DD5 = TRANSMISSION - 5-SPEED
 MANUAL
 DDO = All Manual Transmissions
 DGO = All Automatics

AR = use ase required - = Non illustrated part

Case & Related Parts
Figure 41TE-220



| ITEM | PART NUMBER | QTY | LINE | SERIES | BODY | ENGINE | TRANS | TRIM | DESCRIPTION |
|------|-------------|-----|------|--------|------|--------|-------|------|---|
| 23 | 06501474 | 14 | | | | EDZ | DGL | | BOLT, Hex Head, M8x1.25x16 |
| 24 | 06506194AA | 3 | | | | ECC | DGL | | SCREW AND WASHER, Hex Head, M6x1x93.5 |
| 25 | 05015646AB | 3 | | | | ECC | DGL | | SOLENOID PACKAGE, Valve Body |
| 26 | 04659982 | 1 | | | | EDZ | DGL | | GASKET, Transmission Solenoid |
| 27 | 04412522AB | 1 | | | | ECC | DGL | | SEAL |
| 28 | 06500511 | 1 | | | | EDZ | DGL | | BUSHING, BUSHING, Trans. Extension (Serviced in Ext.), (NOT SERVICED) |
| 29 | 04567506 | 4 | | | | ECC | DGL | | SCREW, Flange Head, M8x1.25x33 |
| 30 | 04567506 | 4 | | | | EDZ | DGL | | CASE, Transaxle Rear |
| 31 | 04659946AB | 1 | | | | ECC | DGL | | VALVE, Cooler Bypass |
| 32 | 04567494 | 1 | | | | EDZ | DGL | | RETAINER, Transmission Extension Oil |
| 33 | 04567022 | 1 | | | | ECC | DGL | | BEARING CUP, Differential |
| 34 | | 1 | | | | EDZ | DGL | | CUP, Differential Side |

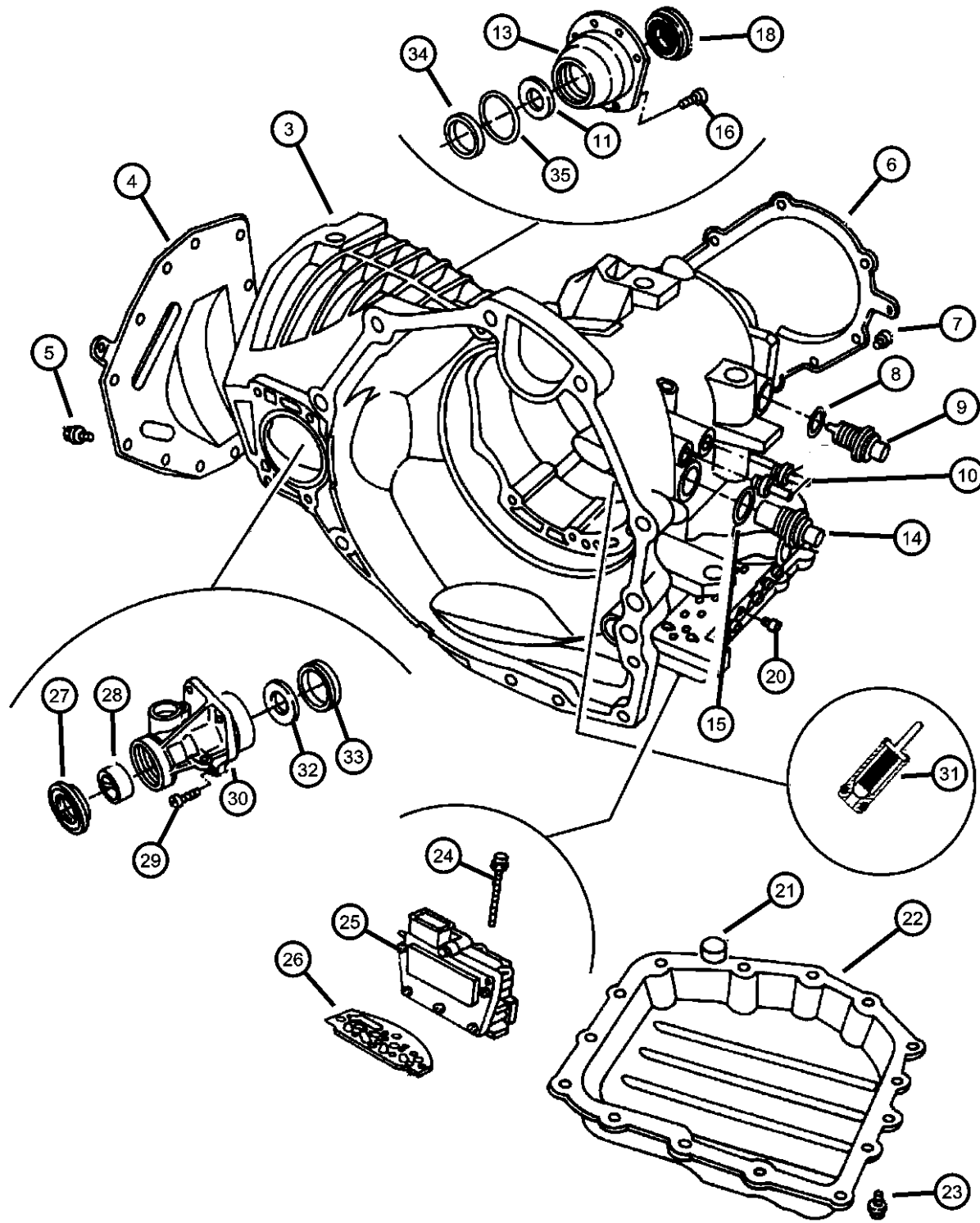
PT CRUISER (PT)

| | | | | |
|--------------|---|----------------|--|--|
| SERIES | LINE | BODY | ENGINE | TRANSMISSION |
| H = HIGHLINE | Z = CHRYSLER (RHD) C = CHRYSLER, LHD | 44 = Four Door | ECC = ENGINE - 2.0L 4 CYL DOHC 16V SMPI EDZ = ENGINE - 2.4L 4 CYL DOHC 16V SMPI | DGL = TRANSMISSION - 4-SPD. AUTOMATIC, 41TE DD5 = TRANSMISSION - 5-SPEED MANUAL DDO = All Manual Transmissions DGO = All Automatics |

AR = use ase required - = Non illustrated part

2001 PT

Case & Related Parts
Figure 41TE-220



| ITEM | PART NUMBER | QTY | LINE | SERIES | BODY | ENGINE | TRANS | TRIM | DESCRIPTION |
|------|-------------|-----|------|--------|------|--------|-------|------|-----------------------------|
| | 04659237 | 1 | | | | ECC | DGL | | |
| | | 1 | | | | EDZ | DGL | | |
| 35 | 04659257 | AR | | | | ECC | DGL | | SPACER, Final Drive, 0.98mm |
| | | AR | | | | EDZ | DGL | | |
| -36 | 04659258 | AR | | | | ECC | DGL | | SPACER, Final Drive, 1.02mm |
| | | AR | | | | EDZ | DGL | | |
| -37 | 04659259 | AR | | | | ECC | DGL | | SPACER, Final Drive, 1.06mm |
| | | AR | | | | EDZ | DGL | | |
| -38 | 04659260 | AR | | | | ECC | DGL | | SPACER, Final Drive, 1.10mm |
| | | AR | | | | EDZ | DGL | | |
| -39 | 04659261 | AR | | | | ECC | DGL | | SPACER, Final Drive, 1.14mm |
| | | AR | | | | EDZ | DGL | | |
| -40 | 04659262 | AR | | | | ECC | DGL | | SPACER, Final Drive, 1.18mm |
| | | AR | | | | EDZ | DGL | | |
| -41 | 04659263 | AR | | | | ECC | DGL | | SPACER, Final Drive, 1.22mm |
| | | AR | | | | EDZ | DGL | | |
| -42 | 04659264 | AR | | | | ECC | DGL | | SPACER, Final Drive, 1.26mm |
| | | AR | | | | EDZ | DGL | | |
| -43 | 04659265 | AR | | | | ECC | DGL | | SPACER, Final Drive, 1.30mm |
| | | AR | | | | EDZ | DGL | | |
| -44 | 04659266 | AR | | | | ECC | DGL | | SPACER, Final Drive, 1.34mm |
| | | AR | | | | EDZ | DGL | | |
| -45 | | | | | | | | | SPACER, Final Drive, 1.38mm |

PT CRUISER (PT)

SERIES LINE

H = HIGHLINE Z = CHRYSLER (RHD)
C = CHRYSLER, LHD

BODY

44 = Four Door

ENGINE

ECC = ENGINE - 2.0L 4 CYL
DOHC 16V SMPI
EDZ = ENGINE - 2.4L 4 CYL
DOHC 16V SMPI

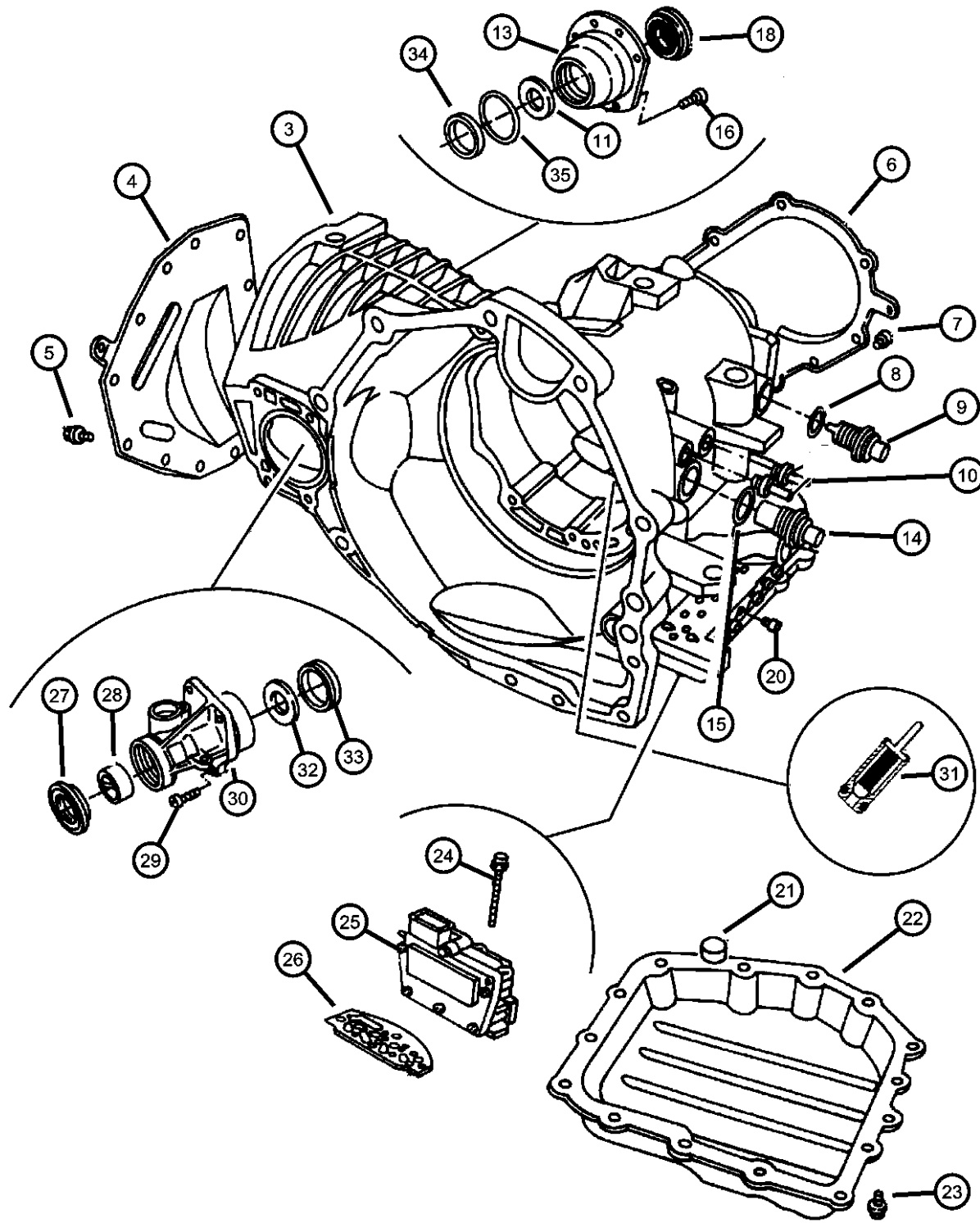
TRANSMISSION

DGL = TRANSMISSION - 4-SPD.
AUTOMATIC, 41TE
DD5 = TRANSMISSION - 5-SPEED
MANUAL
DDO = All Manual Transmissions
DGO = All Automatics

AR = use ase required - = Non illustrated part

2001 PT

Case & Related Parts
Figure 41TE-220



| ITEM | PART NUMBER | QTY | LINE | SERIES | BODY | ENGINE | TRANS | TRIM | DESCRIPTION |
|------|-------------|-----|------|--------|------|--------|-------|------|-----------------------------|
| | 04659267 | AR | | | | ECC | DGL | | |
| | | AR | | | | EDZ | DGL | | |
| -46 | | | | | | | | | SPACER, Final Drive, 1.42mm |
| | 04659268 | AR | | | | ECC | DGL | | |
| | | AR | | | | EDZ | DGL | | |
| -47 | | | | | | | | | SPACER, Final Drive, 1.46mm |
| | 04659269 | AR | | | | ECC | DGL | | |
| | | AR | | | | EDZ | DGL | | |
| -48 | | | | | | | | | SPACER, Final Drive, 1.50mm |
| | 04659270 | AR | | | | ECC | DGL | | |
| | | AR | | | | EDZ | DGL | | |
| -49 | | | | | | | | | SPACER, Final Drive, 1.54mm |
| | 04659271 | AR | | | | ECC | DGL | | |
| | | AR | | | | EDZ | DGL | | |
| -50 | | | | | | | | | SPACER, Final Drive, 1.58mm |
| | 04659272 | AR | | | | ECC | DGL | | |
| | | AR | | | | EDZ | DGL | | |
| -51 | | | | | | | | | SPACER, Final Drive, 1.62mm |
| | 04659273 | AR | | | | ECC | DGL | | |
| | | AR | | | | EDZ | DGL | | |
| -52 | | | | | | | | | SPACER, Final Drive, 1.66mm |
| | 04659274 | AR | | | | ECC | DGL | | |
| | | AR | | | | EDZ | DGL | | |
| -53 | | | | | | | | | SPACER, Final Drive, 1.70mm |
| | 04659275 | AR | | | | ECC | DGL | | |
| | | AR | | | | EDZ | DGL | | |
| -54 | | | | | | | | | SPACER, Final Drive, 2.02mm |
| | 04659283 | AR | | | | ECC | DGL | | |
| | | AR | | | | EDZ | DGL | | |
| -55 | | | | | | | | | SPACER, Final Drive, 2.06mm |
| | 04659284 | AR | | | | ECC | DGL | | |
| | | AR | | | | EDZ | DGL | | |

PT CRUISER (PT)

SERIES LINE

H = HIGHLINE Z = CHRYSLER (RHD)
C = CHRYSLER, LHD

BODY

44 = Four Door

ENGINE

ECC = ENGINE - 2.0L 4 CYL
DOHC 16V SMPI
EDZ = ENGINE - 2.4L 4 CYL
DOHC 16V SMPI

TRANSMISSION

DGL = TRANSMISSION - 4-SPD.
AUTOMATIC, 41TE
DD5 = TRANSMISSION - 5-SPEED
MANUAL
DDO = All Manual Transmissions
DGO = All Automatics

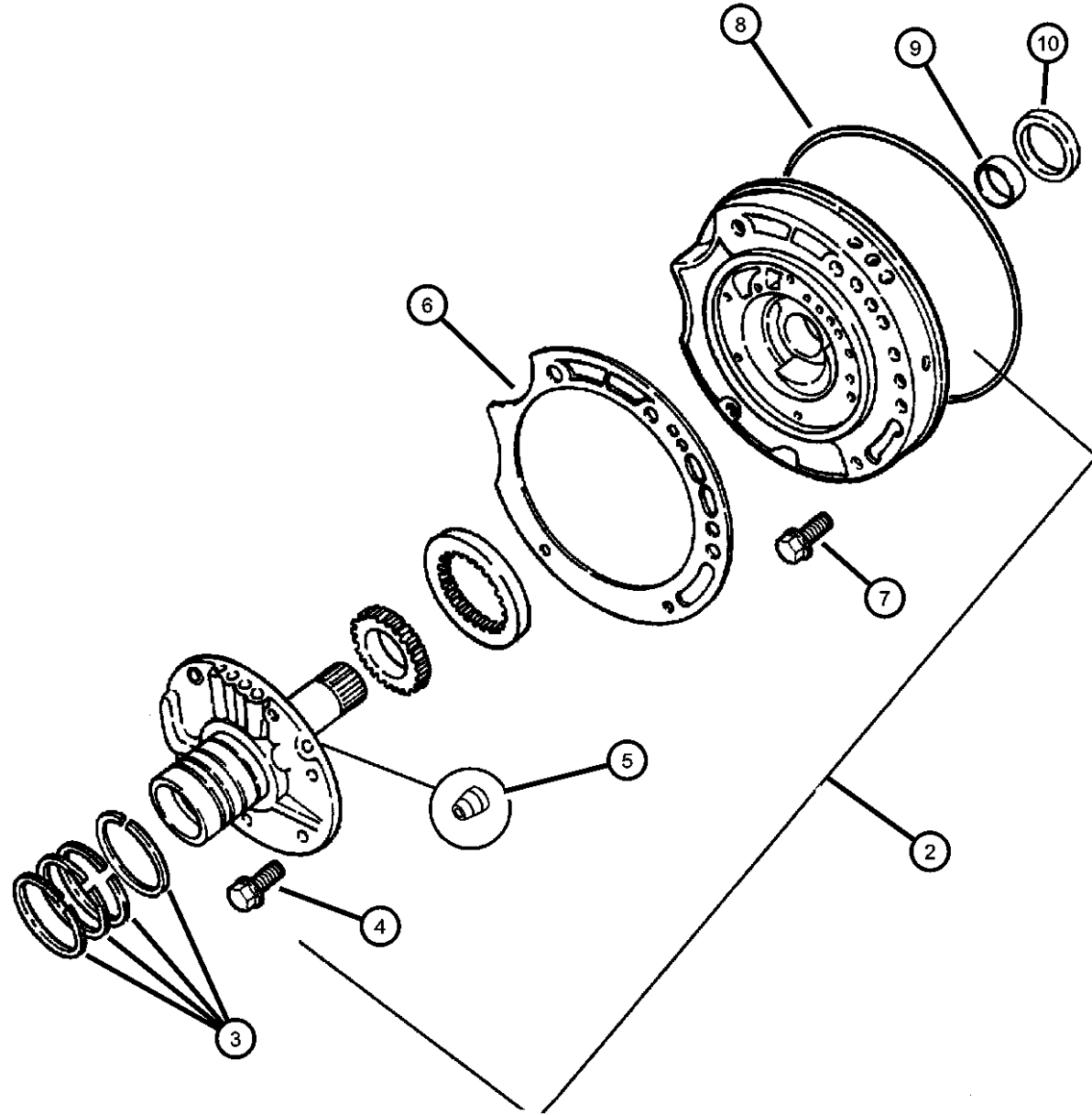
AR = use ase required - = Non illustrated part

2001 PT

**Pump, Oil with Reaction Shaft
Figure 41TE-310**

| ITEM | PART NUMBER | QTY | LINE | SERIES | BODY | ENGINE | TRANS | TRIM | DESCRIPTION |
|------|-------------|-----|------|--------|------|--------|-------|------|-------------|
|------|-------------|-----|------|--------|------|--------|-------|------|-------------|

NOTE; SALES CODES: DGL = 4 Spd Auto Trans 41TE - FWD
 ECC = 2.0L 4 CYL DOHC
 EDZ = 2.4L 4 CYL DOHC



| | | | | | | | | | |
|----|------------|---|--|--|--|-----|-----|--|---|
| -1 | | | | | | | | | SEAL AND GASKET PACKAGE, Transmission Oil Pump |
| | 04883260 | 1 | | | | ECC | DGL | | |
| | | 1 | | | | EDZ | DGL | | |
| 2 | 04567869AB | 1 | | | | ECC | DGL | | PUMP, Transmission Oil |
| | R4567869AB | | | | | | | | Mopar Remanufactured Part |
| | | 1 | | | | EDZ | DGL | | |
| | R4567869AB | | | | | | | | Mopar Remanufactured Part |
| 3 | | | | | | | | | SEAL, Ring Reaction Support, 2 1/16 O.D. |
| | 04471874 | 4 | | | | ECC | DGL | | |
| | | 4 | | | | EDZ | DGL | | |
| 4 | | | | | | | | | BOLT, Hex Head, M8x1.25x19 |
| | 06500211 | 6 | | | | ECC | DGL | | |
| | | 6 | | | | EDZ | DGL | | |
| 5 | | | | | | | | | BALL, Check |
| | 04446616 | 2 | | | | ECC | DGL | | |
| | | 2 | | | | EDZ | DGL | | |
| 6 | | | | | | | | | GASKET, Transmission Oil Pump |
| | 04412844 | 1 | | | | ECC | DGL | | |
| | | 1 | | | | EDZ | DGL | | |
| 7 | | | | | | | | | SCREW AND WASHER, Hex Flange Head, M8x1.25x25 |
| | 06506408AA | 5 | | | | ECC | DGL | | |
| | | 5 | | | | EDZ | DGL | | |
| 8 | | | | | | | | | SEAL, Oil Pump |
| | 04659945 | 1 | | | | ECC | DGL | | Rubber |
| | | 1 | | | | EDZ | DGL | | Rubber |
| 9 | | | | | | | | | BUSHING, Front Pump |
| | 02466796 | 1 | | | | ECC | DGL | | |
| | | 1 | | | | EDZ | DGL | | |
| 10 | | | | | | | | | SEAL, Impeller Hub, 57.25mm OD |

PT CRUISER (PT)

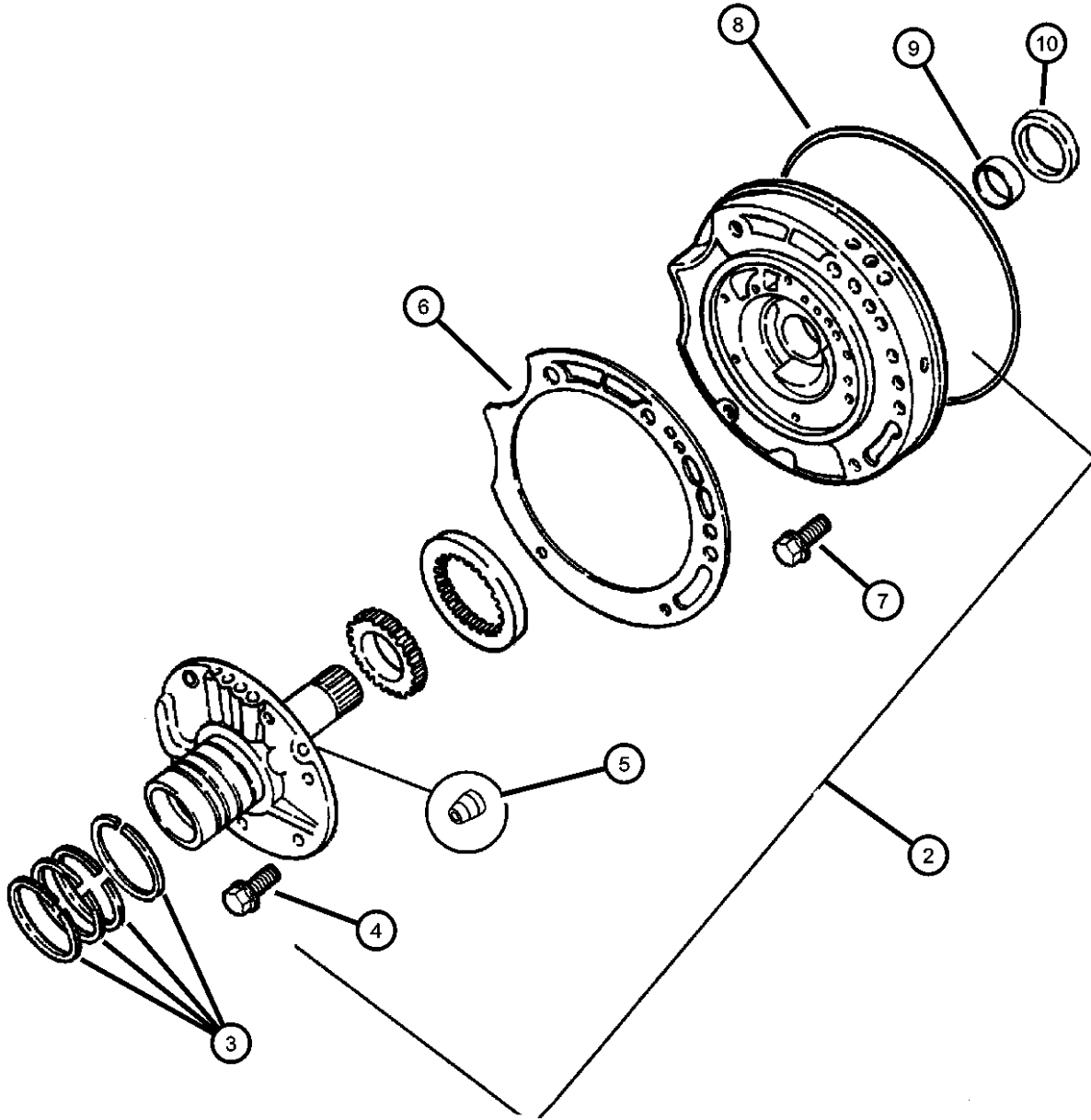
| SERIES | LINE | BODY | ENGINE | TRANSMISSION |
|--------------|---|----------------|--|--|
| H = HIGHLINE | Z = CHRYSLER (RHD) C = CHRYSLER, LHD | 44 = Four Door | ECC = ENGINE - 2.0L 4 CYL DOHC 16V SMPI EDZ = ENGINE - 2.4L 4 CYL DOHC 16V SMPI | DGL = TRANSMISSION - 4-SPD. AUTOMATIC, 41TE DD5 = TRANSMISSION - 5-SPEED MANUAL DDO = All Manual Transmissions DGO = All Automatics |

AR = use ase required - = Non illustrated part

2001 PT

Pump, Oil with Reaction Shaft
Figure 41TE-310

| ITEM | PART NUMBER | QTY | LINE | SERIES | BODY | ENGINE | TRANS | TRIM | DESCRIPTION |
|------|-------------|-----|------|--------|------|--------|-------|------|-------------|
| | 04412475 | 1 | | | | ECC | DGL | | |
| | | 1 | | | | EDZ | DGL | | |



PT CRUISER (PT)

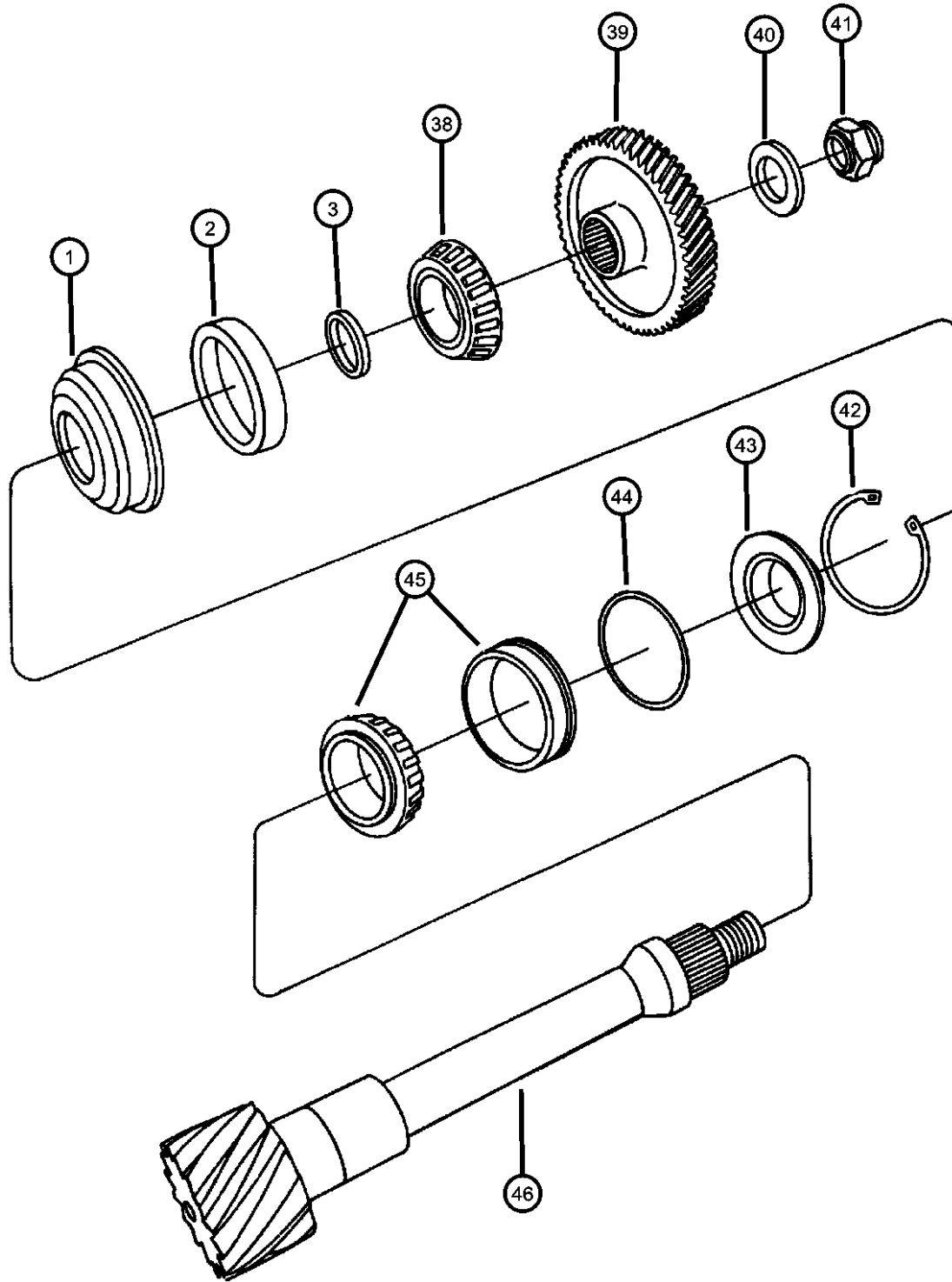
SERIES LINE
 H = HIGHLINE Z = CHRYSLER (RHD)
 C = CHRYSLER, LHD

BODY
 44 = Four Door

ENGINE TRANSMISSION
 ECC = ENGINE - 2.0L 4 CYL DOHC 16V SMPI DGL = TRANSMISSION - 4-SPD. AUTOMATIC, 41TE
 EDZ = ENGINE - 2.4L 4 CYL DOHC 16V SMPI DD5 = TRANSMISSION - 5-SPEED MANUAL
 DDO = All Manual Transmissions
 DGO = All Automatics

AR = use ase required - = Non illustrated part

Shaft Transfer
Figure 41TE-410



NOTE;
SALES CODES;
DGL = 4 Spd Auto Trans 41TE - FWD
ECC = 2.0L 4 CYL DOHC
EDZ = 2.4L 4 CYL DOHC

| ITEM | PART NUMBER | QTY | LINE | SERIES | BODY | ENGINE | TRANS | TRIM | DESCRIPTION |
|------|-------------|-----|------|--------|------|--------|-------|------|---------------------------------|
| 1 | 04412273 | 1 | | | | ECC | DGL | | RETAINER, Transfer Gear Bearing |
| | | 1 | | | | EDZ | DGL | | |
| 2 | 04504041 | 1 | | | | ECC | DGL | | BEARING CUP, Transfer Shaft |
| | | 1 | | | | EDZ | DGL | | |
| 3 | 04505570AB | 1 | | | | ECC | DGL | | SPACER, Transfer Shaft, 3.22mm |
| | | 1 | | | | EDZ | DGL | | |
| -4 | 04412801AB | 1 | | | | ECC | DGL | | SPACER, Transfer Shaft, 3.26mm |
| | | 1 | | | | EDZ | DGL | | |
| -5 | 04412802AB | 1 | | | | ECC | DGL | | SPACER, Transfer Shaft, 3.30mm |
| | | 1 | | | | EDZ | DGL | | |
| -6 | 04412803AB | 1 | | | | ECC | DGL | | SPACER, Transfer Shaft, 3.34mm |
| | | 1 | | | | EDZ | DGL | | |
| -7 | 04412804AB | 1 | | | | ECC | DGL | | SPACER, Transfer Shaft, 3.38mm |
| | | 1 | | | | EDZ | DGL | | |
| -8 | 04412806AB | 1 | | | | ECC | DGL | | SPACER, Output Shaft, 3.46mm |
| | | 1 | | | | EDZ | DGL | | |
| -9 | 04412807AB | 1 | | | | ECC | DGL | | SPACER, Output Shaft, 3.50mm |
| | | 1 | | | | EDZ | DGL | | |
| -10 | 04412808AB | 1 | | | | ECC | DGL | | SPACER, Output Shaft, 3.54mm |
| | | 1 | | | | EDZ | DGL | | |

PT CRUISER (PT)

SERIES LINE
H = HIGHLINE Z = CHRYSLER (RHD)
C = CHRYSLER, LHD

BODY
44 = Four Door

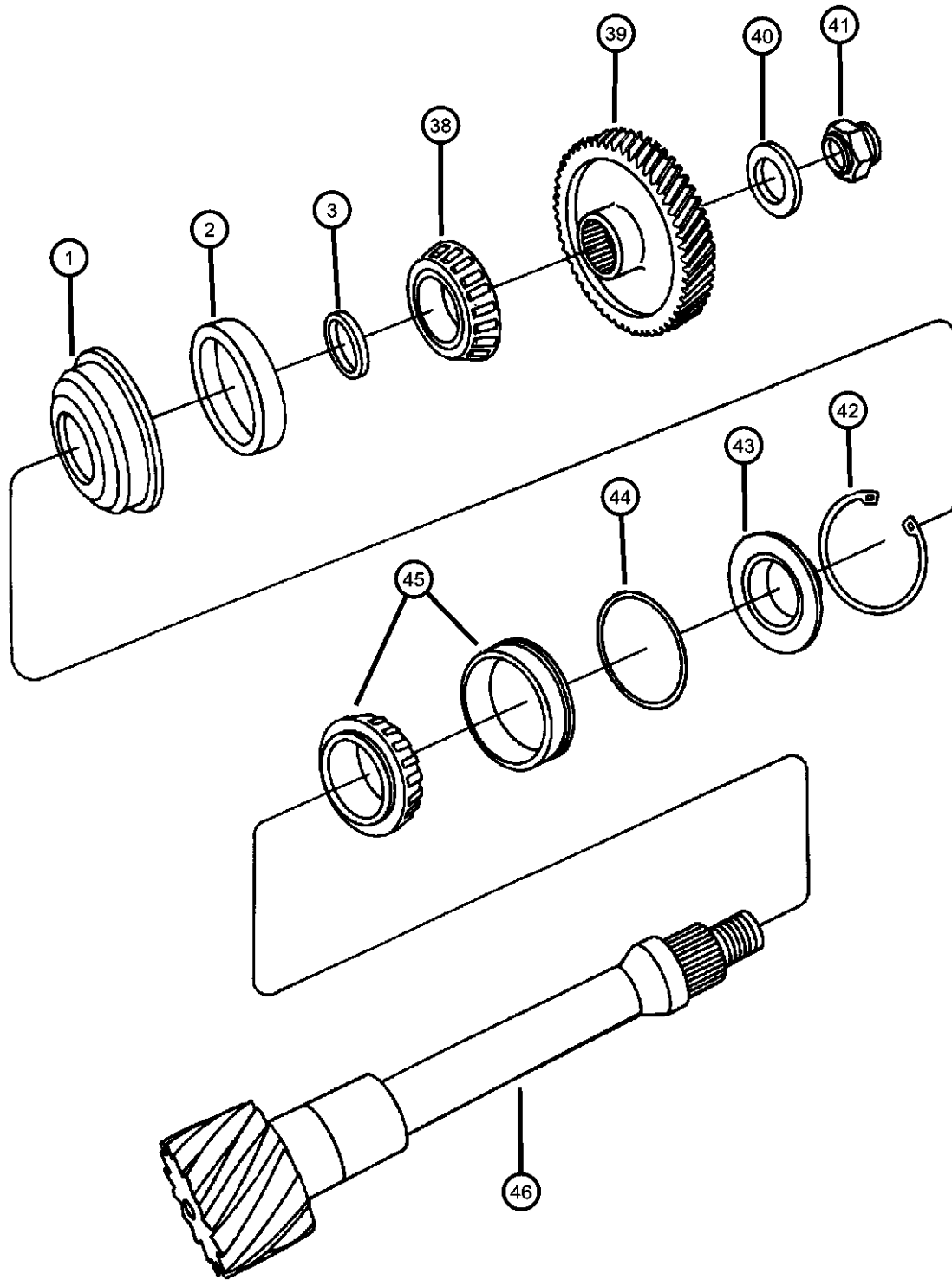
ENGINE
ECC = ENGINE - 2.0L 4 CYL DOHC 16V SMPI
EDZ = ENGINE - 2.4L 4 CYL DOHC 16V SMPI

TRANSMISSION
DGL = TRANSMISSION - 4-SPD. AUTOMATIC, 41TE
DD5 = TRANSMISSION - 5-SPEED MANUAL
DDO = All Manual Transmissions
DGO = All Automatics

AR = use ase required - = Non illustrated part

2001 PT

**Shaft Transfer
Figure 41TE-410**



| ITEM | PART NUMBER | QTY | LINE | SERIES | BODY | ENGINE | TRANS | TRIM | DESCRIPTION |
|------|-------------|-----|------|--------|------|--------|-------|------|------------------------------|
| -11 | 04412809AB | 1 | | | | ECC | DGL | | SPACER, Output Shaft, 3.58mm |
| | | 1 | | | | EDZ | DGL | | |
| -12 | 04412809AB | 1 | | | | ECC | DGL | | SPACER, Output Shaft, 3.58mm |
| | | 1 | | | | EDZ | DGL | | |
| -13 | 04412810AB | 1 | | | | ECC | DGL | | SPACER, Output Shaft, 3.62mm |
| | | 1 | | | | EDZ | DGL | | |
| -14 | 04412812AB | 1 | | | | ECC | DGL | | SPACER, Output Shaft, 3.70mm |
| | | 1 | | | | EDZ | DGL | | |
| -15 | 04412813AB | 1 | | | | ECC | DGL | | SPACER, Output Shaft, 3.74mm |
| | | 1 | | | | EDZ | DGL | | |
| -16 | 04412814AB | 1 | | | | ECC | DGL | | SPACER, Output Shaft, 3.78mm |
| | | 1 | | | | EDZ | DGL | | |
| -17 | 04412815AB | 1 | | | | ECC | DGL | | SPACER, Output Shaft, 3.82mm |
| | | 1 | | | | EDZ | DGL | | |
| -18 | 04412816AB | 1 | | | | ECC | DGL | | SPACER, Output Shaft, 3.86mm |
| | | 1 | | | | EDZ | DGL | | |
| -19 | 04412817AB | 1 | | | | ECC | DGL | | SPACER, Output Shaft, 3.90mm |
| | | 1 | | | | EDZ | DGL | | |
| -20 | 04412818AB | 1 | | | | ECC | DGL | | SPACER, Output Shaft, 3.94mm |
| | | 1 | | | | EDZ | DGL | | |
| -21 | 04412819AB | 1 | | | | ECC | DGL | | SPACER, Output Shaft, 3.98mm |
| | | 1 | | | | EDZ | DGL | | |

PT CRUISER (PT)

SERIES LINE
H = HIGHLINE Z = CHRYSLER (RHD)
 C = CHRYSLER, LHD

BODY
44 = Four Door

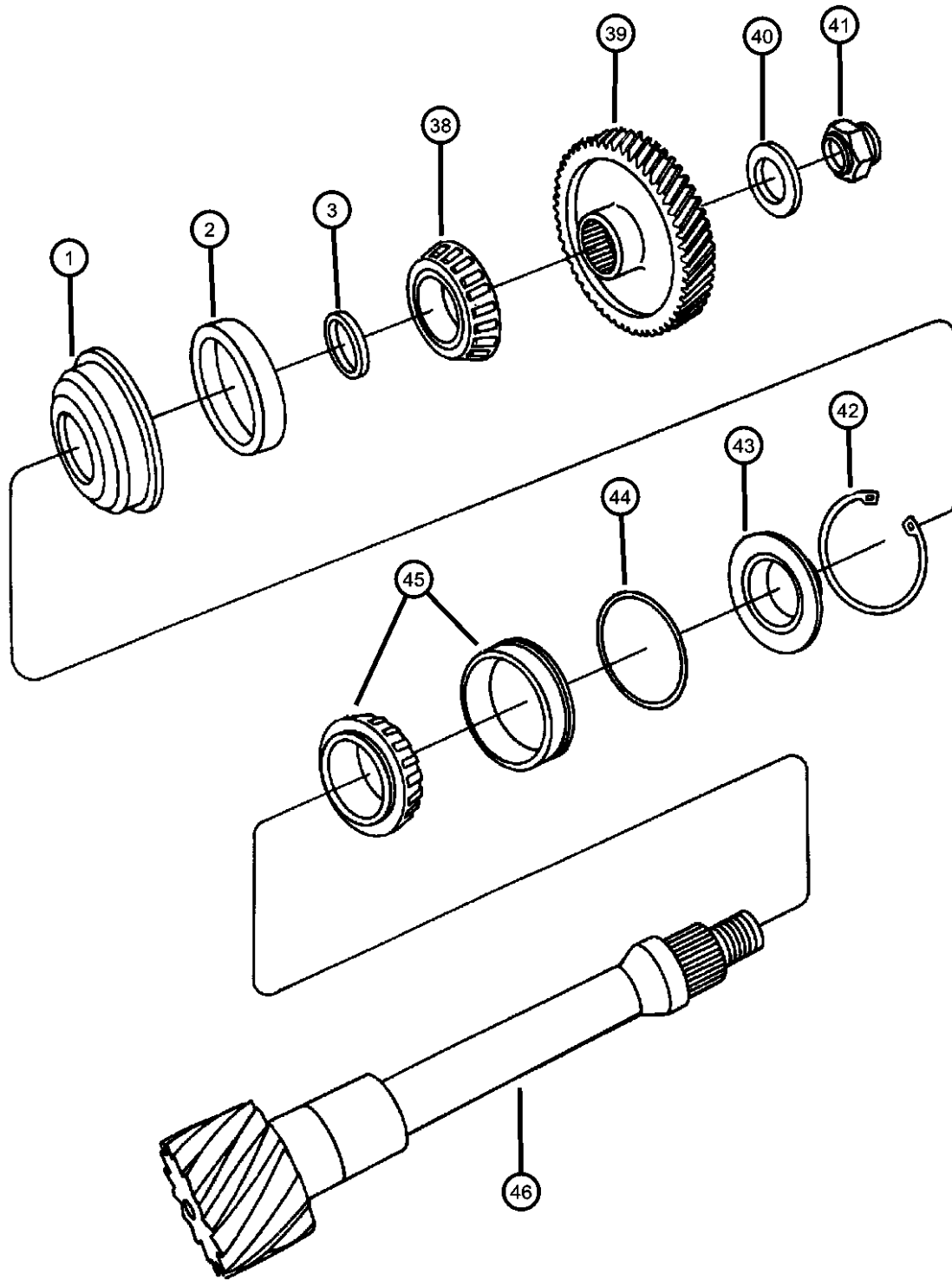
ENGINE
ECC = ENGINE - 2.0L 4 CYL
DOHC 16V SMPI
EDZ = ENGINE - 2.4L 4 CYL
DOHC 16V SMPI

TRANSMISSION
DGL = TRANSMISSION - 4-SPD.
AUTOMATIC, 41TE
DD5 = TRANSMISSION - 5-SPEED
MANUAL
DDO = All Manual Transmissions
DGO = All Automatics

AR = use ase required - = Non illustrated part

2001 PT

Shaft Transfer
Figure 41TE-410



| ITEM | PART NUMBER | QTY | LINE | SERIES | BODY | ENGINE | TRANS | TRIM | DESCRIPTION |
|------|-------------|-----|------|--------|------|--------|-------|------|------------------------------|
| -22 | 04412820AB | 1 | | | | ECC | DGL | | SPACER, Output Shaft, 4.02mm |
| | | 1 | | | | EDZ | DGL | | |
| -23 | 04412821AB | 1 | | | | ECC | DGL | | SPACER, Output Shaft, 4.06mm |
| | | 1 | | | | EDZ | DGL | | |
| -24 | 04412822AB | 1 | | | | ECC | DGL | | SPACER, Output Shaft, 4.10mm |
| | | 1 | | | | EDZ | DGL | | |
| -25 | 04412823AB | 1 | | | | ECC | DGL | | SPACER, Output Shaft, 4.14mm |
| | | 1 | | | | EDZ | DGL | | |
| -26 | 04412824AB | 1 | | | | ECC | DGL | | SPACER, Output Shaft, 4.18mm |
| | | 1 | | | | EDZ | DGL | | |
| -27 | 04412825AB | 1 | | | | ECC | DGL | | SPACER, Output Shaft, 4.22mm |
| | | 1 | | | | EDZ | DGL | | |
| -28 | 04412826AB | 1 | | | | ECC | DGL | | SPACER, Output Shaft, 4.26mm |
| | | 1 | | | | EDZ | DGL | | |
| -29 | 04412827AB | 1 | | | | ECC | DGL | | SPACER, Output Shaft, 4.30mm |
| | | 1 | | | | EDZ | DGL | | |
| -30 | 04412828AB | 1 | | | | ECC | DGL | | SPACER, Output Shaft, 4.34mm |
| | | 1 | | | | EDZ | DGL | | |
| -31 | 04412829AB | 1 | | | | ECC | DGL | | SPACER, Output Shaft, 4.38mm |
| | | 1 | | | | EDZ | DGL | | |
| -32 | 04412830AB | 1 | | | | ECC | DGL | | SPACER, Output Shaft, 4.42mm |
| | | 1 | | | | EDZ | DGL | | |

PT CRUISER (PT)

SERIES LINE
H = HIGHLINE Z = CHRYSLER (RHD)
C = CHRYSLER, LHD

BODY
44 = Four Door

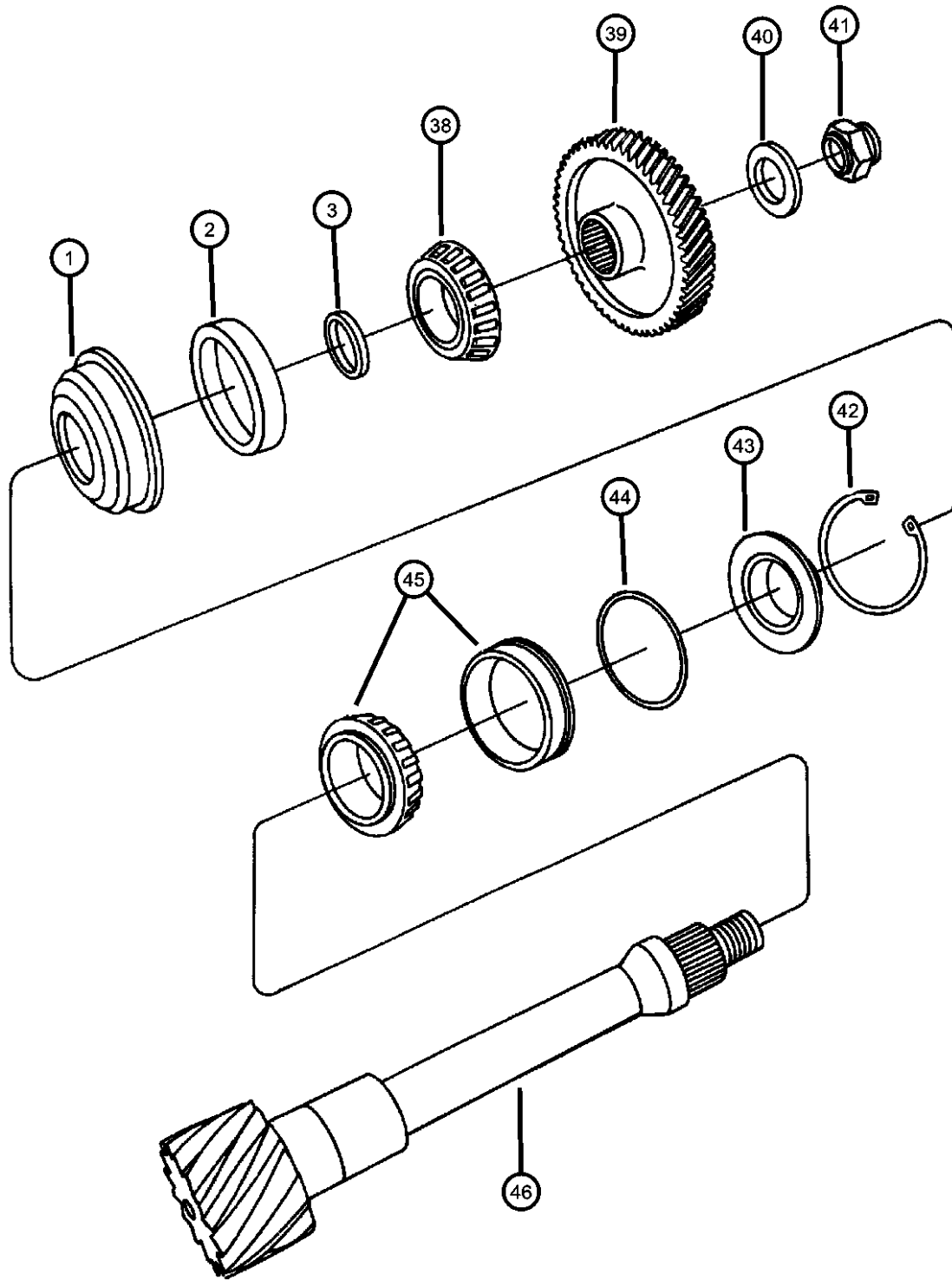
ENGINE
ECC = ENGINE - 2.0L 4 CYL
DOHC 16V SMPI
EDZ = ENGINE - 2.4L 4 CYL
DOHC 16V SMPI

TRANSMISSION
DGL = TRANSMISSION - 4-SPD.
AUTOMATIC, 41TE
DD5 = TRANSMISSION - 5-SPEED
MANUAL
DDO = All Manual Transmissions
DGO = All Automatics

AR = use ase required - = Non illustrated part

2001 PT

Shaft Transfer
Figure 41TE-410



| ITEM | PART NUMBER | QTY | LINE | SERIES | BODY | ENGINE | TRANS | TRIM | DESCRIPTION |
|------|-------------|-----|------|--------|------|--------|-------|------|---|
| -33 | 04412831AB | 1 | | | | ECC | DGL | | SPACER, Transfer Shaft, 4.46mm |
| | | 1 | | | | EDZ | DGL | | |
| -34 | 04412832AB | 1 | | | | ECC | DGL | | SPACER, Transfer Shaft, 4.50mm |
| | | 1 | | | | EDZ | DGL | | |
| -35 | 04412833AB | 1 | | | | ECC | DGL | | SPACER, Transfer Shaft, 4.54mm |
| | | 1 | | | | EDZ | DGL | | |
| -36 | 04412835AB | 1 | | | | ECC | DGL | | SPACER, Transfer Shaft, 4.62mm |
| | | 1 | | | | EDZ | DGL | | |
| -37 | 04505588AB | 1 | | | | ECC | DGL | | SPACER, Transfer Shaft, 4.66mm |
| | | 1 | | | | EDZ | DGL | | |
| 38 | 04504042 | 1 | | | | ECC | DGL | | BEARING PACKAGE, Transfer Shaft |
| | | 1 | | | | EDZ | DGL | | |
| 39 | 04713444 | 1 | | | | EDZ | DGL | | GEAR PACKAGE, Output And Transfer Shaft |
| | 04773275 | 1 | | | | ECC | DGL | | |
| 40 | 06501833 | 1 | | | | ECC | DGL | | WASHER, Coned, M22.6x45x3.42 |
| | | 1 | | | | EDZ | DGL | | |
| 41 | 06502611 | 1 | | | | ECC | DGL | | LOCK NUT, M22x1.50 |
| | | 1 | | | | EDZ | DGL | | |
| 42 | 06501936 | 1 | | | | ECC | DGL | | SNAP RING |
| | | 1 | | | | EDZ | DGL | | |
| 43 | 04471869 | 1 | | | | ECC | DGL | | BAFFLE, Transfer Shaft |

PT CRUISER (PT)

SERIES LINE
H = HIGHLINE Z = CHRYSLER (RHD)
C = CHRYSLER, LHD

BODY
44 = Four Door

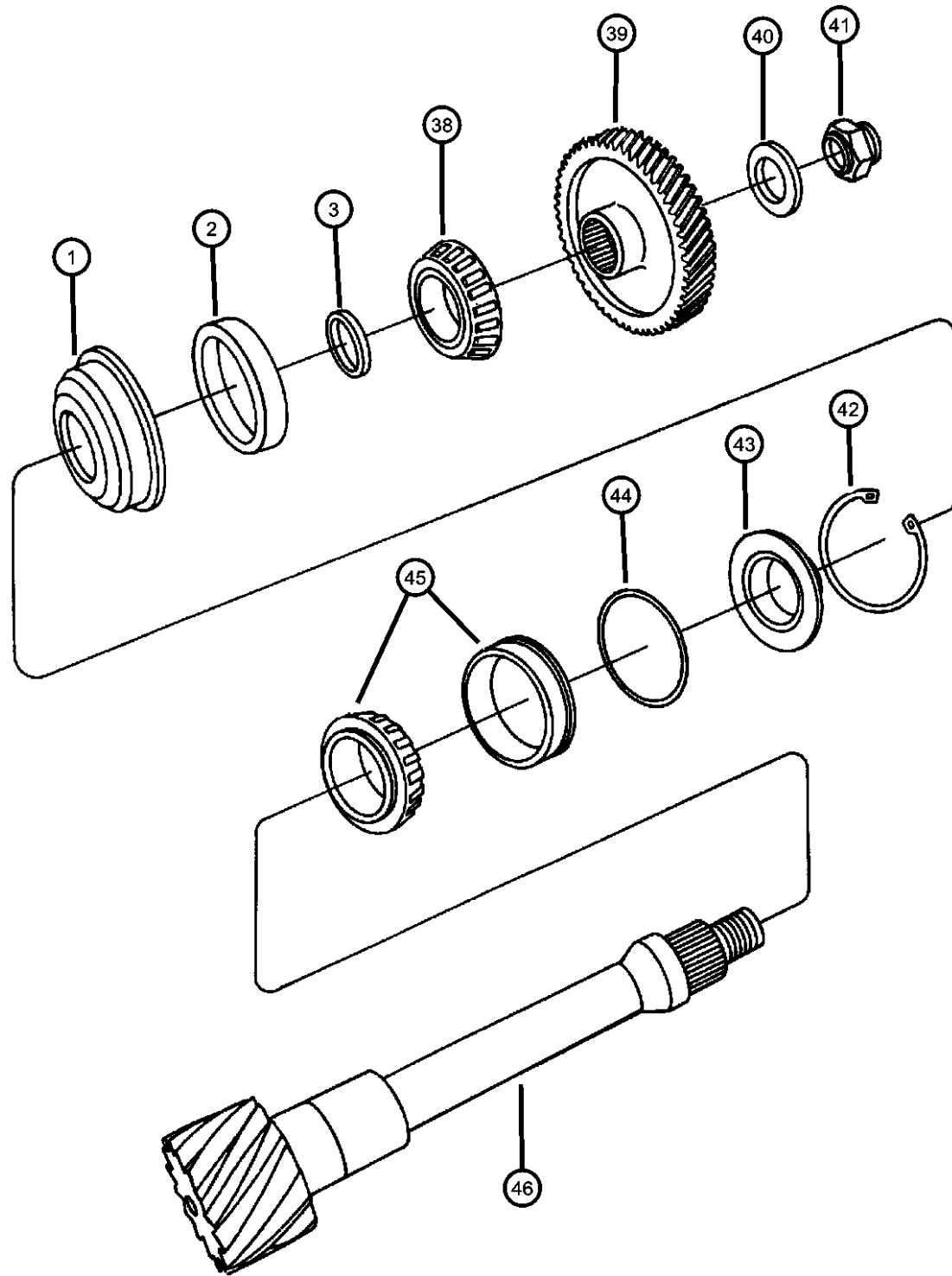
ENGINE
ECC = ENGINE - 2.0L 4 CYL DOHC 16V SMPI
EDZ = ENGINE - 2.4L 4 CYL DOHC 16V SMPI

TRANSMISSION
DGL = TRANSMISSION - 4-SPD. AUTOMATIC, 41TE
DD5 = TRANSMISSION - 5-SPEED MANUAL
DDO = All Manual Transmissions
DGO = All Automatics

AR = use ase required - = Non illustrated part

2001 PT

Shaft Transfer
Figure 41TE-410



| ITEM | PART NUMBER | QTY | LINE | SERIES | BODY | ENGINE | TRANS | TRIM | DESCRIPTION |
|------|-------------|-----|------|--------|------|--------|-------|------|--|
| 44 | | 1 | | | | EDZ | DGL | | O RING, Transfer Shaft Bearing Retainer, ATX |
| | 06501768 | 1 | | ECC | | DGL | | | |
| | | 1 | | EDZ | | DGL | | | |
| 45 | | 1 | | | | | | | BEARING PACKAGE, Transfer Shaft |
| | 04856911 | 1 | | ECC | | DGL | | | |
| | | 1 | | EDZ | | DGL | | | |
| 46 | | 1 | | | | | | | SHAFT, Transfer Gear |
| | 04531976 | 1 | | ECC | | DGL | | | |
| | | 1 | | EDZ | | DGL | | | |

PT CRUISER (PT)

SERIES LINE
H = HIGHLINE Z = CHRYSLER (RHD)
C = CHRYSLER, LHD

BODY
44 = Four Door

ENGINE TRANSMISSION
ECC = ENGINE - 2.0L 4 CYL DOHC 16V SMPI DGL = TRANSMISSION - 4-SPD. AUTOMATIC, 41TE
EDZ = ENGINE - 2.4L 4 CYL DOHC 16V SMPI DD5 = TRANSMISSION - 5-SPEED MANUAL
DDO = All Manual Transmissions
DGO = All Automatics

AR = use ase required - = Non illustrated part

2001 PT

Clutch, Input Shaft
Figure 41TE-420

| ITEM | PART NUMBER | QTY | LINE | SERIES | BODY | ENGINE | TRANS | TRIM | DESCRIPTION |
|------|-------------|-----|------|--------|------|--------|-------|------|-------------|
|------|-------------|-----|------|--------|------|--------|-------|------|-------------|

NOTE:
Sales Codes:
DGL = 4 Spd Auto Trans 41TE - FWD
ECC = 2.0L 4 CYL DOHC
EDZ = 2.4L 4 CYL DOHC

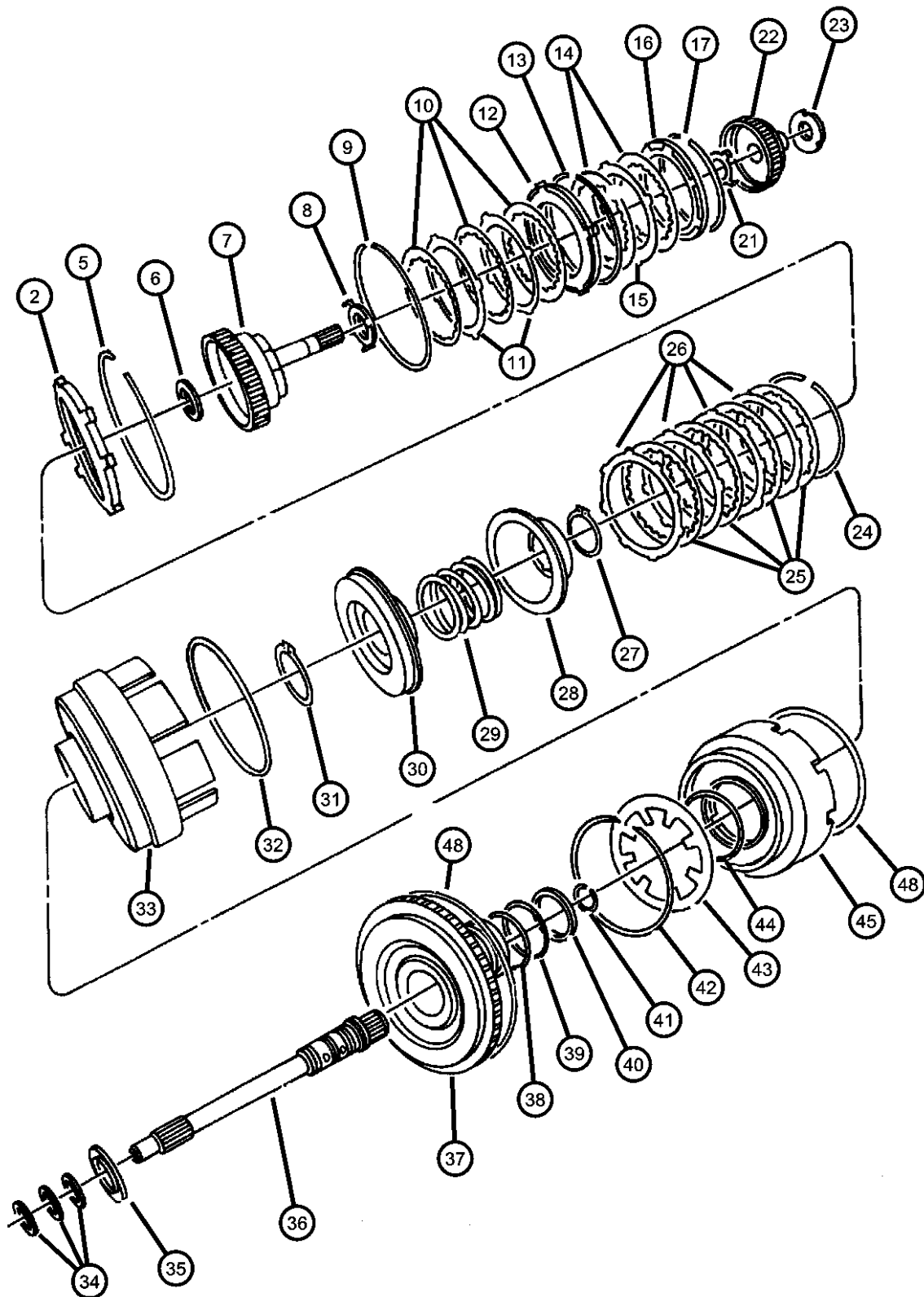
| | | | | | | | | | |
|----|------------|---|--|--|--|-----|-----|--|--|
| -1 | | | | | | | | | SEAL AND GASKET PACKAGE, Transmission Front Clutch |
| | 04883240AB | 1 | | | | ECC | DGL | | |
| | | 1 | | | | EDZ | DGL | | |
| 2 | | | | | | | | | PLATE PACKAGE, Underdrive Reaction, 5.72/5.82 |
| | 04883013AB | 1 | | | | ECC | DGL | | |
| | | 1 | | | | EDZ | DGL | | |
| -3 | | | | | | | | | PLATE PACKAGE, Underdrive Reaction, 6.21/6.31 |
| | 04883014AB | 1 | | | | ECC | DGL | | |
| | | 1 | | | | EDZ | DGL | | |
| -4 | | | | | | | | | PLATE PACKAGE, Underdrive Reaction, 6.70/6.80 |
| | 04883015AB | 1 | | | | ECC | DGL | | |
| | | 1 | | | | EDZ | DGL | | |
| 5 | | | | | | | | | SNAP RING, Underdrive Clutch, Tapered |
| | 04659934 | 1 | | | | ECC | DGL | | |
| | | 1 | | | | EDZ | DGL | | |
| 6 | | | | | | | | | THRUST BEARING |
| | 04567262 | 1 | | | | ECC | DGL | | |
| | | 1 | | | | EDZ | DGL | | |
| 7 | | | | | | | | | HUB AND SHAFT PACKAGE, Underdrive Clutch |
| | 04864936 | 1 | | | | ECC | DGL | | |
| | | 1 | | | | EDZ | DGL | | |
| 8 | | | | | | | | | THRUST WASHER, U/Drive Clutch |
| | 04659883 | 1 | | | | ECC | DGL | | |
| | | 1 | | | | EDZ | DGL | | |
| 9 | | | | | | | | | SNAP RING |
| | 04505621 | 1 | | | | ECC | DGL | | |
| | | 1 | | | | EDZ | DGL | | |
| 10 | | | | | | | | | DISC, Clutch |

PT CRUISER (PT)

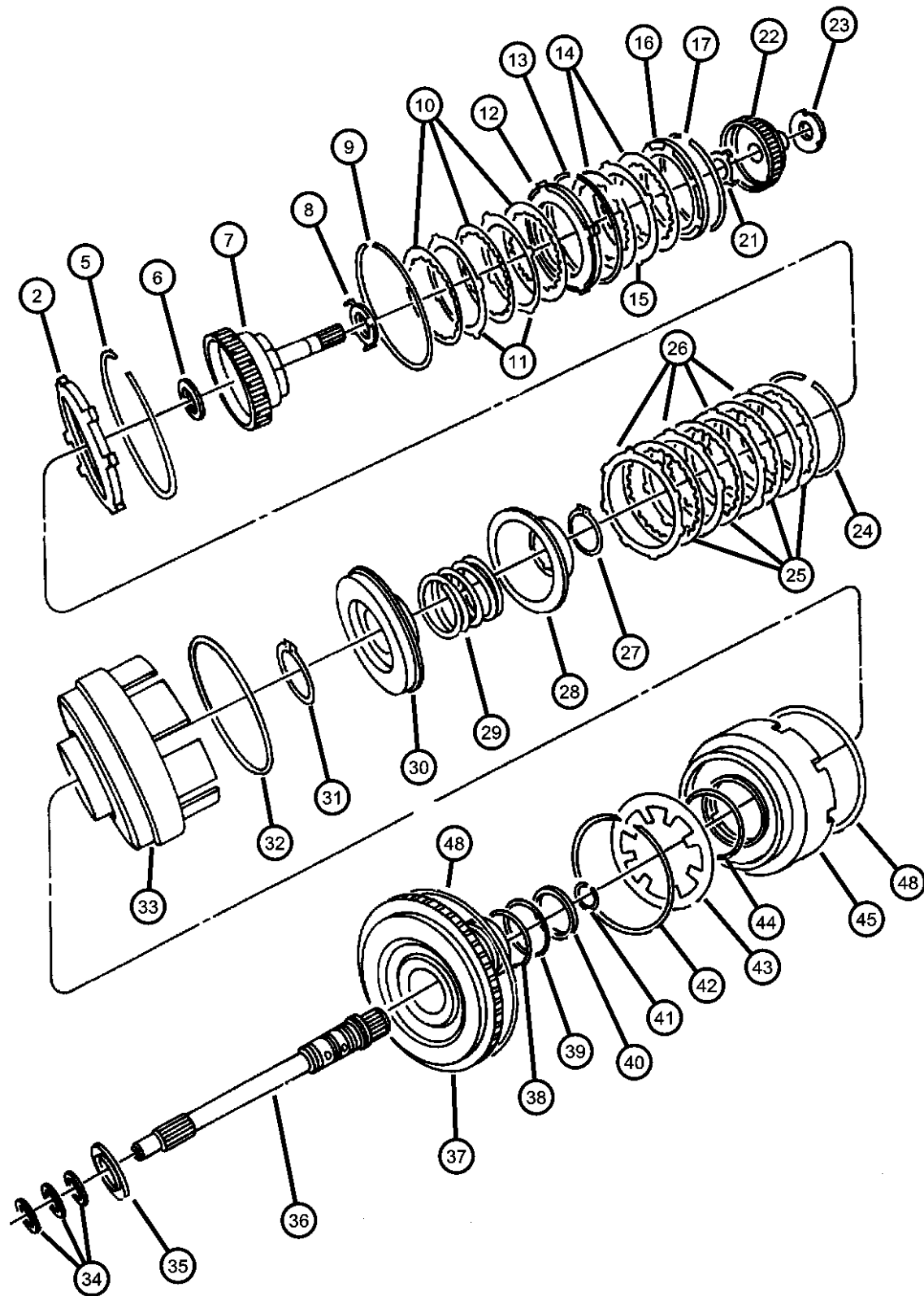
| SERIES | LINE | BODY | ENGINE | TRANSMISSION |
|--------------|---|----------------|--|--|
| H = HIGHLINE | Z = CHRYSLER (RHD) C = CHRYSLER, LHD | 44 = Four Door | ECC = ENGINE - 2.0L 4 CYL DOHC 16V SMPI EDZ = ENGINE - 2.4L 4 CYL DOHC 16V SMPI | DGL = TRANSMISSION - 4-SPD. AUTOMATIC, 41TE DD5 = TRANSMISSION - 5-SPEED MANUAL DDO = All Manual Transmissions DGO = All Automatics |

AR = use ase required - = Non illustrated part

2001 PT



Clutch, Input Shaft
Figure 41TE-420



| ITEM | PART NUMBER | QTY | LINE | SERIES | BODY | ENGINE | TRANS | TRIM | DESCRIPTION |
|------|-------------|-----|------|--------|------|--------|-------|------|--|
| | 04531678 | 4 | | | | ECC | DGL | | |
| | | 4 | | | | EDZ | DGL | | |
| 11 | | | | | | | | | PLATE, Transmission O/Drive Clutch |
| | 04659053 | 3 | | | | ECC | DGL | | |
| | | 3 | | | | EDZ | DGL | | |
| 12 | | | | | | | | | PLATE, Transmission O/Drive Clutch |
| | 04531556AB | 1 | | | | ECC | DGL | | |
| | | 1 | | | | EDZ | DGL | | |
| 13 | | | | | | | | | SNAP RING |
| | 04505622 | 1 | | | | ECC | DGL | | |
| | | 1 | | | | EDZ | DGL | | |
| 14 | | | | | | | | | DISC, Clutch |
| | 04531678 | 2 | | | | ECC | DGL | | |
| | | 2 | | | | EDZ | DGL | | |
| 15 | | | | | | | | | PLATE, Transmission O/Drive Clutch |
| | 04659053 | 1 | | | | ECC | DGL | | |
| | | 1 | | | | EDZ | DGL | | |
| 16 | | | | | | | | | PLATE, Transmission Clutch Reaction |
| | 04377194 | 1 | | | | ECC | DGL | | |
| | | 1 | | | | EDZ | DGL | | |
| 17 | | | | | | | | | SNAP RING |
| | 04377195 | 1 | | | | ECC | DGL | | |
| | | 1 | | | | EDZ | DGL | | |
| -18 | | | | | | | | | SNAP RING, Reverse Clutch, 1.77-1.83mm |
| | 04412871 | 1 | | | | ECC | DGL | | |
| | | 1 | | | | EDZ | DGL | | |
| -19 | | | | | | | | | SNAP RING, Reverse Clutch, 2.02-2.07mm |
| | 04412872 | 1 | | | | ECC | DGL | | |
| | | 1 | | | | EDZ | DGL | | |
| -20 | | | | | | | | | SNAP RING, Reverse Clutch, 2.27-2.32mm |

PT CRUISER (PT)

SERIES LINE
H = HIGHLINE Z = CHRYSLER (RHD)
C = CHRYSLER, LHD

BODY
44 = Four Door

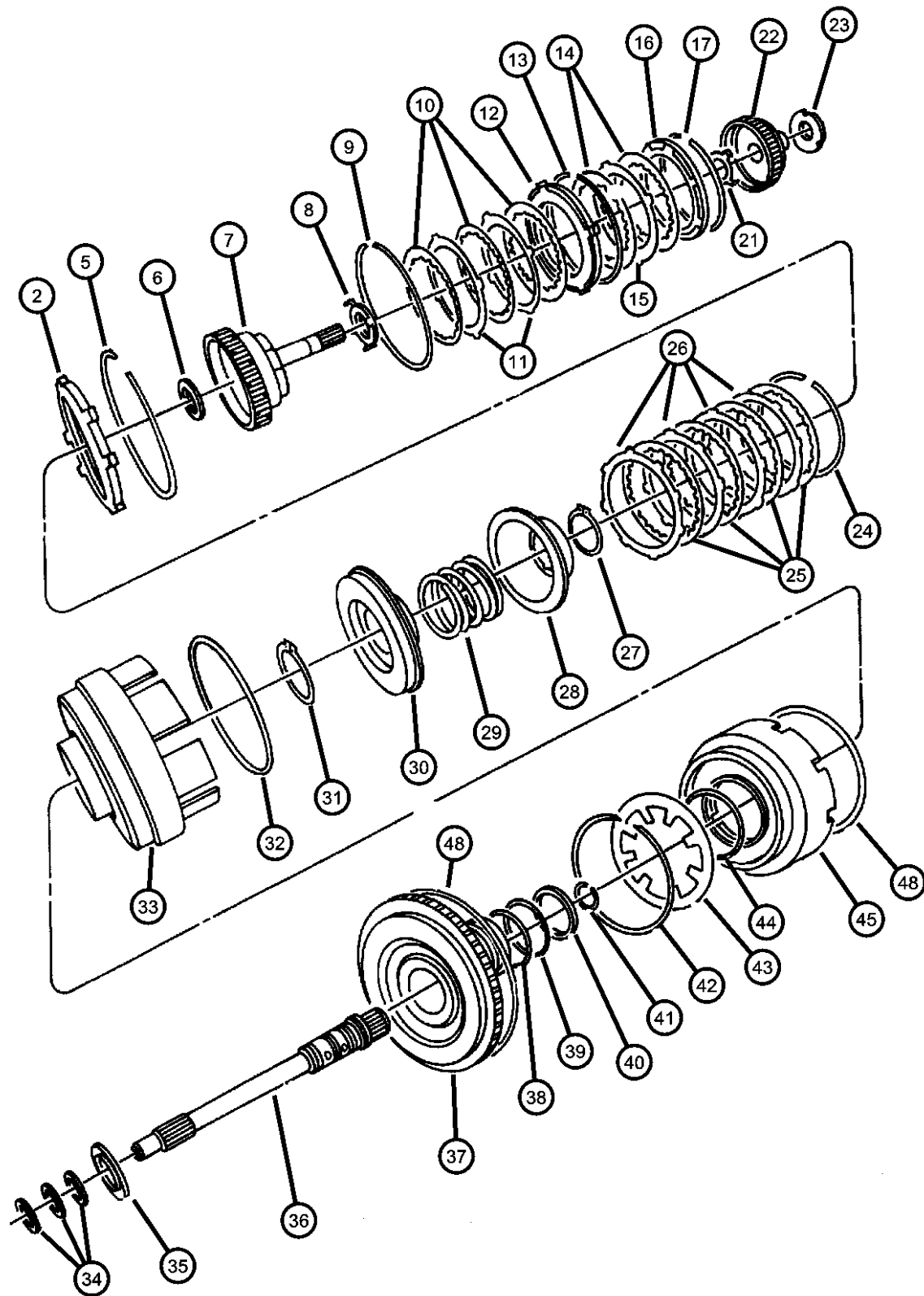
ENGINE
ECC = ENGINE - 2.0L 4 CYL DOHC 16V SMPI
EDZ = ENGINE - 2.4L 4 CYL DOHC 16V SMPI

TRANSMISSION
DGL = TRANSMISSION - 4-SPD. AUTOMATIC, 41TE
DD5 = TRANSMISSION - 5-SPEED MANUAL
DDO = All Manual Transmissions
DGO = All Automatics

AR = use ase required - = Non illustrated part

2001 PT

Clutch, Input Shaft
Figure 41TE-420



| ITEM | PART NUMBER | QTY | LINE | SERIES | BODY | ENGINE | TRANS | TRIM | DESCRIPTION |
|------|-------------|-----|------|--------|------|--------|-------|------|------------------------------------|
| | 04412873 | 1 | | | | ECC | DGL | | |
| | | 1 | | | | EDZ | DGL | | |
| 21 | 04431973AB | 1 | | | | ECC | DGL | | PLATE, Thrust |
| | | 1 | | | | EDZ | DGL | | |
| 22 | 04659993 | 1 | | | | ECC | DGL | | HUB AND SHAFT, Overdrive Clutch |
| | | 1 | | | | EDZ | DGL | | |
| 23 | 03836238 | AR | | | | ECC | DGL | | PLATE, Transmission O/Drive Clutch |
| | | AR | | | | EDZ | DGL | | 1.92-1.99mm Thk. |
| | 03836239 | AR | | | | ECC | DGL | | 2.14-2.21mm Thk. |
| | | AR | | | | EDZ | DGL | | 2.14-2.21mm Thk. |
| | 03836240 | AR | | | | ECC | DGL | | 2.36-2.43mm Thk. |
| | | AR | | | | EDZ | DGL | | 2.36-2.43mm Thk. |
| | 03836241 | 1 | | | | ECC | DGL | | 2.58-2.65mm Thk. |
| | | 1 | | | | EDZ | DGL | | 2.58-2.65mm Thk. |
| | 04431662 | 1 | | | | ECC | DGL | | 0.93-1.00mm Thk. |
| | | 1 | | | | EDZ | DGL | | 0.93-1.00mm Thk. |
| | 04431663 | 1 | | | | ECC | DGL | | 1.15-1.22mm Thk. |
| | | 1 | | | | EDZ | DGL | | 1.15-1.22mm Thk. |
| | 04431664 | 1 | | | | ECC | DGL | | 1.37-1.44mm Thk. |
| | | 1 | | | | EDZ | DGL | | 1.37-1.44mm Thk. |
| | 04431666 | 1 | | | | ECC | DGL | | 1.81-1.88mm Thk. |
| | | 1 | | | | EDZ | DGL | | 1.81-1.88mm Thk. |
| | 04431667 | 1 | | | | ECC | DGL | | 2.03-2.10mm Thk. |
| | | 1 | | | | EDZ | DGL | | 2.03-2.10mm Thk. |
| | 04431668 | 1 | | | | ECC | DGL | | 2.25-2.32mm Thk. |
| | | 1 | | | | EDZ | DGL | | 2.25-2.32mm Thk. |
| | 04431669 | 1 | | | | ECC | DGL | | 2.47-2.54mm Thk. |
| | | 1 | | | | EDZ | DGL | | 2.47-2.54mm Thk. |
| | 04446670 | 1 | | | | ECC | DGL | | 2.69-2.76mm Thk. |

PT CRUISER (PT)

SERIES LINE
H = HIGHLINE Z = CHRYSLER (RHD)
C = CHRYSLER, LHD

BODY
44 = Four Door

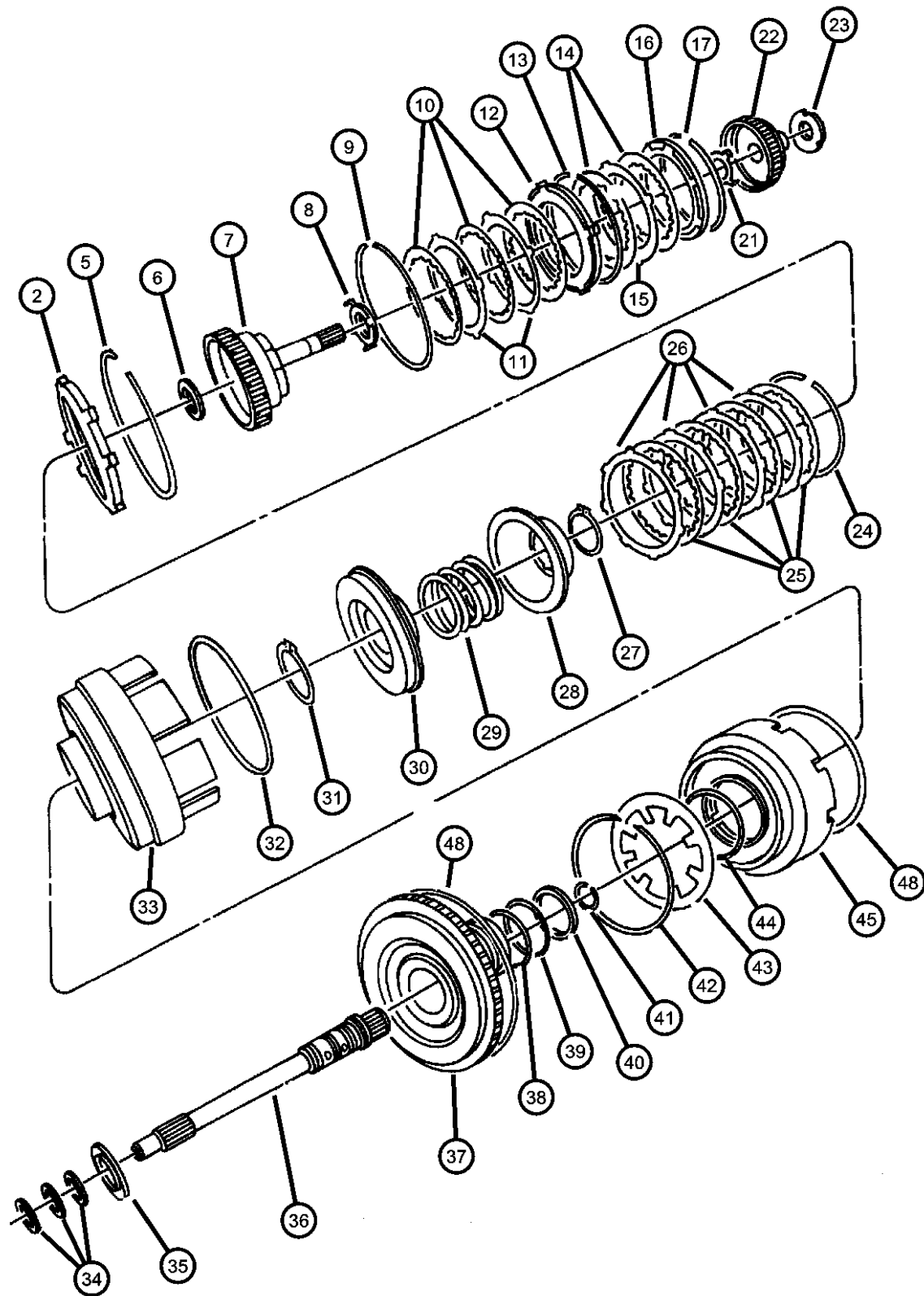
ENGINE
ECC = ENGINE - 2.0L 4 CYL DOHC 16V SMPI
EDZ = ENGINE - 2.4L 4 CYL DOHC 16V SMPI

TRANSMISSION
DGL = TRANSMISSION - 4-SPD. AUTOMATIC, 41TE
DD5 = TRANSMISSION - 5-SPEED MANUAL
DDO = All Manual Transmissions
DGO = All Automatics

AR = use ase required - = Non illustrated part

2001 PT

Clutch, Input Shaft
Figure 41TE-420



| ITEM | PART NUMBER | QTY | LINE | SERIES | BODY | ENGINE | TRANS | TRIM | DESCRIPTION |
|------|-------------|-----|------|--------|------|--------|-------|------|--|
| | | 1 | | | | EDZ | DGL | | 2.69-2.76mm Thk. |
| | 04446671 | 1 | | | | ECC | DGL | | 2.91-2.98mm Thk. |
| | | 1 | | | | EDZ | DGL | | 2.91-2.98mm Thk. |
| | 04446672 | 1 | | | | ECC | DGL | | 3.13-3.20mm Thk. |
| | | 1 | | | | EDZ | DGL | | 3.13-3.20mm Thk. |
| 24 | | | | | | | | | SNAP RING, Underdrive Clutch, Flat |
| | 04659980 | 1 | | | | ECC | DGL | | |
| | | 1 | | | | EDZ | DGL | | |
| 25 | | | | | | | | | DISC, Clutch |
| | 04531678 | 4 | | | | ECC | DGL | | |
| | | 4 | | | | EDZ | DGL | | |
| 26 | | | | | | | | | PLATE, Transmission O/Drive Clutch |
| | 04659053 | 1 | | | | ECC | DGL | | |
| | | 1 | | | | EDZ | DGL | | |
| 27 | | | | | | | | | SNAP RING |
| | 06501715 | 1 | | | | ECC | DGL | | |
| | | 1 | | | | EDZ | DGL | | |
| 28 | | | | | | | | | RETAINER AND SEAL, Transmission U/Drive Spring |
| | 04431612 | 1 | | | | ECC | DGL | | |
| | | 1 | | | | EDZ | DGL | | |
| 29 | | | | | | | | | SPRING, Drive Lower Case |
| | 04377177 | 1 | | | | ECC | DGL | | |
| | | 1 | | | | EDZ | DGL | | |
| 30 | | | | | | | | | PISTON, Underdrive |
| | 04431610 | 1 | | | | ECC | DGL | | |
| | | 1 | | | | EDZ | DGL | | |
| 31 | | | | | | | | | SNAP RING |
| | 06501812 | 1 | | | | ECC | DGL | | |
| | | 1 | | | | EDZ | DGL | | |
| 32 | | | | | | | | | SEAL, Piston Outer, 140mm OD |
| | 04659871 | 1 | | | | ECC | DGL | | |
| | | 1 | | | | EDZ | DGL | | |

PT CRUISER (PT)

SERIES LINE
H = HIGHLINE Z = CHRYSLER (RHD)
C = CHRYSLER, LHD

BODY
44 = Four Door

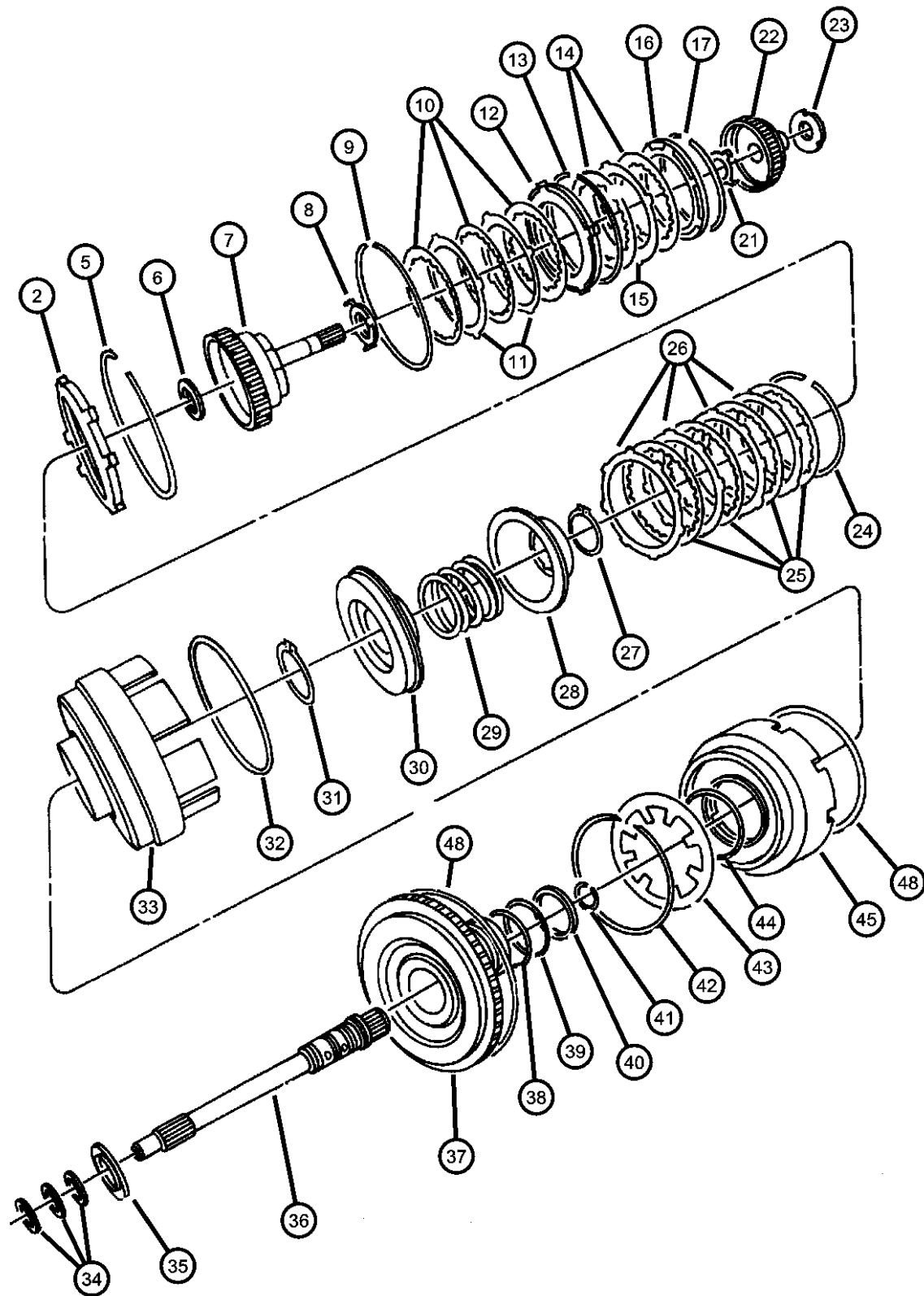
ENGINE
ECC = ENGINE - 2.0L 4 CYL DOHC 16V SMPI
EDZ = ENGINE - 2.4L 4 CYL DOHC 16V SMPI

TRANSMISSION
DGL = TRANSMISSION - 4-SPD. AUTOMATIC, 41TE
DD5 = TRANSMISSION - 5-SPEED MANUAL
DDO = All Manual Transmissions
DGO = All Automatics

AR = use ase required - = Non illustrated part

2001 PT

Clutch, Input Shaft
Figure 41TE-420



| ITEM | PART NUMBER | QTY | LINE | SERIES | BODY | ENGINE | TRANS | TRIM | DESCRIPTION |
|------|-------------|-----|------|--------|------|--------|-------|------|-------------------------------------|
| 33 | | | | | | | | | RETAINER, Transmission Input Clutch |
| | 04659935 | 1 | | | | ECC | DGL | | |
| | | 1 | | | | EDZ | DGL | | |
| 34 | | | | | | | | | SEAL, Input Shaft |
| | 04446543 | 3 | | | | ECC | DGL | | |
| | | 3 | | | | EDZ | DGL | | |
| 35 | | | | | | | | | THRUST BEARING |
| | 04412209 | 1 | | | | ECC | DGL | | |
| | | 1 | | | | EDZ | DGL | | |
| 36 | | | | | | | | | INPUT SHAFT PACKAGE, Transaxle |
| | 04549223 | 1 | | | | ECC | DGL | | |
| | | 1 | | | | EDZ | DGL | | |
| 37 | | | | | | | | | HUB PACKAGE, Input Clutch |
| | 05241064 | 1 | | | | ECC | DGL | | |
| | | 1 | | | | EDZ | DGL | | |
| 38 | | | | | | | | | O RING, Transmission Clutch |
| | 06502271 | 1 | | | | ECC | DGL | | |
| | | 1 | | | | EDZ | DGL | | |
| 39 | | | | | | | | | O RING, Transmission Clutch |
| | 06502269 | 1 | | | | ECC | DGL | | |
| | | 1 | | | | EDZ | DGL | | |
| 40 | | | | | | | | | SEAL, Under Drive |
| | 04659391AB | 1 | | | | ECC | DGL | | |
| | | 1 | | | | EDZ | DGL | | |
| 41 | | | | | | | | | SNAP RING |
| | 06501702 | 1 | | | | ECC | DGL | | |
| | | 1 | | | | EDZ | DGL | | |
| 42 | | | | | | | | | SNAP RING |
| | 04412203 | 1 | | | | ECC | DGL | | |
| | | 1 | | | | EDZ | DGL | | |
| 43 | | | | | | | | | SPRING, Overdrive Piston |
| | 04412202 | 1 | | | | ECC | DGL | | |

PT CRUISER (PT)

SERIES LINE
H = HIGHLINE Z = CHRYSLER (RHD)
C = CHRYSLER, LHD

BODY
44 = Four Door

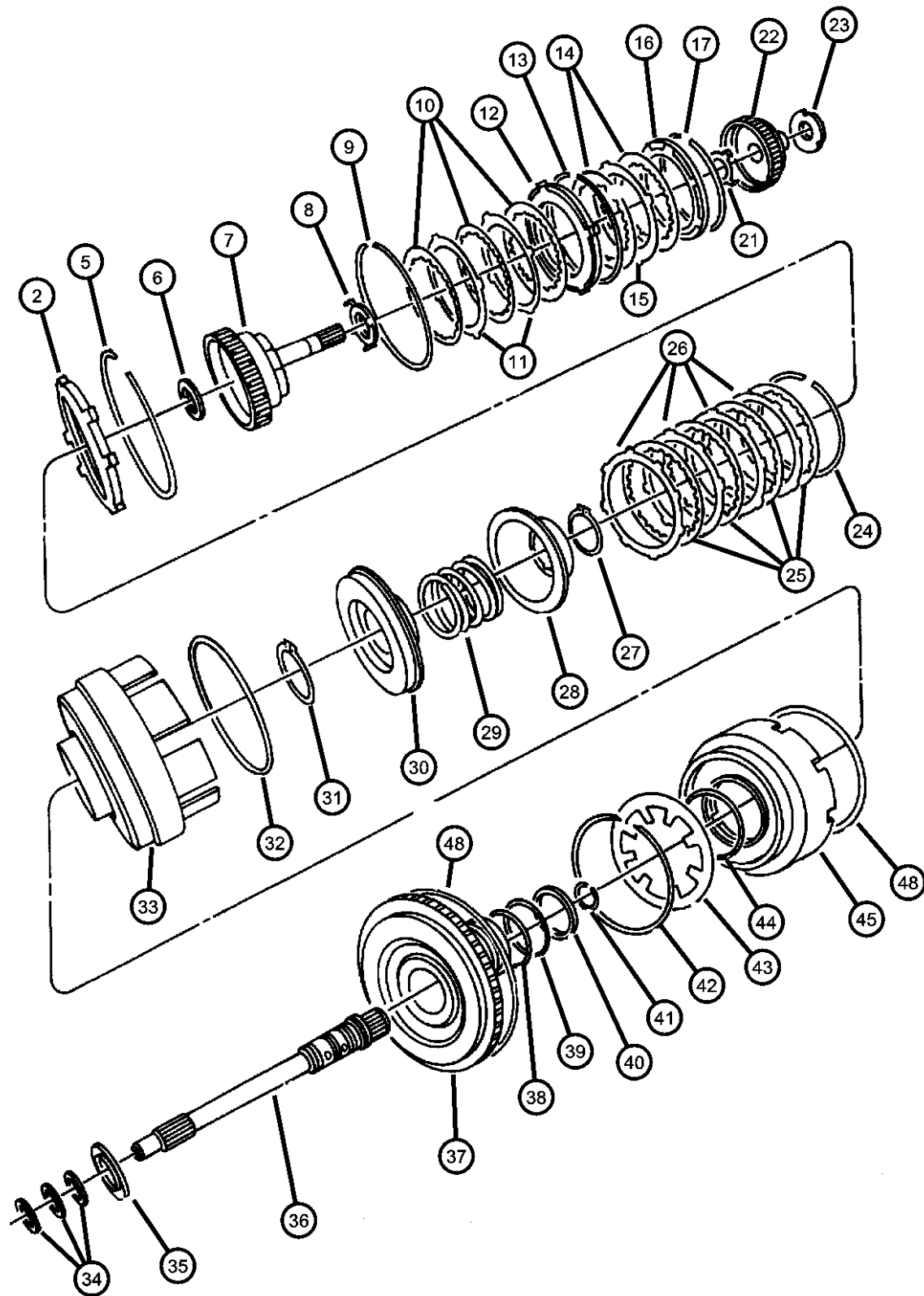
ENGINE
ECC = ENGINE - 2.0L 4 CYL DOHC 16V SMPI
EDZ = ENGINE - 2.4L 4 CYL DOHC 16V SMPI

TRANSMISSION
DGL = TRANSMISSION - 4-SPD. AUTOMATIC, 41TE
DD5 = TRANSMISSION - 5-SPEED MANUAL
DDO = All Manual Transmissions
DGO = All Automatics

AR = use ase required - = Non illustrated part

2001 PT

Clutch, Input Shaft
Figure 41TE-420



| ITEM | PART NUMBER | QTY | LINE | SERIES | BODY | ENGINE | TRANS | TRIM | DESCRIPTION |
|------|-------------|-----|------|--------|------|--------|-------|------|---|
| 44 | | 1 | | | | EDZ | DGL | | O RING, Reverse & O/Drive Clutch Piston, Transmission |
| | 06033158 | 1 | | | | ECC | DGL | | |
| 45 | | 1 | | | | EDZ | DGL | | PISTON, Reverse and Overdrive |
| | 04531910AB | 1 | | | | ECC | DGL | | |
| | | 1 | | | | EDZ | DGL | | |
| -46 | | 1 | | | | ECC | DGL | | PISTON PACKAGE, Reverse And Overdrive |
| | 05013476AA | 1 | | | | ECC | DGL | | |
| | | 1 | | | | EDZ | DGL | | |
| -47 | | 1 | | | | ECC | DGL | | FILTER, Reverse And O/D Clutch |
| | 04531903 | 1 | | | | ECC | DGL | | |
| | | 1 | | | | EDZ | DGL | | |
| 48 | | 1 | | | | ECC | DGL | | SEAL, Reverse Servo Piston |
| | 04659056 | 1 | | | | ECC | DGL | | |
| | | 1 | | | | EDZ | DGL | | |

PT CRUISER (PT)

SERIES LINE
H = HIGHLINE Z = CHRYSLER (RHD)
C = CHRYSLER, LHD

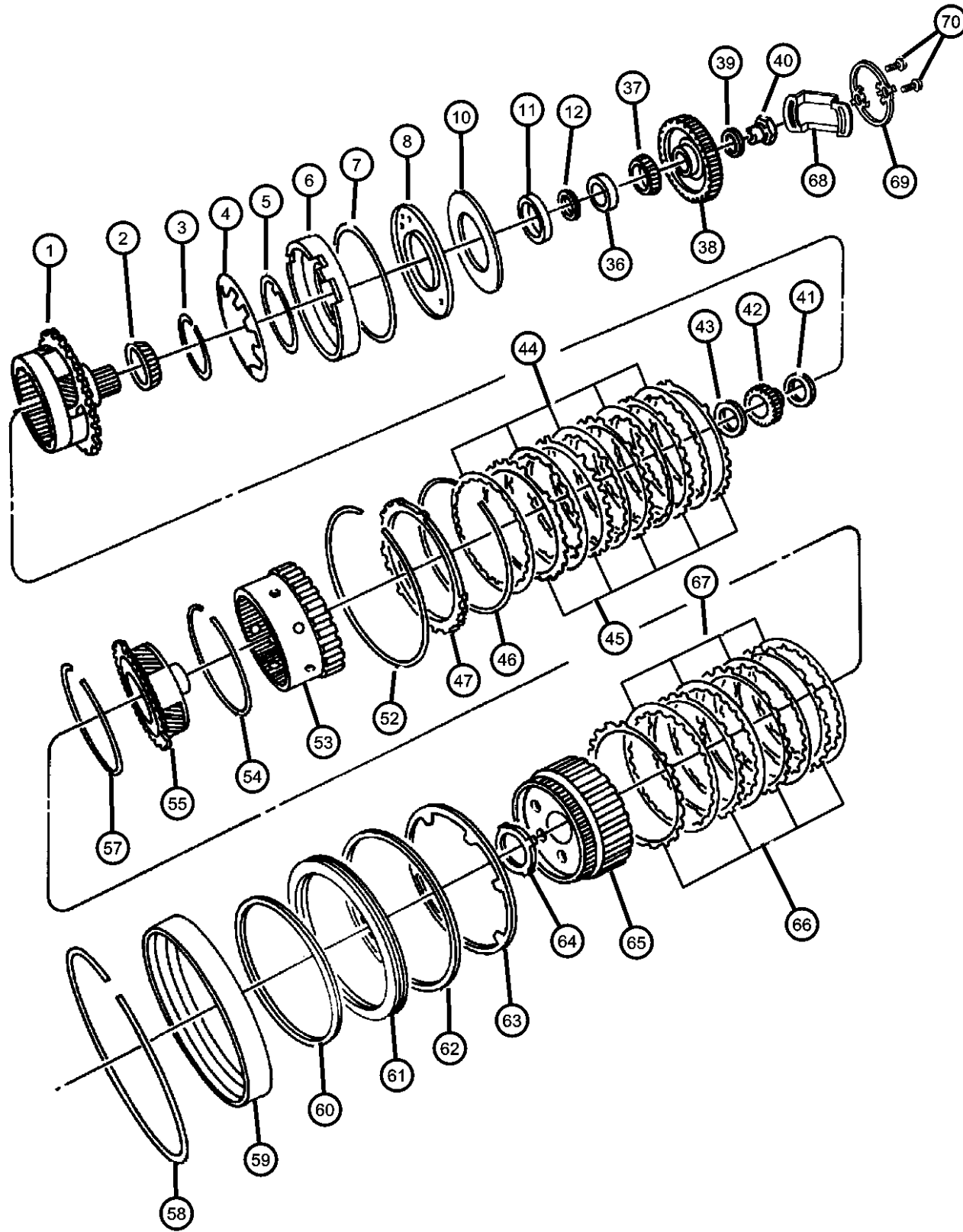
BODY
44 = Four Door

ENGINE TRANSMISSION
ECC = ENGINE - 2.0L 4 CYL DOHC 16V SMPI
EDZ = ENGINE - 2.4L 4 CYL DOHC 16V SMPI
DGL = TRANSMISSION - 4-SPD. AUTOMATIC, 41TE
DD5 = TRANSMISSION - 5-SPEED MANUAL
DDO = All Manual Transmissions
DGO = All Automatics

AR = use ase required - = Non illustrated part

2001 PT

Gear Train
Figure 41TE-430



| ITEM | PART NUMBER | QTY | LINE | SERIES | BODY | ENGINE | TRANS | TRIM | DESCRIPTION |
|------|-------------|-----|------|--------|------|--------|-------|------|-------------|
|------|-------------|-----|------|--------|------|--------|-------|------|-------------|

NOTE:
Sales Code:
DGL = 4 Spd Auto Trans 41TE - FWD
ECC = 2.0L 4 CYL DOHC
EDZ = 2.4L 4 CYL DOHC

| | | | | | | | | | |
|----|------------|---|--|--|--|-----|-----|--|--|
| 1 | | | | | | | | | CARRIER AND BEARING, Planet Pinion |
| | 05014200AA | 1 | | | | ECC | DGL | | |
| | | 1 | | | | EDZ | DGL | | |
| 2 | | | | | | | | | BEARING CONE, Differential |
| | 04659238 | 1 | | | | ECC | DGL | | |
| | | 1 | | | | EDZ | DGL | | |
| 3 | | | | | | | | | SNAP RING Low & Rev. Clutch |
| | 06501853 | 1 | | | | ECC | DGL | | |
| | | 1 | | | | EDZ | DGL | | Low & Rev. Clutch |
| 4 | | | | | | | | | SPRING, Low/Reverse Clutch Piston |
| | 04412261 | 1 | | | | ECC | DGL | | |
| | | 1 | | | | EDZ | DGL | | |
| 5 | | | | | | | | | SEAL PACKAGE, Transmission Clutch |
| | 04882917 | 1 | | | | ECC | DGL | | |
| | | 1 | | | | EDZ | DGL | | |
| 6 | | | | | | | | | PISTON, Low and Reverse Clutch |
| | 04431672 | 1 | | | | ECC | DGL | | |
| | | 1 | | | | EDZ | DGL | | |
| 7 | | | | | | | | | SEAL PACKAGE, Transmission Clutch |
| | 04882917 | 1 | | | | ECC | DGL | | |
| | | 1 | | | | EDZ | DGL | | |
| 8 | | | | | | | | | RETAINER, Transmission Low and Reverse Clutch Piston |
| | 04431648 | 1 | | | | ECC | DGL | | |
| | | 1 | | | | EDZ | DGL | | |
| -9 | | | | | | | | | SCREW AND WASHER, Pan Head, M5x0.8x11.00 |
| | 06501819 | 2 | | | | ECC | DGL | | |
| | | 2 | | | | EDZ | DGL | | |
| 10 | | | | | | | | | GASKET, Clutch Retainer |

PT CRUISER (PT)

SERIES LINE
H = HIGHLINE Z = CHRYSLER (RHD)
C = CHRYSLER, LHD

BODY
44 = Four Door

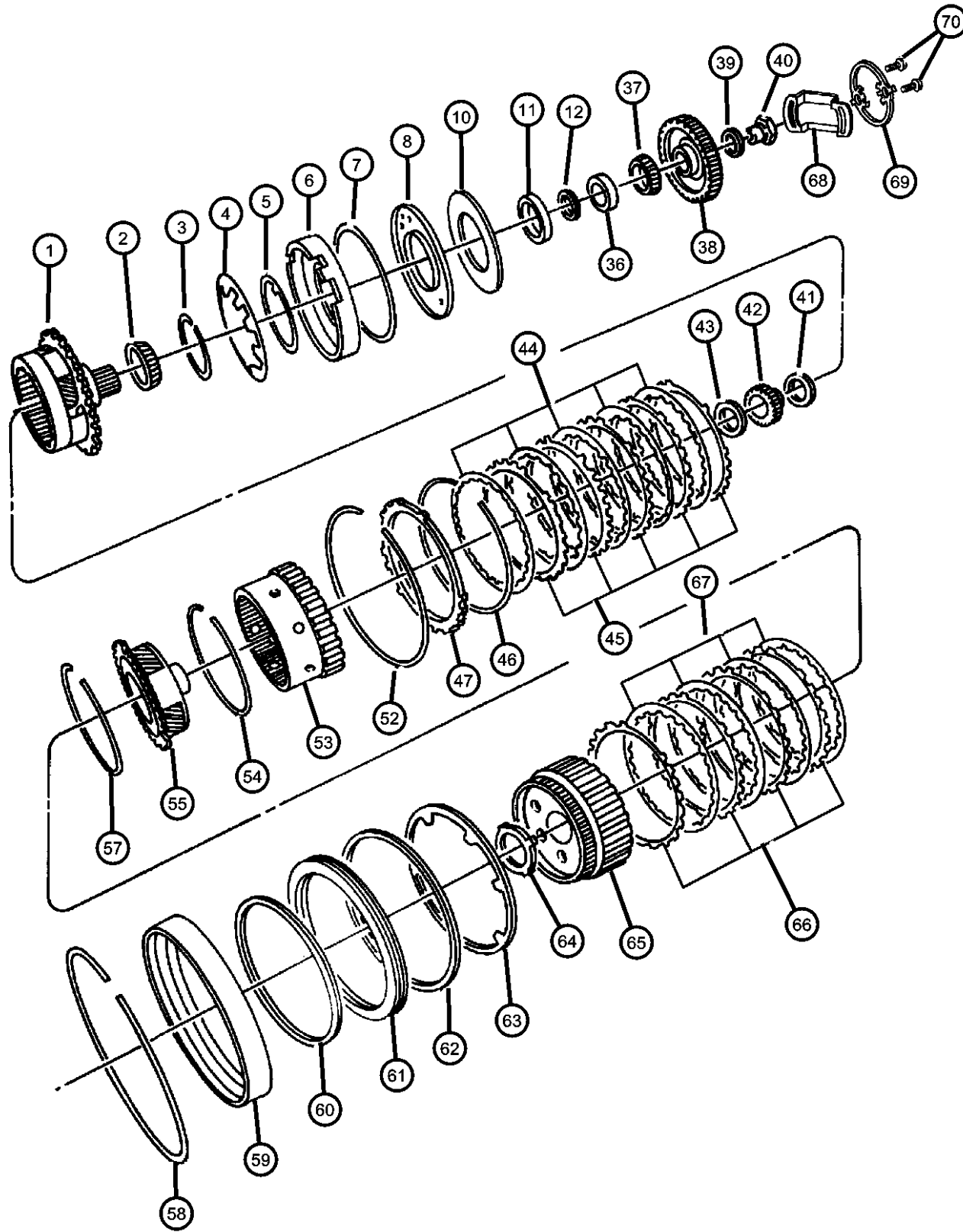
ENGINE
ECC = ENGINE - 2.0L 4 CYL DOHC 16V SMPI
EDZ = ENGINE - 2.4L 4 CYL DOHC 16V SMPI

TRANSMISSION
DGL = TRANSMISSION - 4-SPD. AUTOMATIC, 41TE
DD5 = TRANSMISSION - 5-SPEED MANUAL
DDO = All Manual Transmissions
DGO = All Automatics

AR = use ase required - = Non illustrated part

2001 PT

Gear Train
Figure 41TE-430



| ITEM | PART NUMBER | QTY | LINE | SERIES | BODY | ENGINE | TRANS | TRIM | DESCRIPTION |
|------|-------------|-----|------|--------|------|--------|-------|------|------------------------------|
| | 04431649 | 1 | | | | ECC | DGL | | |
| | | 1 | | | | EDZ | DGL | | |
| 11 | 04567022 | 1 | | | | ECC | DGL | | BEARING CUP, Differential |
| | | 1 | | | | EDZ | DGL | | |
| 12 | 04412806AB | 1 | | | | ECC | DGL | | SPACER, Output Shaft, 3.46mm |
| | | 1 | | | | EDZ | DGL | | |
| -13 | 04412807AB | 1 | | | | ECC | DGL | | SPACER, Output Shaft, 3.50mm |
| | | 1 | | | | EDZ | DGL | | |
| -14 | 04412808AB | 1 | | | | ECC | DGL | | SPACER, Output Shaft, 3.54mm |
| | | 1 | | | | EDZ | DGL | | |
| -15 | 04412809AB | 1 | | | | ECC | DGL | | SPACER, Output Shaft, 3.58mm |
| | | 1 | | | | EDZ | DGL | | |
| -16 | 04412811AB | 1 | | | | ECC | DGL | | SPACER, Output Shaft, 3.66mm |
| | | 1 | | | | EDZ | DGL | | |
| -17 | 04412812AB | 1 | | | | ECC | DGL | | SPACER, Output Shaft, 3.70mm |
| | | 1 | | | | EDZ | DGL | | |
| -18 | 04412813AB | 1 | | | | ECC | DGL | | SPACER, Output Shaft, 3.74mm |
| | | 1 | | | | EDZ | DGL | | |
| -19 | 04412814AB | 1 | | | | ECC | DGL | | SPACER, Output Shaft, 3.78mm |
| | | 1 | | | | EDZ | DGL | | |
| -20 | 04412815AB | 1 | | | | ECC | DGL | | SPACER, Output Shaft, 3.82mm |
| | | 1 | | | | EDZ | DGL | | |
| -21 | | | | | | | | | SPACER, Output Shaft, 3.86mm |

PT CRUISER (PT)

SERIES

H = HIGHLINE

LINE

Z = CHRYSLER (RHD)
C = CHRYSLER, LHD

BODY

44 = Four Door

ENGINE

ECC = ENGINE - 2.0L 4 CYL DOHC 16V SMPI
EDZ = ENGINE - 2.4L 4 CYL DOHC 16V SMPI

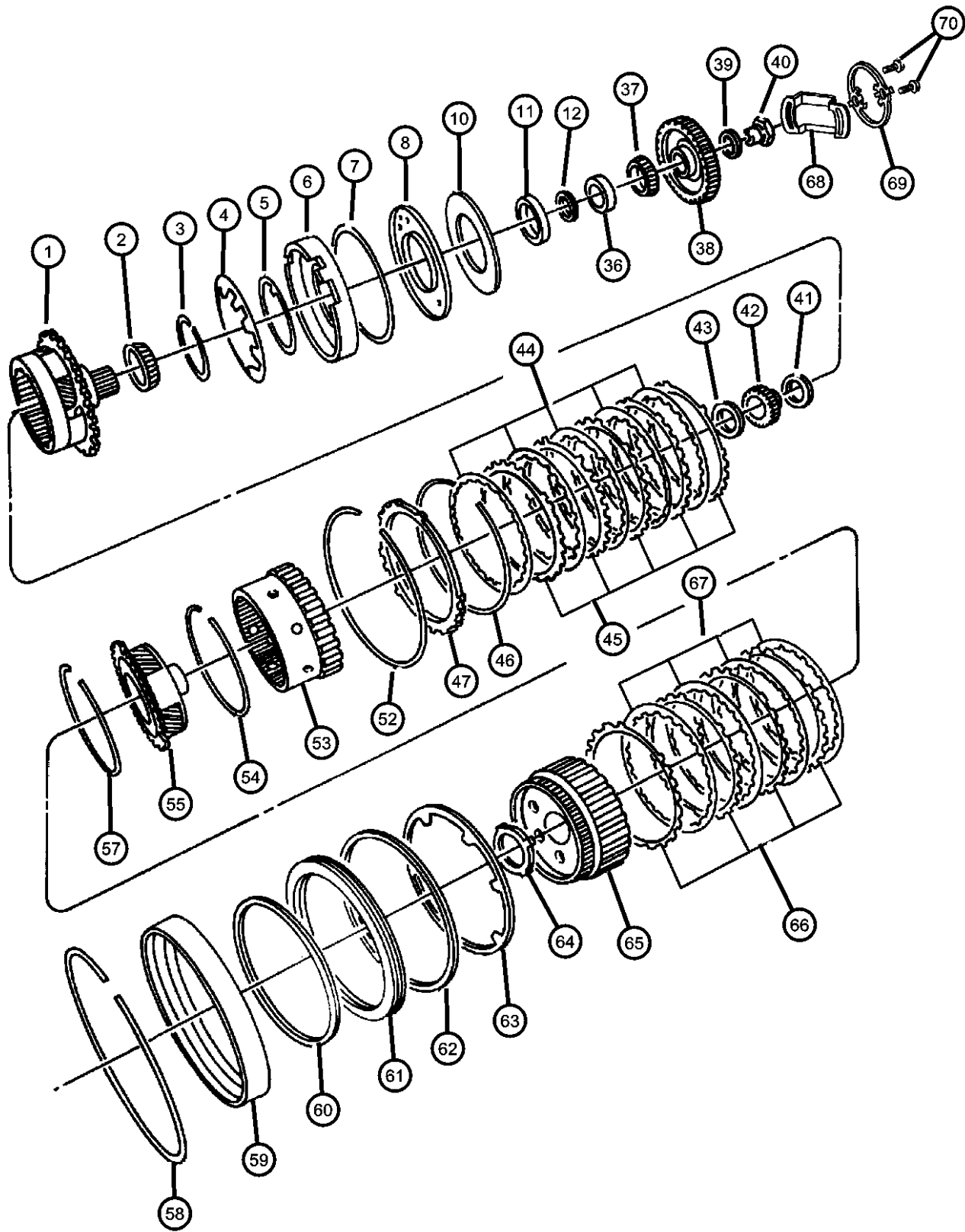
TRANSMISSION

DGL = TRANSMISSION - 4-SPD. AUTOMATIC, 41TE
DD5 = TRANSMISSION - 5-SPEED MANUAL
DDO = All Manual Transmissions
DGO = All Automatics

AR = use ase required - = Non illustrated part

2001 PT

Gear Train
Figure 41TE-430



| ITEM | PART NUMBER | QTY | LINE | SERIES | BODY | ENGINE | TRANS | TRIM | DESCRIPTION |
|------|-------------|-----|------|--------|------|--------|-------|------|------------------------------|
| | 04412816AB | 1 | | | | ECC | DGL | | |
| | | 1 | | | | EDZ | DGL | | |
| -22 | 04412817AB | 1 | | | | ECC | DGL | | SPACER, Output Shaft, 3.90mm |
| | | 1 | | | | EDZ | DGL | | |
| -23 | 04412818AB | 1 | | | | ECC | DGL | | SPACER, Output Shaft, 3.94mm |
| | | 1 | | | | EDZ | DGL | | |
| -24 | 04412819AB | 1 | | | | ECC | DGL | | SPACER, Output Shaft, 3.98mm |
| | | 1 | | | | EDZ | DGL | | |
| -25 | 04412820AB | 1 | | | | ECC | DGL | | SPACER, Output Shaft, 4.02mm |
| | | 1 | | | | EDZ | DGL | | |
| -26 | 04412821AB | 1 | | | | ECC | DGL | | SPACER, Output Shaft, 4.06mm |
| | | 1 | | | | EDZ | DGL | | |
| -27 | 04412822AB | 1 | | | | ECC | DGL | | SPACER, Output Shaft, 4.10mm |
| | | 1 | | | | EDZ | DGL | | |
| -28 | 04412823AB | 1 | | | | ECC | DGL | | SPACER, Output Shaft, 4.14mm |
| | | 1 | | | | EDZ | DGL | | |
| -29 | 04412824AB | 1 | | | | ECC | DGL | | SPACER, Output Shaft, 4.18mm |
| | | 1 | | | | EDZ | DGL | | |
| -30 | 04412825AB | 1 | | | | ECC | DGL | | SPACER, Output Shaft, 4.22mm |
| | | 1 | | | | EDZ | DGL | | |
| -31 | 04412826AB | 1 | | | | ECC | DGL | | SPACER, Output Shaft, 4.26mm |
| | | 1 | | | | EDZ | DGL | | |
| -32 | | | | | | | | | SPACER, Output Shaft, 4.30mm |

PT CRUISER (PT)

SERIES

H = HIGHLINE

LINE

Z = CHRYSLER (RHD)

C = CHRYSLER, LHD

BODY

44 = Four Door

ENGINE

ECC = ENGINE - 2.0L 4 CYL

DOHC 16V SMPI

EDZ = ENGINE - 2.4L 4 CYL

DOHC 16V SMPI

TRANSMISSION

DGL = TRANSMISSION - 4-SPD.

AUTOMATIC, 41TE

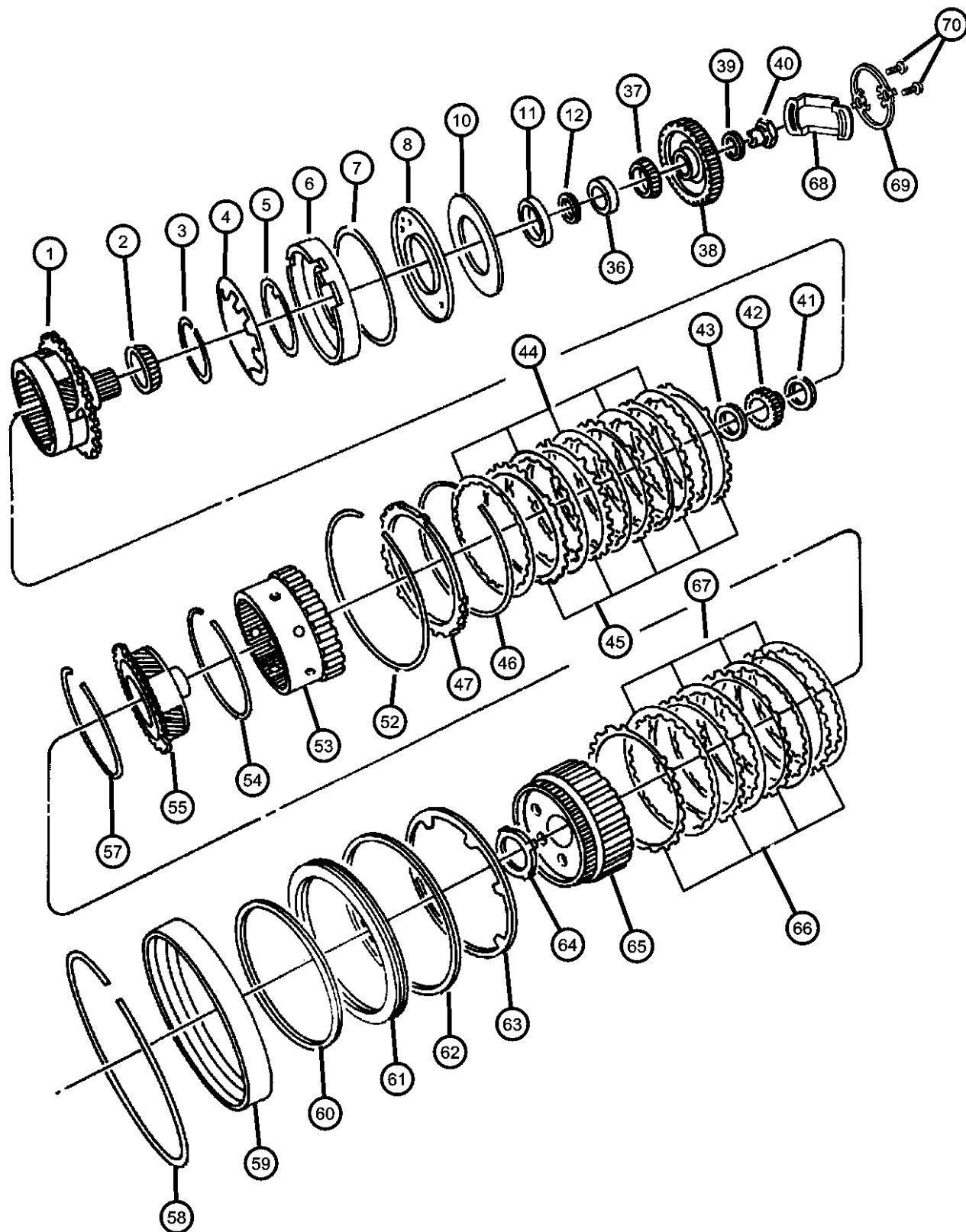
DD5 = TRANSMISSION - 5-SPEED

MANUAL

DDO = All Manual Transmissions

DGO = All Automatics

Gear Train
Figure 41TE-430



| ITEM | PART NUMBER | QTY | LINE | SERIES | BODY | ENGINE | TRANS | TRIM | DESCRIPTION |
|------|-------------|-----|------|--------|------|--------|-------|------|---|
| | 04412827AB | 1 | | | | ECC | DGL | | |
| | | 1 | | | | EDZ | DGL | | |
| -33 | | | | | | | | | SPACER, Output Shaft, 4.34mm |
| | 04412828AB | 1 | | | | ECC | DGL | | |
| | | 1 | | | | EDZ | DGL | | |
| -34 | | | | | | | | | SPACER, Output Shaft, 4.38mm |
| | 04412829AB | 1 | | | | ECC | DGL | | |
| | | 1 | | | | EDZ | DGL | | |
| -35 | | | | | | | | | SPACER, Output Shaft, 4.42mm |
| | 04412830AB | 1 | | | | ECC | DGL | | |
| | | 1 | | | | EDZ | DGL | | |
| 36 | | | | | | | | | BEARING CUP, Output Shaft |
| | 04412234 | 1 | | | | ECC | DGL | | |
| | | 1 | | | | EDZ | DGL | | |
| 37 | | | | | | | | | BEARING CONE, Output Shaft |
| | 04412235 | 1 | | | | ECC | DGL | | |
| | | 1 | | | | EDZ | DGL | | |
| 38 | | | | | | | | | GEAR PACKAGE, Output And Transfer Shaft |
| | 04713444 | 1 | | | | EDZ | DGL | | |
| | 04773275 | 1 | | | | ECC | DGL | | |
| 39 | | | | | | | | | WASHER, Output Shaft |
| | 06501832 | 1 | | | | ECC | DGL | | |
| | | 1 | | | | EDZ | DGL | | |
| 40 | | | | | | | | | BOLT, Hex Head, M18x1.5x34 |
| | 06503548 | 1 | | | | ECC | DGL | | |
| | | 1 | | | | EDZ | DGL | | |
| 41 | | | | | | | | | THRUST BEARING |
| | 04567262 | 1 | | | | ECC | DGL | | |
| | | 1 | | | | EDZ | DGL | | |
| 42 | | | | | | | | | GEAR, Sun |
| | 04377080 | 1 | | | | ECC | DGL | | |
| | | 1 | | | | EDZ | DGL | | |

PT CRUISER (PT)

SERIES LINE
H = HIGHLINE Z = CHRYSLER (RHD)
C = CHRYSLER, LHD

BODY
44 = Four Door

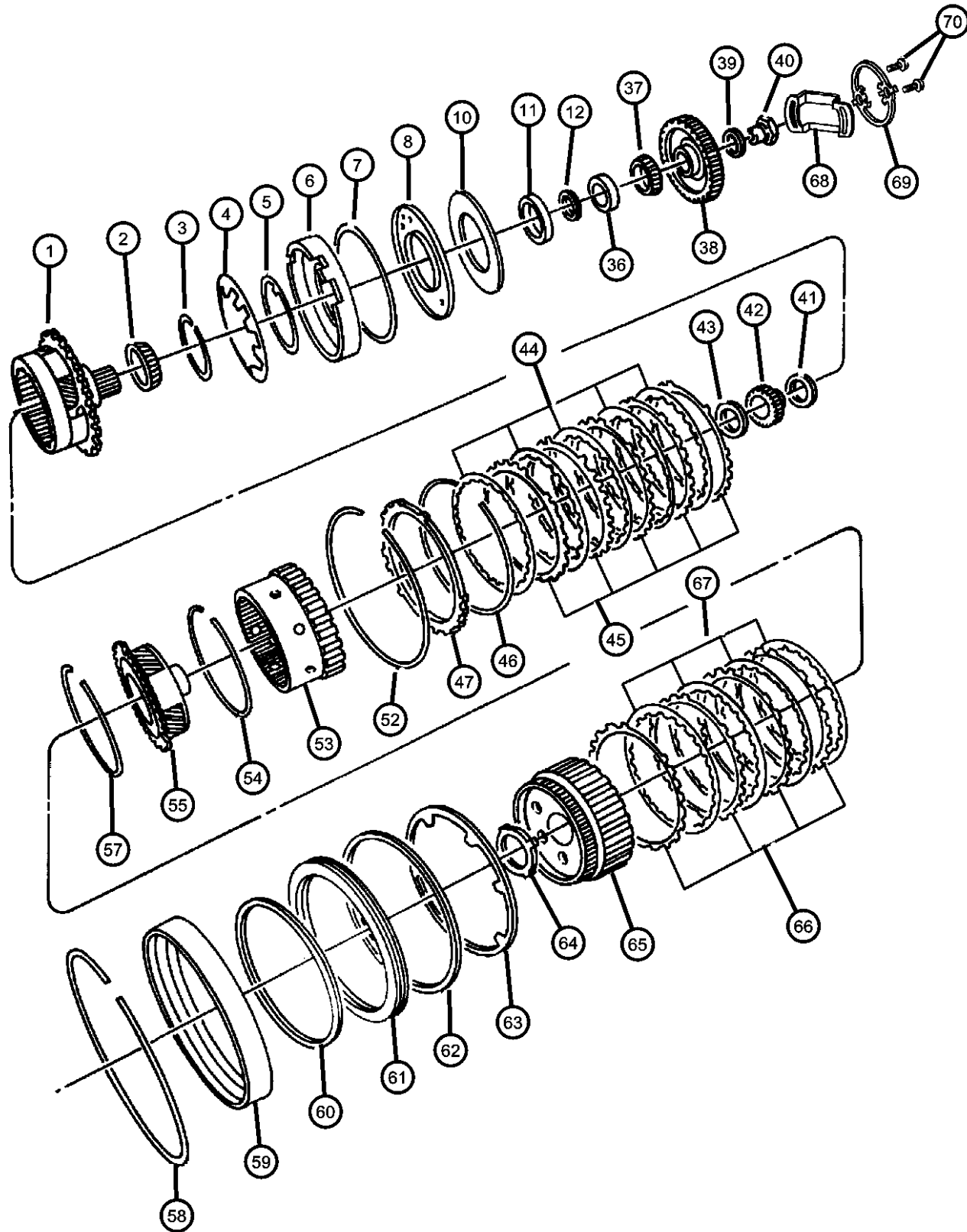
ENGINE
ECC = ENGINE - 2.0L 4 CYL DOHC 16V SMPI
EDZ = ENGINE - 2.4L 4 CYL DOHC 16V SMPI

TRANSMISSION
DGL = TRANSMISSION - 4-SPD. AUTOMATIC, 41TE
DD5 = TRANSMISSION - 5-SPEED MANUAL
DDO = All Manual Transmissions
DGO = All Automatics

AR = use ase required - = Non illustrated part

2001 PT

**Gear Train
Figure 41TE-430**



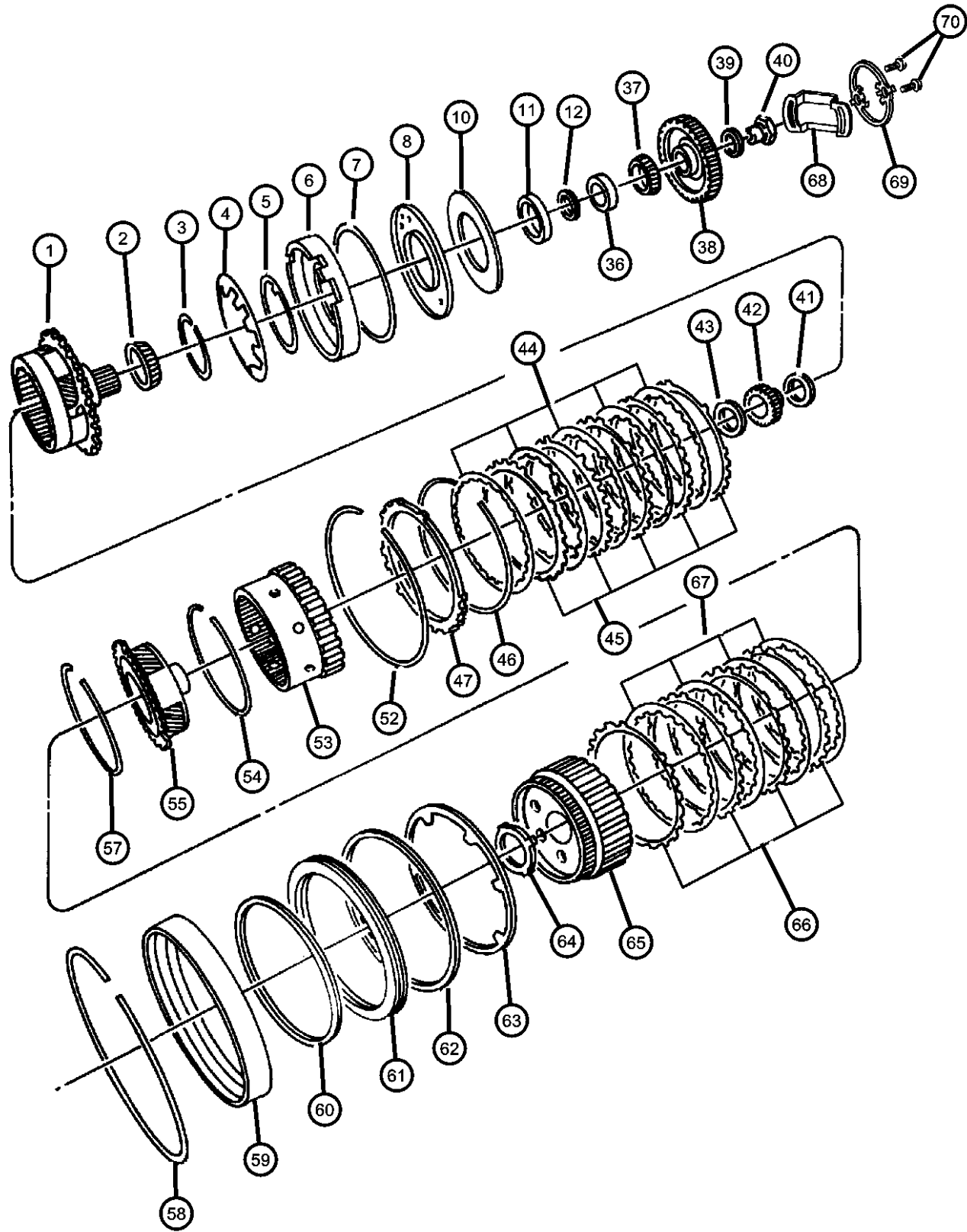
| ITEM | PART NUMBER | QTY | LINE | SERIES | BODY | ENGINE | TRANS | TRIM | DESCRIPTION |
|------|-------------|-----|------|--------|------|--------|-------|------|--|
| 43 | | | | | | ECC | DGL | | THRUST BEARING, Rear Sun Gear, Front |
| | 04412229AB | 1 | | | | EDZ | DGL | | |
| 44 | | | | | | ECC | DGL | | DISC, Clutch |
| | 04567573 | 5 | | | | EDZ | DGL | | |
| | | 5 | | | | | | | |
| 45 | | | | | | ECC | DGL | | PLATE, Transmission Clutch Reaction |
| | 04659055 | 5 | | | | EDZ | DGL | | |
| | | 5 | | | | | | | |
| 46 | | | | | | | | | SNAP RING |
| | 04412395 | 1 | | | | ECC | DGL | | |
| | | 1 | | | | EDZ | DGL | | |
| 47 | | | | | | ECC | DGL | | PLATE PACKAGE, Low/Reverse Clutch, 5.753/6.012 |
| | 04897452AA | 1 | | | | EDZ | DGL | | |
| | | 1 | | | | | | | |
| -48 | | | | | | ECC | DGL | | PLATE PACKAGE, Low/Reverse Clutch, 6.013/6.272 |
| | 04897453AA | 1 | | | | EDZ | DGL | | |
| | | 1 | | | | | | | |
| -49 | | | | | | ECC | DGL | | PLATE PACKAGE, Low/Reverse Clutch, 6.273/6.532 |
| | 04897454AA | 1 | | | | EDZ | DGL | | |
| | | 1 | | | | | | | |
| -50 | | | | | | ECC | DGL | | PLATE PACKAGE, Low/Reverse Clutch, 6.533/6.792 |
| | 04897455AA | 1 | | | | EDZ | DGL | | |
| | | 1 | | | | | | | |
| -51 | | | | | | ECC | DGL | | PLATE PACKAGE, Low/Reverse Clutch, 6.793/7.052 |
| | 04897456AA | 1 | | | | EDZ | DGL | | |
| | | 1 | | | | | | | |
| 52 | | | | | | | | | SNAP RING |
| | 04799858AA | 1 | | | | ECC | DGL | | |
| | | 1 | | | | EDZ | DGL | | |

PT CRUISER (PT)

| | | | | |
|--------------|---|----------------|--|--|
| SERIES | LINE | BODY | ENGINE | TRANSMISSION |
| H = HIGHLINE | Z = CHRYSLER (RHD) C = CHRYSLER, LHD | 44 = Four Door | ECC = ENGINE - 2.0L 4 CYL DOHC 16V SMPI EDZ = ENGINE - 2.4L 4 CYL DOHC 16V SMPI | DGL = TRANSMISSION - 4-SPD. AUTOMATIC, 41TE DD5 = TRANSMISSION - 5-SPEED MANUAL DDO = All Manual Transmissions DGO = All Automatics |

AR = use ase required - = Non illustrated part

**Gear Train
Figure 41TE-430**



| ITEM | PART NUMBER | QTY | LINE | SERIES | BODY | ENGINE | TRANS | TRIM | DESCRIPTION |
|------|-------------|-----|------|--------|------|--------|-------|------|---|
| 53 | 04799794 | 1 | | | | ECC | DGL | | GEAR, Annulus |
| | | 1 | | | | EDZ | DGL | | |
| 54 | 06035238 | 2 | | | | ECC | DGL | | SNAP RING |
| | | 2 | | | | EDZ | DGL | | |
| 55 | 04567539AB | 1 | | | | ECC | DGL | | CARRIER, Planetary Pinion |
| | | 1 | | | | EDZ | DGL | | |
| -56 | 04567262 | 1 | | | | ECC | DGL | | THRUST BEARING |
| | | 1 | | | | EDZ | DGL | | |
| 57 | 06035238 | 2 | | | | ECC | DGL | | SNAP RING |
| | | 2 | | | | EDZ | DGL | | |
| 58 | 04505591 | 1 | | | | ECC | DGL | | SNAP RING |
| | | 1 | | | | EDZ | DGL | | |
| 59 | 04883078 | 1 | | | | ECC | DGL | | RETAINER PACKAGE, 2nd & 4th Clutch Piston |
| | | 1 | | | | EDZ | DGL | | |
| 60 | 04856002 | 1 | | | | ECC | DGL | | SEAL PACKAGE, Transmission Clutch |
| | | 1 | | | | EDZ | DGL | | |
| 61 | 04883078 | 1 | | | | ECC | DGL | | RETAINER PACKAGE, 2nd & 4th Clutch Piston |
| | | 1 | | | | EDZ | DGL | | |
| 62 | 04856002 | 1 | | | | ECC | DGL | | SEAL PACKAGE, Transmission Clutch |
| | | 1 | | | | EDZ | DGL | | |
| 63 | | | | | | | | | SPRING, 2nd And 4th Clutch Piston |

PT CRUISER (PT)

SERIES LINE
 H = HIGHLINE Z = CHRYSLER (RHD)
 C = CHRYSLER, LHD

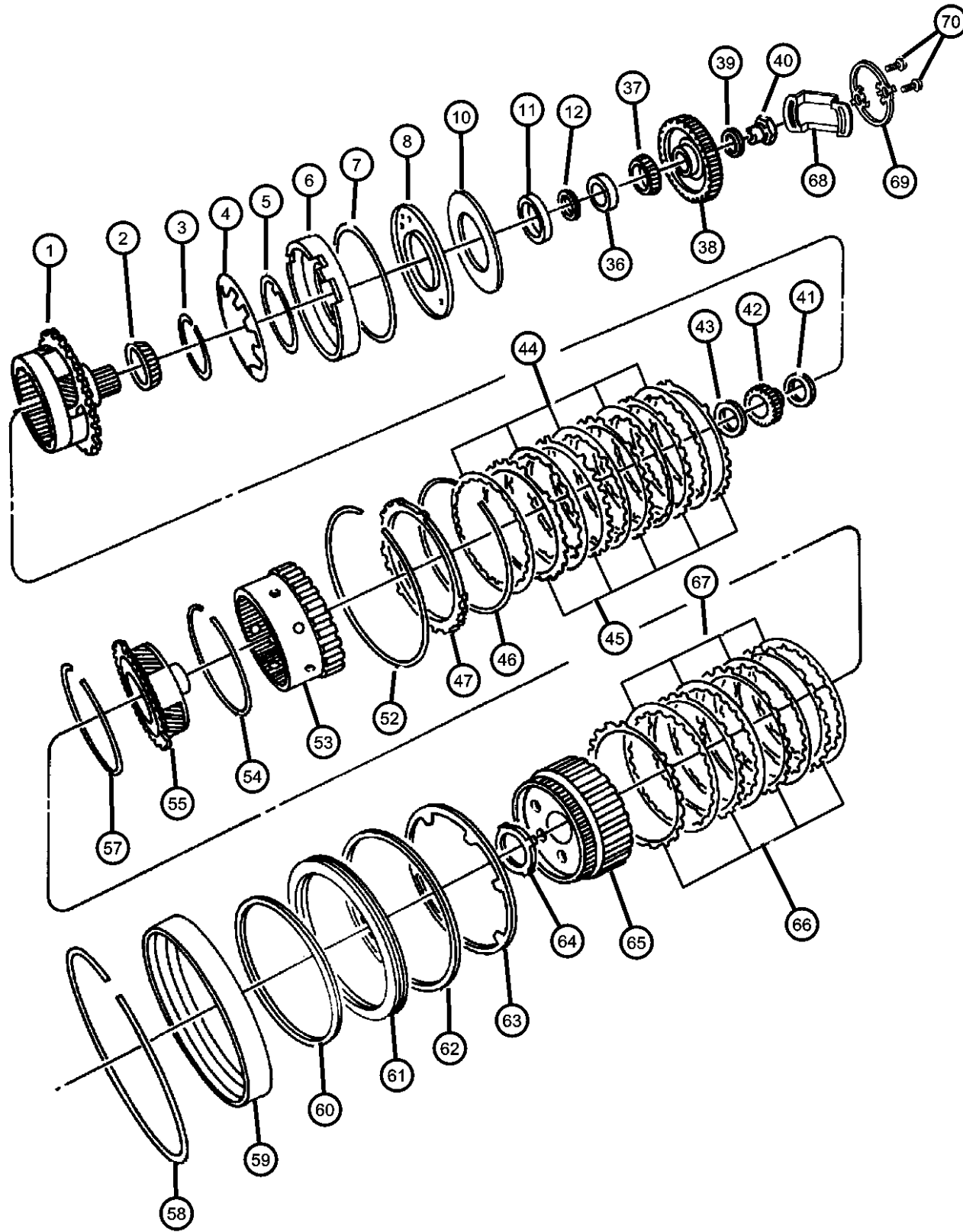
BODY
 44 = Four Door

ENGINE
 ECC = ENGINE - 2.0L 4 CYL
 DOHC 16V SMPI
 EDZ = ENGINE - 2.4L 4 CYL
 DOHC 16V SMPI

TRANSMISSION
 DGL = TRANSMISSION - 4-SPD.
 AUTOMATIC, 41TE
 DD5 = TRANSMISSION - 5-SPEED
 MANUAL
 DDO = All Manual Transmissions
 DGO = All Automatics

AR = use ase required - = Non illustrated part

Gear Train
Figure 41TE-430



| ITEM | PART NUMBER | QTY | LINE | SERIES | BODY | ENGINE | TRANS | TRIM | DESCRIPTION |
|------|-------------|-----|------|--------|------|--------|-------|------|---|
| | 04412248 | 1 | | | | ECC | DGL | | |
| | | 1 | | | | EDZ | DGL | | |
| 64 | | | | | | | | | THRUST WASHER, Second and Fourth Clutch |
| | 04412216AB | 1 | | | | ECC | DGL | | |
| | | 1 | | | | EDZ | DGL | | |
| 65 | | | | | | | | | HUB AND GEAR, Second And Fourth Clutch |
| | 04659618AB | 1 | | | | ECC | DGL | | |
| | | 1 | | | | EDZ | DGL | | |
| 66 | | | | | | | | | PLATE, Transmission Clutch Reaction |
| | 04659054 | 4 | | | | ECC | DGL | | |
| | | 4 | | | | EDZ | DGL | | |
| 67 | | | | | | | | | DISC, Clutch |
| | 04799860AA | 4 | | | | ECC | DGL | | |
| | | 4 | | | | EDZ | DGL | | |
| 68 | | | | | | | | | STIRRUP, Retaining Nut |
| | 04567263 | 1 | | | | ECC | DGL | | |
| | | 1 | | | | EDZ | DGL | | |
| 69 | | | | | | | | | STRAP, Retaining |
| | 04659134 | 1 | | | | ECC | DGL | | |
| | | 1 | | | | EDZ | DGL | | |
| 70 | | | | | | | | | BOLT, Hex Head, M8x1.25x10.00 |
| | 06503355 | 2 | | | | ECC | DGL | | |
| | | 2 | | | | EDZ | DGL | | |

PT CRUISER (PT)

SERIES LINE
H = HIGHLINE Z = CHRYSLER (RHD)
C = CHRYSLER, LHD

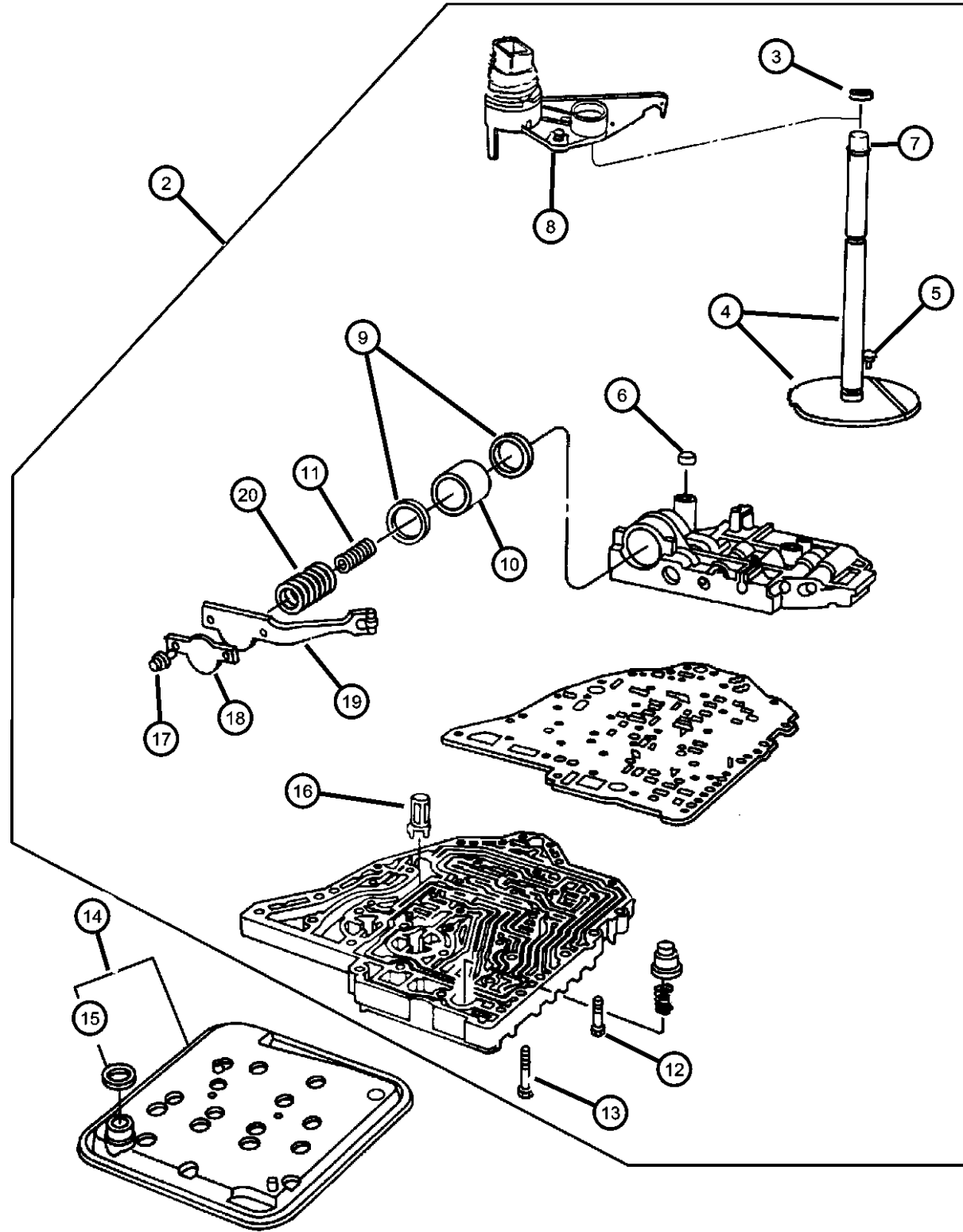
BODY
44 = Four Door

ENGINE
ECC = ENGINE - 2.0L 4 CYL
DOHC 16V SMPI
EDZ = ENGINE - 2.4L 4 CYL
DOHC 16V SMPI

TRANSMISSION
DGL = TRANSMISSION - 4-SPD.
AUTOMATIC, 41TE
DD5 = TRANSMISSION - 5-SPEED
MANUAL
DDO = All Manual Transmissions
DGO = All Automatics

AR = use ase required - = Non illustrated part

Valve Body
Figure 41TE-710



| ITEM | PART NUMBER | QTY | LINE | SERIES | BODY | ENGINE | TRANS | TRIM | DESCRIPTION |
|------|-------------|-----|------|--------|------|--------|-------|------|----------------------------|
| -1 | | | | | | | | | GASKET PACKAGE, Valve Body |
| | 04864696 | 1 | | | | ECC | DGL | | |
| | | 1 | | | | EDZ | DGL | | |
| 2 | | | | | | | | | VALVE BODY, Complete |
| | 05015808AB | 1 | | | | ECC | DGL | | |
| | | 1 | | | | EDZ | DGL | | |
| 3 | | | | | | | | | SEAL, Manual Valve Lever |
| | 04412836 | 1 | | | | ECC | DGL | | |
| | | 1 | | | | EDZ | DGL | | |
| 4 | | | | | | | | | LEVER, Manual Valve |
| | 04883316 | 1 | | | | ECC | DGL | | |
| | | 1 | | | | EDZ | DGL | | |
| 5 | | | | | | | | | SCREW |
| | 06506245AA | 1 | | | | ECC | DGL | | |
| | | 1 | | | | EDZ | DGL | | |
| 6 | | | | | | | | | SEAL, Clutch Feed |
| | 04412291 | 1 | | | | ECC | DGL | | |
| | | 1 | | | | EDZ | DGL | | |
| 7 | | | | | | | | | VENT, Transmission |
| | 04505557 | 1 | | | | ECC | DGL | | |
| | | 1 | | | | EDZ | DGL | | |
| 8 | | | | | | | | | SENSOR, Transmission Range |
| | 04659676AB | 1 | | | | ECC | DGL | | |
| | | 1 | | | | EDZ | DGL | | |
| 9 | | | | | | | | | SEAL, Accumulator |
| | 04446544 | 2 | | | | ECC | DGL | | |
| | | 2 | | | | EDZ | DGL | | |
| 10 | | | | | | | | | PISTON, Accumulator |
| | 04446620 | 1 | | | | ECC | DGL | | |
| | | 1 | | | | EDZ | DGL | | |

PT CRUISER (PT)

SERIES LINE
H = HIGHLINE Z = CHRYSLER (RHD)
C = CHRYSLER, LHD

BODY
44 = Four Door

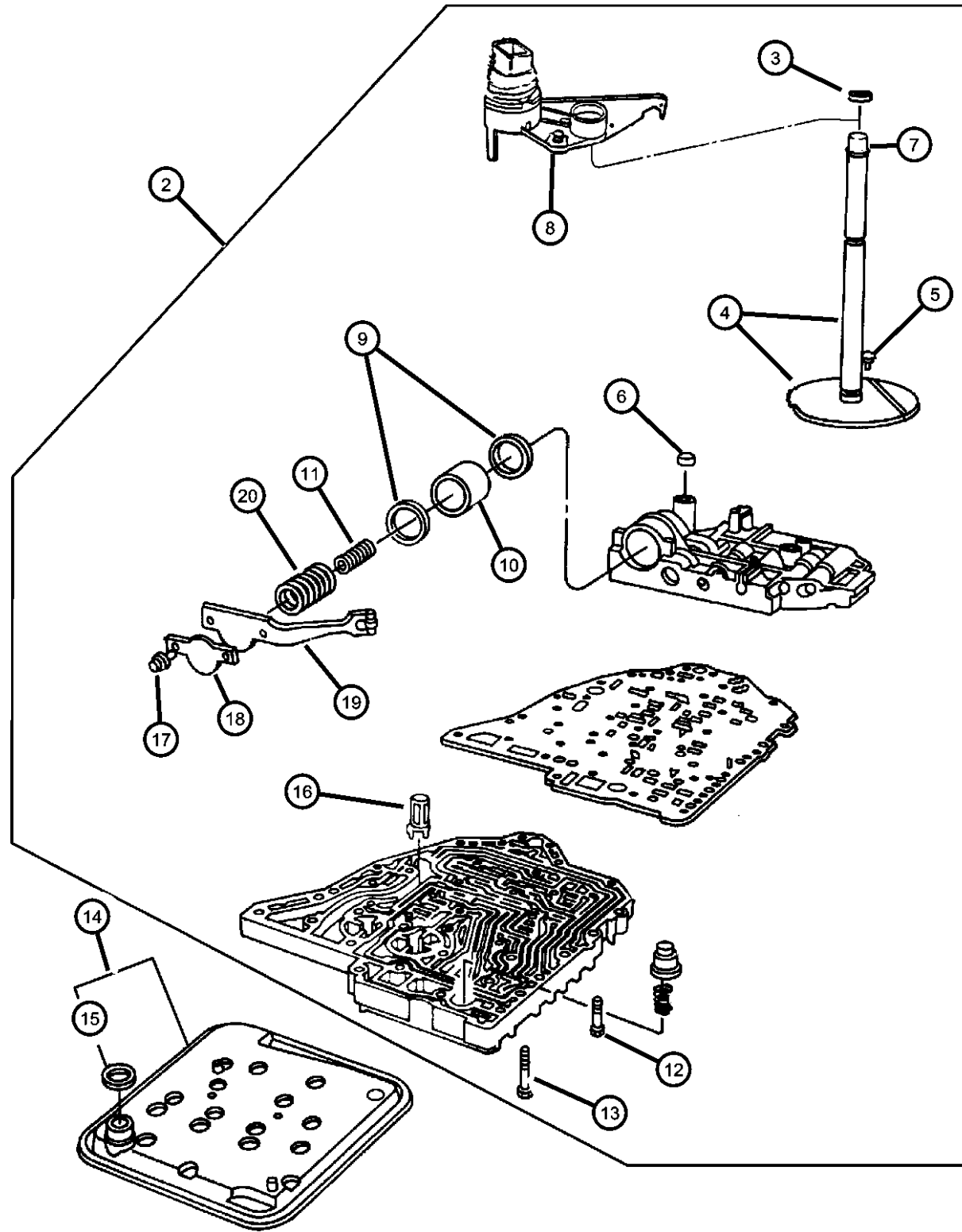
ENGINE
ECC = ENGINE - 2.0L 4 CYL DOHC 16V SMPI
EDZ = ENGINE - 2.4L 4 CYL DOHC 16V SMPI

TRANSMISSION
DGL = TRANSMISSION - 4-SPD. AUTOMATIC, 41TE
DD5 = TRANSMISSION - 5-SPEED MANUAL
DDO = All Manual Transmissions
DGO = All Automatics

AR = use ase required - = Non illustrated part

2001 PT

Valve Body
Figure 41TE-710



| ITEM | PART NUMBER | QTY | LINE | SERIES | BODY | ENGINE | TRANS | TRIM | DESCRIPTION |
|------|-------------|-----|------|--------|------|--------|-------|------|---|
| 11 | | 1 | | | | ECC | DGL | | SPRING, Accumulator |
| | 04567575 | 1 | | | | EDZ | DGL | | |
| 12 | | 24 | | | | ECC | DGL | | SCREW AND WASHER, Pan Head, M5x.8x25 |
| | 06500215 | 24 | | | | EDZ | DGL | | |
| 13 | | 18 | | | | ECC | DGL | | BOLT, Hex Head, M8x30 |
| | 06100155 | 18 | | | | EDZ | DGL | | |
| 14 | | 1 | | | | ECC | DGL | | FILTER PACKAGE, Transmission Oil |
| | 04864505 | 1 | | | | EDZ | DGL | | |
| 15 | | 1 | | | | ECC | DGL | | O RING, Trans Oil Filter |
| | 06032780 | 1 | | | | EDZ | DGL | | |
| 16 | | 1 | | | | ECC | DGL | | SCREEN, Transmission Regulator Valve |
| | 03878313 | 1 | | | | EDZ | DGL | | |
| 17 | | 3 | | | | ECC | DGL | | SCREW, Pan Head, M5 x 0.8 x 12.60 |
| | 06503232 | 3 | | | | EDZ | DGL | | |
| 18 | | 1 | | | | ECC | DGL | | RETAINER, Transmission 2nd and 4th Accumulator Piston |
| | 04431711 | 1 | | | | EDZ | DGL | | |
| 19 | | 1 | | | | ECC | DGL | | DETENT, Valve Body |
| | 04431710 | 1 | | | | EDZ | DGL | | |
| 20 | | 1 | | | | ECC | DGL | | SPRING, Accumulator |
| | 04659124 | 1 | | | | EDZ | DGL | | |

PT CRUISER (PT)

SERIES LINE
H = HIGHLINE Z = CHRYSLER (RHD)
C = CHRYSLER, LHD

BODY
44 = Four Door

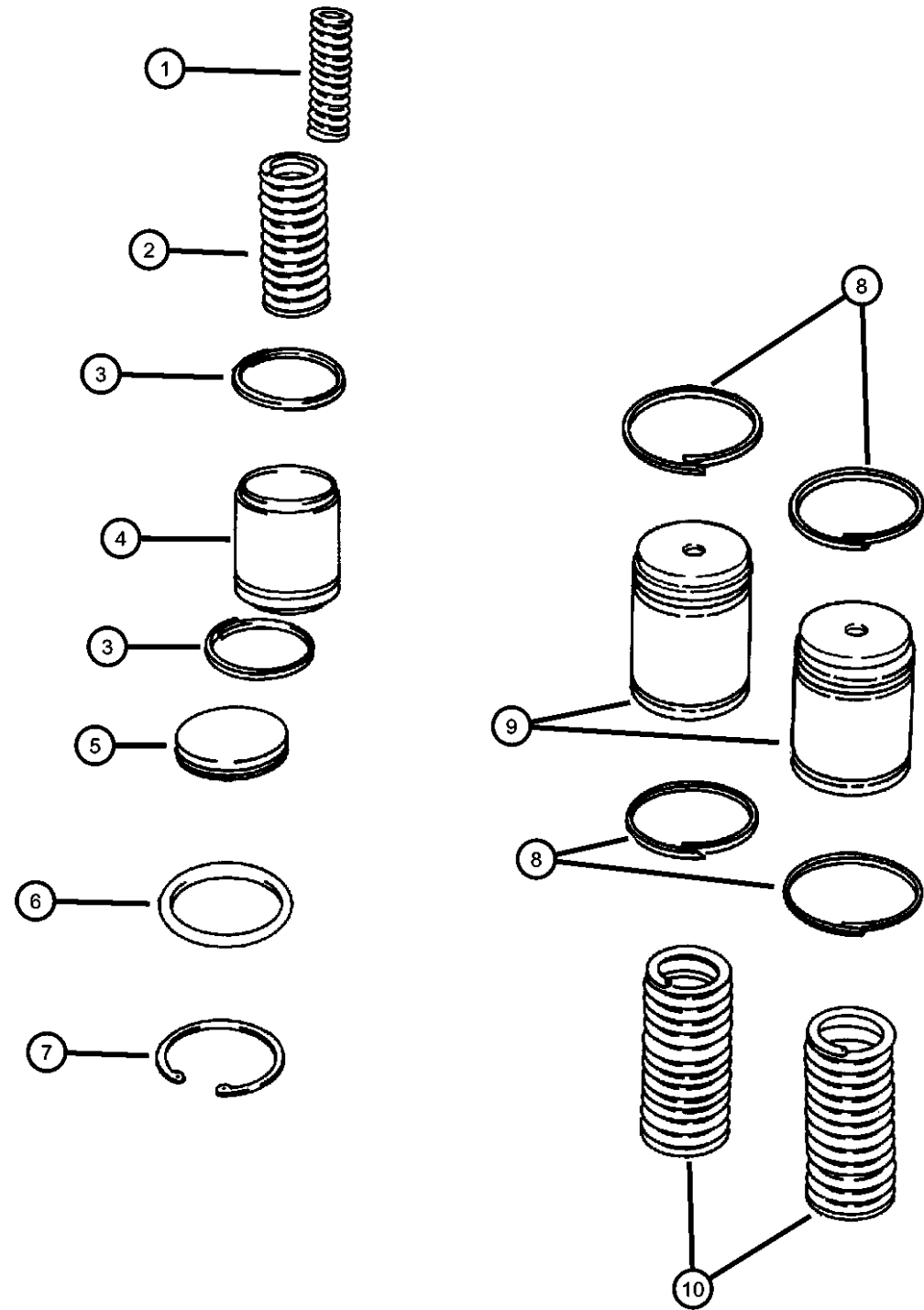
ENGINE
ECC = ENGINE - 2.0L 4 CYL DOHC 16V SMPI
EDZ = ENGINE - 2.4L 4 CYL DOHC 16V SMPI

TRANSMISSION
DGL = TRANSMISSION - 4-SPD. AUTOMATIC, 41TE
DD5 = TRANSMISSION - 5-SPEED MANUAL
DDO = All Manual Transmissions
DGO = All Automatics

AR = use ase required - = Non illustrated part

2001 PT

Accumulator Piston and Springs Figure 41TE-720



NOTE:

Sales Codes:
 DGL = 4 Spd Auto Trans 41TE - FWD
 ECC = 2.0L 4 Cyl DOHC
 EDZ = 2.4L 4 Cyl DOHC

| ITEM | PART NUMBER | QTY | LINE | SERIES | BODY | ENGINE | TRANS | TRIM | DESCRIPTION |
|------|-------------|-----|------|--------|------|--------|-------|------|-----------------------------------|
| 1 | 04567575 | 1 | | | | ECC | DGL | | SPRING, Accumulator |
| 2 | 04659124 | 1 | | | | EDZ | DGL | | SPRING, Accumulator |
| 3 | 04446544 | 2 | | | | ECC | DGL | | SEAL, Accumulator |
| 4 | 04446620 | 1 | | | | EDZ | DGL | | PISTON, Accumulator |
| 5 | 04431617 | 1 | | | | ECC | DGL | | COVER, Accumulator |
| 6 | 06501549 | 1 | | | | EDZ | DGL | | O RING, Accumulator, Transmission |
| 7 | 06501695 | 1 | | | | ECC | DGL | | SNAP RING |
| 8 | 04446544 | 2 | | | | EDZ | DGL | | SEAL, Accumulator |
| 9 | 04446620 | 1 | | | | ECC | DGL | | PISTON, Accumulator |
| 10 | 04659124 | 1 | | | | EDZ | DGL | | SPRING, Accumulator |

PT CRUISER (PT)

| | | | | |
|--------------|---|----------------|--|--|
| SERIES | LINE | BODY | ENGINE | TRANSMISSION |
| H = HIGHLINE | Z = CHRYSLER (RHD) C = CHRYSLER, LHD | 44 = Four Door | ECC = ENGINE - 2.0L 4 CYL DOHC 16V SMPI EDZ = ENGINE - 2.4L 4 CYL DOHC 16V SMPI | DGL = TRANSMISSION - 4-SPD. AUTOMATIC, 41TE DD5 = TRANSMISSION - 5-SPEED MANUAL DDO = All Manual Transmissions DGO = All Automatics |

AR = use ase required - = Non illustrated part

**Parking Sprag
Figure 41TE-730**

| ITEM | PART NUMBER | QTY | LINE | SERIES | BODY | ENGINE | TRANS | TRIM | DESCRIPTION |
|------|-------------|-----|------|--------|------|--------|-------|------|-------------|
|------|-------------|-----|------|--------|------|--------|-------|------|-------------|

NOTE:
Sales Codes:
DGL = 4 Spd Auto Trans 41TE - FWD
ECC = 2.0L 4 CYL DOHC
EDZ = 2.4L 4 CYL DOHC

| | | | | | | | | | |
|---|------------|---|--|--|--|-----|-----|--|-----------------------------------|
| 1 | | | | | | | | | GUIDE PACKAGE, Parking Sprag Pawl |
| | 04883505AA | 1 | | | | ECC | DGL | | |
| | | 1 | | | | EDZ | DGL | | |
| 2 | | | | | | | | | SPRING, Parking Sprag Return |
| | 04431653 | 1 | | | | ECC | DGL | | |
| | | 1 | | | | EDZ | DGL | | |
| 3 | | | | | | | | | SHAFT, Parking Sprag |
| | 04431999 | 1 | | | | ECC | DGL | | |
| | | 1 | | | | EDZ | DGL | | |
| 4 | | | | | | | | | SHAFT, Parking Sprag |
| | 04412289 | 1 | | | | ECC | DGL | | |
| | | 1 | | | | EDZ | DGL | | |
| 5 | | | | | | | | | CUP, Parking Brake Sprag |
| | 04446612 | 1 | | | | ECC | DGL | | |
| | | 1 | | | | EDZ | DGL | | |
| 6 | | | | | | | | | ROD, Parking Sprag |
| | 04431634 | 1 | | | | ECC | DGL | | |
| | | 1 | | | | EDZ | DGL | | |
| 7 | | | | | | | | | SNAP RING, Rod |
| | 06035256 | 1 | | | | ECC | DGL | | |
| | | 1 | | | | EDZ | DGL | | |

PT CRUISER (PT)

SERIES LINE
H = HIGHLINE Z = CHRYSLER (RHD)
C = CHRYSLER, LHD

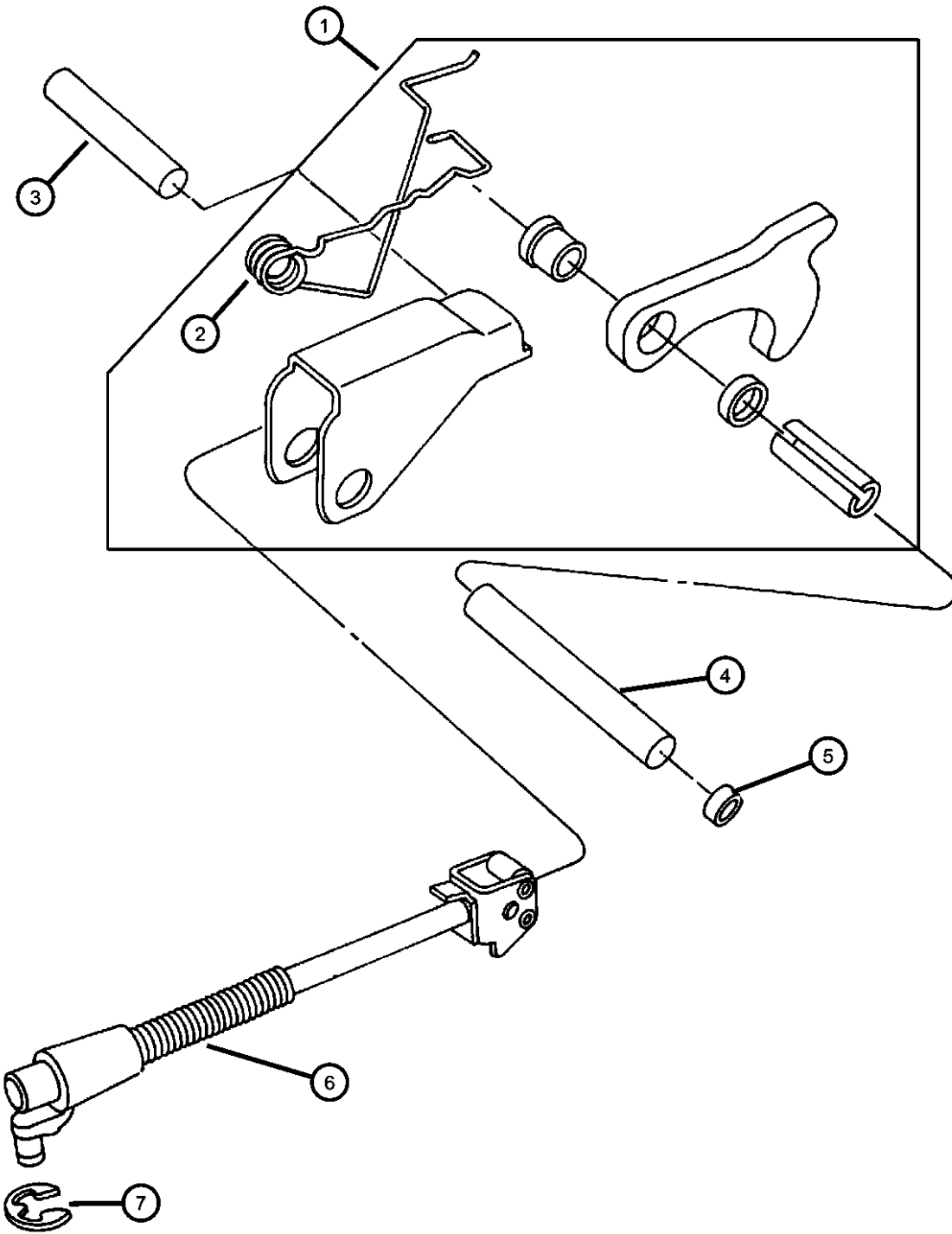
BODY
44 = Four Door

ENGINE
ECC = ENGINE - 2.0L 4 CYL DOHC 16V SMPI
EDZ = ENGINE - 2.4L 4 CYL DOHC 16V SMPI

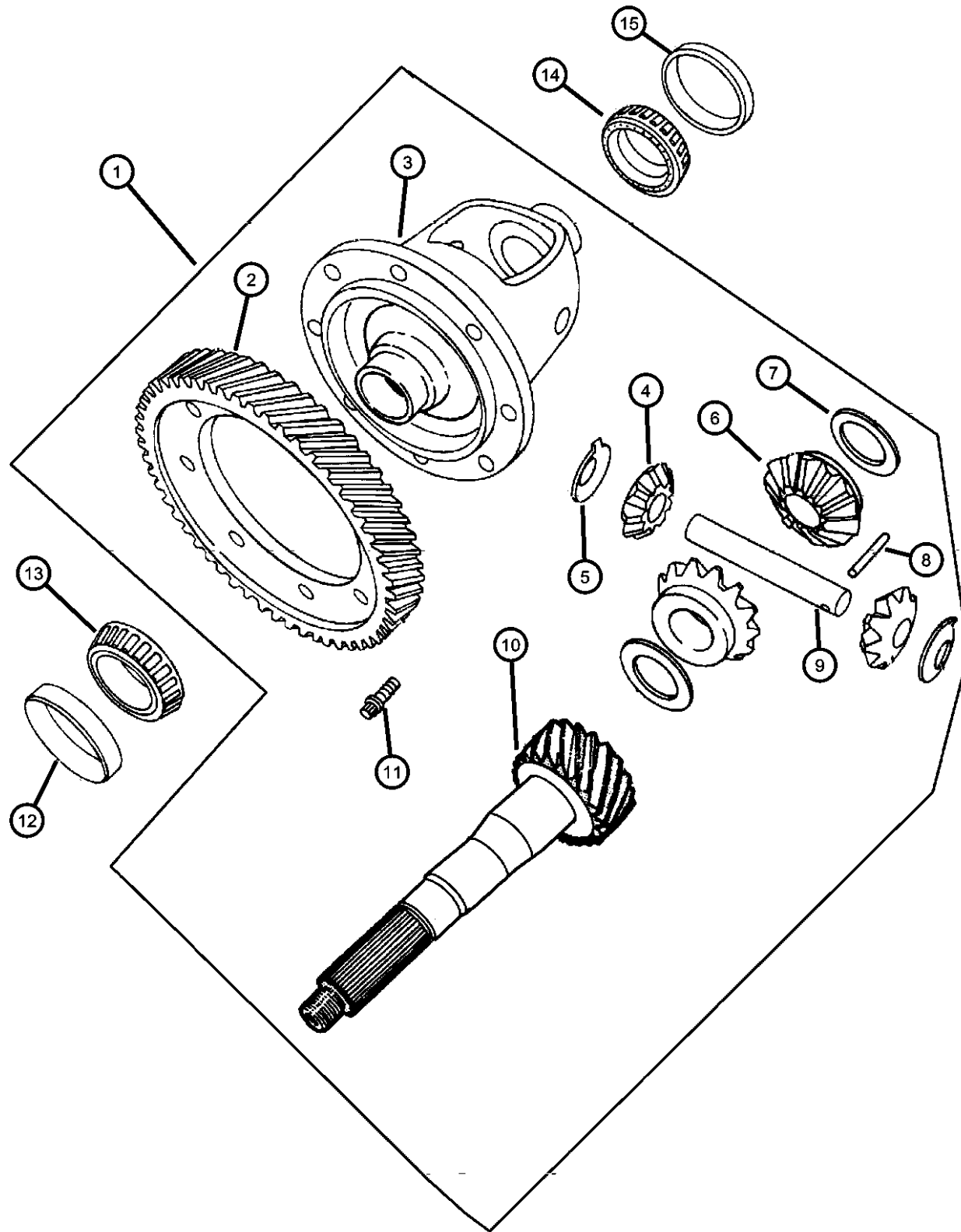
TRANSMISSION
DGL = TRANSMISSION - 4-SPD. AUTOMATIC, 41TE
DD5 = TRANSMISSION - 5-SPEED MANUAL
DDO = All Manual Transmissions
DGO = All Automatics

AR = use ase required - = Non illustrated part

2001 PT



Differential
Figure 41TE-810



| ITEM | PART NUMBER | QTY | LINE | SERIES | BODY | ENGINE | TRANS | TRIM | DESCRIPTION |
|------|-------------|-----|------|--------|------|--------|-------|------|-------------|
|------|-------------|-----|------|--------|------|--------|-------|------|-------------|

NOTE:
Sales Codes:
DGL = 4 Spd Auto Trans 41TE - FWD
ECC = 2.0L 4 Cyl. Engine DOHC
EDZ = 2.4L 4 Cyl. Engine DOHC

| | | | | | | | | | |
|----|----------|----|--|--|--|-----|-----|--|-----------------------------------|
| 1 | 04659496 | 1 | | | | ECC | DGL | | DIFFERENTIAL, Transaxle |
| | | 1 | | | | EDZ | DGL | | |
| 2 | 04659175 | 1 | | | | ECC | DGL | | GEAR, Differential Ring, 60 Teeth |
| | | 1 | | | | EDZ | DGL | | |
| 3 | 04659500 | 1 | | | | ECC | DGL | | CASE, Differential |
| | | 1 | | | | EDZ | DGL | | |
| 4 | 04348679 | 2 | | | | ECC | DGL | | PINION, Differential |
| | | 2 | | | | EDZ | DGL | | |
| 5 | 04412521 | 2 | | | | ECC | DGL | | WASHER, Thrust |
| | | 2 | | | | EDZ | DGL | | |
| 6 | 04659502 | 2 | | | | ECC | DGL | | GEAR, Differential Side |
| | | 2 | | | | EDZ | DGL | | |
| 7 | 04504568 | AR | | | | ECC | DGL | | WASHER PACKAGE, Side Gear Thrust |
| | | AR | | | | EDZ | DGL | | |
| 8 | 06503827 | 1 | | | | ECC | DGL | | PIN, Pinion Shaft |
| | | 1 | | | | EDZ | DGL | | |
| 9 | 04659142 | 1 | | | | ECC | DGL | | SHAFT, Pinion Gear |
| | | 1 | | | | EDZ | DGL | | |
| 10 | 04531976 | 1 | | | | ECC | DGL | | SHAFT, Transfer Gear |
| | | 1 | | | | EDZ | DGL | | |

PT CRUISER (PT)

SERIES LINE
H = HIGHLINE Z = CHRYSLER (RHD)
C = CHRYSLER, LHD

BODY
44 = Four Door

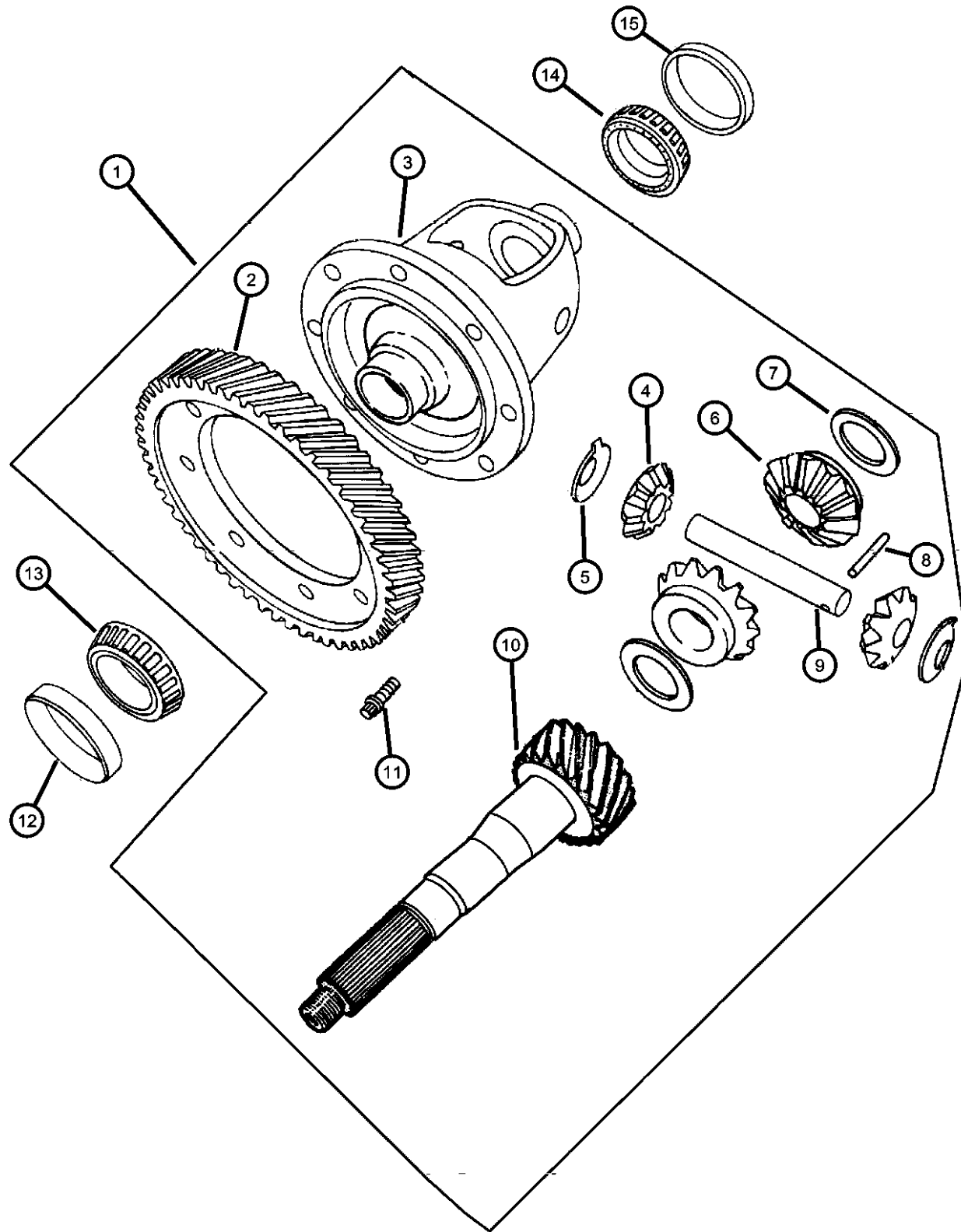
ENGINE
ECC = ENGINE - 2.0L 4 CYL DOHC 16V SMPI
EDZ = ENGINE - 2.4L 4 CYL DOHC 16V SMPI

TRANSMISSION
DGL = TRANSMISSION - 4-SPD. AUTOMATIC, 41TE
DD5 = TRANSMISSION - 5-SPEED MANUAL
DDO = All Manual Transmissions
DGO = All Automatics

AR = use ase required - = Non illustrated part

2001 PT

Differential
Figure 41TE-810



| ITEM | PART NUMBER | QTY | LINE | SERIES | BODY | ENGINE | TRANS | TRIM | DESCRIPTION |
|------|-------------|-----|------|--------|------|--------|-------|------|-----------------------------|
| 11 | | | | | | | | | BOLT, Hex Head, M10x1.00x25 |
| | 06501240 | 12 | | | | ECC | DGL | | |
| | | 12 | | | | EDZ | DGL | | |
| 12 | | | | | | | | | CUP, Differential Side |
| | 04659237 | 1 | | | | ECC | DGL | | |
| | | 1 | | | | EDZ | DGL | | |
| 13 | | | | | | | | | BEARING CONE, Differential |
| | 04659238 | 1 | | | | ECC | DGL | | |
| | | 1 | | | | EDZ | DGL | | |
| 14 | | | | | | | | | BEARING |
| | 04567025AB | 1 | | | | ECC | DGL | | |
| | | 1 | | | | EDZ | DGL | | |
| 15 | | | | | | | | | BEARING CUP, Differential |
| | 04567022 | 1 | | | | ECC | DGL | | |
| | | 1 | | | | EDZ | DGL | | |

PT CRUISER (PT)

SERIES LINE
H = HIGHLINE Z = CHRYSLER (RHD)
C = CHRYSLER, LHD

BODY
44 = Four Door

ENGINE TRANSMISSION
ECC = ENGINE - 2.0L 4 CYL DOHC 16V SMPI DGL = TRANSMISSION - 4-SPD. AUTOMATIC, 41TE
EDZ = ENGINE - 2.4L 4 CYL DOHC 16V SMPI DD5 = TRANSMISSION - 5-SPEED MANUAL
DDO = All Manual Transmissions
DGO = All Automatics

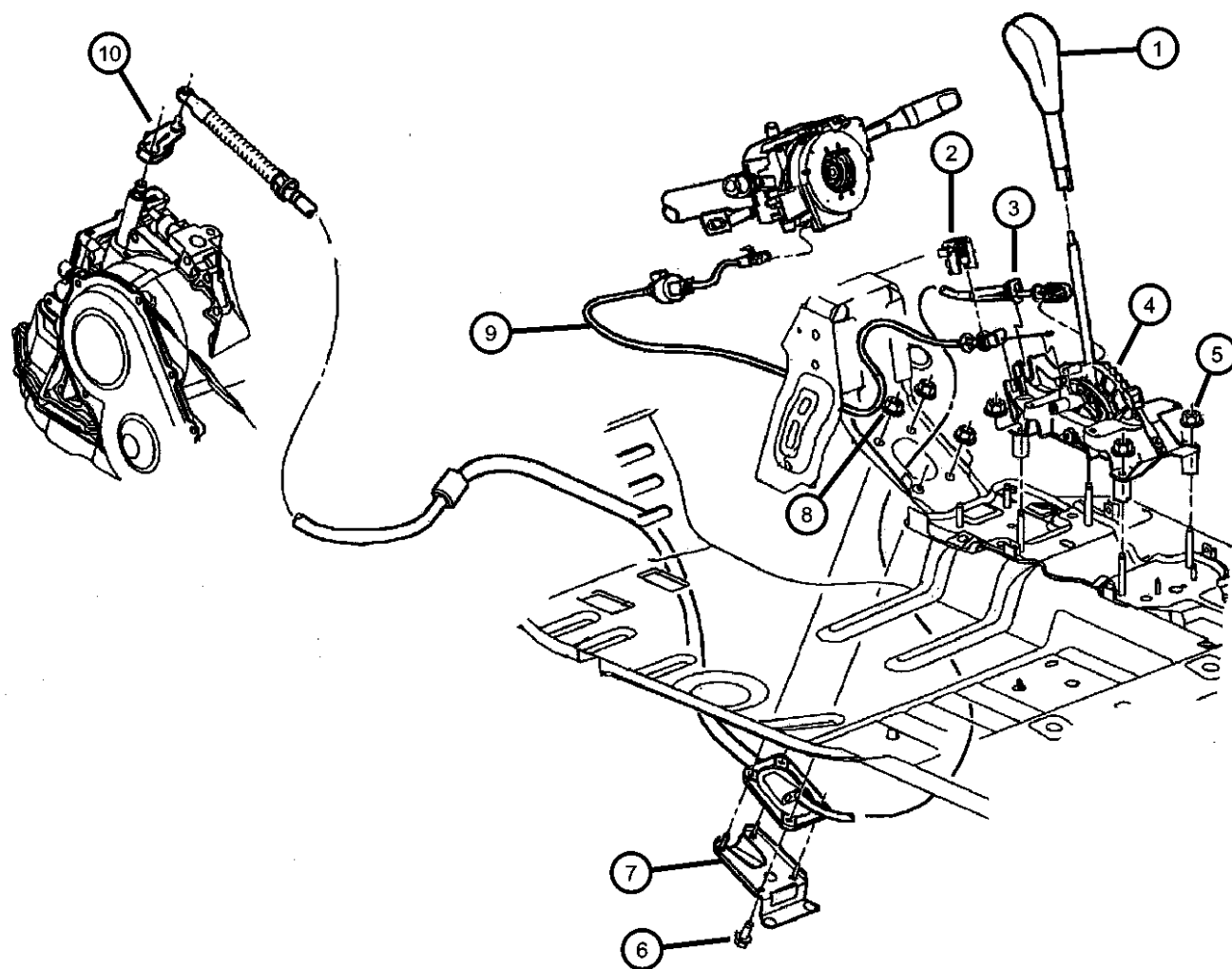
AR = use ase required - = Non illustrated part

2001 PT

Controls, Gearshift, Floor Shift
Figure 41TE-1210

| ITEM | PART NUMBER | QTY | LINE | SERIES | BODY | ENGINE | TRANS | TRIM | DESCRIPTION |
|------|-------------|-----|------|--------|------|--------|-------|------|-------------|
|------|-------------|-----|------|--------|------|--------|-------|------|-------------|

NOTE
 Sales Codes:
 DGL = 4 Spd Auto Trans 412TE - FWD



| | | | | | | | | | |
|----|------------|---|--|---|--|--|-----|--|--|
| 1 | | | | | | | | | KNOB, Gearshift |
| | 0TP031L8AA | 1 | | | | | DGL | | Leather -Taupe |
| | 0TP321L8AA | 1 | | | | | DGL | | Vinyl - Taupe |
| 2 | 04668630AB | 1 | | | | | DGL | | CLIP, Locking |
| 3 | 04668900AF | 1 | | | | | DGL | | CABLE, Gearshift Control |
| 4 | 04668205AE | 1 | | | | | DGL | | SHIFTER, Transmission |
| 5 | 06101695 | 4 | | | | | DGL | | NUT, Hex Flange Lock, M8x1.25 |
| 6 | 06034716 | 4 | | | | | | | SCREW AND WASHER, Hex Flange Head, .25-14x.875 |
| 7 | 04670042AG | 1 | | | | | | | PLATE, Transmission Shifter |
| 8 | 06100048 | 4 | | | | | | | NUT, Hex, M6x1.00 |
| 9 | | | | | | | | | CABLE, Ignition Interlock |
| | 04668592AB | 1 | | C | | | DGL | | |
| | 04668698AC | 1 | | Z | | | DGL | | |
| 10 | 04670322 | 1 | | | | | DGL | | LEVER, Manual Control |

PT CRUISER (PT)

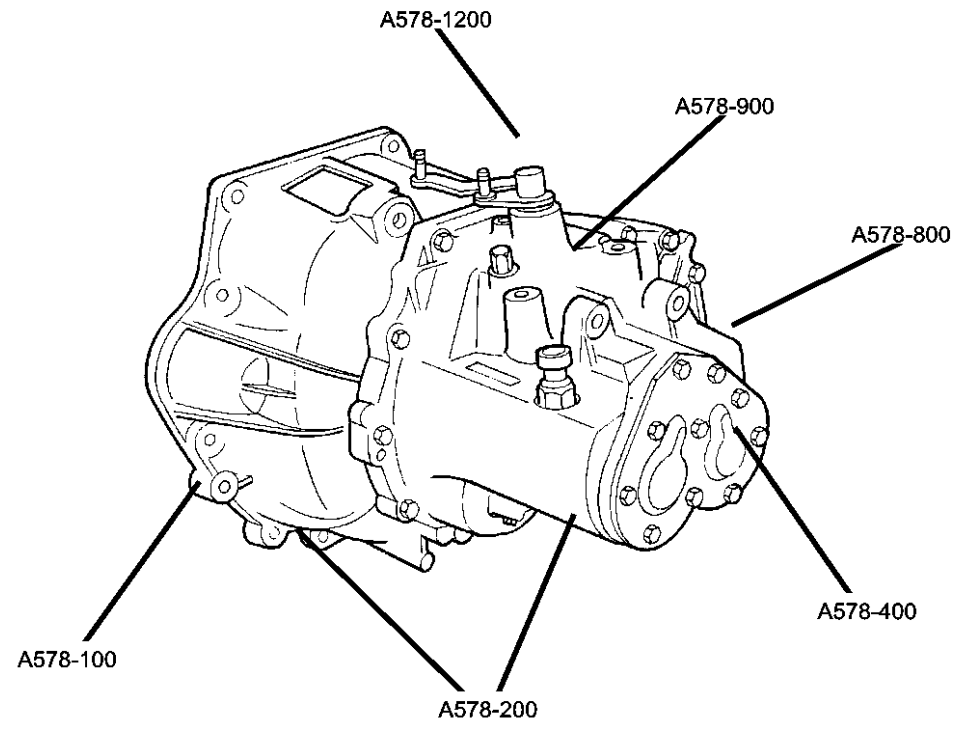
| | | | | |
|--------------|---|----------------|--|--|
| SERIES | LINE | BODY | ENGINE | TRANSMISSION |
| H = HIGHLINE | Z = CHRYSLER (RHD) C = CHRYSLER, LHD | 44 = Four Door | ECC = ENGINE - 2.0L 4 CYL DOHC 16V SMPI EDZ = ENGINE - 2.4L 4 CYL DOHC 16V SMPI | DGL = TRANSMISSION - 4-SPD. AUTOMATIC, 41TE DD5 = TRANSMISSION - 5-SPEED MANUAL DDO = All Manual Transmissions DGO = All Automatics |

AR = use ase required - = Non illustrated part

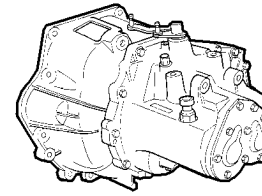
2001 PT

Group - T350

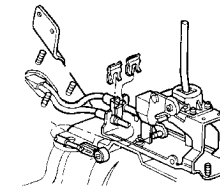
NVG Manual Transaxle 5 Speed



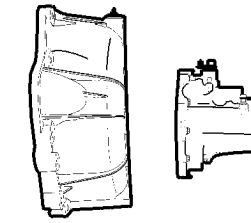
T350-100
Transaxle Assembly



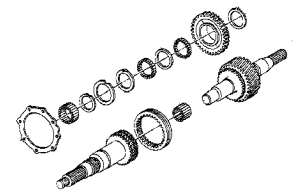
T350-1200
Gearshift Controls



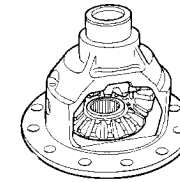
T350-200
Case and Extension



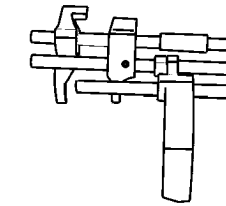
T350-400
Gear Train



T350-800
Differential



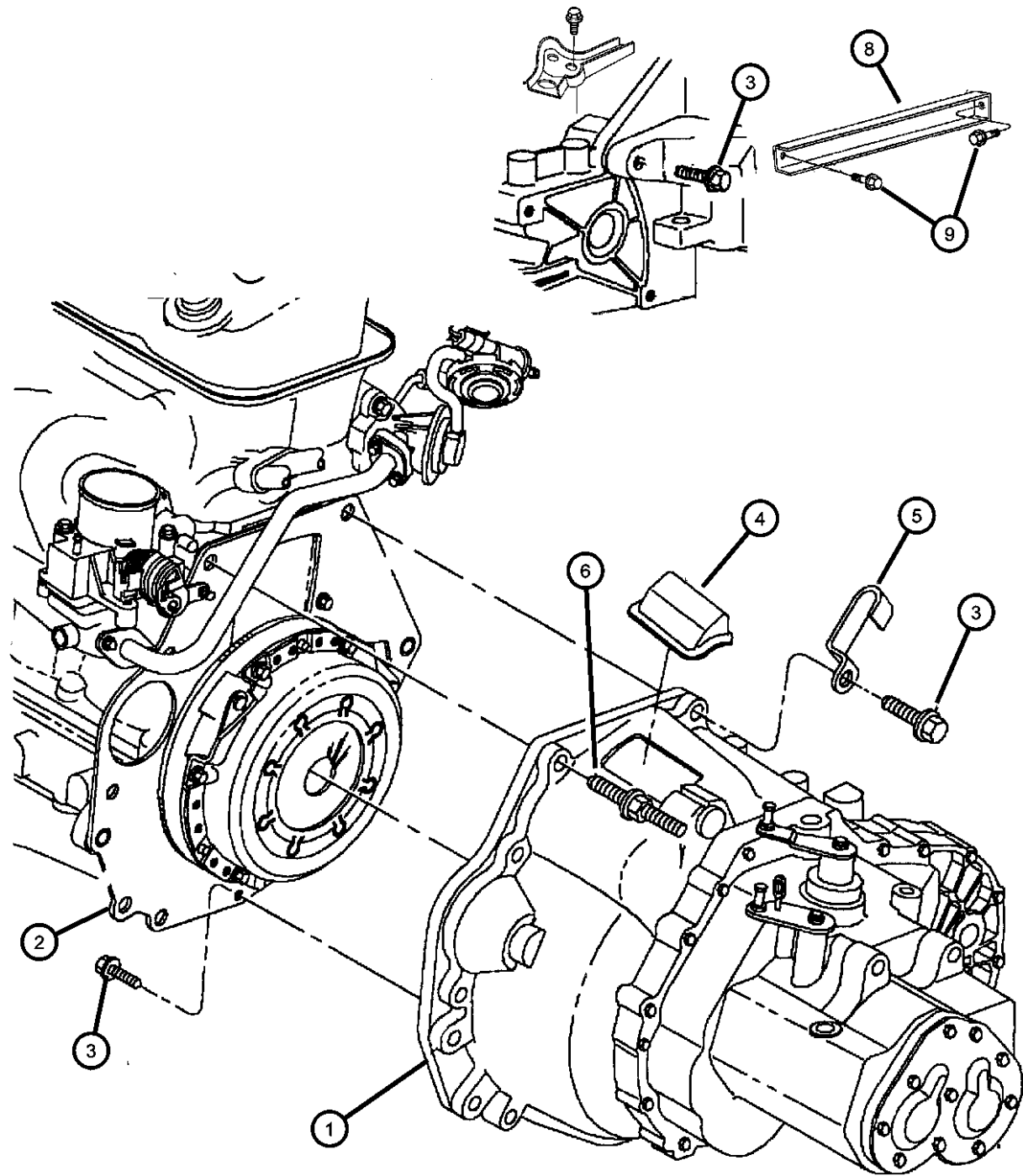
T350-900
Fork and Rails



Group - T350 NVG Manual Transaxle 5 Speed

| Illustration Title | Group-Fig. No. |
|---|------------------|
| Transaxle Assembly | |
| Transaxle Assemblies and Mounting | Fig. T350 - 110 |
| Case and Extension | |
| Case, Transaxle and Related Parts..... | Fig. T350 - 210 |
| Gear Train | |
| Gear Train | Fig. T350 - 410 |
| Differential | |
| Differential | Fig. T350 - 810 |
| Fork and Rails | |
| Fork and Rails | Fig. T350 - 910 |
| Gearshift Controls | |
| Gearshift Controls..... | Fig. T350 - 1210 |

**Transaxle Assemblies and Mounting
Figure T350-110**



| ITEM | PART NUMBER | QTY | LINE | SERIES | BODY | ENGINE | TRANS | TRIM | DESCRIPTION |
|------|-------------|-----|------|--------|------|--------|-------|------|-------------|
|------|-------------|-----|------|--------|------|--------|-------|------|-------------|

NOTE
Sales Codes:
[DD5] = 5 Spd Manual Trans A578
[ECC] = 2.0L 4 Cyl. Engine DOHC
[EDZ] = 2.4L 4 Cyl. Engine DOHC

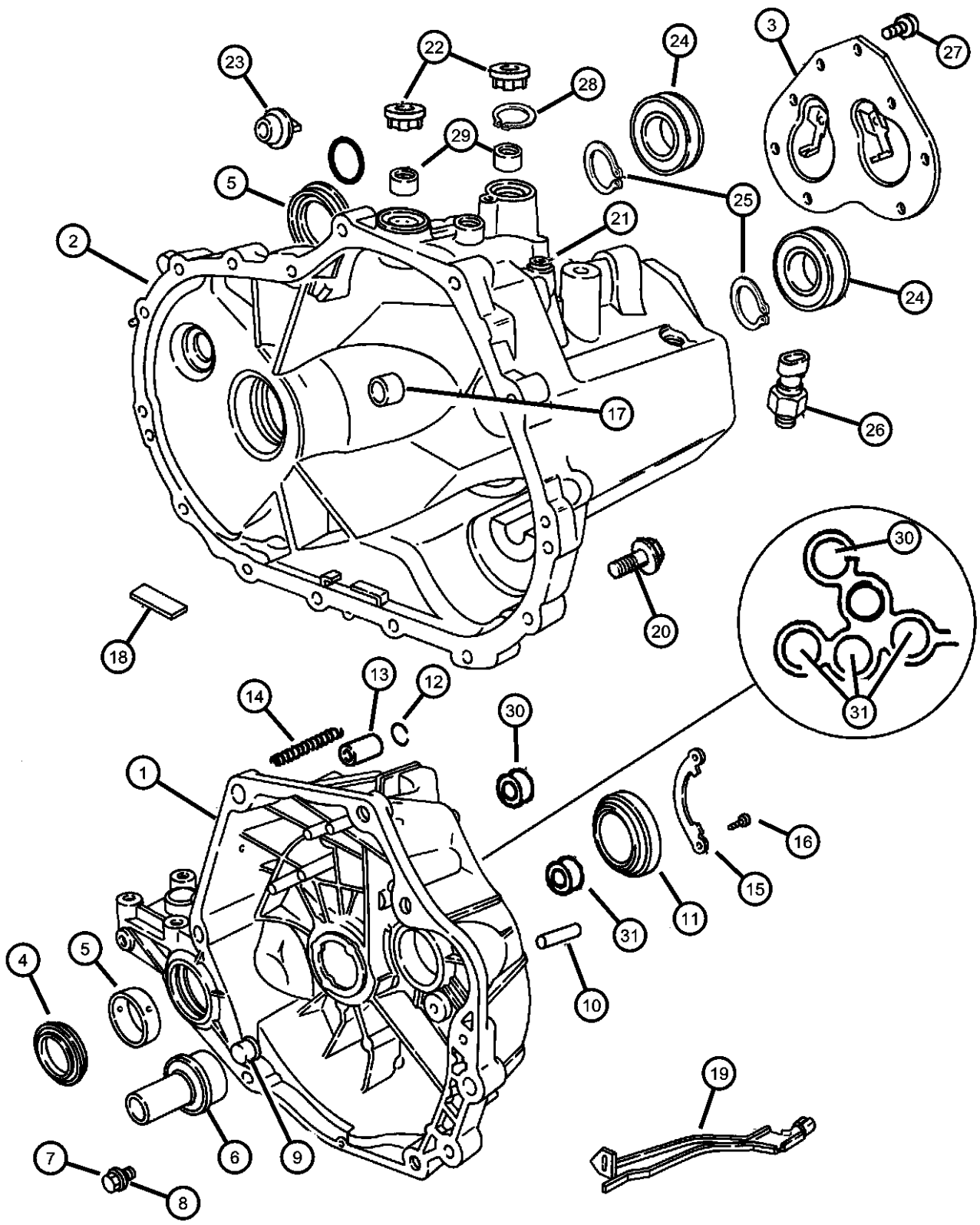
| | | | | | | | | | |
|----|--|---|--|--|--|----------|-----|--|--|
| 1 | 05017776AA 05013457AA 05013458AA | 1 | | | | | DD5 | | TRANSAXLE Mopar Automatic Transmission Fluid Quart Mopar Automatic Transmission Fluid Gallon |
| 2 | 04567147 | 1 | | | | ECC | DD5 | | COVER, Transaxle Converter |
| 3 | 06501742 | 3 | | | | | DD5 | | SCREW, Hex Head, M12x1.75x50 |
| 4 | 04670071 | 1 | | | | | DD5 | | BOOT, Clutch Release Lever |
| 5 | 04608404 | 1 | | | | ECC, EDZ | | | CLIP, Transaxle |
| 6 | 06505658AA | 1 | | | | | | | STUD |
| -7 | 04761085 | 2 | | | | | DD5 | | STUD, M12x1.75/M10x1.25x94.5 |
| 8 | 04668481AA | 1 | | | | ECC | DD5 | | STRUT, Engine |
| 9 | 06101503 | 2 | | | | | | | SCREW AND WASHER, Hex Head, M10x1.5x25 |

PT CRUISER (PT)

| | | | | |
|--------------|---|----------------|--|--|
| SERIES | LINE | BODY | ENGINE | TRANSMISSION |
| H = HIGHLINE | Z = CHRYSLER (RHD) C = CHRYSLER, LHD | 44 = Four Door | ECC = ENGINE - 2.0L 4 CYL DOHC 16V SMPI EDZ = ENGINE - 2.4L 4 CYL DOHC 16V SMPI | DGL = TRANSMISSION - 4-SPD. AUTOMATIC, 41TE DD5 = TRANSMISSION - 5-SPEED MANUAL DDO = All Manual Transmissions DGO = All Automatics |

AR = use ase required - = Non illustrated part

Case, Transaxle and Related Parts
Figure T350-210



| ITEM | PART NUMBER | QTY | LINE | SERIES | BODY | ENGINE | TRANS | TRIM | DESCRIPTION |
|------|-------------|-----|------|--------|------|--------|-------|------|---|
| 1 | 05016237AA | 1 | | | | | DD5 | | HOUSING, Clutch |
| 2 | 05016883AA | 1 | | | | | DD5 | | CASE, Transmission |
| 3 | 05014463AA | 1 | | | | | DD5 | | PLATE, Transaxle Case Rear |
| 4 | 04761107 | 1 | | | | | DD5 | | SEAL, Axle Drive Shaft |
| 5 | 04567022 | 1 | | | | | DD5 | | BEARING CUP, Differential |
| 6 | 04761090 | 1 | | | | | DD5 | | BEARING, Input Shaft |
| 7 | 04761101 | 1 | | | | | DD5 | | SCREW, Drain |
| 8 | 04761100 | 1 | | | | | DD5 | | WASHER, Drain Plug |
| 9 | 04670240 | 1 | | | | | DD5 | | PIVOT, Clutch Release Lever |
| 10 | 04761099 | 2 | | | | | DD5 | | PIN, Locating |
| 11 | 04761093 | 1 | | | | | DD5 | | BEARING PACKAGE, Output Shaft |
| 12 | 04761080 | 2 | | | | | | | SNAP RING |
| 13 | 04761094 | 1 | | | | | DD5 | | DETENT, Valve Body |
| 14 | 04761095 | 1 | | | | | DD5 | | SPRING, Select Detent |
| 15 | 04761097 | 1 | | | | | DD5 | | RETAINER, Transmission Output Shaft Bearing |
| 16 | 04761098 | 2 | | | | | DD5 | | BOLT, Output Shaft Bearing |
| 17 | 04740899 | 1 | | | | | DD5 | | BUSHING, Shift Rail |
| 18 | 04761078 | 1 | | | | | DD5 | | MAGNET, Transmission |
| 19 | 04761087 | 1 | | | | | DD5 | | TROUGH, Lubrication |
| 20 | 06100299 | 13 | | | | | DD5 | | BOLT AND CONED WASHER, Hex Head, M8x45x17 |
| 21 | 02124715 | 1 | | | | | DD5 | | VENT, Cap, Jiggle |
| 22 | 04761077 | 2 | | | | | DD5 | | SEAL, Shift Lever |
| 23 | 04348325 | 1 | | | | | DD5 | | PLUG, Oil Fill |
| 24 | 05013634AA | 2 | | | | | DD5 | | BEARING, Input Shaft |
| 25 | 04761096 | 1 | | | | | DD5 | | SNAP RING |
| 26 | 04864775 | 1 | | | | | DD5 | | SWITCH, Back Up Lamp |
| 27 | 04761082 | 10 | | | | | DD5 | | BOLT, Case Plate |
| 28 | 04762606 | 1 | | | | | DD5 | | RETAINER, Shaft |
| 29 | 04762602 | 1 | | | | | DD5 | | BUSHING, Crossover Shaft |
| 30 | 04761076 | 1 | | | | | DD5 | | BUSHING, Shift Rail, 15mm I/D |

PT CRUISER (PT)

SERIES LINE
H = HIGHLINE Z = CHRYSLER (RHD)
C = CHRYSLER, LHD

BODY
44 = Four Door

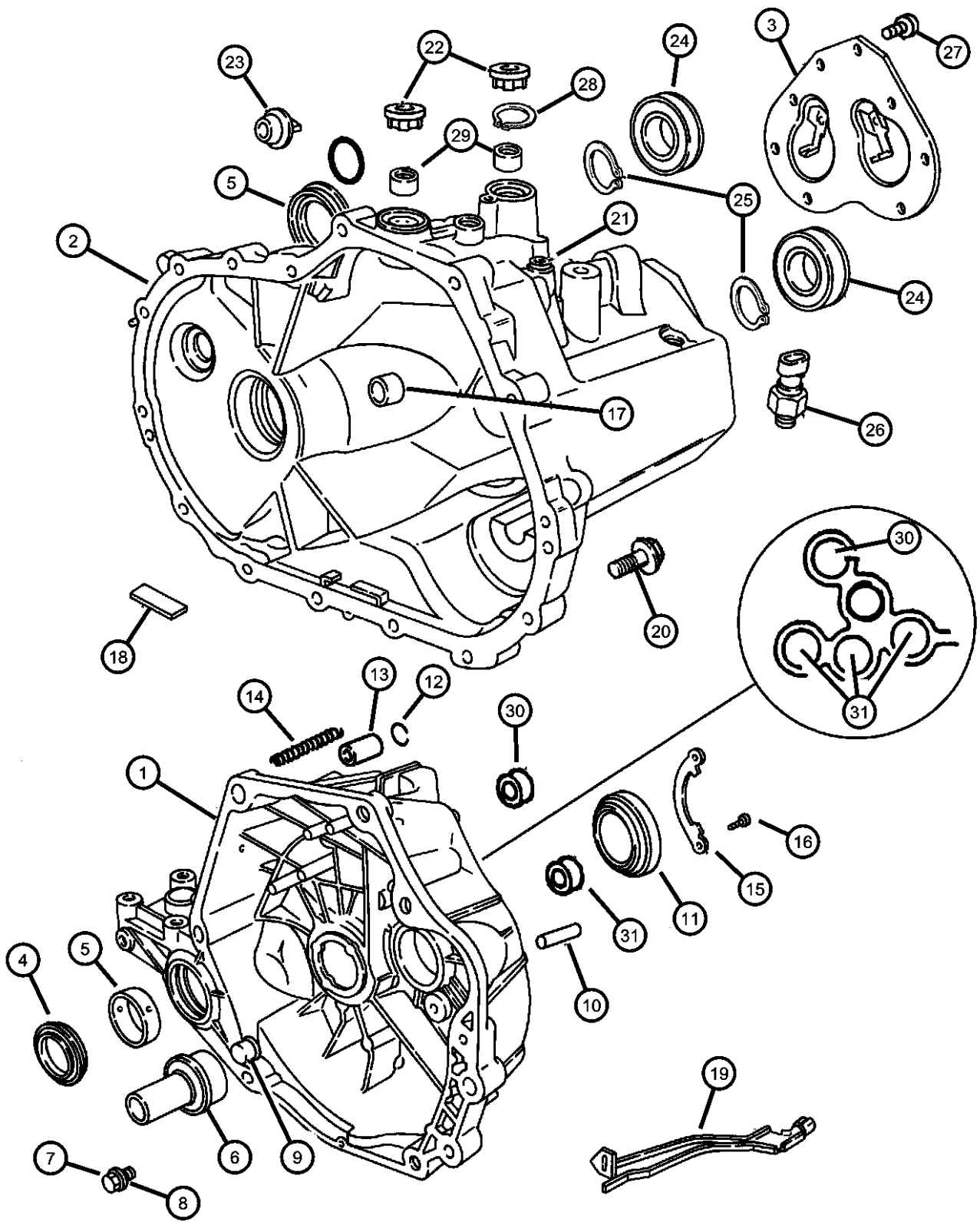
ENGINE
ECC = ENGINE - 2.0L 4 CYL
DOHC 16V SMPI
EDZ = ENGINE - 2.4L 4 CYL
DOHC 16V SMPI

TRANSMISSION
DGL = TRANSMISSION - 4-SPD.
AUTOMATIC, 41TE
DD5 = TRANSMISSION - 5-SPEED
MANUAL
DDO = All Manual Transmissions
DGO = All Automatics

AR = use ase required - = Non illustrated part

2001 PT

Case, Transaxle and Related Parts
Figure T350-210



| ITEM | PART NUMBER | QTY | LINE | SERIES | BODY | ENGINE | TRANS | TRIM | DESCRIPTION |
|------|-------------|-----|------|--------|------|--------|-------|------|--|
| 31 | 04740899 | 1 | | | | | DD5 | | BUSHING, Shift Rail 15mm I/D, 12mm Long |
| | 04762605 | 3 | | | | | DD5 | | 14mm I/D, 10mm Long |

PT CRUISER (PT)

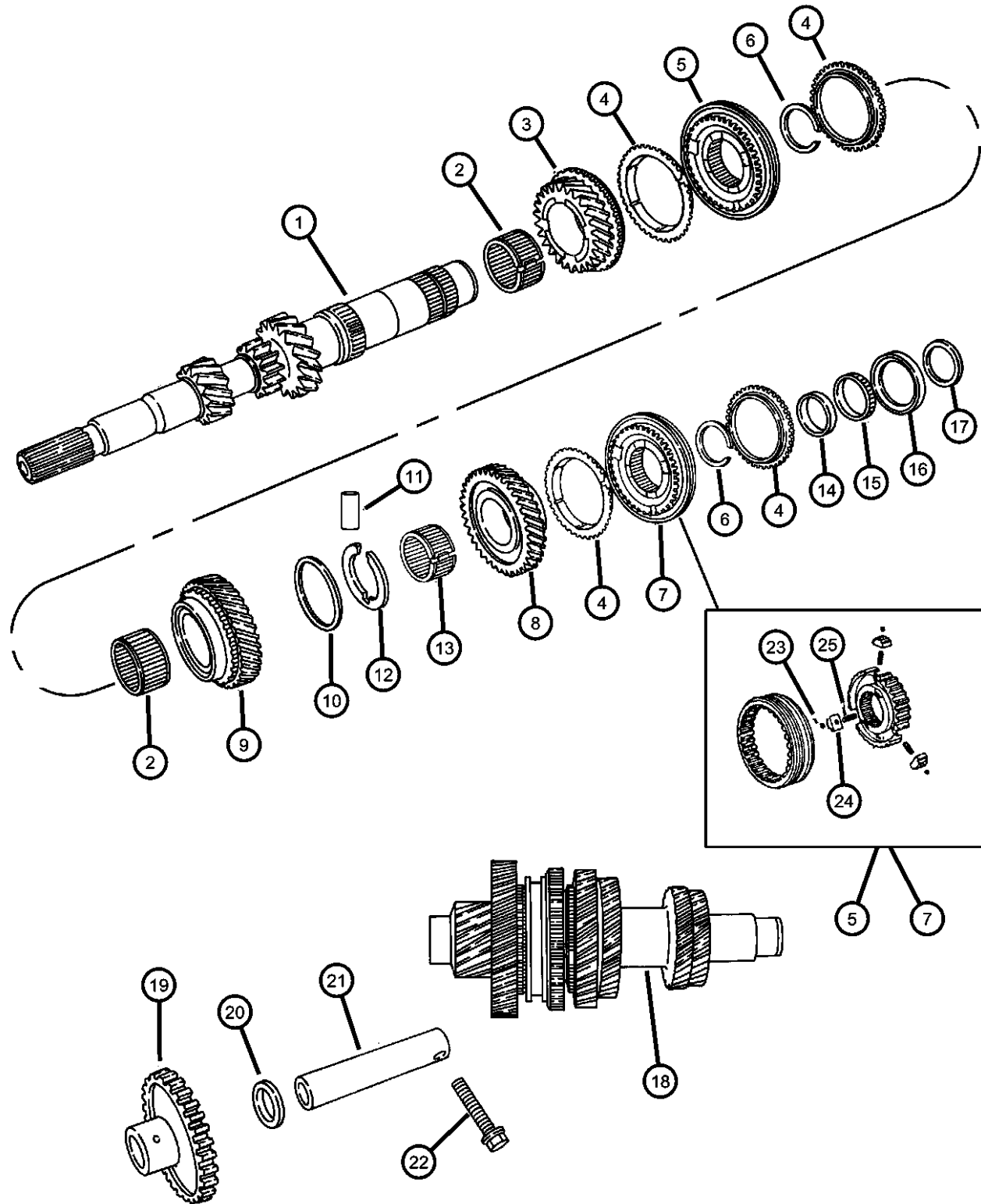
SERIES LINE
H = HIGHLINE Z = CHRYSLER (RHD)
C = CHRYSLER, LHD

BODY
44 = Four Door

ENGINE TRANSMISSION
ECC = ENGINE - 2.0L 4 CYL DOHC 16V SMPI DGL = TRANSMISSION - 4-SPD. AUTOMATIC, 41TE
EDZ = ENGINE - 2.4L 4 CYL DOHC 16V SMPI DD5 = TRANSMISSION - 5-SPEED MANUAL
DDO = All Manual Transmissions
DGO = All Automatics

AR = use ase required - = Non illustrated part

Gear Train
Figure T350-410



| ITEM | PART NUMBER | QTY | LINE | SERIES | BODY | ENGINE | TRANS | TRIM | DESCRIPTION |
|--|-------------|-----|------|--------|------|--------|-------|------|---|
| NOTE: Sales Codes: DD5 = 5 Spd Manual Trans A578 | | | | | | | | | |
| 1 | 05016882AA | 1 | | | | | DD5 | | INPUT SHAFT PACKAGE, Transaxle |
| 2 | 04762612 | 1 | | | | | DD5 | | NEEDLE BEARING |
| 3 | 05016596AA | 1 | | | | | DD5 | | GEAR, Third |
| 4 | 04874135 | 2 | | | | | DD5 | | STOP RING, Synchronizer |
| 5 | 04761133 | 1 | | | | | DD5 | | SYNCHRONIZER, Third and Fourth |
| 6 | 04761136 | 1 | | | | | DD5 | | RING, Synchronizer Hub, Yellow |
| 7 | 04874136 | 1 | | | | | DD5 | | SYNCHRONIZER, Fifth |
| 8 | 04761141 | 1 | | | | | DD5 | | GEAR, Fifth |
| 9 | 05016877AA | 1 | | | | | DD5 | | GEAR, Fourth |
| 10 | 04761138 | 1 | | | | | DD5 | | RING, 4th Gear |
| 11 | 04761140 | 1 | | | | | DD5 | | PIN, Mainshaft |
| 12 | 04761137 | 2 | | | | | DD5 | | WASHER, Fourth Gear |
| 13 | 04761119 | 1 | | | | | DD5 | | NEEDLE BEARING |
| 14 | 04761120 | 1 | | | | | DD5 | | BEARING CUP, Reverse Brake |
| 15 | 04761119 | 1 | | | | | DD5 | | NEEDLE BEARING |
| 16 | 04761121 | 1 | | | | | DD5 | | BEARING CONE, Reverse Brake |
| 17 | 04761118 | 1 | | | | | DD5 | | SPACER, Reverse Brake |
| 18 | 05017853AA | 1 | | | | | DD5 | | OUTPUT SHAFT, Transaxle |
| 19 | 04886482AA | 1 | | | | | DD5 | | GEAR, Reverse Idler |
| 20 | 04761127 | 1 | | | | | DD5 | | SPACER, Reverse Idler |
| 21 | 04761126 | 1 | | | | | DD5 | | IDLER SHAFT, Transmission |
| 22 | 06100299 | 13 | | | | | DD5 | | BOLT AND CONED WASHER, Hex Head, M8x45x17 |
| 23 | 06100299 | 13 | | | | | | | BALL, Pivot, (NOT SERVICED) |
| 24 | 04863720 | AR | | | | | DD5 | | KEY, Synchronizer |
| 25 | 04761113 | 3 | | | | | DD5 | | SPRING, Synchronizer |
| -26 | 06503943 | 4 | | | | | | | RETAINER |

PT CRUISER (PT)

SERIES LINE
H = HIGHLINE Z = CHRYSLER (RHD)
C = CHRYSLER, LHD

BODY
44 = Four Door

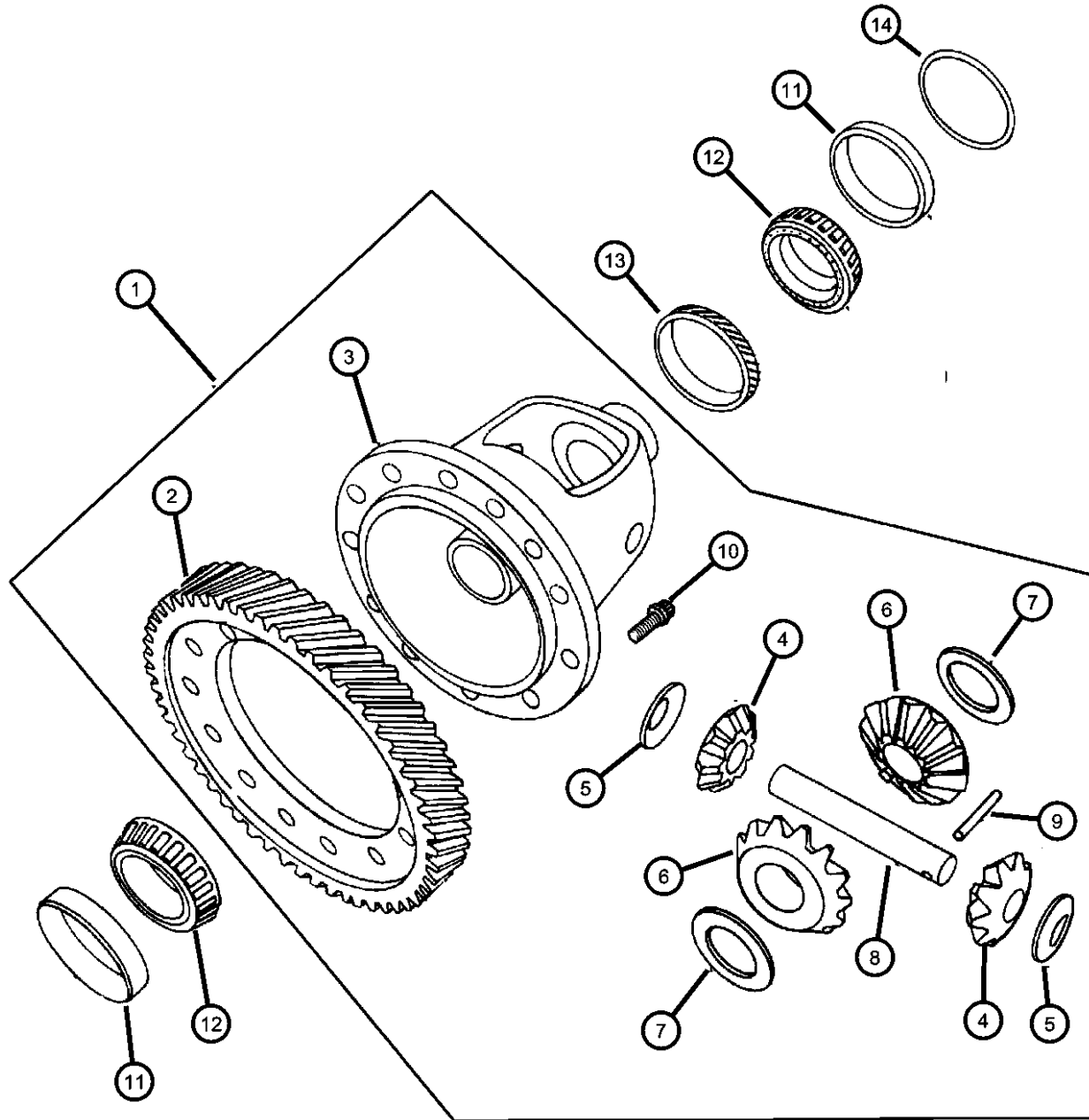
ENGINE
ECC = ENGINE - 2.0L 4 CYL DOHC 16V SMPI
EDZ = ENGINE - 2.4L 4 CYL DOHC 16V SMPI

TRANSMISSION
DGL = TRANSMISSION - 4-SPD. AUTOMATIC, 41TE
DD5 = TRANSMISSION - 5-SPEED MANUAL
DDO = All Manual Transmissions
DGO = All Automatics

AR = use ase required - = Non illustrated part

2001 PT

Differential Figure T350-810



| ITEM | PART NUMBER | QTY | LINE | SERIES | BODY | ENGINE | TRANS | TRIM | DESCRIPTION |
|---|-------------|-----|------|--------|------|--------|-------|------|----------------------------------|
| NOTE: Sales Codes: DD5 = 5 Spd Manual Trans A578 ECC=2.0L 4 Cyl DOHC 16V | | | | | | | | | |
| 1 | 05017848AA | 1 | | | | | DD5 | | DIFFERENTIAL, Transaxle |
| 2 | 05017849AA | 1 | | | | | DD5 | | GEAR, Differential Ring |
| 3 | 04761102 | 1 | | | | | DD5 | | CASE, Differential |
| 4 | 04348679 | 1 | | | | | DD5 | | PINION, Differential |
| 5 | 04137024 | 2 | | | | | DD5 | | WASHER, Pinion Thrust |
| 6 | 04659502 | 2 | | | | | DD5 | | GEAR, Differential Side |
| 7 | 04504568 | AR | C | | | ECC | DD5 | | WASHER PACKAGE, Side Gear Thrust |
| 8 | 04659142 | 1 | | | | | DD5 | | SHAFT, Pinion Gear |
| 9 | 06503827 | 1 | | | | | DD5 | | PIN, Pinion Shaft |
| 10 | 05017180AA | 12 | | | | | DD5 | | BOLT, Differential Ring Gear |
| 11 | 04567022 | 1 | | | | | DD5 | | BEARING CUP, Differential |
| 12 | 04567025AB | 2 | | | | | DD5 | | BEARING |
| 13 | 04797316 | 1 | | | | | DD5 | | GEAR, Speedometer Drive |
| 14 | 04883546AA | 1 | | | | | DD5 | | SHIM, Final Drive, .42mm |
| -15 | 04883545AA | 1 | | | | | DD5 | | SHIM, Final Drive, .46mm |
| -16 | 05222345 | 1 | | | | | DD5 | | SHIM, Final Drive, .50mm |
| -17 | 05222346 | 1 | | | | | DD5 | | SHIM, Final Drive, .54mm |
| -18 | 05222347 | 1 | | | | | DD5 | | SHIM, Final Drive, .58mm |
| -19 | 05222348 | 1 | | | | | DD5 | | SHIM, Final Drive, .62mm |
| -20 | 05222349 | 1 | | | | | DD5 | | SHIM, Final Drive, .66mm |
| -21 | 05222350 | 1 | | | | | DD5 | | SHIM, Final Drive, .70mm |
| -22 | 05222352 | 1 | | | | | DD5 | | SHIM, Final Drive, .78mm |
| -23 | 05222353 | 1 | | | | | DD5 | | SHIM, Final Drive, .82mm |
| -24 | 05222355 | 1 | | | | | DD5 | | SHIM, Final Drive, .90mm |
| -25 | 05222356 | 1 | | | | | DD5 | | SHIM, Final Drive, .94mm |
| -26 | 05222358 | 1 | | | | | DD5 | | SHIM, Final Drive, 1.02mm |
| -27 | 05222359 | 1 | | | | | DD5 | | SHIM, Final Drive, 1.06mm |
| -28 | 05222362 | 1 | | | | | DD5 | | SHIM, Final Drive, 1.18mm |
| -29 | 05222364 | 1 | | | | | DD5 | | SHIM, Final Drive, 1.26mm |
| -30 | 05222365 | 1 | | | | | DD5 | | SHIM, Final Drive, 1.30mm |

PT CRUISER (PT)

SERIES LINE
H = HIGHLINE Z = CHRYSLER (RHD)
C = CHRYSLER, LHD

BODY
44 = Four Door

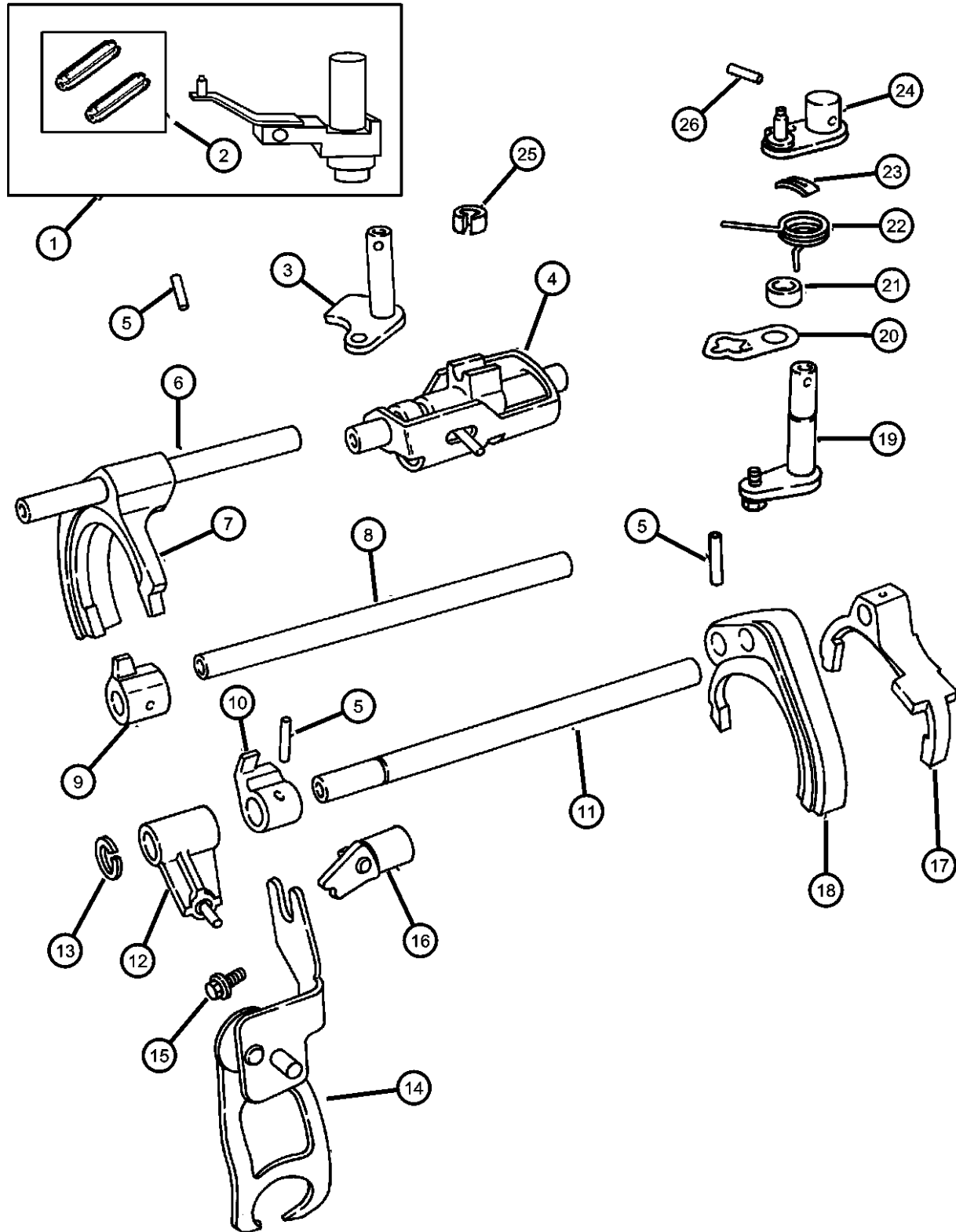
ENGINE
ECC = ENGINE - 2.0L 4 CYL
DOHC 16V SMPI
EDZ = ENGINE - 2.4L 4 CYL
DOHC 16V SMPI

TRANSMISSION
DGL = TRANSMISSION - 4-SPD.
AUTOMATIC, 41TE
DD5 = TRANSMISSION - 5-SPEED
MANUAL
DDO = All Manual Transmissions
DGO = All Automatics

AR = use ase required - = Non illustrated part

2001 PT

Fork and Rails
Figure T350-910



| ITEM | PART NUMBER | QTY | LINE | SERIES | BODY | ENGINE | TRANS | TRIM | DESCRIPTION |
|------|-------------|-----|------|--------|------|--------|-------|------|-------------|
|------|-------------|-----|------|--------|------|--------|-------|------|-------------|

NOTE:
Sales Codes:
DD5 = 5 Spd Manual Trans A578

| | | | | | | | | | |
|----|------------|---|--|--|--|--|-----|--|-------------------------------|
| 1 | 05014465AA | 1 | | | | | DD5 | | LEVER PACKAGE, Gearshift |
| 2 | 04778249 | 1 | | | | | DD5 | | PIN, Shift Shaft |
| 3 | 04773411 | 1 | | | | | DD5 | | SHAFT, Detent |
| 4 | 04761146 | 1 | | | | | DD5 | | BLOCKER, Shift |
| 5 | 06101475 | 1 | | | | | DD5 | | PIN |
| 6 | 04761176 | 1 | | | | | DD5 | | RAIL, First and Second Shift |
| 7 | 04796649 | 1 | | | | | DD5 | | FORK, Transmission |
| 8 | 05014862AA | 1 | | | | | DD5 | | RAIL, Third and Fourth Shift |
| 9 | 04761179 | 1 | | | | | DD5 | | LUG, Third and Fourth Shift |
| 10 | 04761181 | 1 | | | | | DD5 | | LUG, Fifth and Reverse |
| 11 | 04761180 | 1 | | | | | DD5 | | RAIL, Fifth and Reverse Shift |
| 12 | 04761182 | 1 | | | | | DD5 | | ARM, Reverse Lever |
| 13 | 06501862 | 1 | | | | | DD5 | | SNAP RING |
| 14 | 04761152 | 1 | | | | | DD5 | | BRACKET, Reverse Shift Rod |
| 15 | 04761153 | 2 | | | | | DD5 | | SCREW, Reverse Bracket |
| 16 | 04761154 | 1 | | | | | DD5 | | CAM, Reverse Block |
| 17 | 04874137 | 1 | | | | | DD5 | | FORK, Transmission |
| 18 | 04796649 | 1 | | | | | DD5 | | FORK, Transmission |
| 19 | 04761147 | 1 | | | | | DD5 | | LEVER, Crossover |
| 20 | 04761148 | 1 | | | | | DD5 | | PLATE, Crossover Stop |
| 21 | 04761151 | 1 | | | | | DD5 | | SPACER, Inner Crossover Lever |
| 22 | 04761149 | 1 | | | | | DD5 | | SPRING, Crossover Lever |
| 23 | 04761150 | 1 | | | | | DD5 | | RETAINER, Spring |
| 24 | 04761143 | 1 | | | | | DD5 | | LEVER, Crossover |
| 25 | 04761158 | 1 | | | | | DD5 | | CLIP, Detent Shaft |
| 26 | 04762603 | 1 | | | | | DD5 | | PIN, Shift Shaft |

PT CRUISER (PT)

SERIES LINE
H = HIGHLINE Z = CHRYSLER (RHD)
C = CHRYSLER, LHD

BODY
44 = Four Door

ENGINE TRANSMISSION
ECC = ENGINE - 2.0L 4 CYL DOHC 16V SMPI
EDZ = ENGINE - 2.4L 4 CYL DOHC 16V SMPI
DGL = TRANSMISSION - 4-SPD. AUTOMATIC, 41TE
DD5 = TRANSMISSION - 5-SPEED MANUAL
DDO = All Manual Transmissions
DGO = All Automatics

AR = use ase required - = Non illustrated part

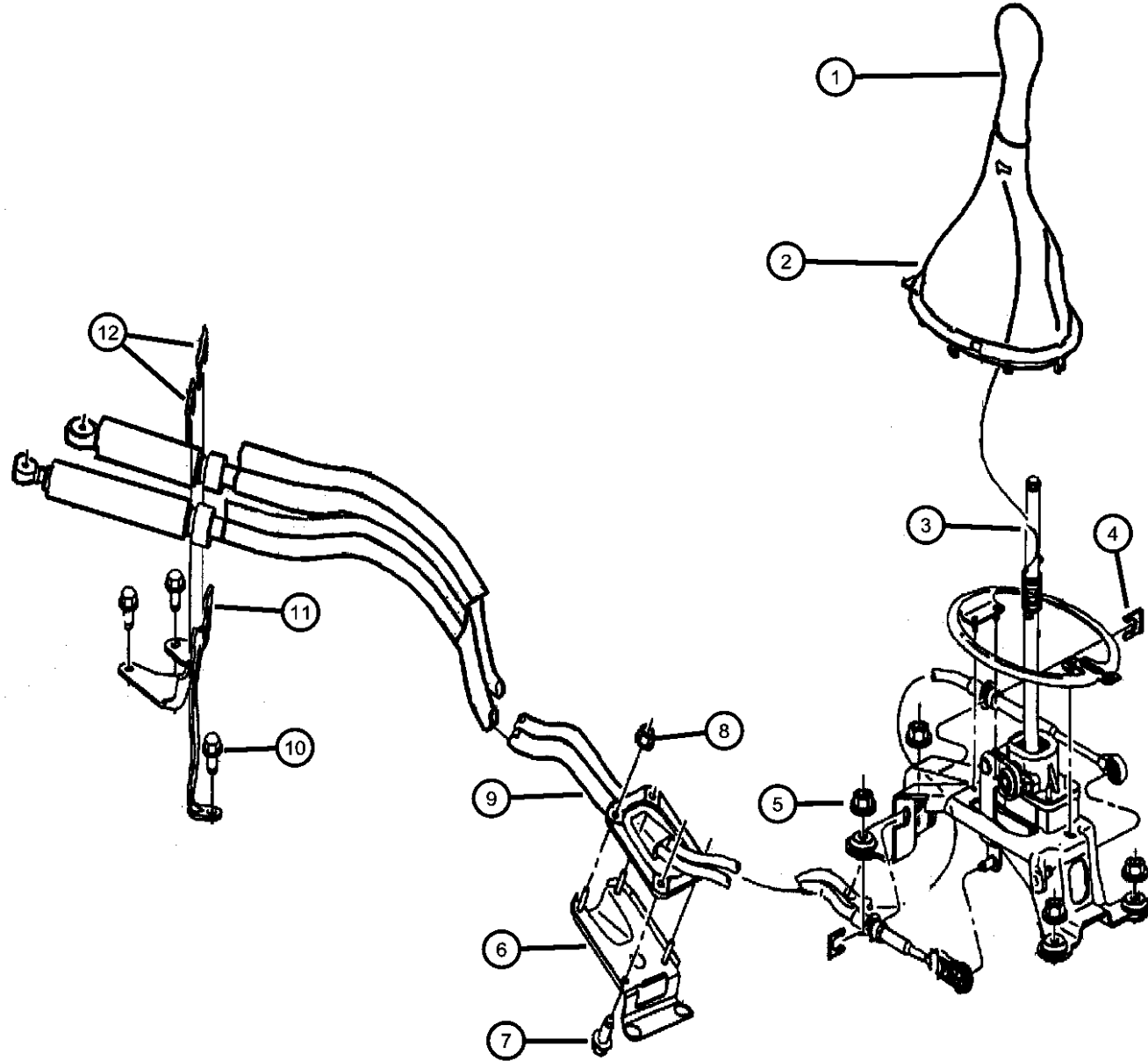
2001 PT

Gearshift Controls Figure T350-1210

| ITEM | PART NUMBER | QTY | LINE | SERIES | BODY | ENGINE | TRANS | TRIM | DESCRIPTION |
|------|-------------|-----|------|--------|------|--------|-------|------|-------------|
|------|-------------|-----|------|--------|------|--------|-------|------|-------------|

NOTE:
Sales Codes:
DD5 = 5 Spd Manual Trans A578

| | | | | | | | | | |
|----|------------|---|------|--|--|--|-----|--|---|
| 1 | 0TL60MF1AA | 1 | | | | | DD5 | | KNOB, Gearshift, Lt. Neutral |
| 2 | 0TM131L8AA | 1 | | | | | DD5 | | BOOT, Gearshift |
| 3 | 04668427AB | 1 | | | | | DD5 | | SHIFTER, Transmission |
| 4 | 06501326 | 2 | | | | | DD5 | | CLIP, Moulding |
| 5 | 06101695 | 4 | | | | | DD5 | | NUT, Hex Flange Lock, M8x1.25 |
| 6 | 04670042AG | 1 | | | | | | | PLATE, Transmission Shifter |
| 7 | 06034716 | 4 | | | | | | | SCREW AND WASHER, Hex Flange Head, .25-14x.875 |
| 8 | 06502843 | 2 | | | | | | | NUT AND WASHER, Hex Nut-Coned Washer, M6 x 1.00 |
| 9 | 04668268 | 1 | C, Z | | | | DD5 | | CABLE, Gearshift Control |
| 10 | 06101611 | 3 | | | | | DD5 | | SCREW AND WASHER, Hex Head, M8x1.25x25 |
| 11 | 04668315 | 1 | C, Z | | | | DD5 | | BRACKET, Transmission Control Cable |
| 12 | 04269830 | 2 | | | | | DD5 | | CLIP, Cable |



PT CRUISER (PT)

| | | |
|--------------|---|----------------|
| SERIES | LINE | BODY |
| H = HIGHLINE | Z = CHRYSLER (RHD) C = CHRYSLER, LHD | 44 = Four Door |

BODY
44 = Four Door

| | |
|---|---|
| ENGINE | TRANSMISSION |
| ECC = ENGINE - 2.0L 4 CYL DOHC 16V SMPI | DGL = TRANSMISSION - 4-SPD. AUTOMATIC, 41TE |
| EDZ = ENGINE - 2.4L 4 CYL DOHC 16V SMPI | DD5 = TRANSMISSION - 5-SPEED MANUAL |
| | DDO = All Manual Transmissions |
| | DGO = All Automatics |

Group - 21P

Speedometer Pinions

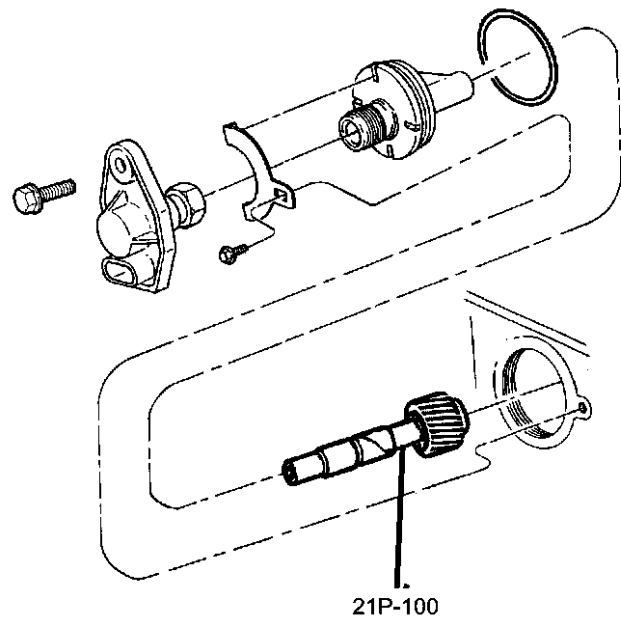
Group - 21P Speedometer Pinions

Group-Fig. No.

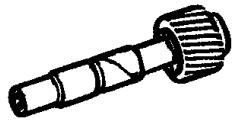
Illustration Title

Speedometer Pinions

Pinion, Speedometer..... Fig. 21P - 110



21P-100
Speedometer Pinions

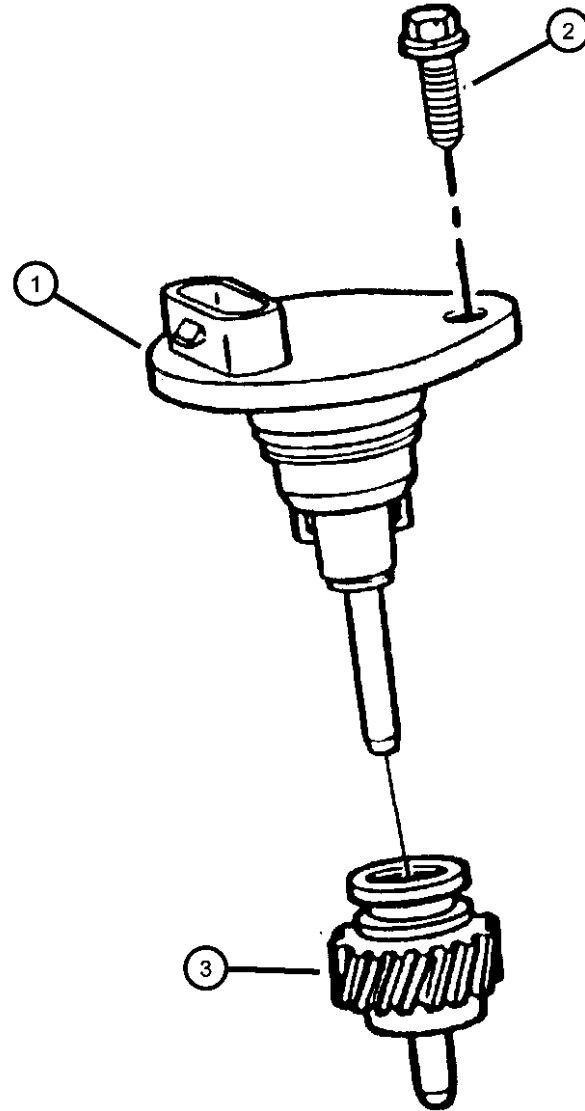


**Pinion, Speedometer
Figure 21P-110**

| ITEM | PART NUMBER | QTY | LINE | SERIES | BODY | ENGINE | TRANS | TRIM | DESCRIPTION |
|------|-------------|-----|------|--------|------|--------|-------|------|-------------|
|------|-------------|-----|------|--------|------|--------|-------|------|-------------|

NOTE:
SALES CODES:
DD5 = 5 Spd Manual Trans A578

| | | | | | | | | | |
|---|------------|---|---|--|--|--|-----|--|-------------------------------------|
| 1 | 04707839AA | 1 | C | | | | DD5 | | SENSOR, Vehicle Speed |
| 2 | 06501714 | 1 | | | | | DD5 | | SCREW AND WASHER, Hex Head, M6x1x18 |
| 3 | 04670082 | 1 | | | | | DD5 | | PINION, Speedometer Drive, Red |



PT CRUISER (PT)

| | | | | |
|--------------|---|----------------|--|--|
| SERIES | LINE | BODY | ENGINE | TRANSMISSION |
| H = HIGHLINE | Z = CHRYSLER (RHD) C = CHRYSLER, LHD | 44 = Four Door | ECC = ENGINE - 2.0L 4 CYL DOHC 16V SMPI EDZ = ENGINE - 2.4L 4 CYL DOHC 16V SMPI | DGL = TRANSMISSION - 4-SPD. AUTOMATIC, 41TE DD5 = TRANSMISSION - 5-SPEED MANUAL DDO = All Manual Transmissions DGO = All Automatics |

AR = use ase required - = Non illustrated part

2001 PT

Group - 22

Wheels, Covers and Jacks

Group - 22 Wheels, Covers and Jacks

Illustration Title

Group-Fig. No.

Wheels and Hardware

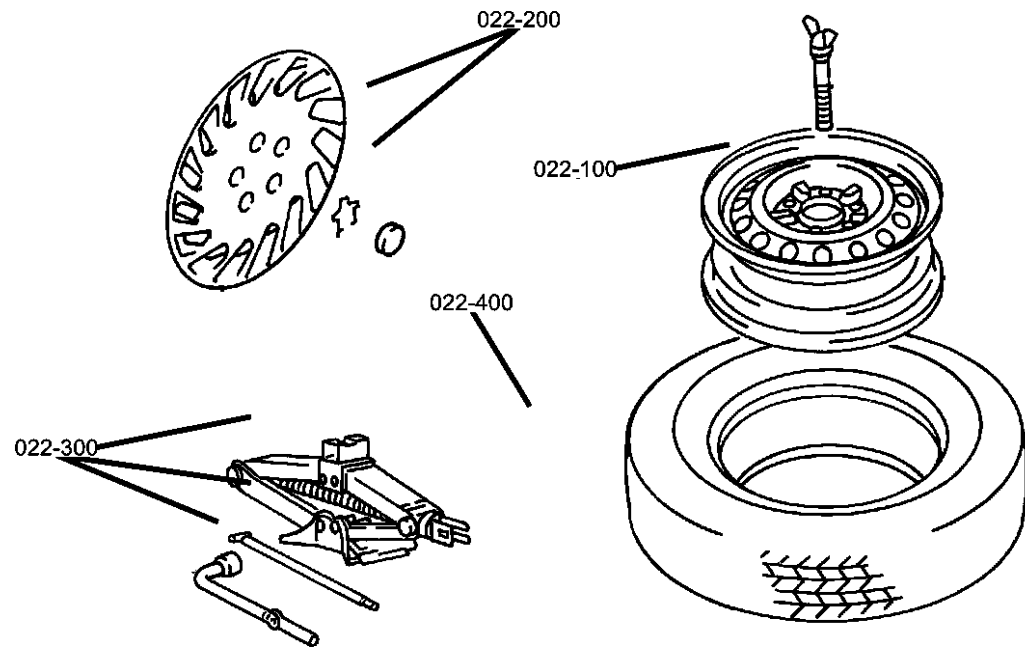
Wheels and Related Parts.....Fig. 22 - 110

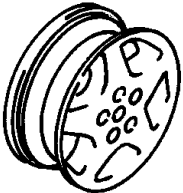
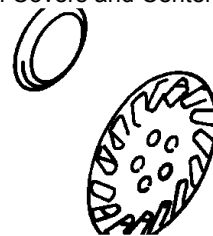
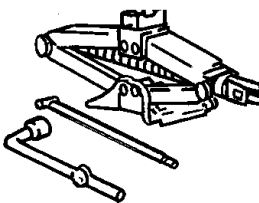
Wheel Covers and Center Caps

Covers, Wheel.....Fig. 22 - 210

Jack Stowage

Jack and Spare Tire Stowage.....Fig. 22 - 310

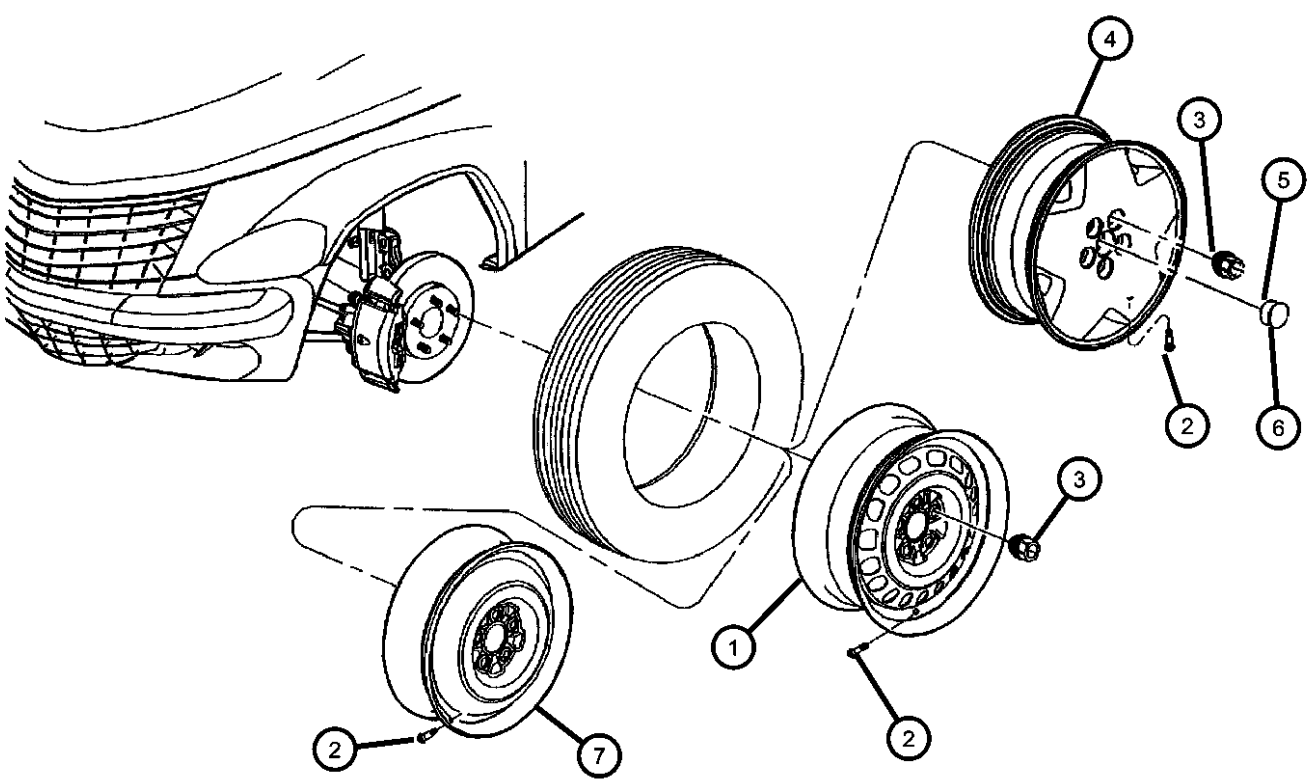


| | | | |
|---|--|---|--|
| <p>022-100 Wheels and Hardware</p>  | <p>022-200 Wheel Covers and Center Caps</p>  | <p>022-300 Jack Stowage</p>  | |
|---|--|---|--|

Wheels and Related Parts
Figure 22-110

| ITEM | PART NUMBER | QTY | LINE | SERIES | BODY | ENGINE | TRANS | TRIM | DESCRIPTION |
|------|-------------|-----|------|--------|------|--------|-------|------|-------------|
|------|-------------|-----|------|--------|------|--------|-------|------|-------------|

NOTE:
Sales Codes:
WCF = 15 x 6.0 Black
WD6=16 inch Aluminum - Chrome
WNX = 16 inch Aluminum - Painted
WNE = 16 inch Aluminum - Chrome



| | | | | | | | | | |
|---|------------|----|--|--|--|--|--|--|---|
| 1 | 04656426AA | 4 | | | | | | | WHEEL, Steel, [WCF] 15 x 6 |
| 2 | 02073355 | 5 | | | | | | | STEM, Wheel Valve |
| 3 | | | | | | | | | NUT, Wheel Chrome, M12x1.5 |
| | 06502738 | 20 | | | | | | | [WNX,WNE,WD6] |
| | 06504266 | 20 | | | | | | | [WCF] |
| 4 | | | | | | | | | WHEEL, Aluminum |
| | 04656674AA | 4 | | | | | | | [WNE] 16x 6 Chrome |
| | 05272910AA | 4 | | | | | | | [WD6] |
| | 0RL26PAKAA | 4 | | | | | | | [WNX] 16 x 6 |
| 5 | 04656675AA | 4 | | | | | | | CAP, Wheel Center, [WNE,WD6] Chrome |
| 6 | 0SE30PAKAA | 4 | | | | | | | CAP, Wheel Center, Machine Finish Aluminum, [WNX] |
| 7 | 04656610AA | 1 | | | | | | | WHEEL, Aluminum, Spare, Compact Spare 15 x 4 |

PT CRUISER (PT)

| | | | | |
|--------------|---|----------------|--|---|
| SERIES | LINE | BODY | ENGINE | TRANSMISSION |
| H = HIGHLINE | Z = CHRYSLER (RHD) C = CHRYSLER, LHD | 44 = Four Door | ECC = ENGINE - 2.0L 4 CYL DOHC 16V SMPI EDZ = ENGINE - 2.4L 4 CYL DOHC 16V SMPI | DGL = TRANSMISSION - 4-SPD. AUTOMATIC,41TE DD5 = TRANSMISSION - 5-SPEED MANUAL DDO = All Manual Transmissions DGO = All Automatics |

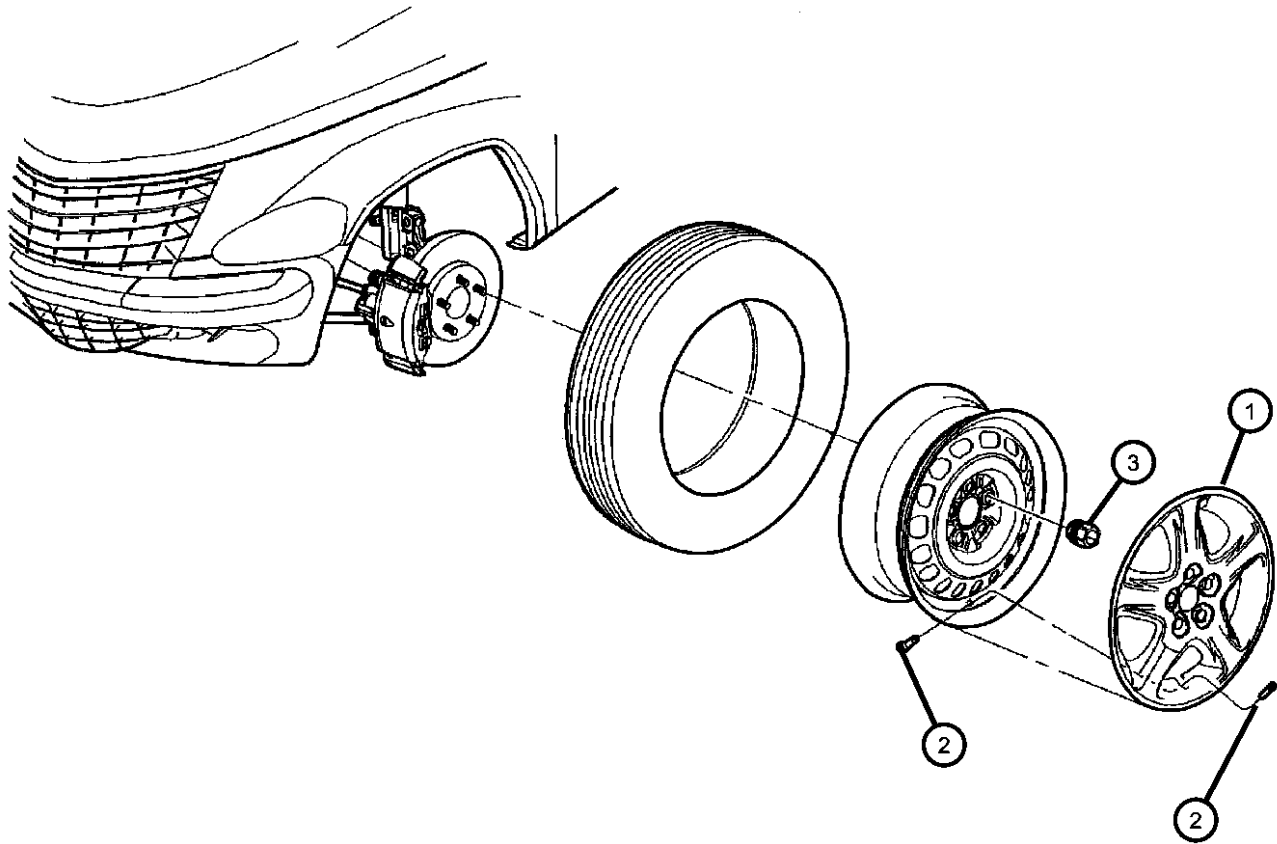
AR = use ase required - = Non illustrated part

**Covers, Wheel
Figure 22-210**

| ITEM | PART NUMBER | QTY | LINE | SERIES | BODY | ENGINE | TRANS | TRIM | DESCRIPTION |
|------|-------------|-----|------|--------|------|--------|-------|------|-------------|
|------|-------------|-----|------|--------|------|--------|-------|------|-------------|

NOTE:
Sales Code
W5F = 15 inch Bolt-On

| | | | | | | | | | |
|---|------------|----|--|--|--|--|--|--|---------------------|
| 1 | 04656424AC | 4 | | | | | | | COVER, Wheel, [W5F] |
| 2 | 02073355 | 5 | | | | | | | STEM, Wheel Valve |
| 3 | 06504266 | 20 | | | | | | | NUT, Wheel |



PT CRUISER (PT)

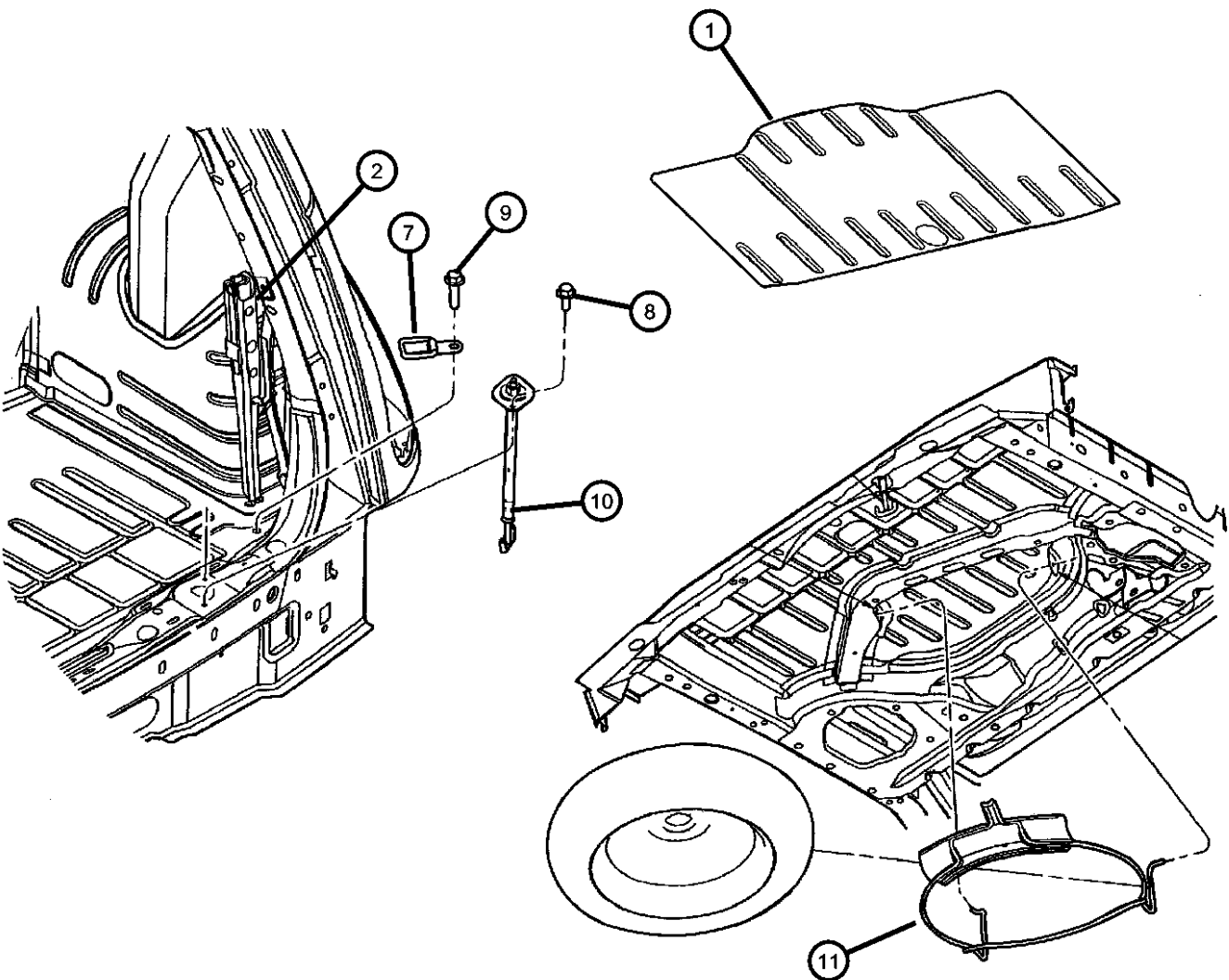
| | | | | |
|--------------|---|----------------|--|--|
| SERIES | LINE | BODY | ENGINE | TRANSMISSION |
| H = HIGHLINE | Z = CHRYSLER (RHD) C = CHRYSLER, LHD | 44 = Four Door | ECC = ENGINE - 2.0L 4 CYL DOHC 16V SMPI EDZ = ENGINE - 2.4L 4 CYL DOHC 16V SMPI | DGL = TRANSMISSION - 4-SPD. AUTOMATIC, 41TE DD5 = TRANSMISSION - 5-SPEED MANUAL DDO = All Manual Transmissions DGO = All Automatics |

AR = use ase required - = Non illustrated part

2001 PT

Jack and Spare Tire Stowage
Figure 22-310

| ITEM | PART NUMBER | QTY | LINE | SERIES | BODY | ENGINE | TRANS | TRIM | DESCRIPTION |
|------|-------------|-----|------|--------|------|--------|-------|------|---|
| 1 | 04740136 | AR | | | | | | | SILENCER, Floor Pan |
| 2 | 05008275AA | 1 | | | | | | | JACK |
| -3 | 05008276AA | 1 | | | | | | | HANDLE, Jack |
| -4 | 04724574AA | 1 | | | | | | | TIE DOWN, Cargo |
| -5 | | | | | | | | | BAG, Jack Tool Storage |
| | 05027595AA | 1 | | | | | | | with Tow Hooks |
| | 05027596AA | 1 | | | | | | | HOOK, Tow |
| -6 | | | | | | | | | Front |
| | 05027022AA | 1 | | | | | | | EXPORT, Rear |
| | 05257965AA | 1 | | | | | | | LOOP, Cargo Tie Down |
| 7 | 05027006AA | 2 | | | | | | | SCREW, Hex Flange Head, M6.3 x 1.81 x 15.00 |
| 8 | 06102050AA | 2 | | | | | | | SCREW, M6x1x34 |
| 9 | 06505809AA | 2 | | | | | | | HOOK, Spare Tire Attach |
| 10 | 05027000AA | 1 | | | | | | | RETAINER, Rear Floor Pan Spare Tire |
| 11 | | | | | | | | | Up to 3-6-01 |
| | 04724998AB | 1 | | | | | | | After 3-6-01 |
| | 04724998AC | 1 | | | | | | | LABEL, Tire Storage, EUROPE |
| -12 | 04472491 | 1 | | | | | | | LABEL, Lift Point, Jacking |
| -13 | 05256594AB | 1 | | | | | | | |



PT CRUISER (PT)

| | | | | |
|--------------|---|----------------|--|--|
| SERIES | LINE | BODY | ENGINE | TRANSMISSION |
| H = HIGHLINE | Z = CHRYSLER (RHD) C = CHRYSLER, LHD | 44 = Four Door | ECC = ENGINE - 2.0L 4 CYL DOHC 16V SMPI EDZ = ENGINE - 2.4L 4 CYL DOHC 16V SMPI | DGL = TRANSMISSION - 4-SPD. AUTOMATIC, 41TE DD5 = TRANSMISSION - 5-SPEED MANUAL DDO = All Manual Transmissions DGO = All Automatics |

AR = use ase required - = Non illustrated part

Group - 23D

Wiper/Lock Cylinder and Keys

Group - 23D Wiper/Lock Cylinder and Keys

Illustration Title

Group-Fig. No.

Lock Cylinders and Keys

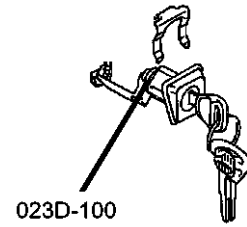
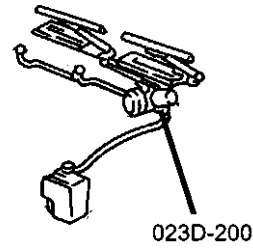
Lock Cylinders and KeysFig. 23D - 105

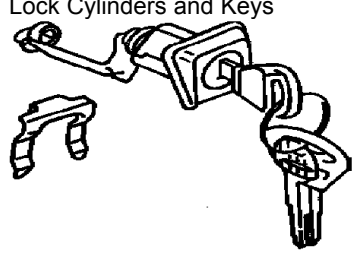
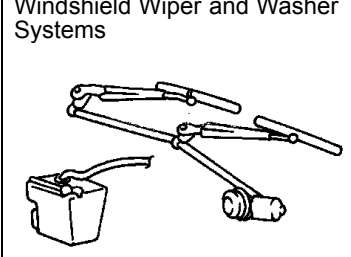
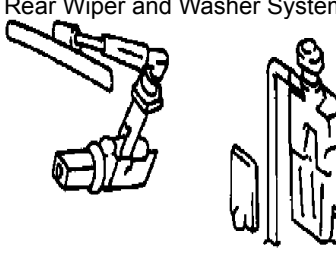
Windshield Wiper and Washer Systems

Windshield Wiper and Washer System.....Fig. 23D - 205

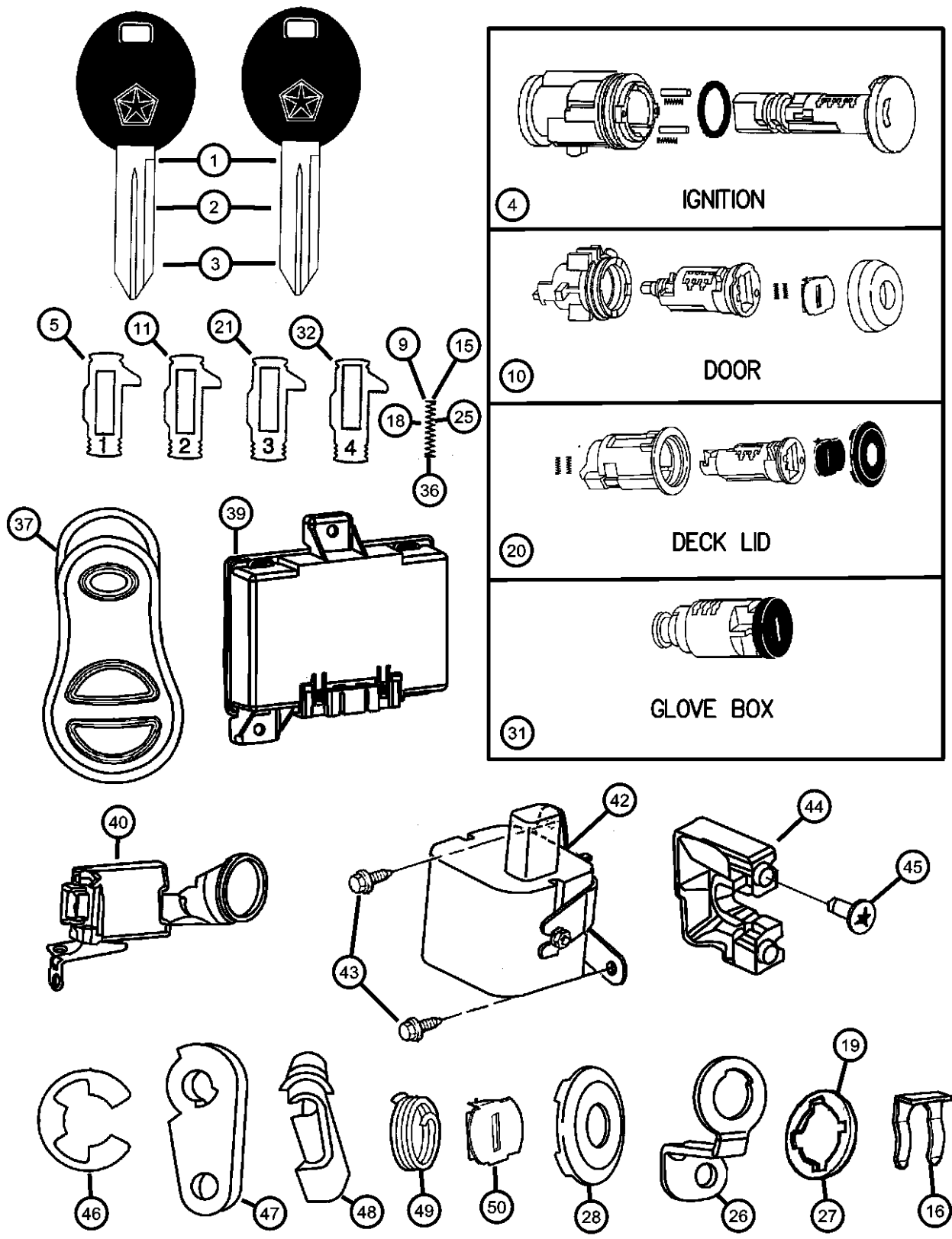
Rear Wiper and Washer System

Rear Wiper and WasherFig. 23D - 305



| | | | |
|--|---|---|--|
| <p>23D-100 Lock Cylinders and Keys</p>  | <p>23D-200 Windshield Wiper and Washer Systems</p>  | <p>23D-300 Rear Wiper and Washer System</p>  | |
|--|---|---|--|

Lock Cylinders and Keys
Figure 23D-105

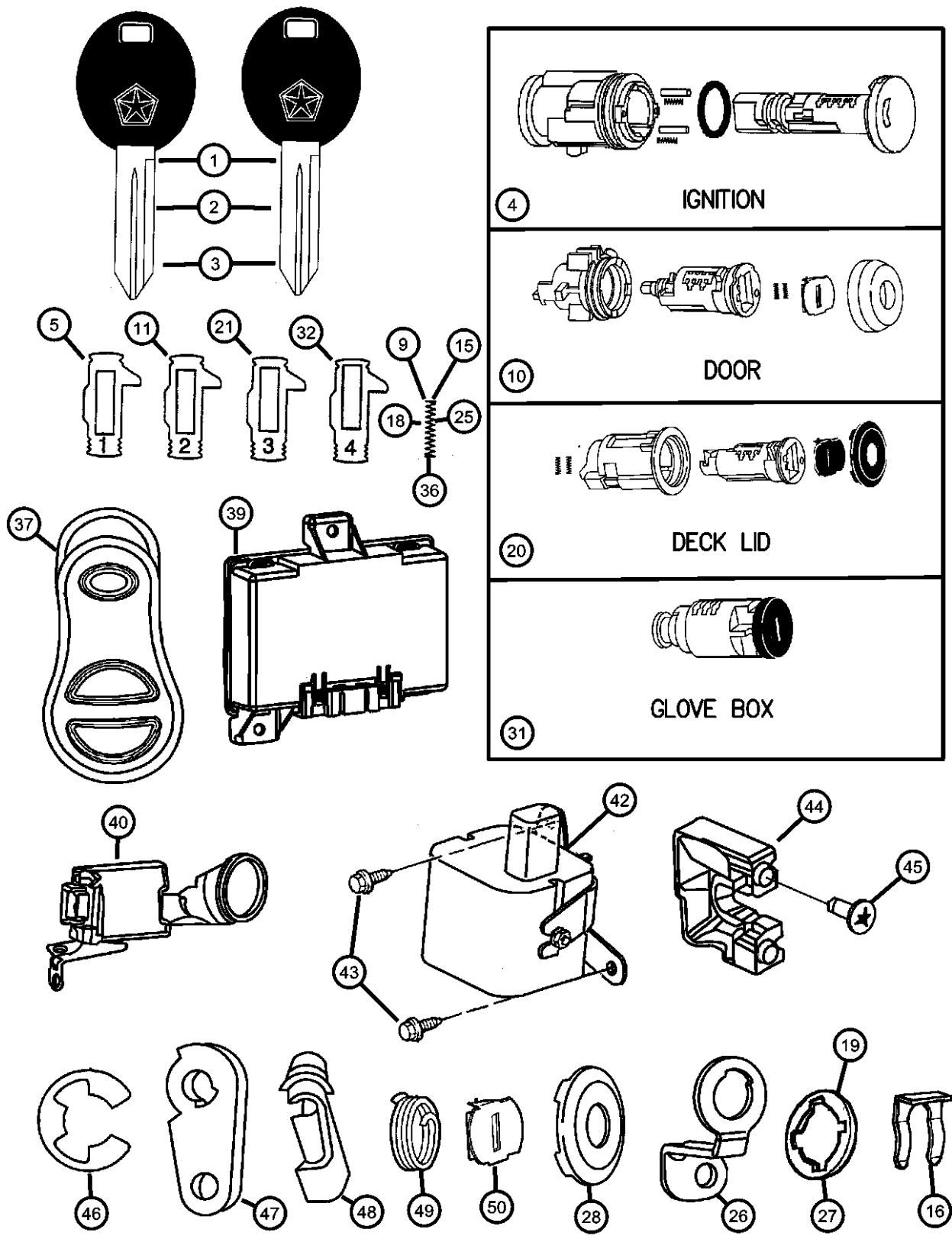


| ITEM | PART NUMBER | QTY | LINE | SERIES | BODY | ENGINE | TRANS | TRIM | DESCRIPTION |
|------|-------------|-----|------|--------|------|--------|-------|------|---|
| 1 | | | | | | | | | KEY, Blank |
| | 05018868AA | 2 | | | | | | | w/o Sentry after 3/13/00 |
| | 05018869AA | 2 | | | | | | | w/Sentry after 3/13/00 |
| 2 | 04778115 | 2 | | | | | | | KEY, Blank, 84 Groove, up to 3/13/00 |
| 3 | 05010366AA | 2 | | | | | | | KEY, Master, w/Sentry up to 3/13/00 |
| 4 | 05003843AA | 1 | | | | | | | CYLINDER, Ignition Lock |
| 5 | 05010879AA | 1 | | | | | | | TUMBLER, Ignition Number 1, Sidebar |
| -6 | 05010880AA | 1 | | | | | | | TUMBLER, Ignition Number 2, Sidebar |
| -7 | 05010881AA | 1 | | | | | | | TUMBLER, Ignition Number 3, Sidebar |
| -8 | 05010882AA | 1 | | | | | | | TUMBLER, Ignition Number 4, Sidebar |
| 9 | 05010883AA | 1 | | | | | | | SPRING, Ignition Tumbler, Sidebar |
| 10 | 04864651 | 1 | | | | | | | CYLINDER, Door Lock |
| 11 | 04778117 | 1 | | | | | | | TUMBLER, Door and Deck Number 1, Wide |
| -12 | 04778118 | 1 | | | | | | | TUMBLER, Door and Deck Number 2, Wide |
| -13 | 04778119 | 1 | | | | | | | TUMBLER, Door and Deck Number 3, Wide |
| -14 | 04778120 | 1 | | | | | | | TUMBLER, Door and Deck Number 4, Wide |
| 15 | 04778121 | 1 | | | | | | | SPRING, Door and Deck Tumbler |
| 16 | 02583377 | 1 | | | | | | | RETAINER, Door Lock Cylinder, Also Liftgate Cylinder |
| -17 | 05016731AA | 1 | | | | | | | CAP, Door Lock Cylinder |
| 18 | 04746873 | 1 | | | | | | | SPRING, Lock Cylinder Tumbler, Also for Locking Fuel Filler Cap |
| 19 | 55295864 | 2 | | | | | | | GASKET, Door Lock Cylinder, Black |
| 20 | 05016732AA | 1 | | | | | | | CYLINDER, Deck Lid LockLiftgate |
| 21 | 04778117 | 1 | | | | | | | TUMBLER, Door and Deck Number 1, Wide, Also Liftgate |
| -22 | 04778118 | 1 | | | | | | | TUMBLER, Door and Deck Number 2, Wide, Also Liftgate |
| -23 | 04778119 | 1 | | | | | | | TUMBLER, Door and Deck Number 3, Wide, Also Liftgate |
| -24 | 04778120 | 1 | | | | | | | TUMBLER, Door and Deck Number 4, Wide, Also Liftgate |

PT CRUISER (PT)
 SERIES LINE BODY ENGINE TRANSMISSION
 H = HIGHLINE Z = CHRYSLER (RHD) 44 = Four Door ECC = ENGINE - 2.0L 4 CYL DOHC 16V SMPI DGL = TRANSMISSION - 4-SPD. AUTOMATIC, 41TE
 C = CHRYSLER, LHD EDZ = ENGINE - 2.4L 4 CYL DOHC 16V SMPI MANUAL DD5 = TRANSMISSION - 5-SPEED MANUAL
 DDO = All Manual Transmissions
 DGO = All Automatics

AR = use ase required - = Non illustrated part

Lock Cylinders and Keys
Figure 23D-105

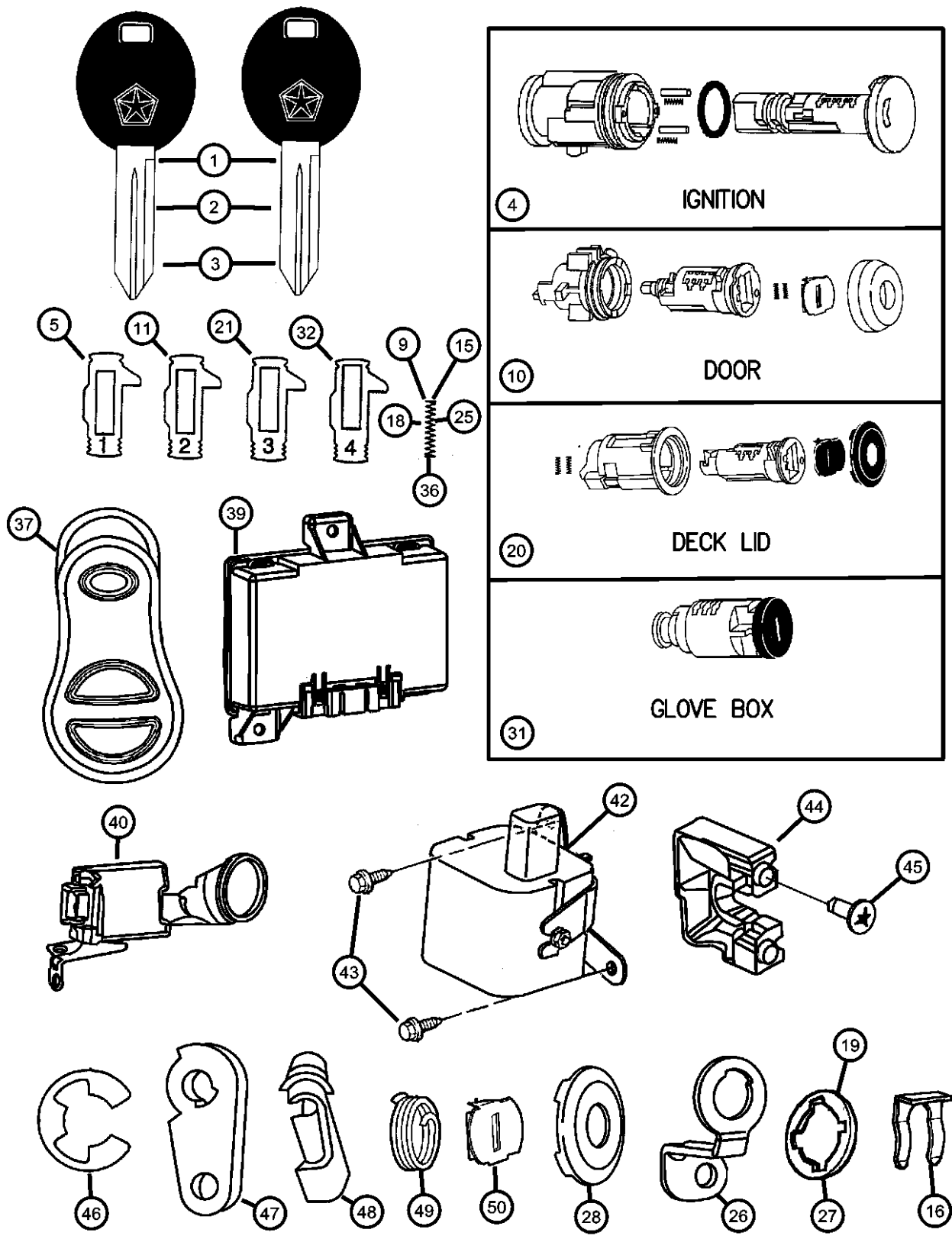


| ITEM | PART NUMBER | QTY | LINE | SERIES | BODY | ENGINE | TRANS | TRIM | DESCRIPTION |
|------|-------------|-----|------|--------|------|--------|-------|------|---|
| 25 | 04778121 | 1 | | | | | | | SPRING, Door and Deck Tumbler, Also Liftgate |
| 26 | 05027526AA | 1 | | | | | | | LEVER, Liftgate Lock Cylinder |
| 27 | 05027905AA | 1 | | | | | | | GASKET, Lock Cylinder, Not Door, Liftgate Only |
| 28 | 05257152 | 1 | | | | | | | CAP, Door Lock Cylinder, Bright, Not Door Lock, Liftgate Only |
| -29 | 05027801AA | 1 | | | | | | | BRACKET, Security, Liftgate Key Cylinder to Control Assenbly |
| -30 | 06100274 | 1 | | | | | | | BOLT AND CONED WASHER, Hex Head, M6x14x14, Liftgate Key Cylinder Bracket to Control Arm |
| 31 | 04778448 | 1 | | | | | | | CYLINDER, Glove Box Lock |
| 32 | 05257132 | 1 | | | | | | | TUMBLER, Ignition Number 1, Not Ignition, Glove Box, Locking Fuel Filler Cap Only |
| -33 | 05257133 | 1 | | | | | | | TUMBLER, Ignition Number 2, Not Ignition, Glove Box, Locking Fuel Filler Cap Only |
| -34 | 05257134 | 1 | | | | | | | TUMBLER, Ignition Number 3, Not Ignition, Glove Box, Locking Fuel Filler Cap Only |
| -35 | 05257135 | 1 | | | | | | | TUMBLER, Ignition Number 4, Not Ignition, Glove Box, Locking Fuel Filler Cap Only |
| 36 | 04778121 | 1 | | | | | | | SPRING, Door and Deck Tumbler, Also Glove Box |
| 37 | | | | | | | | | TRANSMITTER, Keyless Entry |
| | 04671641AB | 2 | | | | | | | [GXR] |
| | 04671642AB | 2 | | | | | | | [GXP], Export |
| | 04686484AA | 2 | Z | | | | | | [GXN], Export |
| -38 | | | | | | | | | BATTERY, Transmitter |
| | 83504802 | 2 | | | | | | | |
| | | 2 | Z | | | | | | |
| 39 | | | | | | | | | RECEIVER, Keyless Entry |
| | 05293040AI | 1 | | | | | | | |
| | 05293043AI | 1 | | | | | | | Export |
| | 05293045AH | 1 | | | | | | | Right Hand Drive |
| 40 | 04671676AD | 1 | | | | | | | MODULE, Immobilizer |
| -41 | 00154844 | 2 | | | | | | | SCREW, Tapping, Smart Key Immobilizer Module Mounting |

PT CRUISER (PT)
 SERIES LINE BODY ENGINE TRANSMISSION
 H = HIGHLINE Z = CHRYSLER (RHD) 44 = Four Door ECC = ENGINE - 2.0L 4 CYL DOHC 16V SMPI DGL = TRANSMISSION - 4-SPD. AUTOMATIC, 41TE
 C = CHRYSLER, LHD EDZ = ENGINE - 2.4L 4 CYL DOHC 16V SMPI DDO = All Manual Transmissions DGO = All Automatics

AR = use ase required - = Non illustrated part

Lock Cylinders and Keys
Figure 23D-105

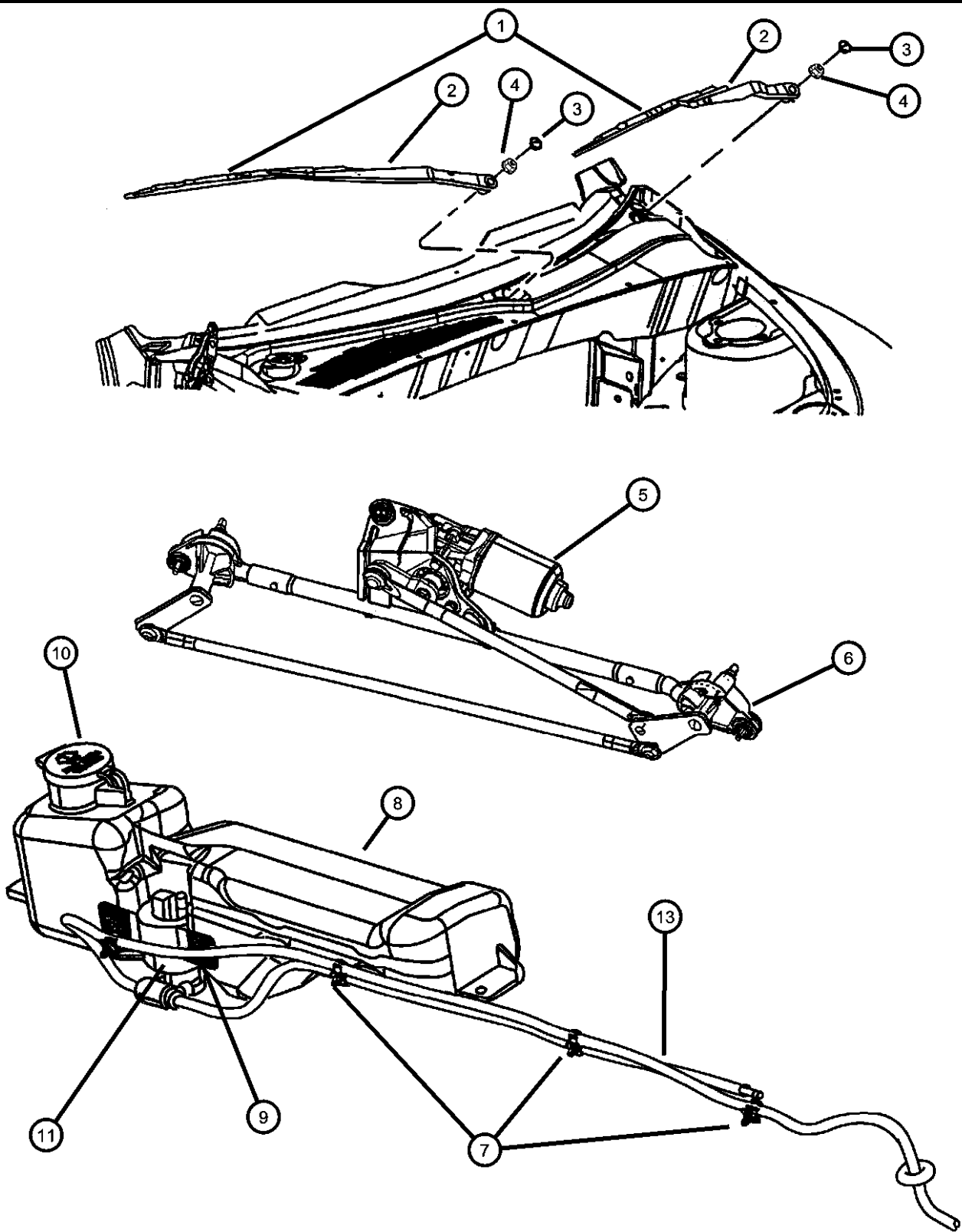


| ITEM | PART NUMBER | QTY | LINE | SERIES | BODY | ENGINE | TRANS | TRIM | DESCRIPTION |
|------|-------------|-----|------|--------|------|--------|-------|------|---|
| 42 | 04671743AA | 1 | | | | | | | SIREN, AlarmExport |
| 43 | 06102132AA | 2 | | | | | | | SCREW, Hex Head, M6x1x20, Siren Mounting |
| 44 | | | | | | | | | RETAINER, Door Lock Cylinder |
| | 04724910AA | 1 | | | | | | | Right |
| | 04724911AA | 1 | | | | | | | Left |
| 45 | 06035479 | 4 | | | | | | | SCREW AND WASHER, Door Lock Retainer Mounting |
| 46 | 06026125 | 1 | | | | | | | CLIP, Retainer, E-Type |
| 47 | 04717288 | 1 | | | | | | | LEVER, Front Door Cylinder |
| 48 | | | | | | | | | CLIP, Latch |
| | 04658444 | 1 | | | | | | | [Purple] Lock Cylinder to Latch |
| | 04658445 | 1 | | | | | | | [Orange] Lock cylinder to Latch |
| 49 | 04378793 | 1 | | | | | | | SPRING, Cylinder Return |
| 50 | 04778150 | 1 | | | | | | | SHUTTER, Door, Deck and Liftgate, Bright |

PT CRUISER (PT)
 SERIES LINE BODY ENGINE TRANSMISSION
 H = HIGHLINE Z = CHRYSLER (RHD) 44 = Four Door ECC = ENGINE - 2.0L 4 CYL DOHC 16V SMPI DGL = TRANSMISSION - 4-SPD. AUTOMATIC, 41TE
 C = CHRYSLER, LHD EDZ = ENGINE - 2.4L 4 CYL DOHC 16V SMPI DD5 = TRANSMISSION - 5-SPEED MANUAL
 DDO = All Manual Transmissions
 DGO = All Automatics

AR = use ase required - = Non illustrated part

**Windshield Wiper and Washer System
Figure 23D-205**



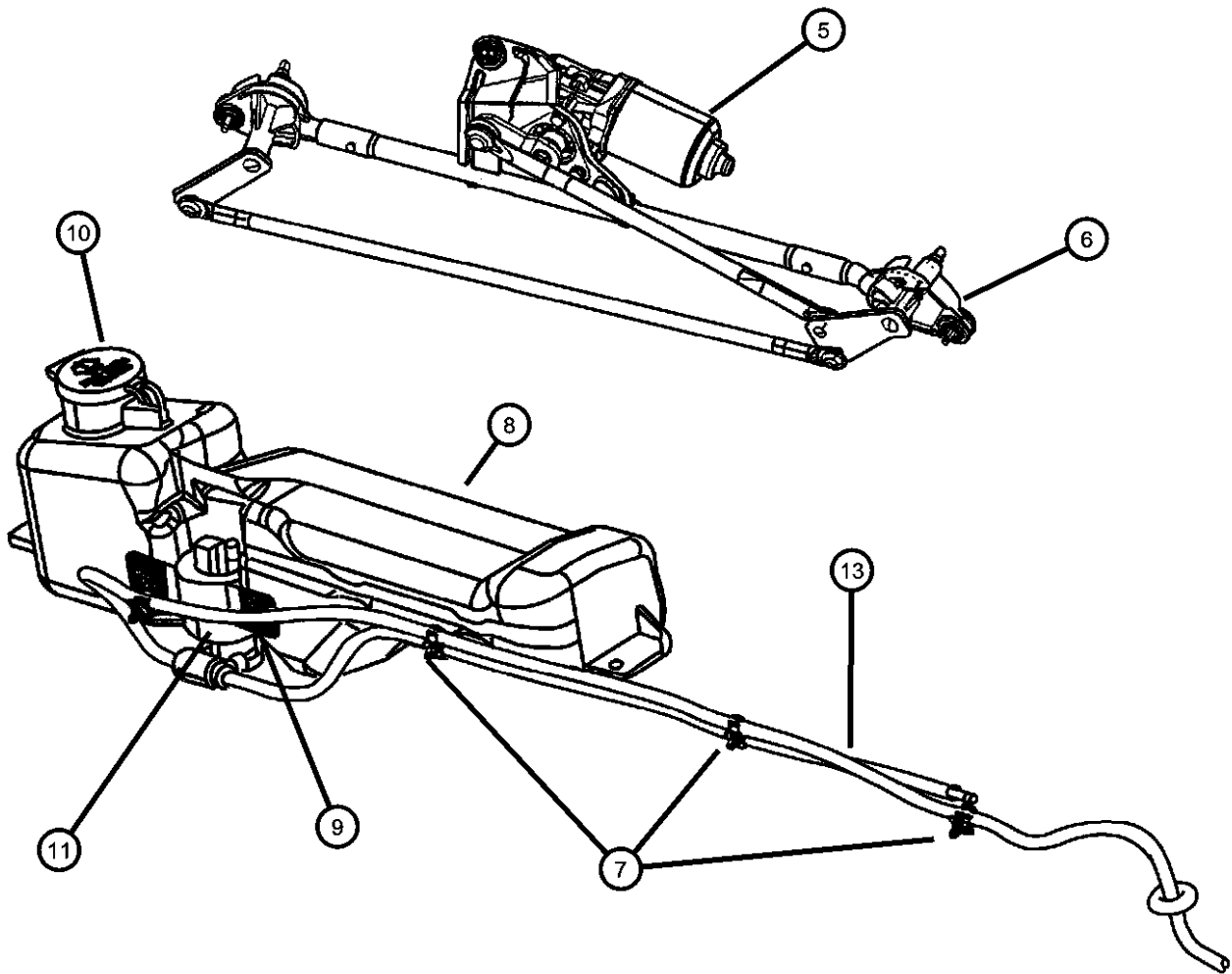
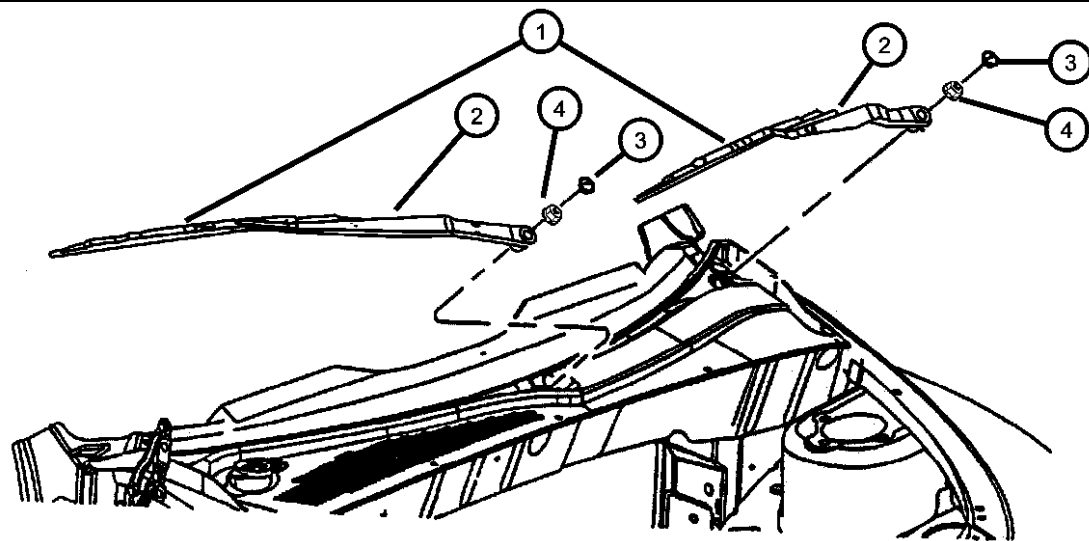
| ITEM | PART NUMBER | QTY | LINE | SERIES | BODY | ENGINE | TRANS | TRIM | DESCRIPTION |
|------|-------------|-----|------|--------|------|--------|-------|--------------------|--|
| 1 | 05018430AA | 1 | C | | | | | | BLADE, Wiper Right |
| | WBFLAT04AA | | | | | | | | Mopar Alternative Flat Blade Set |
| | WBW00021AD | | | | | | | | Mopar Alternative Winter Wiper Blades |
| | WB000021AE | | | | | | | | Mopar V-Line Alternative Part |
| | 05018431AA | 1 | C | | | | | | Left |
| | WBFLAT04AA | | | | | | | | Mopar Alternative Flat Blade Set |
| | WBW00020AD | | | | | | | | Mopar Alternative Winter Wiper Blades |
| | WB000020AE | | | | | | | | Mopar V-Line Alternative Part |
| | 05018432AA | 1 | Z | | | | | | Right, Export |
| | WBFLAT04AA | | | | | | | | Mopar Alternative Flat Blade Set |
| 2 | 05018433AA | 1 | Z | | | | | | Left, Export |
| | WBFLAT04AA | | | | | | | | Mopar Alternative Flat Blade Set |
| | 05018426AA | 1 | C | | | | | | ARM, Wiper Right |
| | 05018427AA | 1 | C | | | | | | Left |
| 3 | 05018428AA | 1 | Z | | | | | | Right, Export |
| | 05018429AA | 1 | Z | | | | | | Left, Export |
| 4 | 04389440 | 2 | | | | | | CAP, Wiper Arm Nut | |
| 5 | 06500165 | 2 | | | | | | NUT, Wiper Arm | |
| 6 | 05018450AA | 1 | C | | | | | | MOTOR, Wiper |
| | 05018452AA | 1 | Z | | | | | | |
| 7 | 05018451AA | 1 | C | | | | | | LINKAGE, Wiper Arm |
| | 05018453AA | 1 | Z | | | | | | |
| 8 | 05018130AA | 1 | C | | | | | | STRAP, Retaining |
| | | 1 | Z | | | | | | |
| 9 | 05018059AA | 1 | C | | | | | | RESERVOIR, Washer |
| | | 1 | Z | | | | | | |

PT CRUISER (PT)

| | | | | |
|--------------|---|----------------|--|--|
| SERIES | LINE | BODY | ENGINE | TRANSMISSION |
| H = HIGHLINE | Z = CHRYSLER (RHD) C = CHRYSLER, LHD | 44 = Four Door | ECC = ENGINE - 2.0L 4 CYL DOHC 16V SMPI EDZ = ENGINE - 2.4L 4 CYL DOHC 16V SMPI | DGL = TRANSMISSION - 4-SPD. AUTOMATIC, 41TE DD5 = TRANSMISSION - 5-SPEED MANUAL DDO = All Manual Transmissions DGO = All Automatics |

AR = use ase required - = Non illustrated part

**Windshield Wiper and Washer System
Figure 23D-205**



| ITEM | PART NUMBER | QTY | LINE | SERIES | BODY | ENGINE | TRANS | TRIM | DESCRIPTION |
|------|-------------|-----|------|--------|------|--------|-------|------|--|
| 9 | 05011809AA | 1 | C | | | | | | GROMMET, Windshield Washer Pump, also serviced with pump and reservoir |
| 10 | | | | | | | | | CAP, Washer Reservoir |
| | 05018128AA | 1 | C | | | | | | |
| | | 1 | Z | | | | | | |
| 11 | | | | | | | | | PUMP, Washer, Windshield |
| | 05018129AA | 1 | C | | | | | | |
| | 05018129AB | 1 | Z | | | | | | |
| -12 | 06101979 | 3 | | | | | | | SCREW, M6x1x30, Reservoir Mtg |
| 13 | | | | | | | | | HOSE, Windshield Washer |
| | 05018127AA | 1 | | | | | | | Body make up as required to Liftgate [50' Roll] |
| | 05288699AF | 1 | C | | | | | | Hood Harness Assy |
| | 05288702AB | 1 | | | | | | | Reservoir to Dash [For Liftgate], Rear |
| | 05288859AC | 1 | Z | | | | | | Hood Harness Assy, Export |
| -14 | | | | | | | | | NOZZLE, Washer, Windshield |
| | 05288700AC | 2 | C | | | | | | |
| | 05288860AC | 2 | Z | | | | | | |
| -15 | 05288255 | 1 | | | | | | | CLIP, Hood Washer Hose |
| -16 | 05018106AA | 1 | Z | | | | | | CONNECTOR, Washer Hose, Elbow Type |
| -17 | 05018105AA | 1 | Z | | | | | | CONNECTOR, Washer Hose, In Line |

PT CRUISER (PT)

SERIES

H = HIGHLINE

LINE

Z = CHRYSLER (RHD)

C = CHRYSLER, LHD

BODY

44 = Four Door

ENGINE

ECC = ENGINE - 2.0L 4 CYL

DOHC 16V SMPI

EDZ = ENGINE - 2.4L 4 CYL

DOHC 16V SMPI

TRANSMISSION

DGL = TRANSMISSION - 4-SPD.

AUTOMATIC, 41TE

DD5 = TRANSMISSION - 5-SPEED

MANUAL

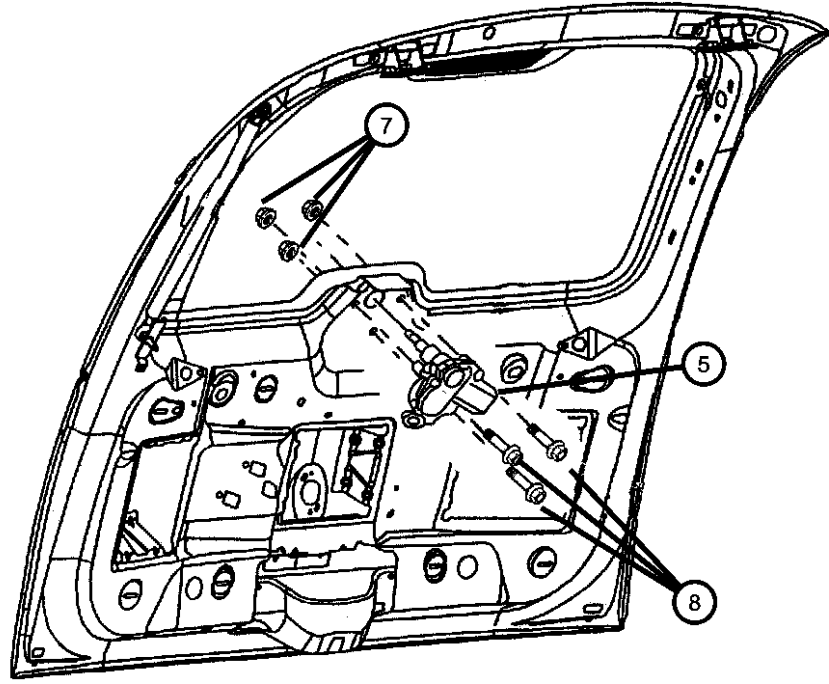
DDO = All Manual Transmissions

DGO = All Automatics

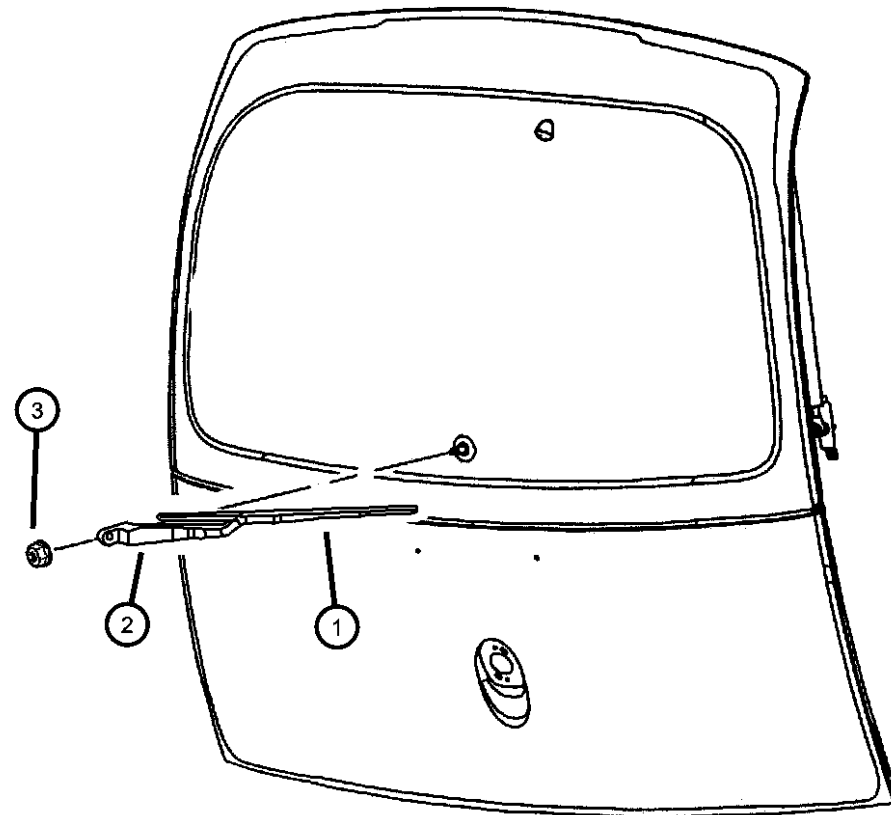
AR = use ase required - = Non illustrated part

2001 PT

Rear Wiper and Washer
Figure 23D-305



| ITEM | PART NUMBER | QTY | LINE | SERIES | BODY | ENGINE | TRANS | TRIM | DESCRIPTION |
|------|--|-----|------|--------|------|--------|-------|------|--|
| 1 | 05018407AA WBW00016AD WB000016AE | 1 | | | | | | | BLADE, Wiper Mopar Alternative Winter Wiper Blades Mopar V-Line Alternative Part |
| 2 | 05018408AA | 1 | | | | | | | ARM, Liftgate Wiper |
| 3 | 06500165 | 1 | | | | | | | NUT, Wiper Arm |
| -4 | 55077097AA | 1 | | | | | | | CAP, Wiper Arm Nut |
| 5 | 05018406AA | 1 | | | | | | | MOTOR PACKAGE, Liftgate wiper, Includes 4 Rubber Nuts |
| -6 | 05027551AA | 1 | | | | | | | GROMMET, Wiper Motor And Bracket |
| 7 | 06503056 | 3 | | | | | | | NUT, Round, M6 x 1.00, Rubber. Motor Mounting |
| 8 | 06502727 | 3 | | | | | | | SCREW, Hex Flange Head, M6x1x60, Motor Mounting |
| -9 | 05303442AB | 1 | | | | | | | NOZZLE, Liftgate Washer |
| -10 | 55154587 | 1 | | | | | | | NUT, Nozzle Mounting |



PT CRUISER (PT)

SERIES LINE
H = HIGHLINE Z = CHRYSLER (RHD)
C = CHRYSLER, LHD

BODY
44 = Four Door

ENGINE TRANSMISSION
ECC = ENGINE - 2.0L 4 CYL DOHC 16V SMPI DGL = TRANSMISSION - 4-SPD. AUTOMATIC, 41TE
EDZ = ENGINE - 2.4L 4 CYL DOHC 16V SMPI DD5 = TRANSMISSION - 5-SPEED MANUAL
DDO = All Manual Transmissions
DGO = All Automatics

AR = use ase required - = Non illustrated part

2001 PT

Group - 24

Air Conditioning & Heater

Group - 24 Air Conditioning & Heater

Illustration Title

Group-Fig. No.

Air Conditioner and Heater Units

Heater Unit.....Fig. 24 - 103
 Air Conditioning and Heater Unit.....Fig. 24 - 110
 Air Conditioning and Heater Unit.....Fig. 24 - 120

Air Conditioner and Heater Plumbing

Plumbing, A/C and Heater.....Fig. 24 - 210
 Plumbing, A/C and Heater.....Fig. 24 - 220

Air Conditioner and Heater Controls

Controls, Air Conditioning and Heater.....Fig. 24 - 302

Air Conditioning Compressor

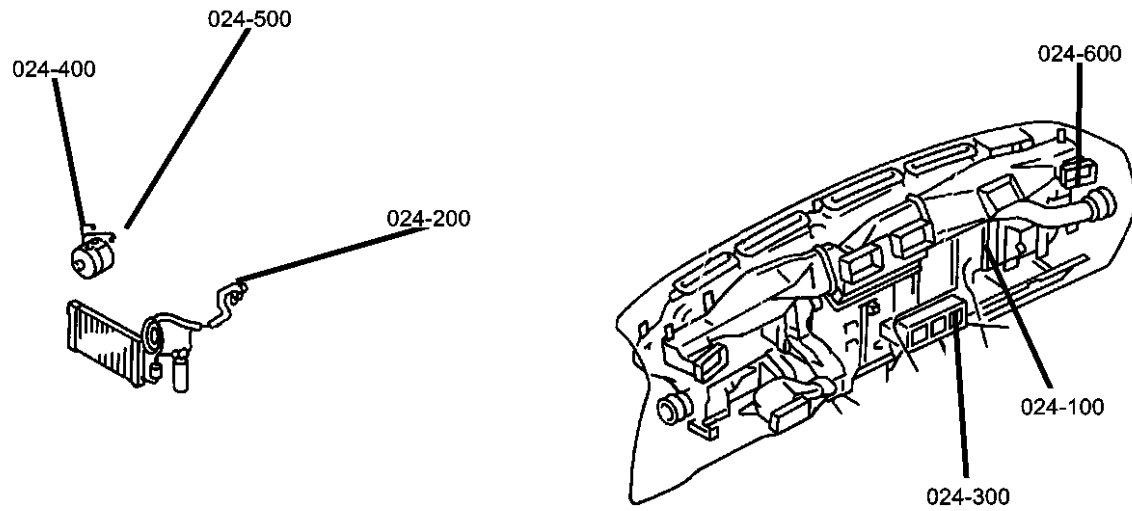
Compressor.....Fig. 24 - 410

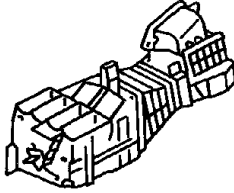
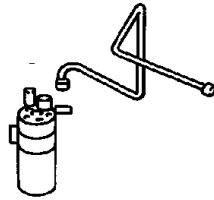
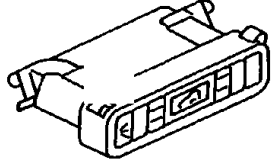
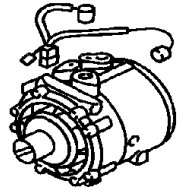
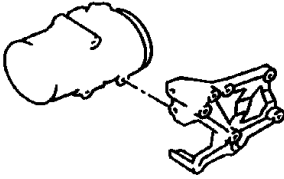
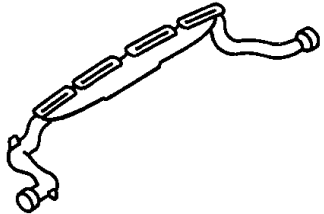
Air Conditioning Compressor Mounting

Compressor Mounting.....Fig. 24 - 510

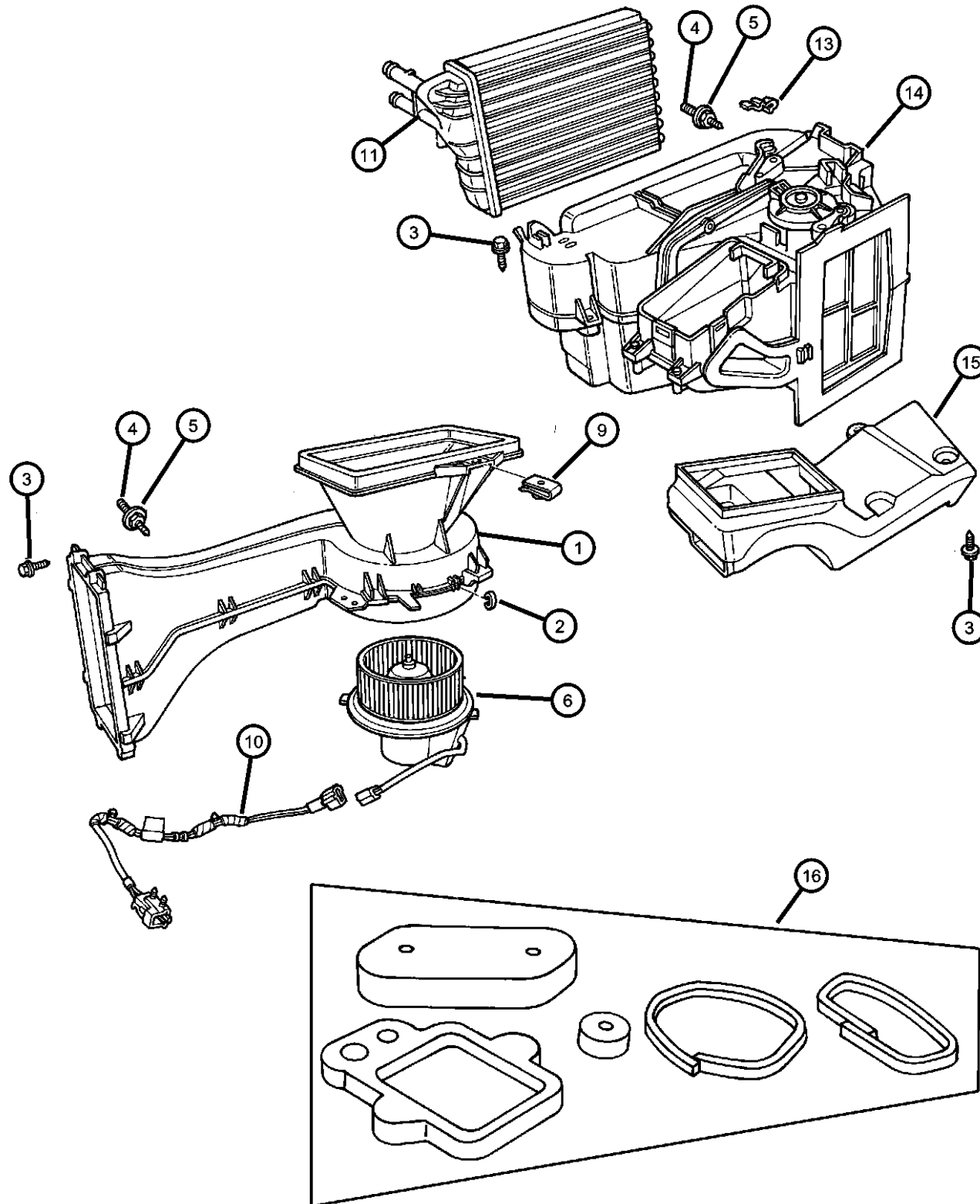
Air Ducts and Outlets

Air Distribution Ducts.....Fig. 24 - 610



| | | | |
|---|---|--|--|
| <p>024-100 Air Conditioner and Heater Units</p>  | <p>024-200 Air Conditioner and Heater Plumbing</p>  | <p>024-300 Air Conditioner and Heater Controls</p>  | <p>024-400 Air Conditioning Compressor Controls</p>  |
| <p>024-500 Air Conditioning Compressor Mounting</p>  | <p>024-600 Air Ducts and Outlets</p>  | | |

Heater Unit
Figure 24-103



| ITEM | PART NUMBER | QTY | LINE | SERIES | BODY | ENGINE | TRANS | TRIM | DESCRIPTION |
|------|-------------|-----|------|--------|------|--------|-------|------|--|
| 1 | 05015287AA | 1 | C | | | | | | HOUSING, Blower Motor |
| 2 | 04644388 | 1 | C | | | | | | CLIP, A/C Heater Housing |
| 3 | 04734227 | 29 | C | | | | | | SCREW, Hex Head, M4.8-1.59x19 |
| 4 | 04734392 | 3 | C | | | | | | STUD, A/C Heater Housing |
| 5 | 06031087 | 3 | C | | | | | | WASHER, A/C Unit Mounting Stud |
| 6 | 04885325AA | 1 | C | | | | | | MOTOR, Blower with Wheel |
| -7 | | | | | | | | | RESISTOR, Blower Motor |
| | 05058026AA | 1 | C | | | | | | After 11-13-00 |
| | 05264803AA | 1 | C | | | | | | Up To 11-13-00 |
| -8 | 04734239 | 1 | C | | | | | | CAP, Blower Motor |
| 9 | 06101308 | 1 | C | | | | | | NUT, U, M6x1 |
| 10 | 04671711AA | 1 | C | | | | | | WIRING, Heater Jumper |
| 11 | 04734453 | 1 | C | | | | | | CORE, Heater |
| -12 | 04734453 | 1 | | | | | | | SEAL, Heater Core, Serviced in Heater Core, (NOT SERVICED) |
| 13 | 04644499 | 4 | C | | | | | | CLIP, Air Conditioning Cable |
| 14 | 05015288AA | 1 | C | | | | | | HOUSING, Distribution |
| 15 | 05017668AA | 1 | C | | | | | | DUCT, A/C And Heater |
| 16 | 05015289AA | 1 | C | | | | | | SEAL KIT, A/C And Heater Unit |

PT CRUISER (PT)

SERIES LINE
H = HIGHLINE Z = CHRYSLER (RHD)
C = CHRYSLER, LHD

BODY
44 = Four Door

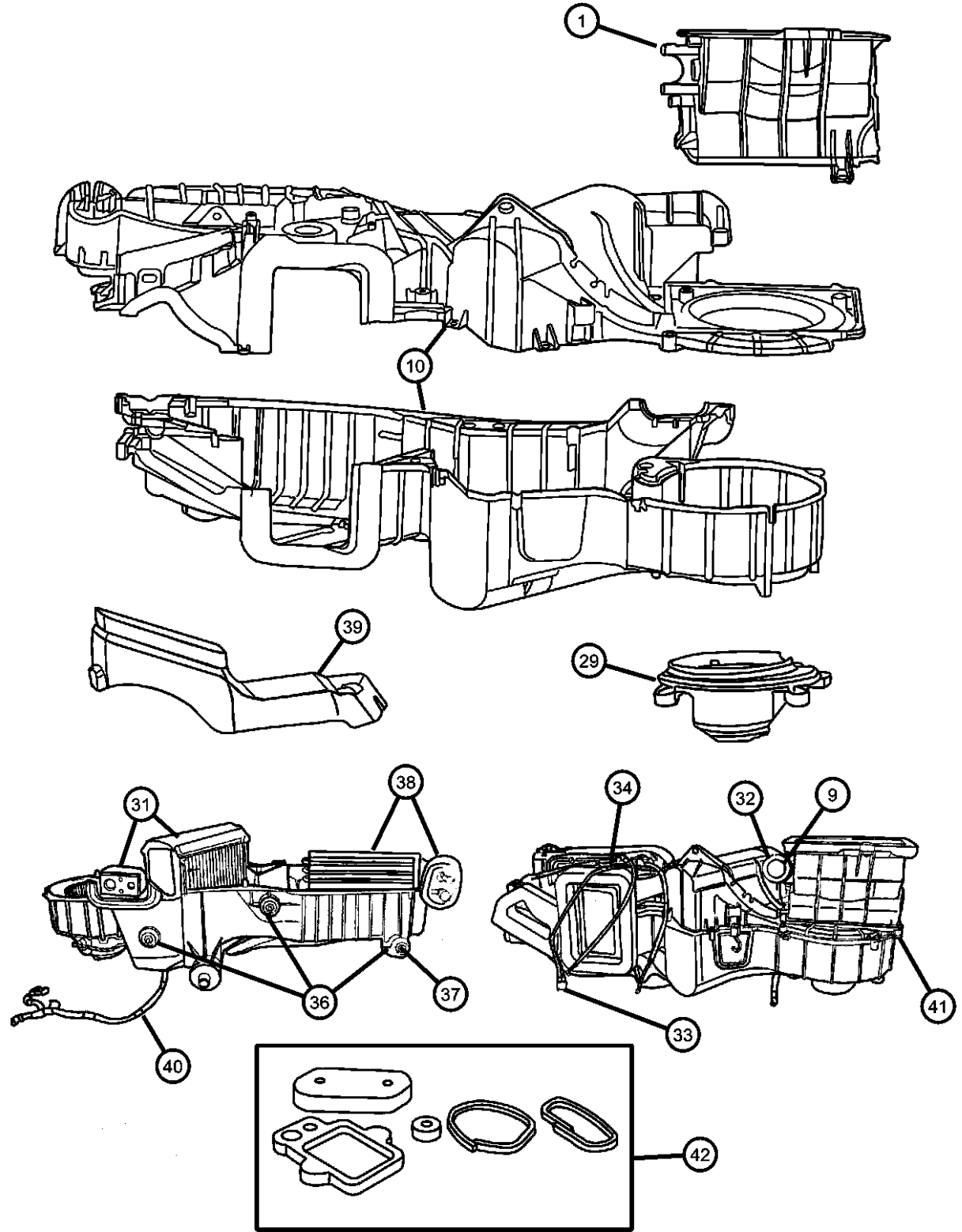
ENGINE TRANSMISSION
ECC = ENGINE - 2.0L 4 CYL DOHC 16V SMPI DGL = TRANSMISSION - 4-SPD. AUTOMATIC, 41TE
EDZ = ENGINE - 2.4L 4 CYL DOHC 16V SMPI DD5 = TRANSMISSION - 5-SPEED MANUAL
DDO = All Manual Transmissions
DGO = All Automatics

AR = use ase required - = Non illustrated part

2001 PT

Air Conditioning and Heater Unit
Figure 24-110

| ITEM | PART NUMBER | QTY | LINE | SERIES | BODY | ENGINE | TRANS | TRIM | DESCRIPTION |
|------|-------------|-----|------|--------|------|--------|-------|------|---|
| 1 | 05017664AA | 1 | C | | | | | | HOUSING, Air Inlet, Contains Items 2 - 9 |
| -2 | 05017664AA | 1 | | | | | | | DOOR, Recirculation, (NOT SERVICED) |
| -3 | 05017664AA | 1 | | | | | | | LEVER, Recirc Door, (NOT SERVICED) |
| -4 | 05017664AA | 1 | | | | | | | RETAINER, Recirculation Door, (NOT SERVICED) |
| -5 | 05017664AA | 1 | | | | | | | SCREW, Recirc Actuator, (NOT SERVICED) |
| -6 | 05017664AA | 1 | | | | | | | LEVER, Recirc Actuator, (NOT SERVICED) |
| -7 | 05017664AA | 1 | | | | | | | SEAL, Air Inlet, (NOT SERVICED) |
| -8 | 06101308 | 1 | C | | | | | | NUT, U, M6x1 |
| 9 | 04885338AA | 1 | C | | | | | | ACTUATOR, Vacuum |
| 10 | 05017665AA | 1 | C | | | | | | HOUSING, A/C And Heater, Contains Items 11 - 28 |
| -11 | 04644525 | 1 | C | | | | | | LEVER, Blend Air Door |
| -12 | 04644525 | 1 | | | | | | | DOOR, Panel, (NOT SERVICED) |
| -13 | 04644525 | 1 | | | | | | | DOOR, Blend Air, (NOT SERVICED) |
| -14 | 04644525 | 1 | | | | | | | DOOR, Floor Defroster Duct, (NOT SERVICED) |
| -15 | 04644525 | 1 | | | | | | | CAM, Mode, (NOT SERVICED) |
| -16 | 04644525 | 1 | | | | | | | LEVER, Panel Door, (NOT SERVICED) |
| -17 | 04644525 | 1 | | | | | | | LINK, Floor Door Gear, (NOT SERVICED) |
| -18 | 04644525 | 1 | | | | | | | WASHER, Retainer Cam, (NOT SERVICED) |
| -19 | 04644525 | 1 | | | | | | | SCREW, Cam Mounting, (NOT SERVICED) |
| -20 | 04644525 | 1 | | | | | | | GASKET, HC Tubes to Dash, (NOT SERVICED) |
| -21 | 04644525 | 1 | | | | | | | GASKET, Panel Opening, (NOT SERVICED) |
| -22 | 04644525 | 1 | | | | | | | GASKET, Demister Opening, (NOT SERVICED) |
| -23 | 04644525 | 1 | | | | | | | GASKET, Drain Tube, (NOT SERVICED) |
| -24 | 04644525 | 1 | | | | | | | SCREW, Link Mounting, (NOT SERVICED) |
| -25 | 04644388 | 1 | C | | | | | | CLIP, A/C Heater Housing |
| -26 | 04734392 | 3 | C | | | | | | STUD, A/C Heater Housing |

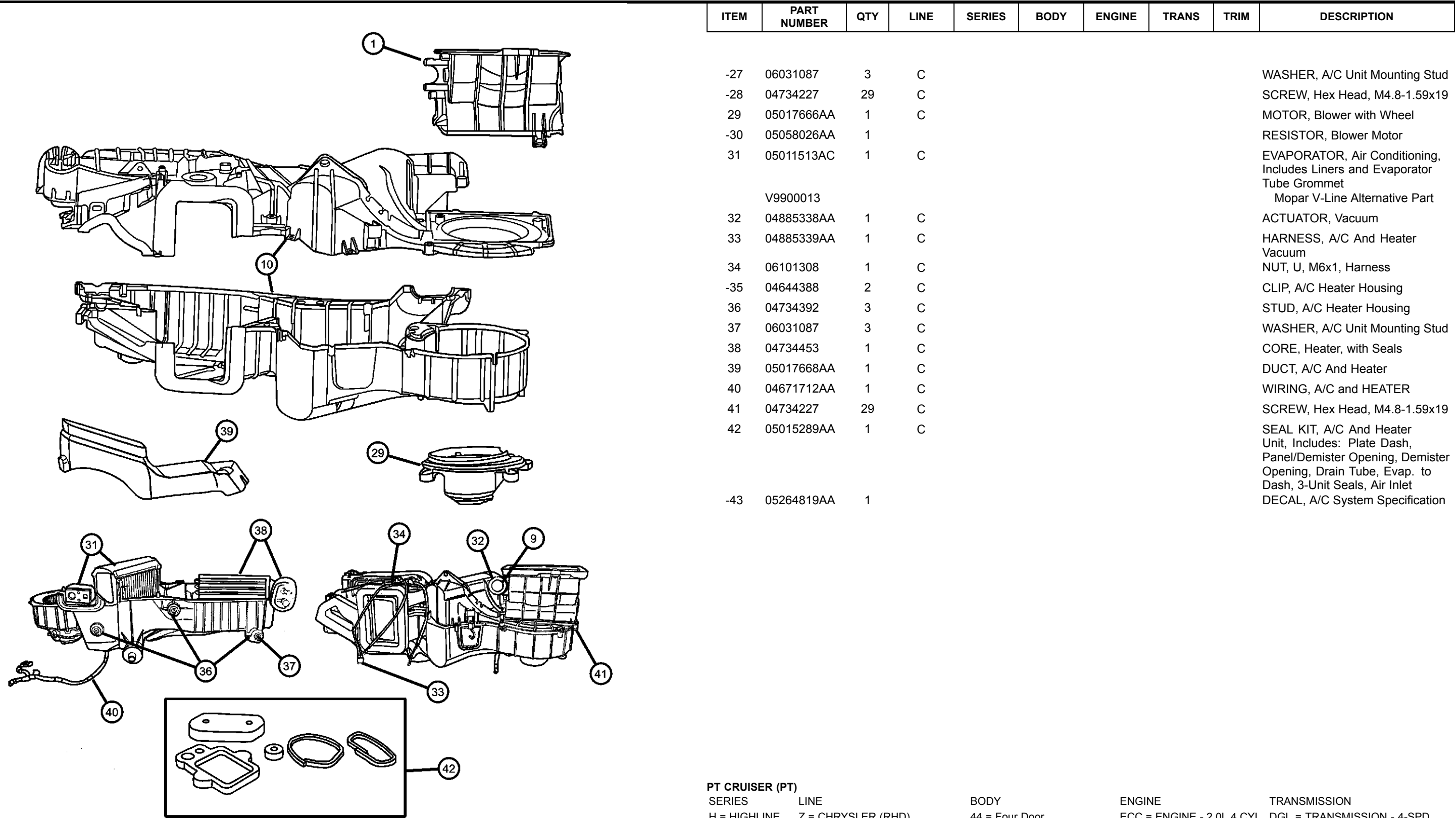


PT CRUISER (PT)

| | | | | |
|--------------|---|----------------|--|--|
| SERIES | LINE | BODY | ENGINE | TRANSMISSION |
| H = HIGHLINE | Z = CHRYSLER (RHD) C = CHRYSLER, LHD | 44 = Four Door | ECC = ENGINE - 2.0L 4 CYL DOHC 16V SMPI EDZ = ENGINE - 2.4L 4 CYL DOHC 16V SMPI | DGL = TRANSMISSION - 4-SPD. AUTOMATIC, 41TE DD5 = TRANSMISSION - 5-SPEED MANUAL DDO = All Manual Transmissions DGO = All Automatics |

AR = use ase required - = Non illustrated part

Air Conditioning and Heater Unit
Figure 24-110



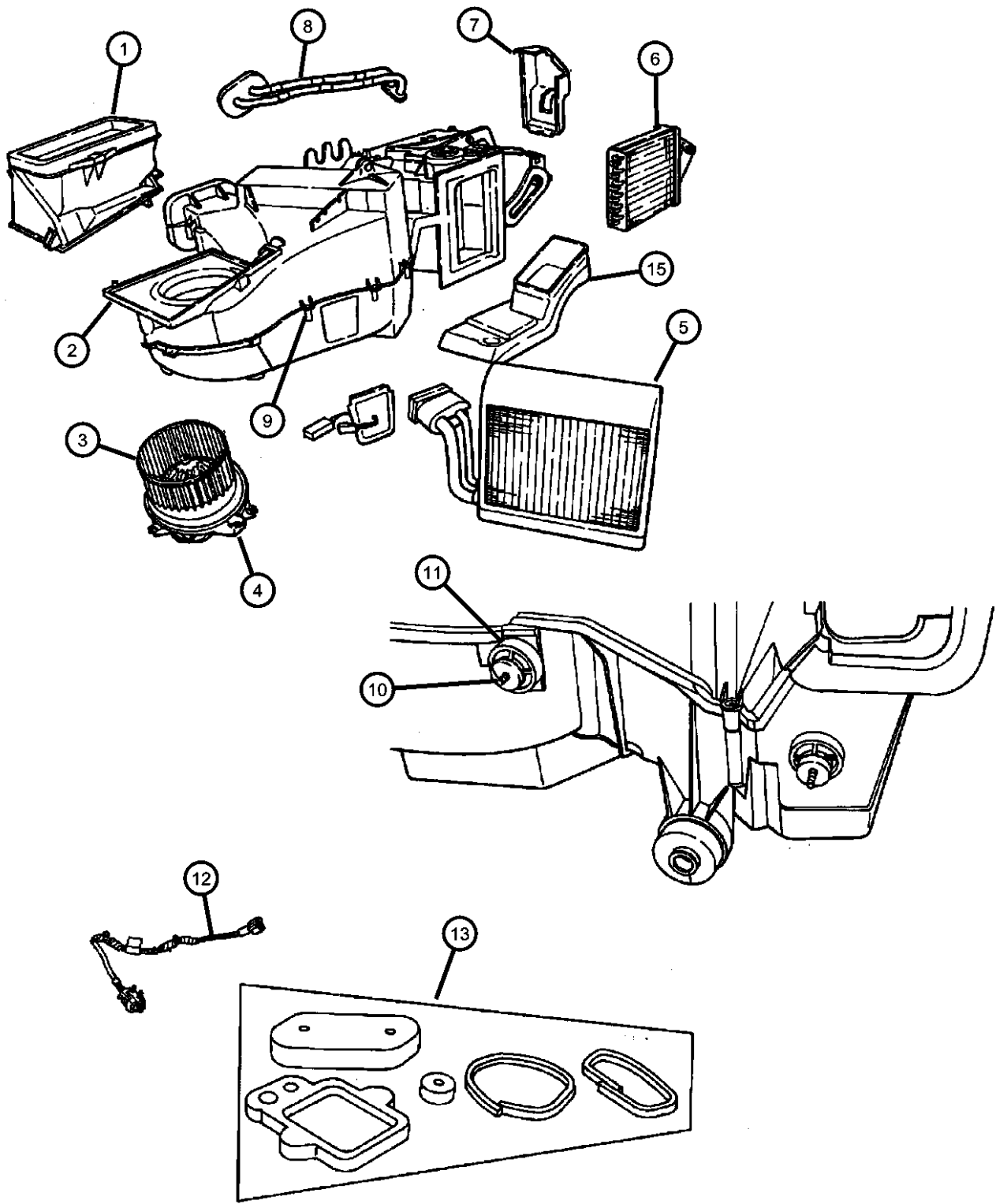
| ITEM | PART NUMBER | QTY | LINE | SERIES | BODY | ENGINE | TRANS | TRIM | DESCRIPTION |
|------|-------------|-----|------|--------|------|--------|-------|------|---|
| -27 | 06031087 | 3 | C | | | | | | WASHER, A/C Unit Mounting Stud |
| -28 | 04734227 | 29 | C | | | | | | SCREW, Hex Head, M4.8-1.59x19 |
| 29 | 05017666AA | 1 | C | | | | | | MOTOR, Blower with Wheel |
| -30 | 05058026AA | 1 | | | | | | | RESISTOR, Blower Motor |
| 31 | 05011513AC | 1 | C | | | | | | EVAPORATOR, Air Conditioning, Includes Liners and Evaporator Tube Grommet |
| | V9900013 | | | | | | | | Mopar V-Line Alternative Part |
| 32 | 04885338AA | 1 | C | | | | | | ACTUATOR, Vacuum |
| 33 | 04885339AA | 1 | C | | | | | | HARNES, A/C And Heater Vacuum |
| 34 | 06101308 | 1 | C | | | | | | NUT, U, M6x1, Harness |
| -35 | 04644388 | 2 | C | | | | | | CLIP, A/C Heater Housing |
| 36 | 04734392 | 3 | C | | | | | | STUD, A/C Heater Housing |
| 37 | 06031087 | 3 | C | | | | | | WASHER, A/C Unit Mounting Stud |
| 38 | 04734453 | 1 | C | | | | | | CORE, Heater, with Seals |
| 39 | 05017668AA | 1 | C | | | | | | DUCT, A/C And Heater |
| 40 | 04671712AA | 1 | C | | | | | | WIRING, A/C and HEATER |
| 41 | 04734227 | 29 | C | | | | | | SCREW, Hex Head, M4.8-1.59x19 |
| 42 | 05015289AA | 1 | C | | | | | | SEAL KIT, A/C And Heater Unit, Includes: Plate Dash, Panel/Demister Opening, Demister Opening, Drain Tube, Evap. to Dash, 3-Unit Seals, Air Inlet |
| -43 | 05264819AA | 1 | | | | | | | DECAL, A/C System Specification |

PT CRUISER (PT)

| | | | | |
|--------------|---|----------------|--|--|
| SERIES | LINE | BODY | ENGINE | TRANSMISSION |
| H = HIGHLINE | Z = CHRYSLER (RHD) C = CHRYSLER, LHD | 44 = Four Door | ECC = ENGINE - 2.0L 4 CYL DOHC 16V SMPI EDZ = ENGINE - 2.4L 4 CYL DOHC 16V SMPI | DGL = TRANSMISSION - 4-SPD. AUTOMATIC, 41TE DD5 = TRANSMISSION - 5-SPEED MANUAL DDO = All Manual Transmissions DGO = All Automatics |

AR = use ase required - = Non illustrated part

Air Conditioning and Heater Unit Figure 24-120



| ITEM | PART NUMBER | QTY | LINE | SERIES | BODY | ENGINE | TRANS | TRIM | DESCRIPTION |
|------|-------------|-----|------|--------|------|--------|-------|------|--------------------------------|
| 1 | 05013423AA | 1 | Z | | | | | | HOUSING, Air Inlet |
| 2 | 05013421AA | 1 | Z | | | | | | HOUSING, A/C And Heater |
| 3 | 05017720AA | 1 | Z | | | | | | MOTOR, Blower with Wheel |
| 4 | 04874185 | 1 | Z | | | | | | COVER, Blower Motor |
| 5 | 04874180AB | 1 | Z | | | | | | EVAPORATOR, Air Conditioning |
| 6 | 04874181 | 1 | Z | | | | | | CORE, Heater |
| 7 | 04874182 | 1 | Z | | | | | | COVER, Heater Core Tubes |
| 8 | 04874183 | 1 | Z | | | | | | TUBE, Heater Core |
| 9 | 04644388 | 7 | Z | | | | | | CLIP, A/C Heater Housing |
| 10 | 04644225 | 3 | Z | | | | | | STUD, A/C Heater Housing |
| 11 | 06031087 | 3 | Z | | | | | | WASHER, A/C Unit Mounting Stud |
| 12 | 04671712AA | 1 | Z | | | | | | WIRING, A/C and HEATER |
| 13 | 04874187 | 1 | Z | | | | | | SEAL KIT, A/C And Heater Unit |
| -14 | 04734227 | 23 | Z | | | | | | SCREW, Hex Head, M4.8-1.59x19 |
| 15 | 05017669AA | 1 | Z | | | | | | DUCT, A/C And Heater |
| -16 | 05058026AA | 1 | | | | | | | RESISTOR, Blower Motor |

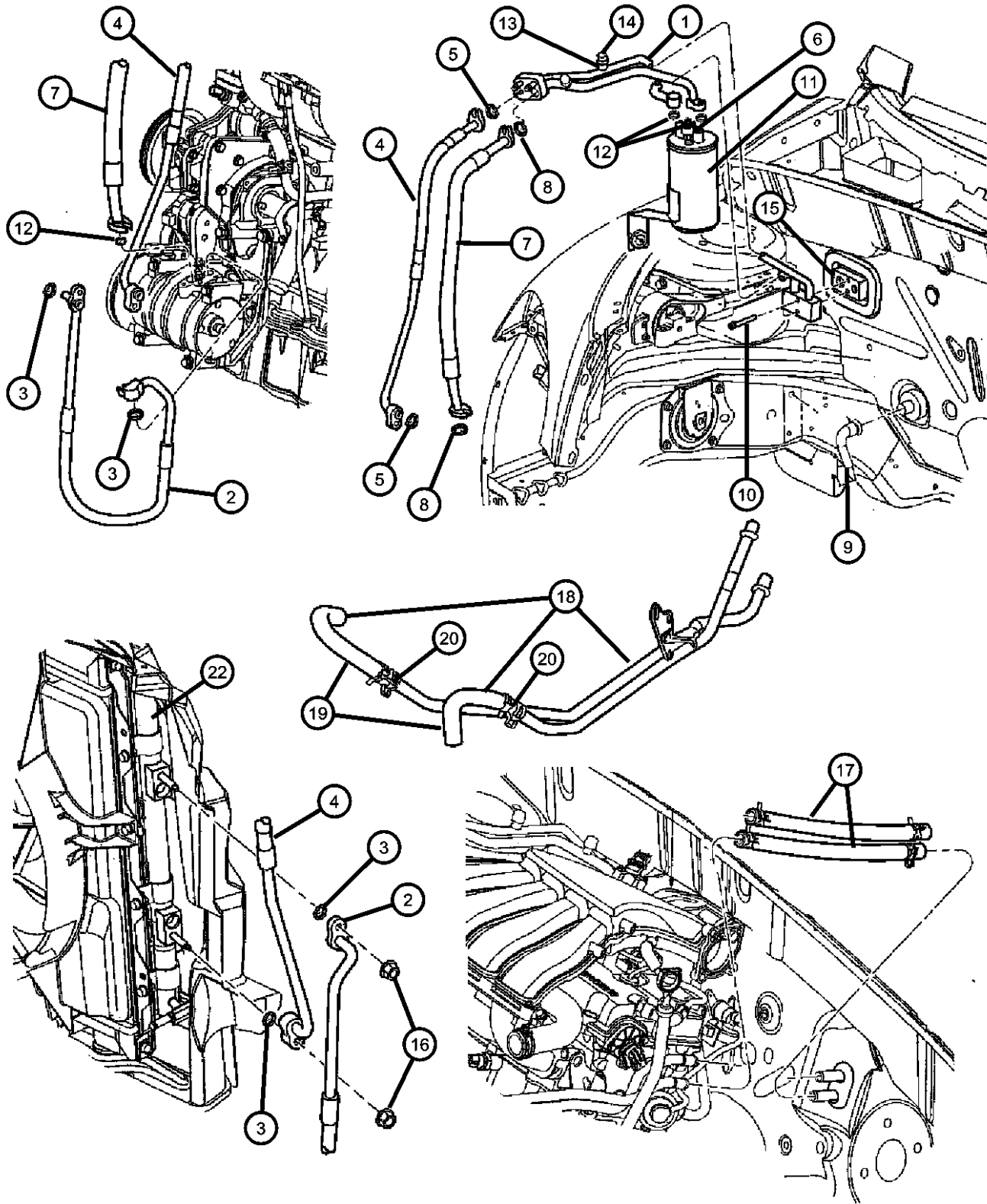
PT CRUISER (PT)

| | | | | |
|--------------|---|----------------|--|---|
| SERIES | LINE | BODY | ENGINE | TRANSMISSION |
| H = HIGHLINE | Z = CHRYSLER (RHD) C = CHRYSLER, LHD | 44 = Four Door | ECC = ENGINE - 2.0L 4 CYL DOHC 16V SMPI EDZ = ENGINE - 2.4L 4 CYL DOHC 16V SMPI | DGL = TRANSMISSION - 4-SPD. AUTOMATIC,41TE DD5 = TRANSMISSION - 5-SPEED MANUAL DDO = All Manual Transmissions DGO = All Automatics |

AR = use ase required - = Non illustrated part

2001 PT

Plumbing, A/C and Heater
Figure 24-210



| ITEM | PART NUMBER | QTY | LINE | SERIES | BODY | ENGINE | TRANS | TRIM | DESCRIPTION |
|---|-------------|-----|------|--------|------|----------|-------|------|--|
| Note: ECC=2.0L 4 Cyl DOHC 16V EDZ=2.4L 4 Cyl DOHC 16V | | | | | | | | | |
| 1 | 05017439AA | 1 | C | | | | | | LINE, A/C Suction And Liquid |
| 2 | 05264818AA | 1 | | | | | | | LINE, A/C Discharge |
| 3 | 04796565 | 2 | | | | | | | O RING, A/C Discharge Line |
| 4 | 05278559AA | 1 | | | | | | | LINE, A/C Liquid |
| 5 | 05072868AA | 2 | | | | | | | O RING, A/C Line |
| 6 | 05016417AA | 1 | C | | | | | | SWITCH KIT, A/C Cycling |
| 7 | 05278560AA | 1 | | | | | | | LINE, A/C Suction |
| 8 | 05096200AA | 2 | | | | | | | O RING, A/C Line |
| 9 | 05264688 | 1 | | | | | | | TUBE, Drain |
| 10 | 06032572 | 2 | | | | | | | SCREW, Cap, .25-20x2.00 |
| 11 | 05017441AA | 1 | C | | | | | | ACCUMULATOR, Air Conditioning |
| 12 | 05072893AA | 2 | | | | | | | O RING, A/C Line |
| 13 | 05264638 | 1 | C | | | | | | VALVE, Charging |
| 14 | 04798259 | 1 | C | | | | | | CAP, A/C Check Valve |
| 15 | 05096258AA | 1 | C | | | | | | GASKET, A/C Line |
| 16 | 06101445 | 2 | C | | | | | | NUT AND WASHER, Hex Nut-Coned Washer, M8 x 1.25 |
| 17 | 05264820AA | 2 | C | | | ECC, EDZ | | | HOSE, Heater Core To Tube |
| 18 | | | | | | | | | HOSE AND TUBE, Heater, contains 2 Hoses, Clamps and Tube |
| | 04777967AA | 1 | | | | EDZ | | | |
| | | 1 | | | | ECC | | | |
| 19 | | | | | | | | | HOSE, Heater |
| | 04428965 | 2 | | | | EDZ | | | |
| | | 2 | | | | ECC | | | |
| 20 | | | | | | | | | CLAMP, Heater Hose |
| | 06502017 | 2 | | | | EDZ | | | |
| | | 2 | | | | ECC | | | |
| -21 | 05264664 | 1 | C | | | | | | SEAL, Evaporator To Dash, Evaporator Hole - Heater only |
| 22 | 05017405AA | 1 | | | | | | | CONDENSER KIT, Air Conditioning |

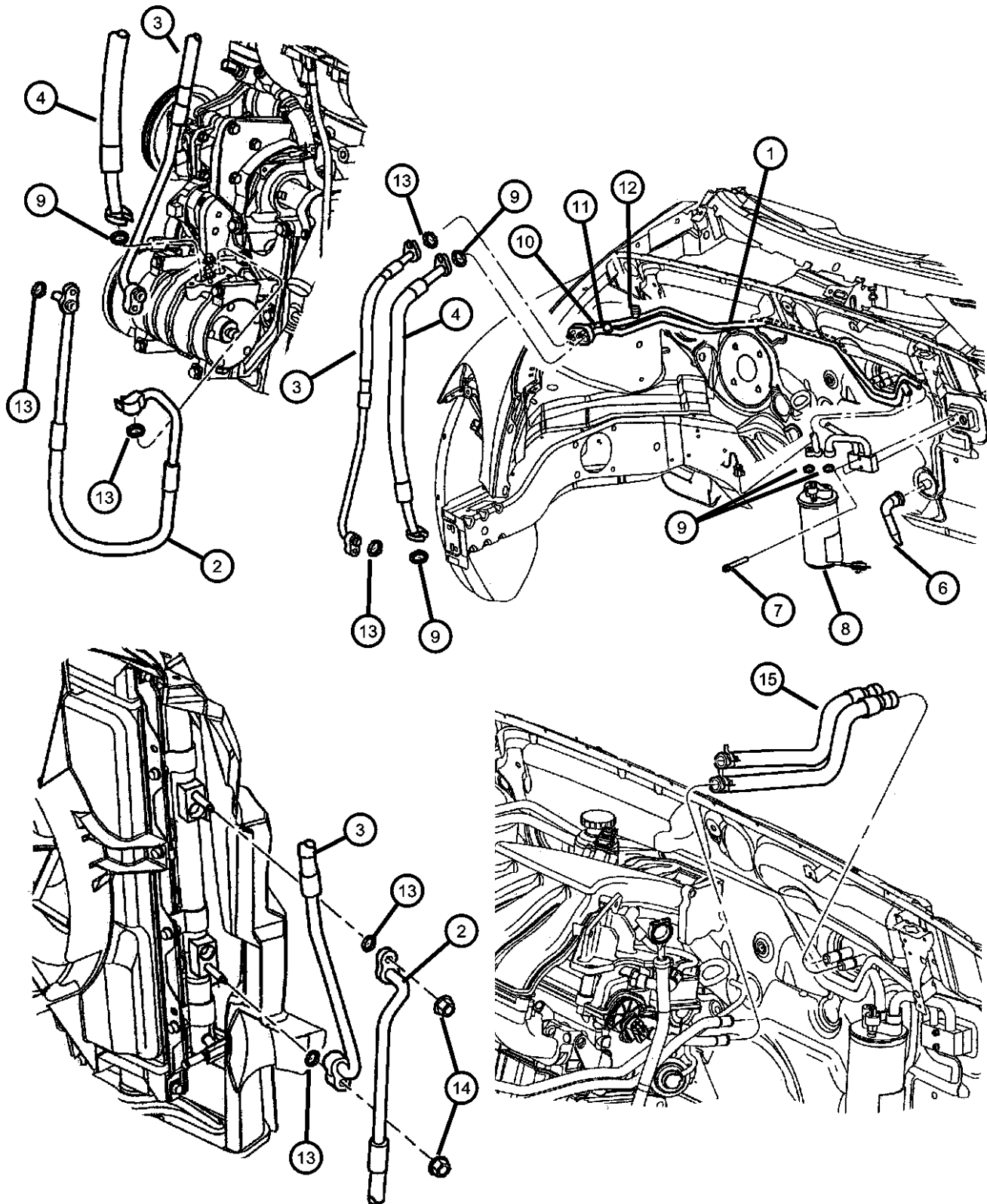
PT CRUISER (PT)

| | | | | |
|--------------|---|----------------|--|--|
| SERIES | LINE | BODY | ENGINE | TRANSMISSION |
| H = HIGHLINE | Z = CHRYSLER (RHD) C = CHRYSLER, LHD | 44 = Four Door | ECC = ENGINE - 2.0L 4 CYL DOHC 16V SMPI EDZ = ENGINE - 2.4L 4 CYL DOHC 16V SMPI | DGL = TRANSMISSION - 4-SPD. AUTOMATIC, 41TE DD5 = TRANSMISSION - 5-SPEED MANUAL DDO = All Manual Transmissions DGO = All Automatics |

AR = use ase required - = Non illustrated part

2001 PT

**Plumbing, A/C and Heater
Figure 24-220**



| ITEM | PART NUMBER | QTY | LINE | SERIES | BODY | ENGINE | TRANS | TRIM | DESCRIPTION |
|---|-------------|-----|------|--------|------|----------|-------|------|--|
| Note: ECC=2.0L 4 Cyl DOHC 16V EDZ=2.4L 4 Cyl DOHC 16V | | | | | | | | | |
| 1 | 05017440AA | 1 | Z | | | | | | LINE, A/C Suction And Liquid |
| 2 | 05264818AA | 1 | | | | | | | LINE, A/C Discharge |
| 3 | 05278559AA | 1 | | | | | | | LINE, A/C Liquid |
| 4 | 05278560AA | 1 | | | | | | | LINE, A/C Suction |
| -5 | 05016417AA | 1 | C | | | | | | SWITCH KIT, A/C Cycling |
| 6 | 05264688 | 1 | | | | | | | TUBE, Drain |
| 7 | 06032572 | 2 | | | | | | | SCREW, Cap, .25-20x2.00 |
| 8 | 05017442AA | 1 | Z | | | | | | ACCUMULATOR, Air Conditioning |
| 9 | 04796564 | 2 | Z | | | | | | O RING, A/C Suction Line |
| 10 | 05264638 | 1 | Z | | | | | | VALVE, Charging |
| 11 | 04798259 | 1 | Z | | | | | | CAP, A/C Check Valve |
| 12 | 05264642 | 1 | Z | | | | | | CAP, A/C Check Valve |
| 13 | 04796565 | 2 | | | | | | | O RING, A/C Discharge Line |
| 14 | 06101445 | 2 | | | | | | | NUT AND WASHER, Hex Nut-Coned Washer, M8 x 1.25 |
| 15 | | | | | | | | | HOSE, Heater Core To Tube |
| | 05058022AA | 1 | Z | | | EDZ, ECC | | | With Flow Restrictor |
| | 05058854AA | 1 | C | | | ECC, EDZ | | | |
| | 05264832AA | 1 | Z | | | ECC, EDZ | | | Without Flow Restrictor |

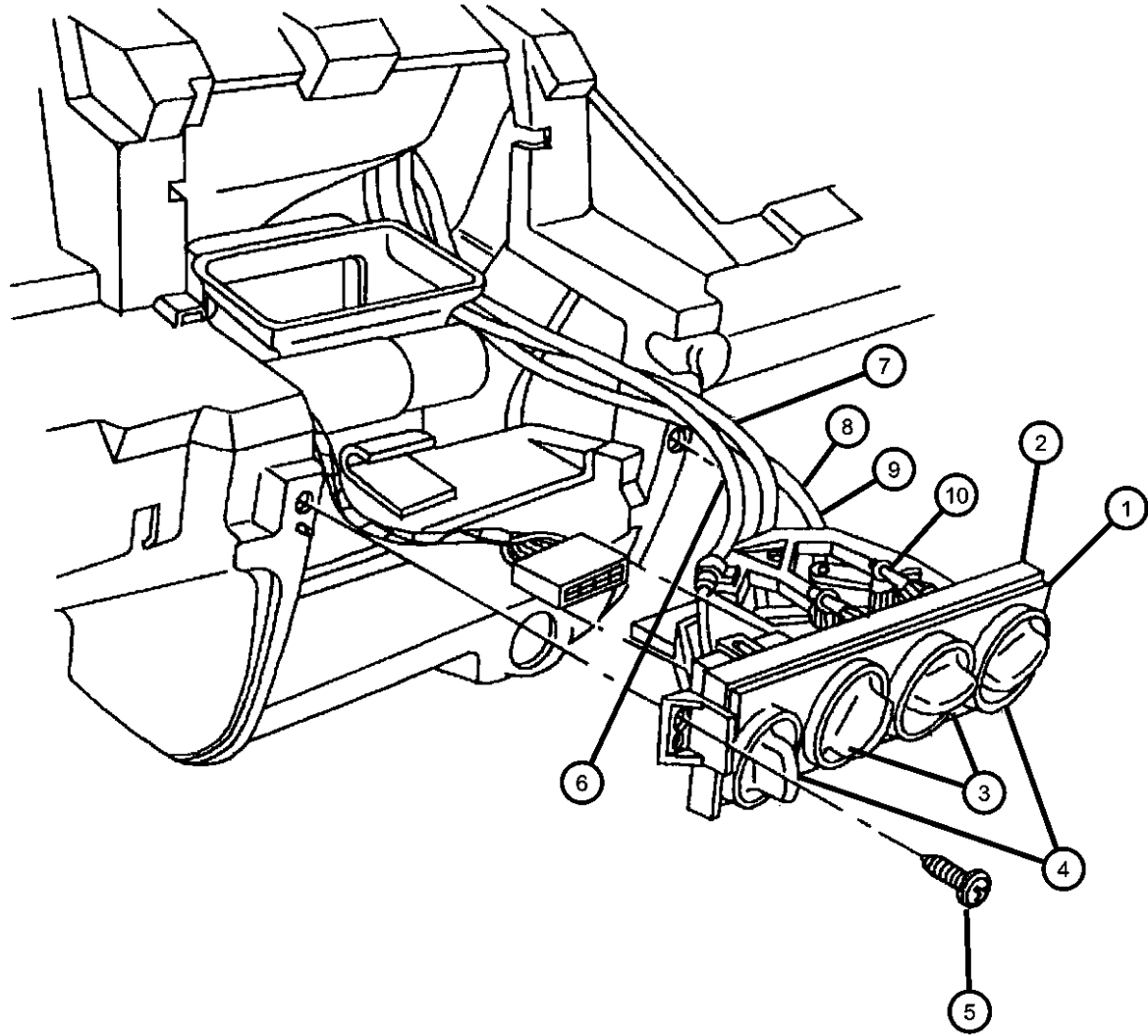
PT CRUISER (PT)

| | | | | |
|--------------|---|----------------|--|--|
| SERIES | LINE | BODY | ENGINE | TRANSMISSION |
| H = HIGHLINE | Z = CHRYSLER (RHD) C = CHRYSLER, LHD | 44 = Four Door | ECC = ENGINE - 2.0L 4 CYL DOHC 16V SMPI EDZ = ENGINE - 2.4L 4 CYL DOHC 16V SMPI | DGL = TRANSMISSION - 4-SPD. AUTOMATIC, 41TE DD5 = TRANSMISSION - 5-SPEED MANUAL DDO = All Manual Transmissions DGO = All Automatics |

AR = use ase required - = Non illustrated part

**Controls, Air Conditioning and Heater
Figure 24-302**

| ITEM | PART NUMBER | QTY | LINE | SERIES | BODY | ENGINE | TRANS | TRIM | DESCRIPTION |
|------|-------------|-----|------|--------|------|--------|-------|------|---|
| 1 | | | | | | | | | CONTROL, A/C And Heater |
| | 04885336AA | 1 | C | | | | | | |
| | 05015381AA | 1 | Z | | | | | | |
| 2 | 04885337AA | 1 | C | | | | | | CONTROL, Heater |
| 3 | | | | | | | | | KNOB, A/C Control |
| | 0SZ13DX9AA | 2 | | | | | | | |
| | | 1 | Z | | | | | | Recirc |
| 4 | 0SZ14DX9AA | 1 | | | | | | | KNOB, Blower Switch, Blower |
| 5 | 06032723 | 4 | | | | | | | SCREW, Self Tapping, M4.2x1.69x19.05 |
| 6 | | | | | | | | | CABLE, Mode |
| | 04644495 | 1 | Z | | | | | | |
| | 04885391AB | 1 | C | | | | | | |
| 7 | | | | | | | | | CABLE, Temperature Control |
| | 04644496 | 1 | Z | | | | | | |
| | 04885708AA | 1 | C | | | | | | |
| 8 | 04644494 | 1 | Z | | | | | | CABLE, Recirculation Door |
| 9 | 04885339AA | 1 | C | | | | | | HARNESS, A/C And Heater Vacuum |
| 10 | | | | | | | | | CLIP, Air Conditioning Cable |
| | 04644499 | 6 | Z | | | | | | |
| | | 2 | C | | | | | | |
| -11 | | | | | | | | | BULB, Heater and A/C Control |
| | 05003281AA | 4 | C | | | | | | |
| | | 4 | Z | | | | | | |



PT CRUISER (PT)

SERIES

H = HIGHLINE

LINE

Z = CHRYSLER (RHD)

C = CHRYSLER, LHD

BODY

44 = Four Door

ENGINE

ECC = ENGINE - 2.0L 4 CYL

DOHC 16V SMPI

EDZ = ENGINE - 2.4L 4 CYL

DOHC 16V SMPI

TRANSMISSION

DGL = TRANSMISSION - 4-SPD.

AUTOMATIC, 41TE

DD5 = TRANSMISSION - 5-SPEED

MANUAL

DDO = All Manual Transmissions

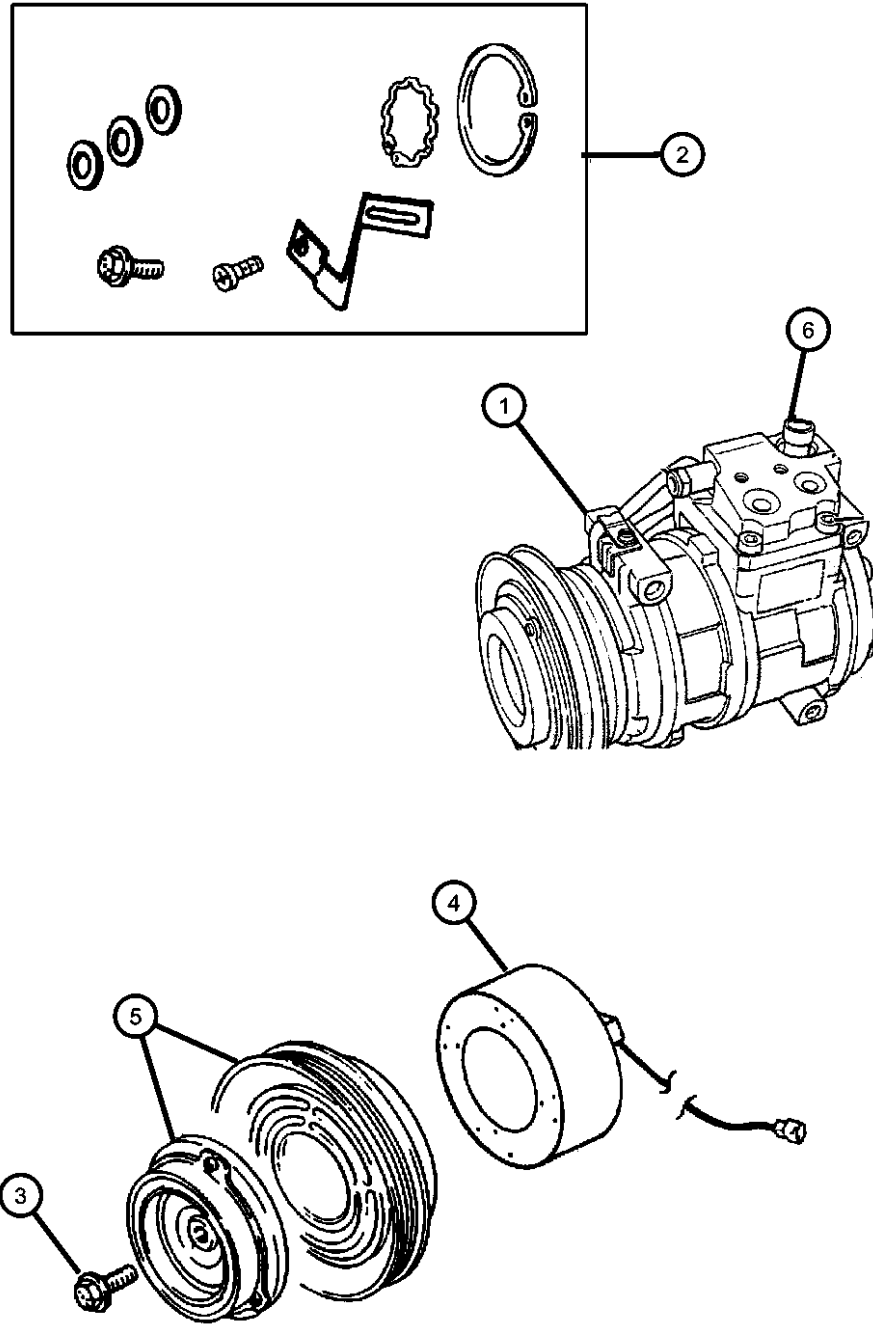
DGO = All Automatics

AR = use ase required - = Non illustrated part

2001 PT

Compressor
Figure 24-410

| ITEM | PART NUMBER | QTY | LINE | SERIES | BODY | ENGINE | TRANS | TRIM | DESCRIPTION |
|------|-------------|-----|------|--------|------|--------|-------|------|--|
| 1 | 05278558AA | 1 | | | | | | | COMPRESSOR, Air Conditioning Auto, Trans. |
| | 05278724AA | 1 | | | | | | | Manual Trans. |
| 2 | 05014572AA | 1 | | | | | | | CLUTCH OVERHAUL KIT, A/C Compressor |
| 3 | 05016162AA | 1 | | | | | | | BOLT, A/C Compressor |
| 4 | 04864715 | 1 | | | | | | | COIL, Stator, A/C Compressor Clutch |
| 5 | 05014573AA | 1 | | | | | | | PULLEY HUB KIT, A/C Compressor |
| 6 | 05014574AA | 1 | | | | | | | SWITCH, A/C High Pressure Cut Off |



PT CRUISER (PT)

SERIES LINE
H = HIGHLINE Z = CHRYSLER (RHD)
C = CHRYSLER, LHD

BODY
44 = Four Door

ENGINE TRANSMISSION
ECC = ENGINE - 2.0L 4 CYL DOHC 16V SMPI DGL = TRANSMISSION - 4-SPD.
AUTOMATIC, 41TE
EDZ = ENGINE - 2.4L 4 CYL DOHC 16V SMPI DD5 = TRANSMISSION - 5-SPEED
MANUAL
DDO = All Manual Transmissions
DGO = All Automatics

AR = use ase required - = Non illustrated part

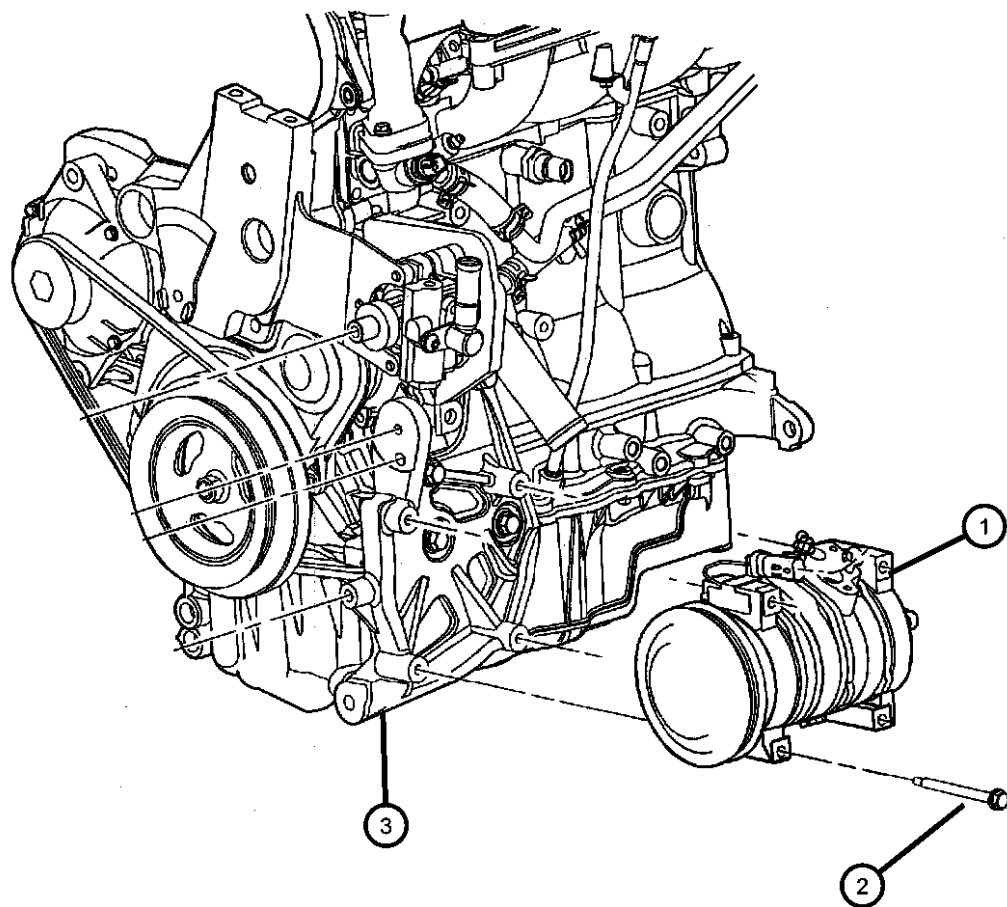
2001 PT

**Compressor Mounting
Figure 24-510**

| ITEM | PART NUMBER | QTY | LINE | SERIES | BODY | ENGINE | TRANS | TRIM | DESCRIPTION |
|------|-------------|-----|------|--------|------|--------|-------|------|-------------|
|------|-------------|-----|------|--------|------|--------|-------|------|-------------|

NOTE:
Sales Codes:
EDZ = 2.4L 4 CYL DOHC 16V SMPI
ECC = 2.0L 4 CYL DOHC 16V SMPI

| | | | | | | | | | |
|---|------------|---|--|--|--|----------|--|--|---|
| 1 | | | | | | | | | COMPRESSOR, Air Conditioning |
| | 05278558AA | 1 | | | | | | | Auto Trans. |
| | 05278724AA | 1 | | | | | | | Manual Trans. |
| 2 | 06503219 | 4 | | | | ECC, EDZ | | | SCREW AND WASHER, Hex Head, M8x1.25x100 |
| 3 | | | | | | | | | BRACKET, Torque Reaction |
| | 04668194AB | 1 | | | | ECC | | | Automatic Transaxle |
| | 04668383AC | 1 | | | | EDZ | | | Automatic Transaxle |
| | 04668687AB | 1 | | | | EDZ | | | Manual Transmission |
| | 04668688AC | 1 | | | | ECC | | | Manual Transmission |



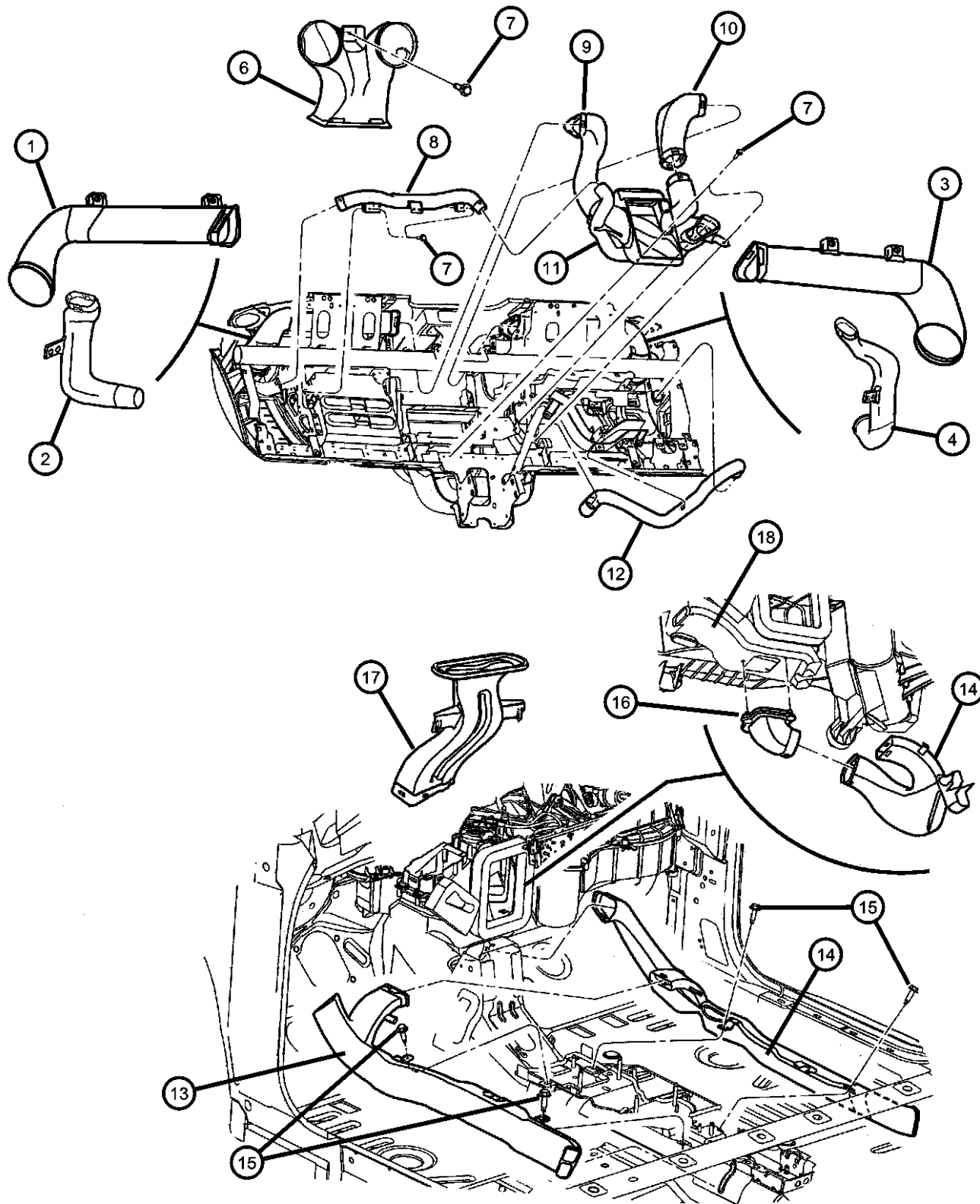
PT CRUISER (PT)

| | | | | |
|--------------|---|----------------|--|--|
| SERIES | LINE | BODY | ENGINE | TRANSMISSION |
| H = HIGHLINE | Z = CHRYSLER (RHD) C = CHRYSLER, LHD | 44 = Four Door | ECC = ENGINE - 2.0L 4 CYL DOHC 16V SMPI EDZ = ENGINE - 2.4L 4 CYL DOHC 16V SMPI | DGL = TRANSMISSION - 4-SPD. AUTOMATIC, 41TE DD5 = TRANSMISSION - 5-SPEED MANUAL DDO = All Manual Transmissions DGO = All Automatics |

AR = use ase required - = Non illustrated part

2001 PT

Air Distribution Ducts
Figure 24-610



| ITEM | PART NUMBER | QTY | LINE | SERIES | BODY | ENGINE | TRANS | TRIM | DESCRIPTION |
|--|-------------|-----|------|--------|------|--------|-------|------|--|
| NOTE: Air Conditioning and Heater Louvers are serviced in the Instrument Panel Bezels. Refer to group 8 - Illustration 105 | | | | | | | | | |
| 1 | | | | | | | | | DUCT, Air Outlet, Left |
| | 05264815AA | 1 | C | | | | | | |
| | 05264825AA | 1 | Z | | | | | | |
| 2 | | | | | | | | | DUCT, Demister, Left |
| | 05291501AA | 1 | C | | | | | | |
| | 05291505AA | 1 | Z | | | | | | |
| 3 | | | | | | | | | DUCT, Air Outlet, Right |
| | 05264814AA | 1 | C | | | | | | |
| | 05264824AA | 1 | Z | | | | | | |
| 4 | | | | | | | | | DUCT, Demister, Right |
| | 05291500AA | 1 | C | | | | | | |
| | 05291504AA | 1 | Z | | | | | | |
| -5 | 0SD00WL8AB | 1 | C | | | | | | HOUSING, Air Conditioning Outlet, Right |
| 6 | | | | | | | | | DUCT, Air Outlet, Center |
| | 05264812AA | 1 | C | | | | | | |
| | 05264824AA | 1 | Z | | | | | | |
| 7 | 06101946 | 4 | | | | | | | SCREW, Tapping |
| 8 | | | | | | | | | DUCT, Demister, Intermediate |
| | 05291422AB | 1 | C | | | | | | |
| | 05291431AB | 1 | Z | | | | | | |
| 9 | | | | | | | | | DUCT, Air Outlet Distribution |
| | 05264811AC | 1 | C | | | | | | |
| | 05264823AC | 1 | Z | | | | | | |
| 10 | | | | | | | | | DUCT, Elbow |
| | 05291426AA | 1 | Z | | | | | | |
| | 05291427AA | 1 | C | | | | | | |
| 11 | 05264816AA | 1 | | | | | | | HOSE, Demister |
| 12 | 05291435AB | 1 | | | | | | | HOSE, Demister |
| 13 | 05291511AB | 1 | | | | | | | DUCT, Air to Rear Seat, Left |
| 14 | 05291510AB | 1 | | | | | | | DUCT, Air to Rear Seat, Right |
| 15 | 05291510AB | 1 | | | | | | | SCREW, M4.2 x 1.70 x 15.00, (NOT SERVICED) |
| 16 | 05291447AA | 1 | | | | | | | DUCT, Elbow |

PT CRUISER (PT)

SERIES

H = HIGHLINE

LINE

Z = CHRYSLER (RHD)

C = CHRYSLER, LHD

BODY

44 = Four Door

ENGINE

ECC = ENGINE - 2.0L 4 CYL

DOHC 16V SMPI

EDZ = ENGINE - 2.4L 4 CYL

DOHC 16V SMPI

TRANSMISSION

DGL = TRANSMISSION - 4-SPD.

AUTOMATIC, 41TE

DD5 = TRANSMISSION - 5-SPEED

MANUAL

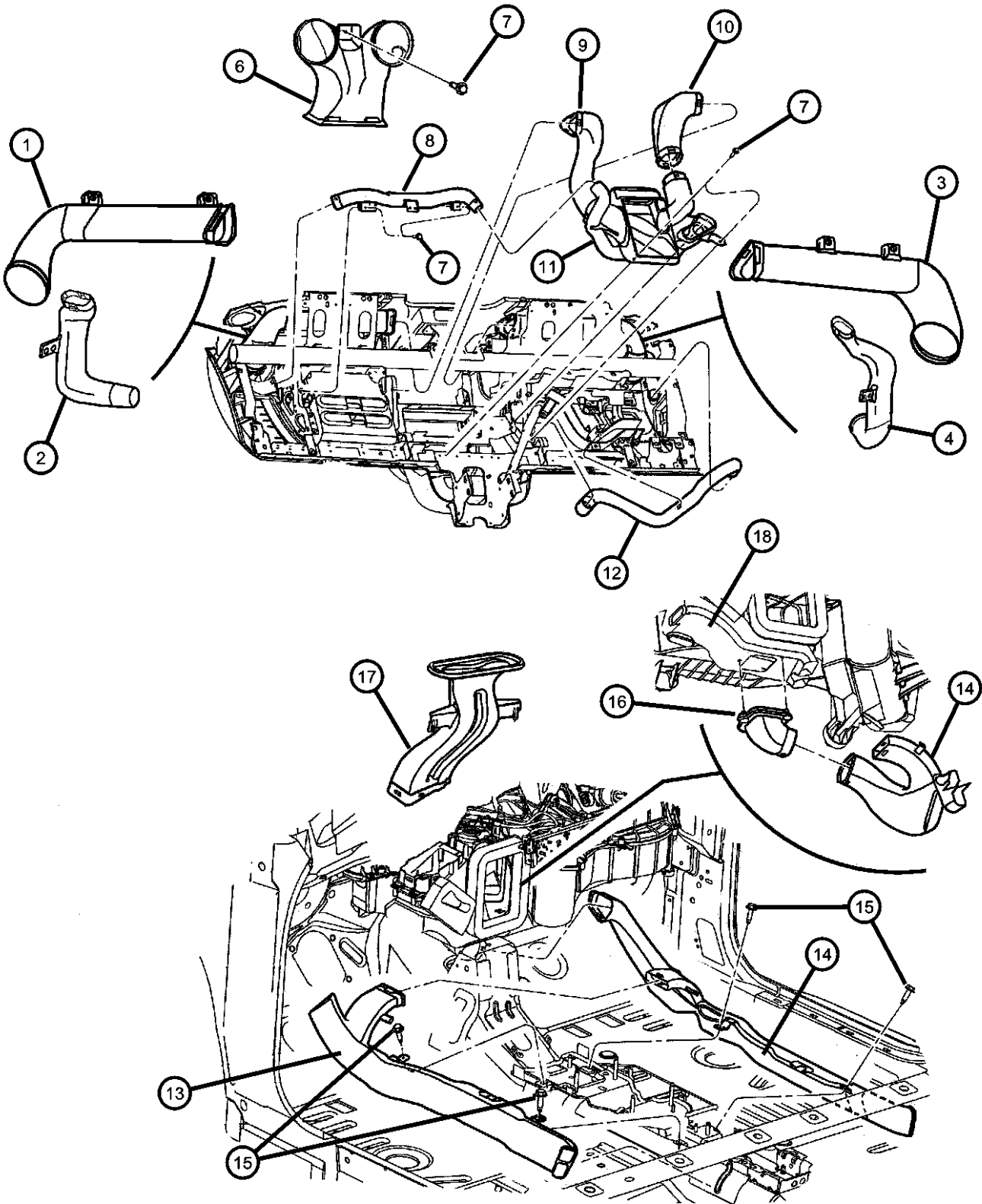
DDO = All Manual Transmissions

DGO = All Automatics

AR = use ase required - = Non illustrated part

2001 PT

**Air Distribution Ducts
Figure 24-610**



| ITEM | PART NUMBER | QTY | LINE | SERIES | BODY | ENGINE | TRANS | TRIM | DESCRIPTION |
|------|-------------|-----|------|--------|------|--------|-------|------|----------------------|
| 17 | 05264810AA | 1 | C | | | | | | DUCT, Defroster |
| | 05264822AA | 1 | Z | | | | | | |
| 18 | 05017668AA | 1 | C | | | | | | DUCT, A/C And Heater |
| | 05017669AA | 1 | Z | | | | | | |

PT CRUISER (PT)

| | | | | |
|--------------|---|----------------|--|--|
| SERIES | LINE | BODY | ENGINE | TRANSMISSION |
| H = HIGHLINE | Z = CHRYSLER (RHD) C = CHRYSLER, LHD | 44 = Four Door | ECC = ENGINE - 2.0L 4 CYL DOHC 16V SMPI EDZ = ENGINE - 2.4L 4 CYL DOHC 16V SMPI | DGL = TRANSMISSION - 4-SPD. AUTOMATIC, 41TE DD5 = TRANSMISSION - 5-SPEED MANUAL DDO = All Manual Transmissions DGO = All Automatics |

AR = use ase required - = Non illustrated part

Group - 25

Emission Systems

Group - 25 Emission Systems

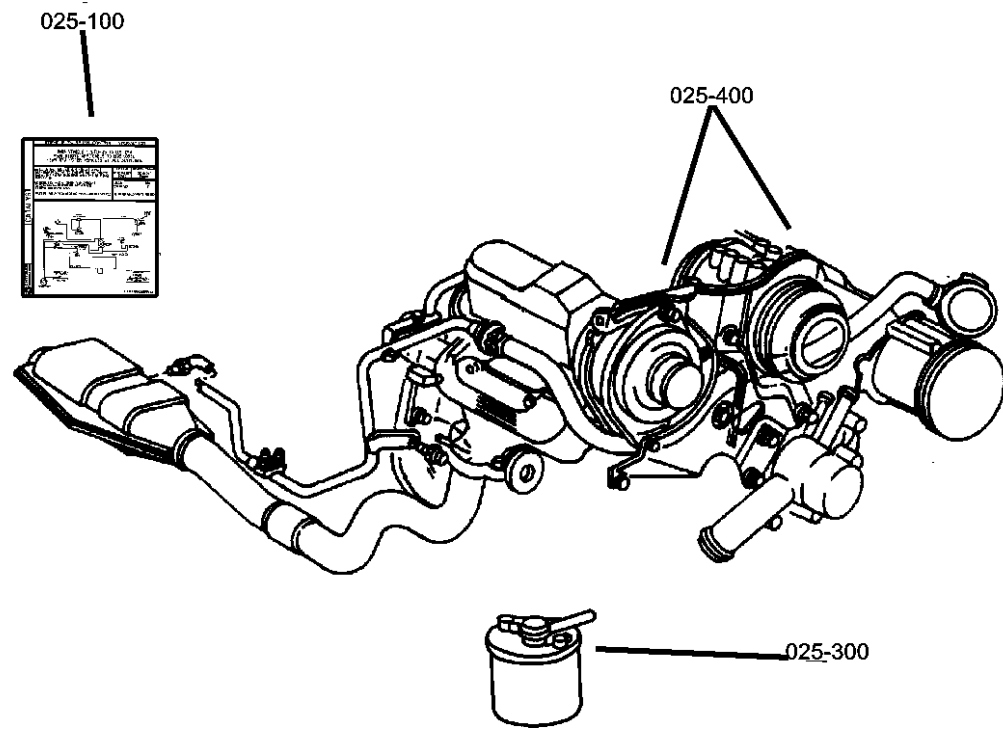


Illustration Title

Group-Fig. No.

Emission Labels

Emission Labels Fig. 25 - 110

EGR System

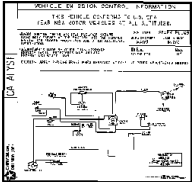
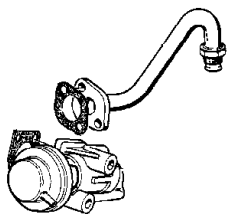

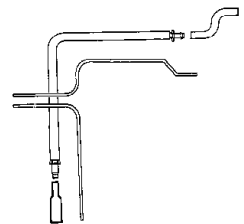
EGR System Fig. 25 - 210

Vacuum Canister

Vapor Canister and Leak Detection Pump Fig. 25 - 310

Emission Harness

Emission Control Vacuum Harness Fig. 25 - 410

| | | | |
|--|--|---|--|
| <p>025-100 Emission Labels</p>  | <p>025-200 EGR System</p>  | <p>025-300 Vacuum Canister</p>  | <p>025-400 Emission Harness</p>  |
|--|--|---|--|

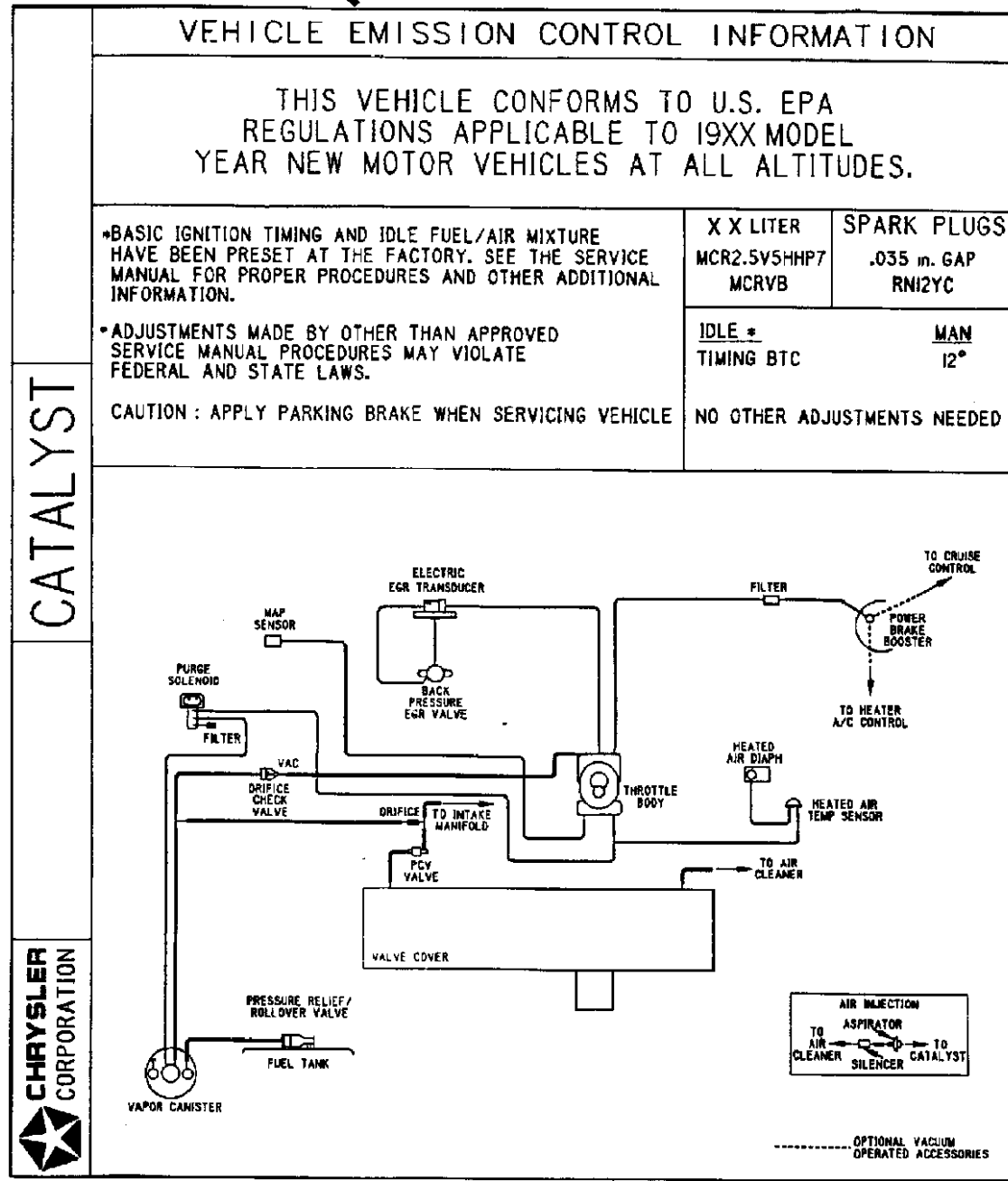
Emission Labels
Figure 25-110

| ITEM | PART NUMBER | QTY | LINE | SERIES | BODY | ENGINE | TRANS | TRIM | DESCRIPTION |
|------|-------------|-----|------|--------|------|--------|-------|------|-------------|
|------|-------------|-----|------|--------|------|--------|-------|------|-------------|

1

NOTE: Sales Codes:
 [DGL]=4 Speed Auto Trans
 [ECC]=2.0L DOHC Engine
 [EDZ]=2.4L DOHC Engine
 [NAA]=Federal Emissions
 [NAE]=California Emissions
 [NAS]=50 States Emissions
 [NA1]=Export Emissions
 [NA3]=European III Emissions.

| ITEM | PART NUMBER | QTY | LINE | SERIES | BODY | ENGINE | TRANS | TRIM | DESCRIPTION |
|------|-------------|-----|------|--------|------|--------|-------|------|---|
| 1 | | | | | | | | | LABEL, Emission |
| | 04891395AB | 1 | | | | EDZ | | | Domestic/International [NAS] 50 States |
| | 04891396AC | 1 | | | | EDZ | | | Canada [NAA] [NAS] Federal, 50 States |
| | 04891397AA | 1 | | | | EDZ | DGL | | Canada [NAE] California |
| | 04891398AA | 1 | | | | EDZ | DGL | | Domestic [NAE] California |
| | 04891399AA | 1 | | | | ECC | | | International [NAS] {NA1} [NA3] 50 States, Mexico, European III |
| | 05274593AA | 1 | | | | EDZ | DGL | | Domestic/International [NAA] Federal |

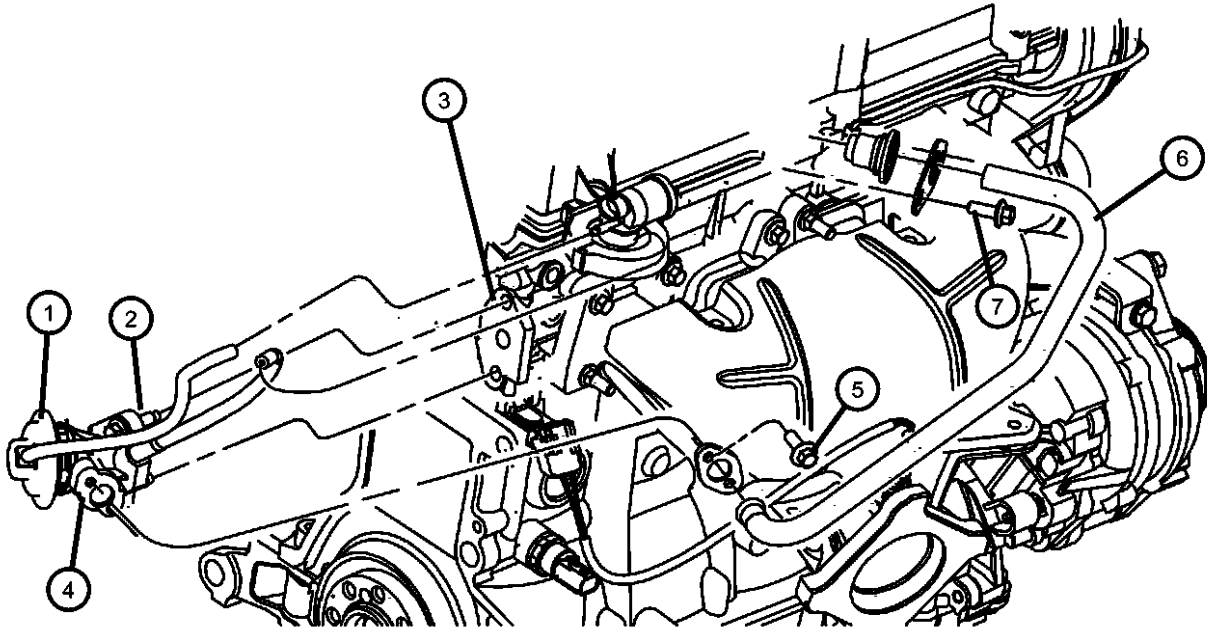


PT CRUISER (PT)
 SERIES LINE BODY ENGINE TRANSMISSION
 H = HIGHLINE Z = CHRYSLER (RHD) 44 = Four Door ECC = ENGINE - 2.0L 4 CYL DOHC 16V SMPI DGL = TRANSMISSION - 4-SPD. AUTOMATIC, 41TE
 C = CHRYSLER, LHD EDZ = ENGINE - 2.4L 4 CYL DOHC 16V SMPI DD5 = TRANSMISSION - 5-SPEED MANUAL
 DDO = All Manual Transmissions
 DGO = All Automatics

AR = use ase required - = Non illustrated part

**EGR System
Figure 25-210**

| ITEM | PART NUMBER | QTY | LINE | SERIES | BODY | ENGINE | TRANS | TRIM | DESCRIPTION |
|---|-------------|-----|------|--------|------|--------|-------|------|---|
| NOTE: Sales Codes [ECC]=2.0L 4 Cyl DOHC 16V [EDZ]=2.4L 4 Cyl DOHC 16V | | | | | | | | | |
| 1 | 04891985AA | 1 | | | | EDZ | | | VALVE, EGR |
| 2 | 04891985AA | 1 | | | | | | | SCREW, Hex Flange Head, M8x1.25x35, (NOT SERVICED) |
| 3 | | | | | | | | | GASKET, EGR Valve |
| | 04663247AB | 1 | | | | ECC | | | [NA1] |
| | | 1 | | | | EDZ | | | [NAS] |
| 4 | 05277928 | 1 | | | | EDZ | | | GASKET, EGR Tube Flange |
| 5 | 06500464 | 2 | | | | EDZ | | | BOLT |
| 6 | 04891207AB | 1 | | | | EDZ | | | TUBE, EGR |
| 7 | 06500464 | 2 | | | | EDZ | | | BOLT |



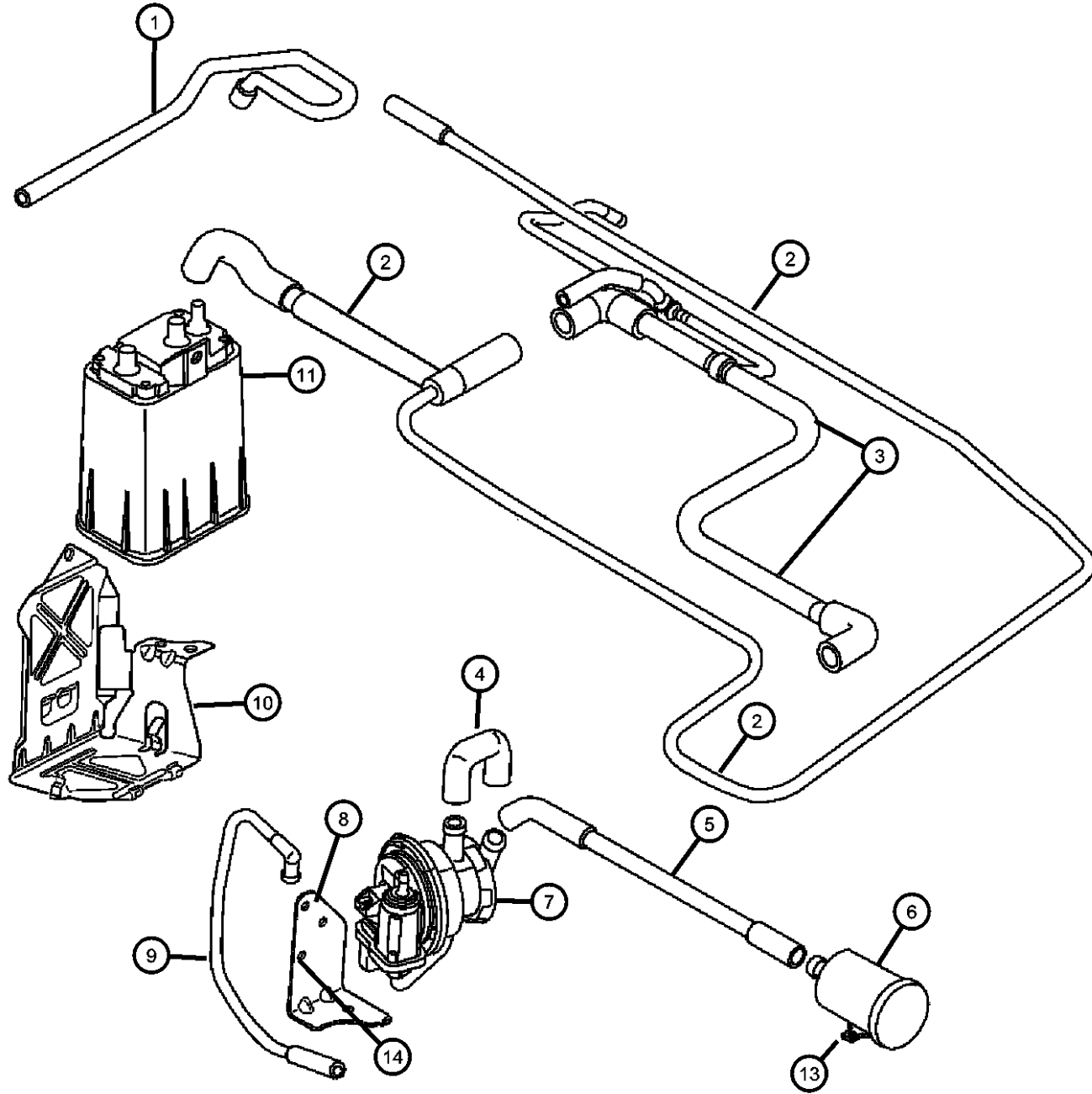
PT CRUISER (PT)

| | | | | |
|--------------|---|----------------|--|--|
| SERIES | LINE | BODY | ENGINE | TRANSMISSION |
| H = HIGHLINE | Z = CHRYSLER (RHD) C = CHRYSLER, LHD | 44 = Four Door | ECC = ENGINE - 2.0L 4 CYL DOHC 16V SMPI EDZ = ENGINE - 2.4L 4 CYL DOHC 16V SMPI | DGL = TRANSMISSION - 4-SPD. AUTOMATIC, 41TE DD5 = TRANSMISSION - 5-SPEED MANUAL DDO = All Manual Transmissions DGO = All Automatics |

AR = use ase required - = Non illustrated part

2001 PT

Vapor Canister and Leak Detection Pump
Figure 25-310



| ITEM | PART NUMBER | QTY | LINE | SERIES | BODY | ENGINE | TRANS | TRIM | DESCRIPTION |
|------|-------------|-----|------|--------|------|--------|-------|------|---|
| 1 | 05278547AA | 1 | | | | | | | HOSE, Canister to Vapor Line |
| 2 | 05278552AA | 1 | | | | | | | TUBE, Rollover Valve to Canister |
| 3 | 05278553AB | 1 | | | | | | | TUBE, Control Valve to Canister |
| 4 | 05278548AA | 1 | | | | | | | HOSE, Canister to LDP |
| 5 | | | | | | | | | TUBE, Fuel Vapor Vent Filter |
| | 05278550AA | 1 | | | | | | | [NA1] |
| | 05278551AA | 1 | | | | | | | [NAS] |
| 6 | 04612901 | 1 | | | | | | | FILTER, Fuel Vapor Vent |
| 7 | 04891420AA | 1 | | | | | | | PUMP, Leak Detection |
| 8 | 05278719AA | 1 | | | | | | | BRACKET, Leak Detection Pump |
| 9 | 05278549AA | 1 | | | | | | | TUBE, LDP to Vacuum Line |
| 10 | 05278554AA | 1 | | | | | | | BRACKET, Vapor Canister |
| 11 | 04891421AA | 1 | | | | | | | CANISTER, Vapor |
| -12 | | | | | | | | | FASTENER, Canister to Bracket |
| | 04764197 | 1 | | | | | | | [NAS] |
| | | 1 | | | | | | | [NA1] |
| 13 | 06101221 | 1 | | | | | | | SCREW, Filter Mounting |
| 14 | 06504199 | 1 | | | | | | | SCREW, Hex Flange Head, M6x1x12, Leak Detection Pump Mounting |

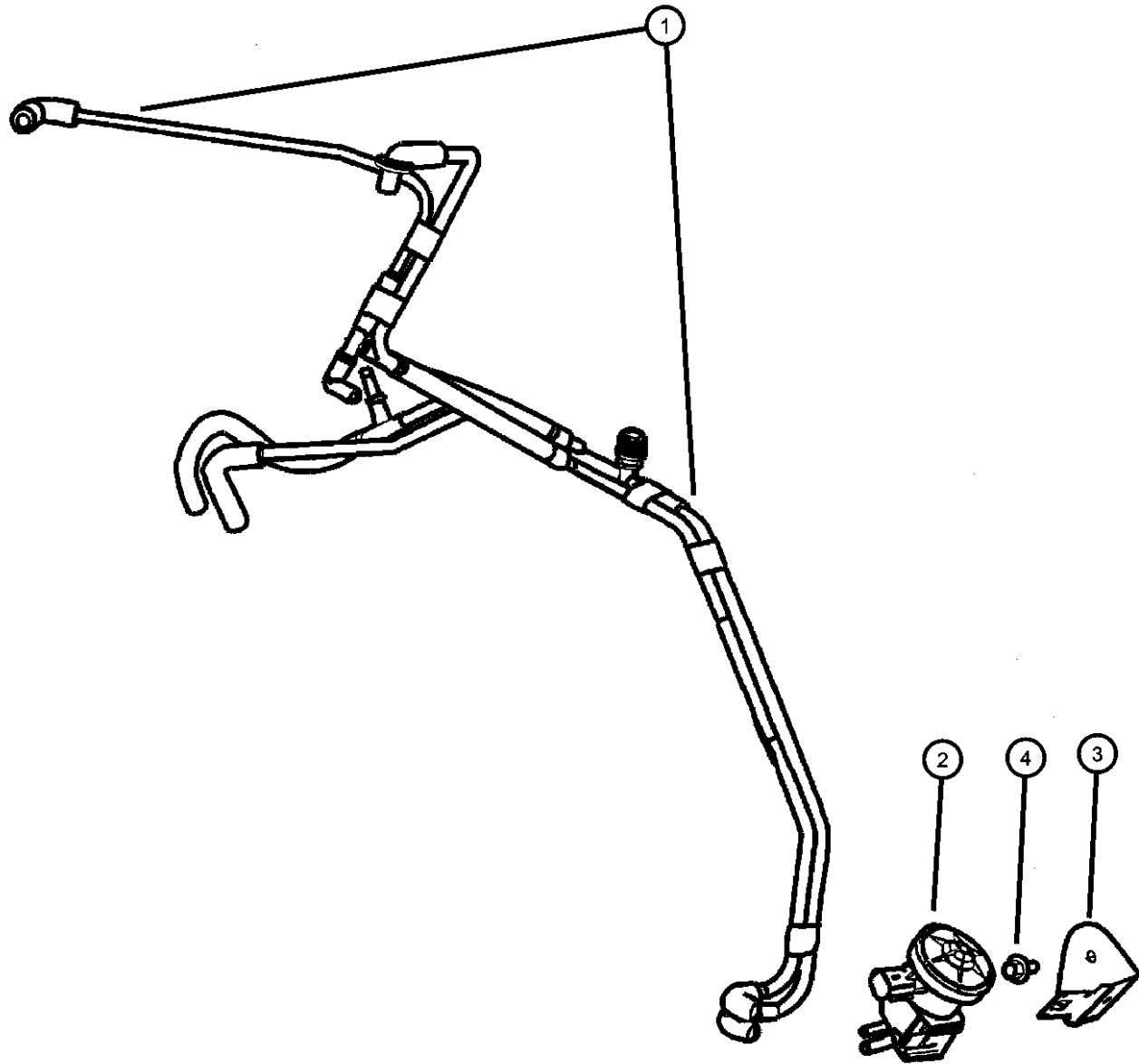
PT CRUISER (PT)

| | | | | |
|--------------|---|----------------|--|--|
| SERIES | LINE | BODY | ENGINE | TRANSMISSION |
| H = HIGHLINE | Z = CHRYSLER (RHD) C = CHRYSLER, LHD | 44 = Four Door | ECC = ENGINE - 2.0L 4 CYL DOHC 16V SMPI EDZ = ENGINE - 2.4L 4 CYL DOHC 16V SMPI | DGL = TRANSMISSION - 4-SPD. AUTOMATIC, 41TE DD5 = TRANSMISSION - 5-SPEED MANUAL DDO = All Manual Transmissions DGO = All Automatics |

AR = use ase required - = Non illustrated part

2001 PT

**Emission Control Vacuum Harness
Figure 25-410**



| ITEM | PART NUMBER | QTY | LINE | SERIES | BODY | ENGINE | TRANS | TRIM | DESCRIPTION |
|------|-------------|-----|------|--------|------|--------|-------|------|-------------|
|------|-------------|-----|------|--------|------|--------|-------|------|-------------|

NOTE: Sales Codes
[ECC]=2.0L DOHC Engine.
[EDZ]=2.4L DOHC Engine

| | | | | | | | | | |
|---|------------|---|---|--|--|----------|--|--|--------------------------------------|
| 1 | | | | | | | | | HARNESS, Vacuum Purge |
| | 04891197AB | 1 | C | | | ECC, EDZ | | | U.S., Canada |
| | 04891198AB | 1 | C | | | EDZ | | | International |
| | 04891430AA | 1 | C | | | ECC | | | International |
| | 04891432AA | 1 | Z | | | ECC | | | International, Right Hand Drive |
| 2 | | | | | | | | | SOLENOID, Proportional Purge |
| | 04669569 | 1 | Z | | | ECC | | | |
| | | 1 | C | | | ECC | | | |
| | | 1 | | | | EDZ | | | |
| 3 | 04891044AB | 1 | | | | | | | BRACKET, Proportional Purge Solenoid |
| 4 | 06102132AA | 1 | | | | | | | SCREW, Hex Head, M6x1x20 |

PT CRUISER (PT)

| | | | | |
|--------------|---|----------------|--|--|
| SERIES | LINE | BODY | ENGINE | TRANSMISSION |
| H = HIGHLINE | Z = CHRYSLER (RHD) C = CHRYSLER, LHD | 44 = Four Door | ECC = ENGINE - 2.0L 4 CYL DOHC 16V SMPI EDZ = ENGINE - 2.4L 4 CYL DOHC 16V SMPI | DGL = TRANSMISSION - 4-SPD. AUTOMATIC, 41TE DD5 = TRANSMISSION - 5-SPEED MANUAL DDO = All Manual Transmissions DGO = All Automatics |

AR = use ase required - = Non illustrated part

2001 PT

Group - DPT

Doors and Related Parts

Group - DPT Doors and Related Parts

Illustration Title

Group-Fig. No.

Front Door

Door, Front..... Fig. DPT - 105
 Door, Front..... Fig. DPT - 107

Rear Door

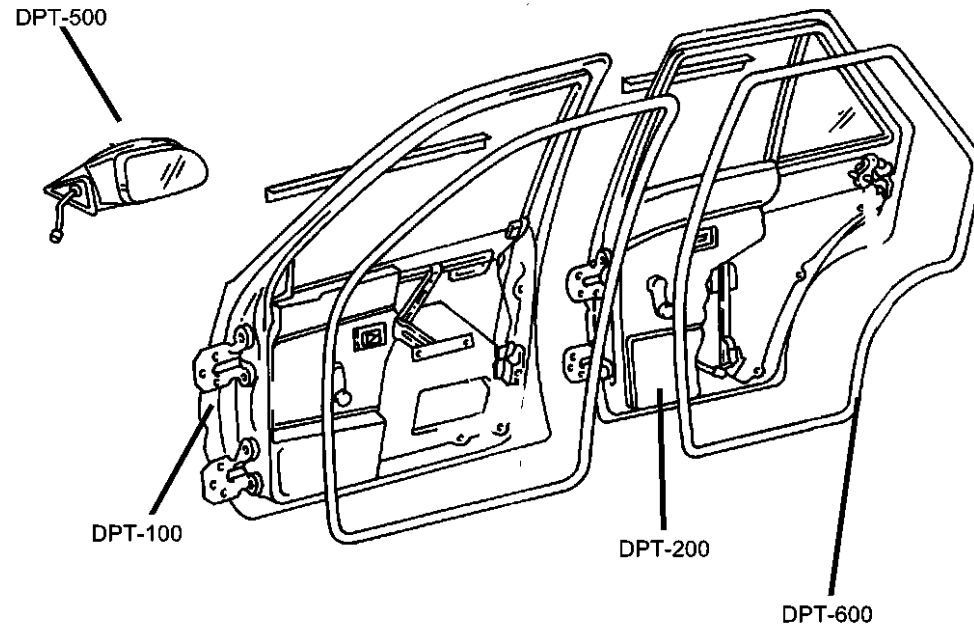
Door, Rear..... Fig. DPT - 205
 Door, Rear..... Fig. DPT - 207

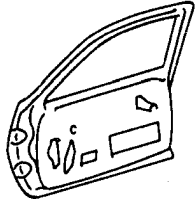
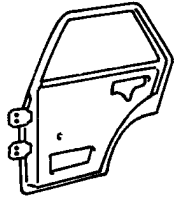
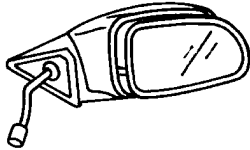
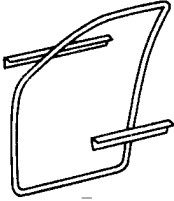
Exterior Mirror

Mirrors, Exterior..... Fig. DPT - 505

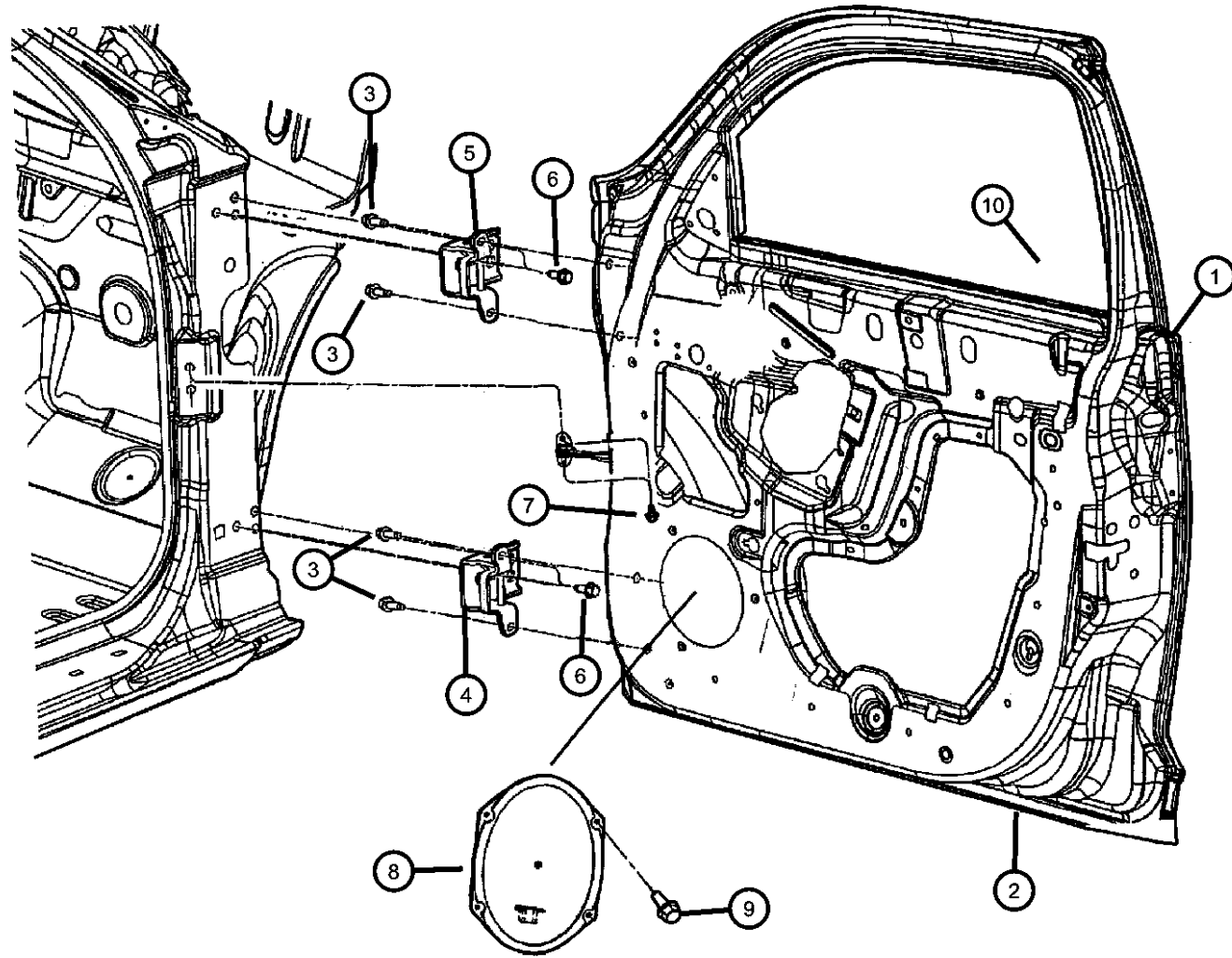
Weatherstrips and Seals

Weatherstrips and Seals..... Fig. DPT - 605



| | | | |
|--|---|--|---|
| <p>DPT-100 Front Door</p>  | <p>DPT-200 Rear Door</p>  | <p>DPT-500 Exterior Mirror</p>  | <p>DPT-600 Weatherstrips and Seals</p>  |
|--|---|--|---|

Door, Front
Figure DPT-105



| ITEM | PART NUMBER | QTY | LINE | SERIES | BODY | ENGINE | TRANS | TRIM | DESCRIPTION |
|------|-------------|-----|------|--------|------|--------|-------|------|---|
| 1 | | | | | | | | | DOOR, Front |
| | 05015854AB | 1 | | | | | | | Up to 7-24-00, Right |
| | 05015855AB | 1 | | | | | | | Up to 7-24-00, Left |
| | 05066966AA | 1 | | | | | | | After 7-24-00, Right |
| | 05066967AA | 1 | | | | | | | After 7-24-00, Left |
| 2 | | | | | | | | | DOOR, Front, Repair Panel |
| | 04724812AA | 1 | | | | | | | Right |
| | 04724813AA | 1 | | | | | | | Left |
| 3 | 06505622AA | 4 | | | | | | | SCREW, Hex Head |
| 4 | 05257974AA | 1 | | | | | | | HINGE, Front DoorUpper Right, Lower Left |
| 5 | 05257975AA | 1 | | | | | | | HINGE, Front DoorLower Right, Upper Left |
| 6 | 06505598AA | 1 | | | | | | | SCREW AND WASHER, Hex Head Pilot Point, M8x1.25x27 |
| 7 | 06505598AA | 1 | | | | | | | SCREW AND WASHER, Cone Wash Special M6x1.00x25.00, (NOT SERVICED) |
| 8 | 04671647AA | 2 | | | | | | | SPEAKER, Front DoorPremium |
| 9 | 06101946 | 4 | | | | | | | SCREW, Tapping, Speaker Assy Mounting |
| 10 | | | | | | | | | LABEL, Child Protection Lock, English |
| | 04396978 | 2 | | | | | | | Window |
| | 04490361 | 2 | | | | | | | Window - FRENCH |
| | 04615722AB | 2 | | | | | | | Door |
| | 04615723 | 2 | | | | | | | Door - FRENCH |
| -11 | 05256594AB | 1 | | | | | | | LABEL, Lift Point, Jacking |
| -12 | 02895126 | 2 | | | | | | | PLUG, Body, 1.25x.50, E-Coat Drain |

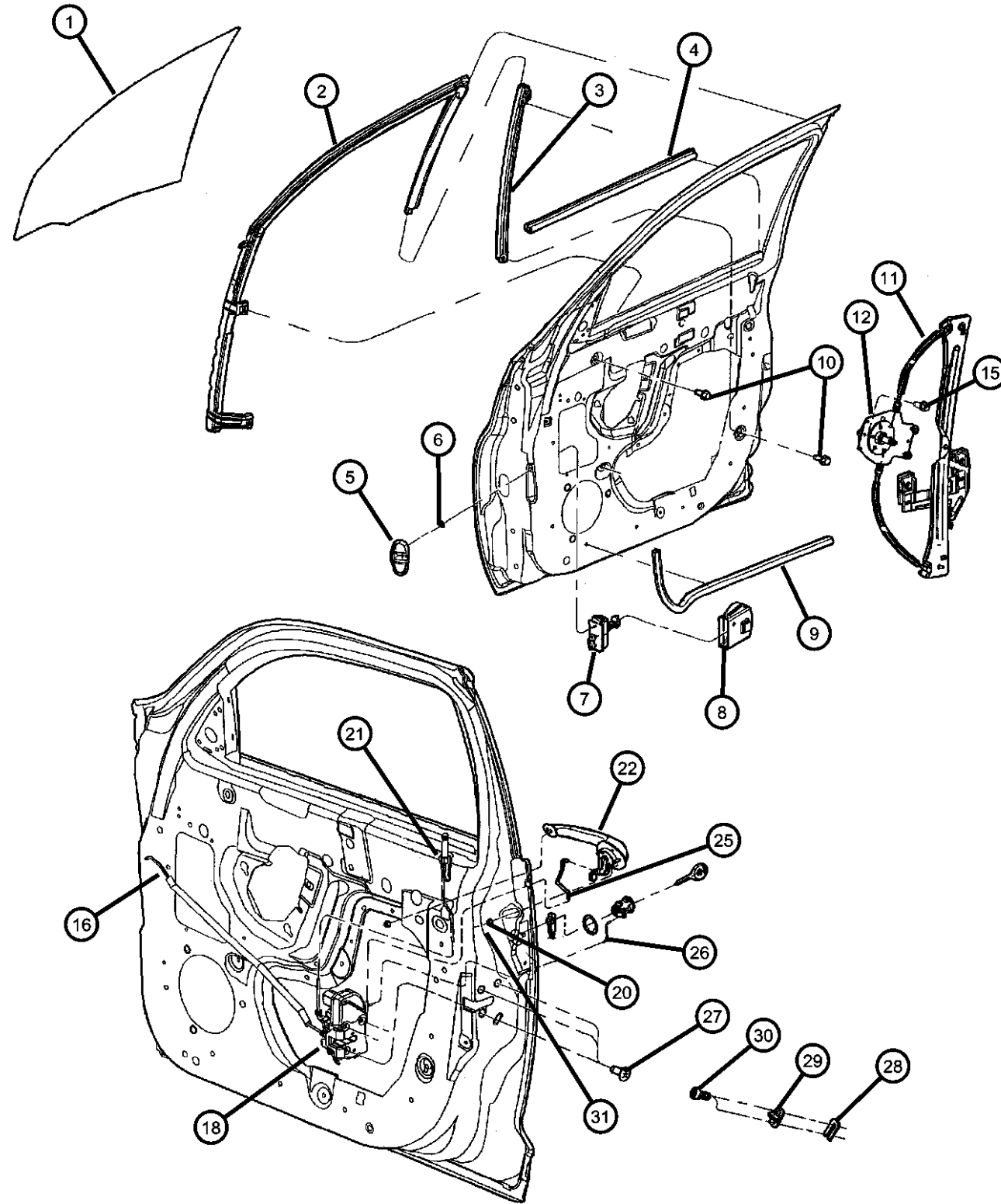
PT CRUISER (PT)

| | | | | |
|--------------|---|----------------|--|--|
| SERIES | LINE | BODY | ENGINE | TRANSMISSION |
| H = HIGHLINE | Z = CHRYSLER (RHD) C = CHRYSLER, LHD | 44 = Four Door | ECC = ENGINE - 2.0L 4 CYL DOHC 16V SMPI EDZ = ENGINE - 2.4L 4 CYL DOHC 16V SMPI | DGL = TRANSMISSION - 4-SPD. AUTOMATIC, 41TE DD5 = TRANSMISSION - 5-SPEED MANUAL DDO = All Manual Transmissions DGO = All Automatics |

AR = use ase required - = Non illustrated part

2001 PT

Door, Front
Figure DPT-107



| ITEM | PART NUMBER | QTY | LINE | SERIES | BODY | ENGINE | TRANS | TRIM | DESCRIPTION |
|------|-------------|-----|------|--------|------|--------|-------|------|--|
| 1 | 04724560AA | 1 | | | | | | | GLASS, Front Door Right |
| | DD09702GTN | | | | | | | | Collision Replacement Glass |
| | 04724561AA | 1 | | | | | | | Left |
| | DD09703GTN | | | | | | | | Collision Replacement Glass |
| 2 | | | | | | | | | WEATHERSTRIP, Front Door Glass |
| | 04724776AB | 1 | | | | | | | Right |
| | 04724777AB | 1 | | | | | | | Left |
| 3 | | | | | | | | | CHANNEL, Front Door Glass Lower |
| | 05027054AA | 1 | | | | | | | Right |
| | 05027055AA | 1 | | | | | | | Left |
| 4 | | | | | | | | | WEATHERSTRIP, Front Door Belt |
| | 04724764AB | 1 | | | | | | | Inner, Right |
| | 04724765AB | 1 | | | | | | | Inner, Left |
| | 04724780AD | 1 | | | | | | | Outer, Right |
| | 04724781AD | 1 | | | | | | | Outer, Left |
| 5 | 05027020AA | 2 | | | | | | | SEAL, Door Check |
| 6 | 06503504 | 4 | | | | | | | NUT AND WASHER, Hex, M6x1 |
| 7 | 04724830AA | 2 | | | | | | | CHECK, Front Door |
| 8 | 05027041AA | 2 | | | | | | | COVER, Check Rod |
| 9 | | | | | | | | | WEATHERSTRIP, Sill Front Secondary |
| | 04724768AB | 1 | | | | | | | Right |
| | 04724769AB | 1 | | | | | | | Left |
| 10 | 06102132AA | 2 | | | | | | | SCREW, Hex Head, M6x1x20 |
| 11 | | | | | | | | | REGULATOR, Front Door Window |
| | 05017810AB | 1 | | | | | | | Right |
| | 05017811AB | 1 | | | | | | | Left |
| 12 | | | | | | | | | MOTOR, Window Regulator |
| | 05017814AA | 1 | | | | | | | Right |
| | 05017815AA | 1 | | | | | | | Left |
| -13 | | | | | | | | | BRACKET, Offset Impact, Regulator and Motor attaching |
| | 05027114AB | 1 | | | | | | | Right |

PT CRUISER (PT)

SERIES LINE
H = HIGHLINE Z = CHRYSLER (RHD)
C = CHRYSLER, LHD

BODY
44 = Four Door

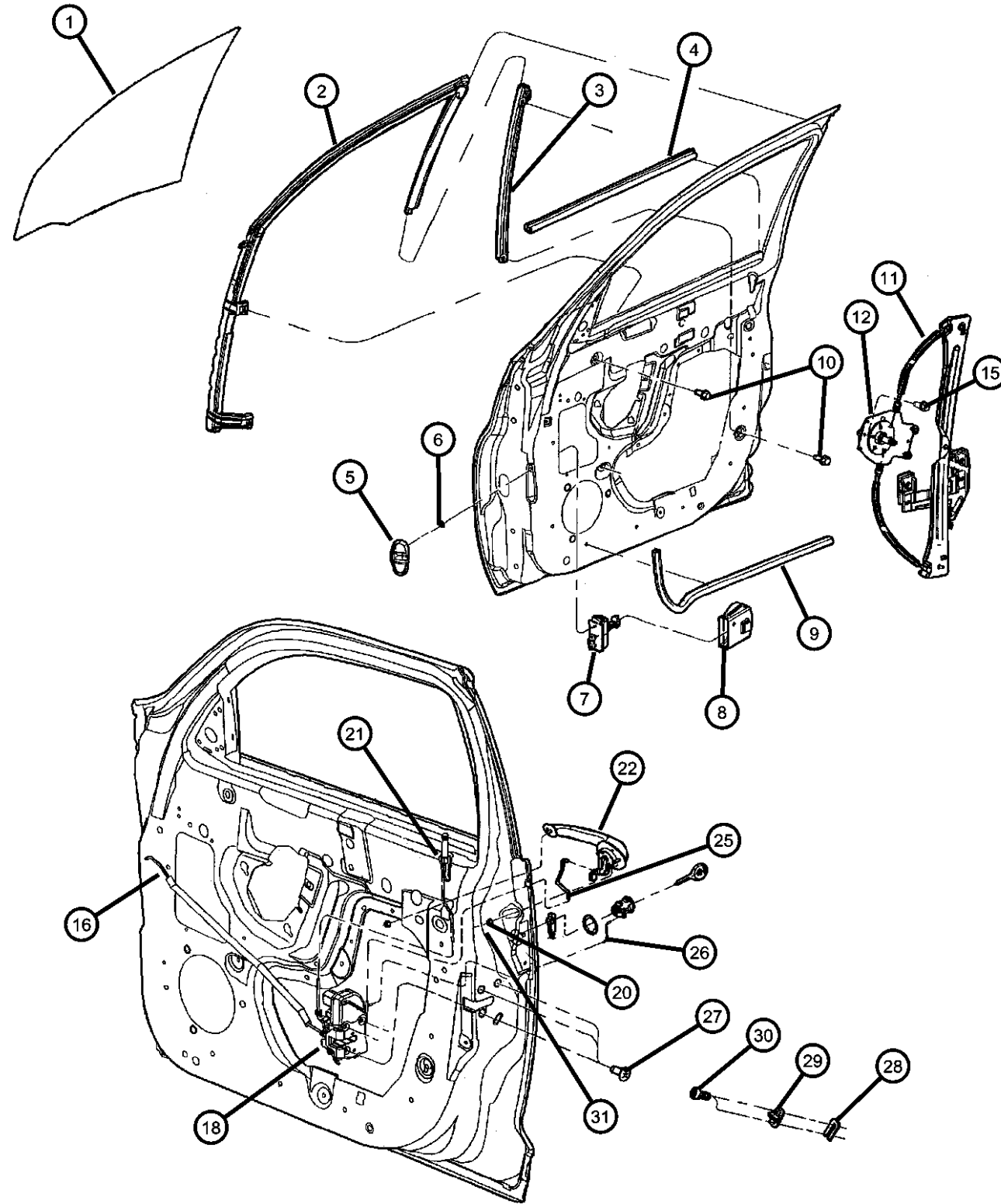
ENGINE
ECC = ENGINE - 2.0L 4 CYL
DOHC 16V SMPI
EDZ = ENGINE - 2.4L 4 CYL
DOHC 16V SMPI

TRANSMISSION
DGL = TRANSMISSION - 4-SPD.
AUTOMATIC, 41TE
DD5 = TRANSMISSION - 5-SPEED
MANUAL
DDO = All Manual Transmissions
DGO = All Automatics

AR = use ase required - = Non illustrated part

2001 PT

Door, Front
Figure DPT-107



| ITEM | PART NUMBER | QTY | LINE | SERIES | BODY | ENGINE | TRANS | TRIM | DESCRIPTION |
|------|-------------|-----|------|--------|------|--------|-------|------|---|
| | 05027115AB | 1 | | | | | | | Left |
| -14 | | | | | | | | | CLIP, Latch Link |
| | 04658674 | 1 | | | | | | | Red, Right |
| | 04658675 | 1 | | | | | | | Green, Left |
| 15 | 05018052AA | 3 | | | | | | | SCREW, Window Motor |
| 16 | | | | | | | | | LINK, Front Door Inside Remote Control to Latch |
| | 04724640AB | 1 | | | | | | | Right |
| | 04724641AB | 1 | | | | | | | Left |
| -17 | 04658676 | 1 | | | | | | | CLIP, Latch Link |
| 18 | | | | | | | | | LATCH, Front Door |
| | 05027072AB | 1 | | | | | | | Right |
| | 05027073AB | 1 | | | | | | | Left |
| | 05027076AC | 1 | | | | | | | Power Locks, Right |
| | 05027077AB | 1 | | | | | | | Power Locks, Left |
| | 05027958AB | 1 | | | | | | | with Ajar Switch (After 4-10-99), Right |
| | 05027959AB | 1 | | | | | | | with Ajar Switch (After 4-10-99), Left |
| | 05027960AB | 1 | | | | | | | Power Locks - with Ajar Switch (After 4-10-99), Right |
| | 05027961AB | 1 | | | | | | | Power Locks - with Ajar Switch (After 4-10-99), Left |
| -19 | 03760482 | 2 | | | | | | | PLUG, Access Hole, Latch |
| 20 | 06503226 | 4 | | | | | | | NUT, Hex Flange, M5x.8 |
| 21 | 0RH42MF1AA | 2 | | | | | | | KNOB AND PUSH ROD, Door Latch |
| 22 | | | | | | | | | HANDLE, Front Door Exterior |
| | 04724912AB | 1 | | | | | | | Right |
| | 04724913AB | 1 | | | | | | | Left |
| -23 | | | | | | | | | HANDLE, Door Interior |
| | 0SB96MF1AA | 1 | | | | | | | Right |
| | 0SB97MF1AA | 1 | | | | | | | Left |
| -24 | 06036290AA | 7 | | | | | | | SCREW, Tapping, Handle |
| 25 | | | | | | | | | LINK, Outside Handle To Latch, Front Door |
| | 04724644AA | 1 | | | | | | | Right |

PT CRUISER (PT)

SERIES LINE
H = HIGHLINE Z = CHRYSLER (RHD)
C = CHRYSLER, LHD

BODY
44 = Four Door

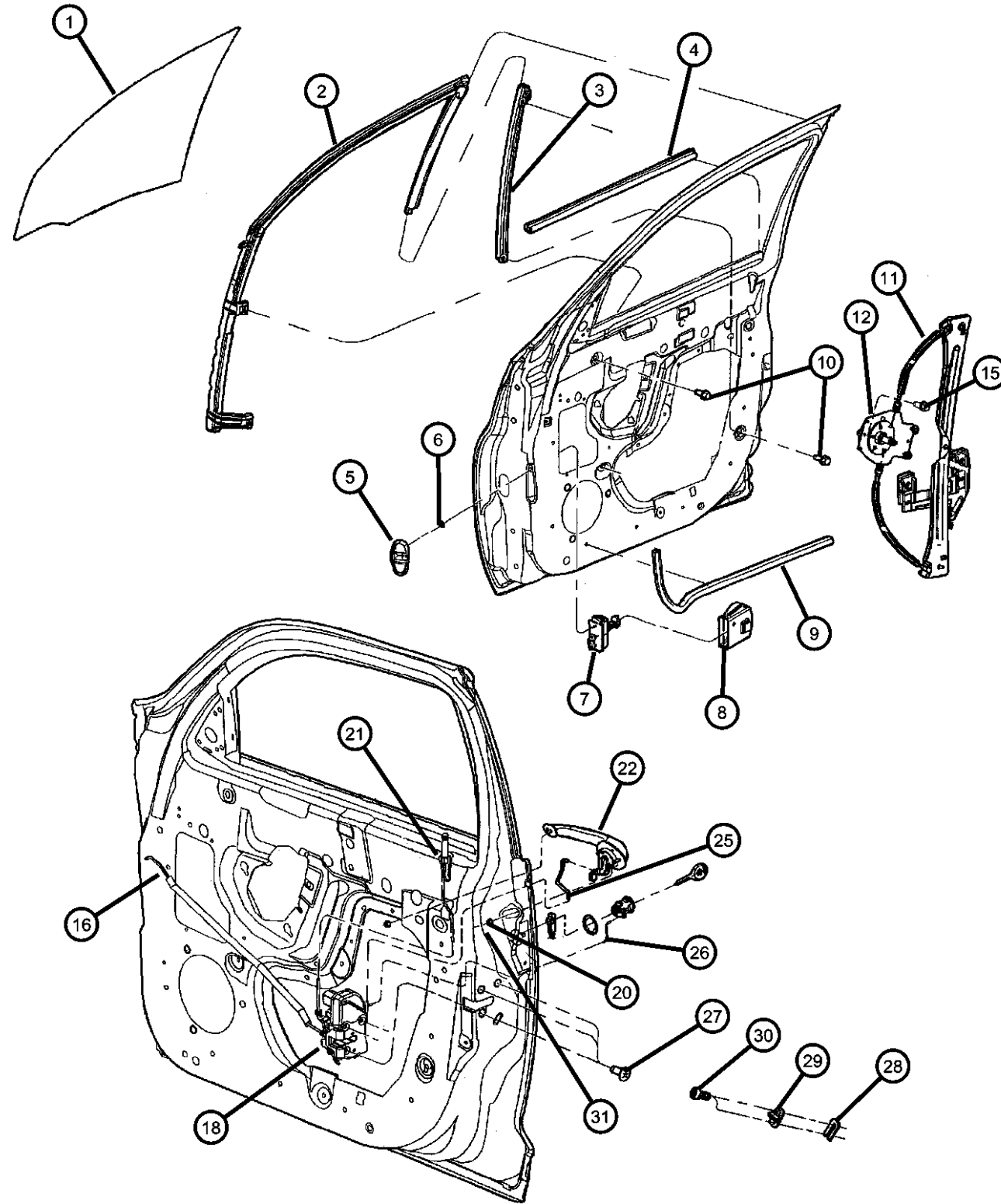
ENGINE
ECC = ENGINE - 2.0L 4 CYL DOHC 16V SMPI
EDZ = ENGINE - 2.4L 4 CYL DOHC 16V SMPI

TRANSMISSION
DGL = TRANSMISSION - 4-SPD. AUTOMATIC, 41TE
DD5 = TRANSMISSION - 5-SPEED MANUAL
DDO = All Manual Transmissions
DGO = All Automatics

AR = use ase required - = Non illustrated part

2001 PT

Door, Front
Figure DPT-107



| ITEM | PART NUMBER | QTY | LINE | SERIES | BODY | ENGINE | TRANS | TRIM | DESCRIPTION |
|------|-------------|-----|------|--------|------|--------|-------|------|---|
| | 04724645AA | 1 | | | | | | | Left |
| 26 | | | | | | | | | LINK, Key Cylinder To Latch |
| | 04724642AA | 1 | | | | | | | Right |
| | 04724643AA | 1 | | | | | | | Left |
| 27 | 06033876 | 6 | | | | | | | SCREW, Tapping, M6.3x1.8x38.1 |
| 28 | 55075483 | AR | | | | | | | SPACER, Door Latch Striker, 2.0/2.5 THICK |
| 29 | 04780259 | 2 | | | | | | | STRIKER, Door |
| 30 | 06503120 | 8 | | | | | | | SCREW AND WASHER, Button Head Torx |
| 31 | 05067052AA | 2 | | | | | | | STRIKER, Door Impact, Impact Beam attaching |
| -32 | 05027501AA | 2 | | | | | | | SEAL, Insulator, Striker |

PT CRUISER (PT)

SERIES LINE
H = HIGHLINE Z = CHRYSLER (RHD)
C = CHRYSLER, LHD

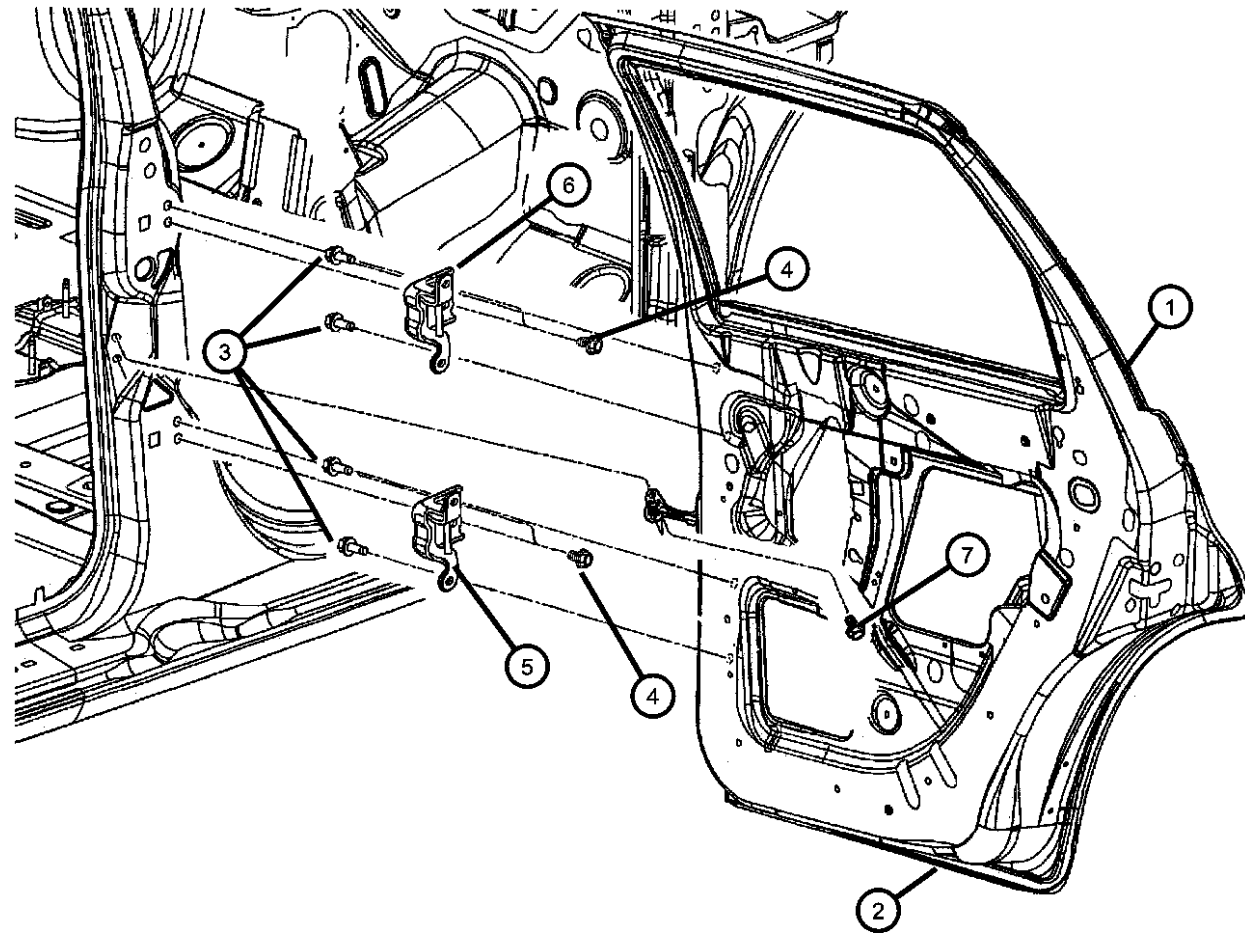
BODY
44 = Four Door

ENGINE TRANSMISSION
ECC = ENGINE - 2.0L 4 CYL DOHC 16V SMPI DGL = TRANSMISSION - 4-SPD. AUTOMATIC, 41TE
EDZ = ENGINE - 2.4L 4 CYL DOHC 16V SMPI DD5 = TRANSMISSION - 5-SPEED MANUAL
DDO = All Manual Transmissions
DGO = All Automatics

AR = use ase required - = Non illustrated part

2001 PT

Door, Rear
Figure DPT-205



| ITEM | PART NUMBER | QTY | LINE | SERIES | BODY | ENGINE | TRANS | TRIM | DESCRIPTION |
|------|-------------|-----|------|--------|------|--------|-------|------|--|
| 1 | 05015896AA | 1 | | | | | | | DOOR, Rear |
| | 05015897AA | 1 | | | | | | | Door Assembly, Right |
| | 05015897AA | 1 | | | | | | | Door Assembly, Left |
| 2 | 04724834AA | 1 | | | | | | | DOOR, Rear |
| | 04724835AA | 1 | | | | | | | Repair Panel, Right |
| | 04724835AA | 1 | | | | | | | Repair Panel, Left |
| 3 | 06505622AA | 4 | | | | | | | SCREW, Hex Head, Hinge to Ctr Plr Hgr Reinf Lwr |
| 4 | 06505598AA | 2 | | | | | | | SCREW AND WASHER, Hex Head Pilot Point, M8x1.25x27, Hinge to Ctr Plr Hgr Reinf Upper |
| 5 | 05257976AA | 1 | | | | | | | HINGE, Rear DoorUpper Right, Lower Left |
| 6 | 05257977AA | 1 | | | | | | | HINGE, Rear DoorLower Right, Upper Left |
| 7 | 05257977AA | 1 | | | | | | | SCREW AND WASHER, M6x1.00x25.00, (NOT SERVICED) |
| -8 | 02895126 | 2 | | | | | | | PLUG, Body, 1.25x.50, E-Coat Drain |

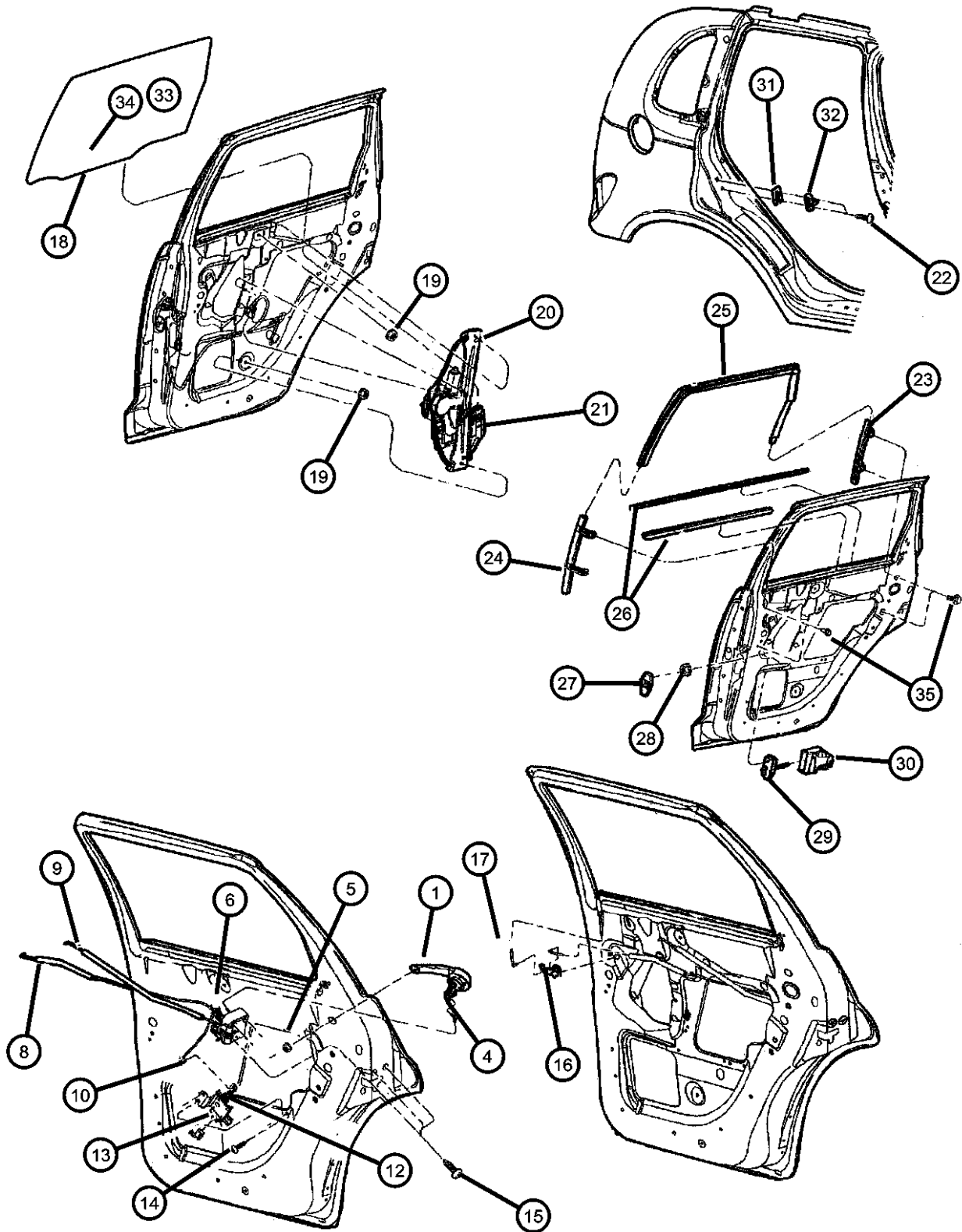
PT CRUISER (PT)

| | | | | |
|--------------|---|----------------|--|--|
| SERIES | LINE | BODY | ENGINE | TRANSMISSION |
| H = HIGHLINE | Z = CHRYSLER (RHD) C = CHRYSLER, LHD | 44 = Four Door | ECC = ENGINE - 2.0L 4 CYL DOHC 16V SMPI EDZ = ENGINE - 2.4L 4 CYL DOHC 16V SMPI | DGL = TRANSMISSION - 4-SPD. AUTOMATIC, 41TE DD5 = TRANSMISSION - 5-SPEED MANUAL DDO = All Manual Transmissions DGO = All Automatics |

AR = use ase required - = Non illustrated part

2001 PT

Door, Rear
Figure DPT-207



| ITEM | PART NUMBER | QTY | LINE | SERIES | BODY | ENGINE | TRANS | TRIM | DESCRIPTION |
|------|-------------|-----|------|--------|------|--------|-------|------|--|
| 1 | 04724914AD | 1 | | | | | | | HANDLE, Rear Door Exterior Vehicles built Up To 5-1-00 also order Link 4724646AB, Right |
| | 04724915AD | 1 | | | | | | | Vehicles built Up To 5-1-00 also order Link 4724646AB, Left |
| -2 | | | | | | | | | HANDLE, Door Interior, When replacing Handle also order Item #3 attaching Screws |
| | 0RH34MF1AA | 1 | | | | | | | Right |
| | 0RH35MF1AA | 1 | | | | | | | Left |
| -3 | 06036290AA | 5 | | | | | | | SCREW, Tapping |
| 4 | | | | | | | | | LINK, Outside Handle To Latch, Rear Door |
| | 04724646AA | 2 | | | | | | | Up To 5-1-00 |
| | 04724646AB | 2 | | | | | | | After 5-1-00 |
| 5 | 06503226 | 4 | | | | | | | NUT, Hex Flange, M5x.8 |
| 6 | | | | | | | | | LATCH, Rear Door |
| | 05027074AB | 1 | | | | | | | Right |
| | 05027075AB | 1 | | | | | | | Left |
| -7 | 05278416AA | 2 | | | | | | | SCREW, Actuator to Latch |
| 8 | | | | | | | | | LINK AND SLEEVE, Rear Door Inside Remote to Latch |
| | 04724650AA | 1 | | | | | | | Right |
| | 04724651AA | 1 | | | | | | | Left |
| 9 | | | | | | | | | LINK, Inside handle To Latch, Rear Door |
| | 04724648AB | 1 | | | | | | | Right |
| | 04724649AB | 1 | | | | | | | Left |
| 10 | | | | | | | | | LINK, Latch Actuating |
| | 05027180AA | 1 | | | | | | | Right |
| | 05027181AA | 1 | | | | | | | Left |
| -11 | 04658448AC | 2 | | | | | | | CLIP, Latch |
| 12 | 04894069AA | 1 | | | | | | | MOTOR, Door Lock |
| 13 | 05027178AA | 1 | | | | | | | BRACKET, Door Lock Motor |
| 14 | 06504810AA | 4 | | | | | | | SCREW AND WASHER, Hex |
| 15 | 06033876 | 6 | | | | | | | SCREW, Tapping, M6.3x1.8x38.1 |
| 16 | | | | | | | | | BELLCRANK, Outside Door Handle |

PT CRUISER (PT)

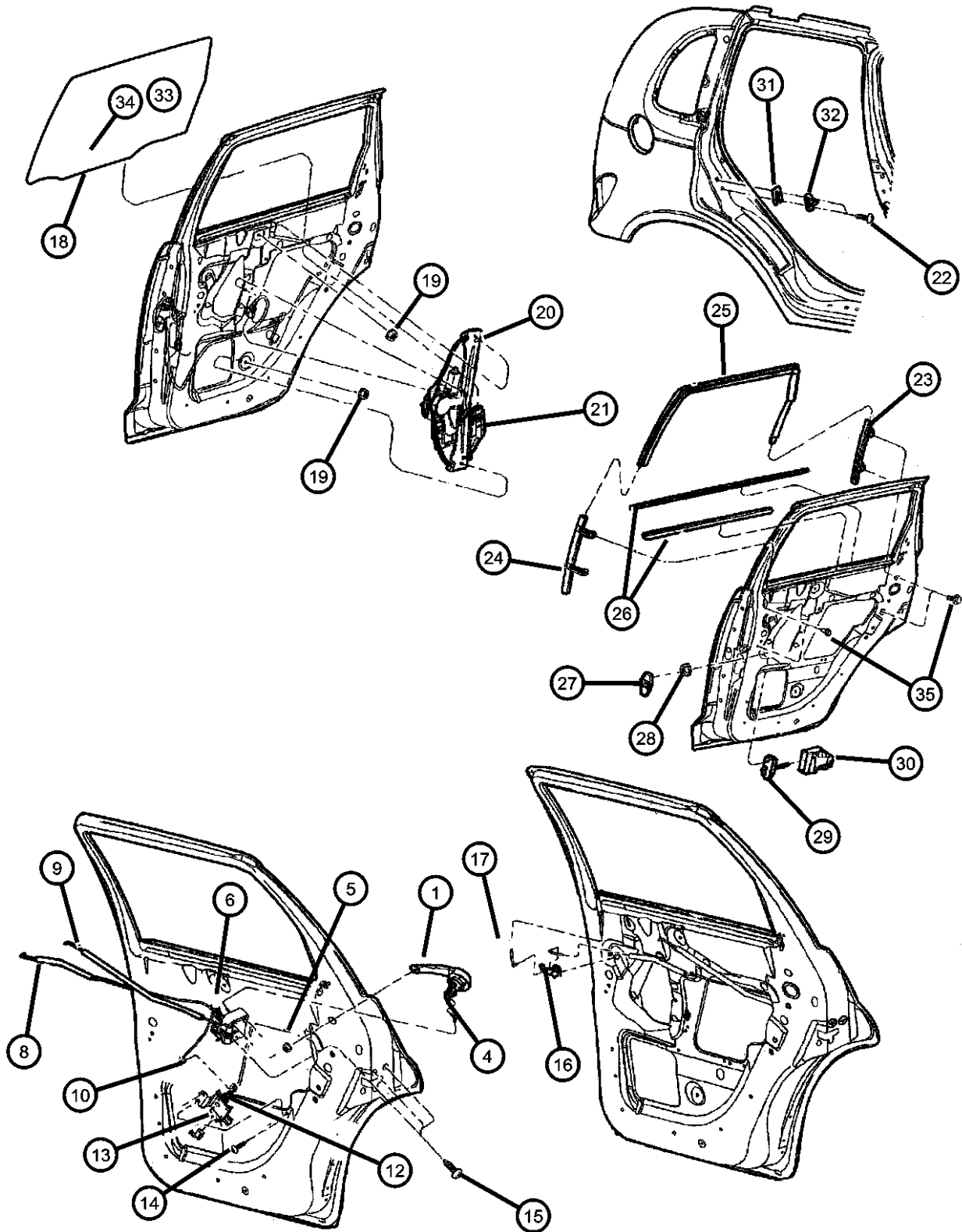
SERIES LINE BODY
H = HIGHLINE Z = CHRYSLER (RHD) 44 = Four Door
C = CHRYSLER, LHD

ENGINE TRANSMISSION
ECC = ENGINE - 2.0L 4 CYL DOHC 16V SMPI DGL = TRANSMISSION - 4-SPD. AUTOMATIC, 41TE
EDZ = ENGINE - 2.4L 4 CYL DOHC 16V SMPI DD5 = TRANSMISSION - 5-SPEED MANUAL
DDO = All Manual Transmissions
DGO = All Automatics

AR = use ase required - = Non illustrated part

2001 PT

Door, Rear
Figure DPT-207



| ITEM | PART NUMBER | QTY | LINE | SERIES | BODY | ENGINE | TRANS | TRIM | DESCRIPTION |
|------|-------------|-----|------|--------|------|--------|-------|------|---|
| | 55256722 | 1 | | | | | | | Right |
| | 55256723 | 1 | | | | | | | Left |
| 17 | 0RH44MF1AC | 2 | | | | | | | KNOB AND PUSH ROD, Door Latch |
| 18 | | | | | | | | | GLASS, Rear Door |
| | 04724550AA | 1 | | | | | | | Solar [GAM], Right |
| | DD09704GTN | | | | | | | | Collision Replacement Glass |
| | 04724551AA | 1 | | | | | | | Solar [GAM], Left |
| | DD09705GTN | | | | | | | | Collision Replacement Glass |
| | 04724962AA | 1 | | | | | | | Sunscreen [GEG], Right |
| | DD09704YPN | | | | | | | | Collision Replacement Glass |
| | 04724963AA | 1 | | | | | | | Sunscreen [GEG], Left |
| | DD09705YPN | | | | | | | | Collision Replacement Glass |
| 19 | 06100047 | 1 | | | | | | | NUT AND WASHER, Hex Nut-Coned Washer, M6 x 1.00 |
| 20 | | | | | | | | | REGULATOR, Rear Door Window |
| | 05017812AB | 1 | | | | | | | Right |
| | 05017813AB | 1 | | | | | | | Left |
| 21 | | | | | | | | | MOTOR, Window Regulator |
| | 05017814AA | 1 | | | | | | | Right |
| | 05017815AA | 1 | | | | | | | Left |
| 22 | 06503120 | 8 | | | | | | | SCREW AND WASHER, Button Head Torx |
| 23 | | | | | | | | | CHANNEL, Rear Door Glass Lower, Rear |
| | 05027344AA | 1 | | | | | | | Right |
| | 05027345AA | 1 | | | | | | | Left |
| 24 | | | | | | | | | CHANNEL, Rear Door Glass Lower, Front |
| | 05027056AA | 1 | | | | | | | Right |
| | 05027057AA | 1 | | | | | | | Left |
| 25 | | | | | | | | | WEATHERSTRIP, Rear Door Glass Run |
| | 04724778AB | 1 | | | | | | | Right |
| | 04724779AB | 1 | | | | | | | Left |
| 26 | | | | | | | | | WEATHERSTRIP, Rear Door Belt |
| | 04724782AA | 1 | | | | | | | Right |

PT CRUISER (PT)

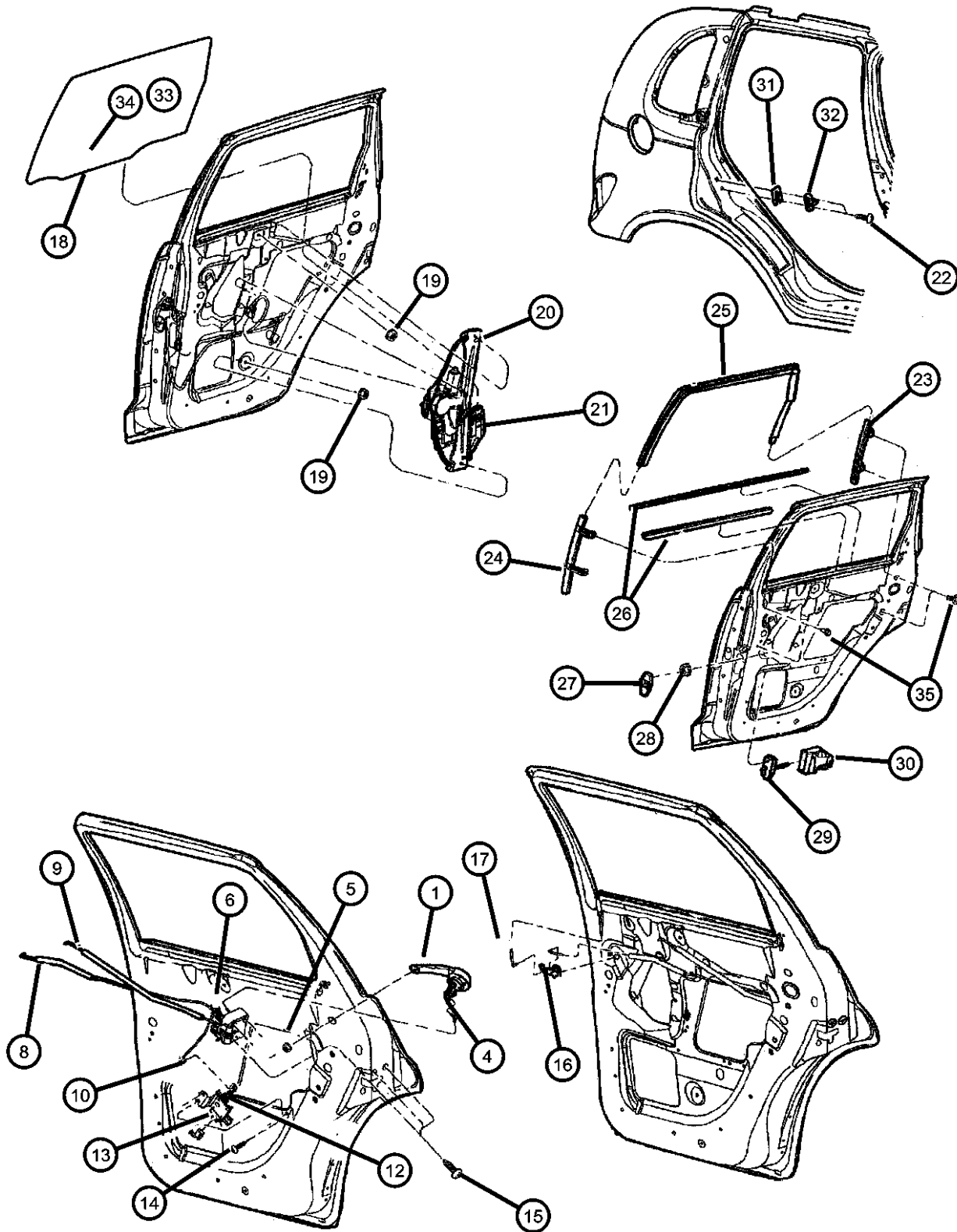
SERIES LINE BODY
H = HIGHLINE Z = CHRYSLER (RHD) 44 = Four Door
C = CHRYSLER, LHD

ENGINE TRANSMISSION
ECC = ENGINE - 2.0L 4 CYL DOHC 16V SMPI DGL = TRANSMISSION - 4-SPD. AUTOMATIC, 41TE
EDZ = ENGINE - 2.4L 4 CYL DOHC 16V SMPI DD5 = TRANSMISSION - 5-SPEED MANUAL
DDO = All Manual Transmissions
DGO = All Automatics

AR = use ase required - = Non illustrated part

2001 PT

Door, Rear
Figure DPT-207



| ITEM | PART NUMBER | QTY | LINE | SERIES | BODY | ENGINE | TRANS | TRIM | DESCRIPTION |
|------|-------------|-----|------|--------|------|--------|-------|------|--|
| | 04724783AA | 1 | | | | | | | Left |
| 27 | 05027020AA | 2 | | | | | | | SEAL, Door Check |
| 28 | 06503504 | 4 | | | | | | | NUT AND WASHER, Hex, M6x1 |
| 29 | 04724850AA | 2 | | | | | | | CHECK, Rear Door |
| 30 | | | | | | | | | COVER, Check Rod |
| | 05027126AA | 1 | | | | | | | Right |
| | 05027127AA | 1 | | | | | | | Left |
| 31 | 04520289 | AR | | | | | | | SPACER, Door Latch Striker |
| 32 | 04780259 | 2 | | | | | | | STRIKER, Door |
| 33 | | | | | | | | | LABEL, Child Protection Lock, English Window |
| | 04396978 | 2 | | | | | | | Door |
| | 05056072AA | 2 | | | | | | | Door |
| 34 | 05056004AA | 2 | | | | | | | LABEL, Child Protection Lock, French |
| 35 | 06506256AA | 2 | | | | | | | SCREW AND WASHER, Hex Head, M6x1x20 |

PT CRUISER (PT)

SERIES LINE
H = HIGHLINE Z = CHRYSLER (RHD)
C = CHRYSLER, LHD

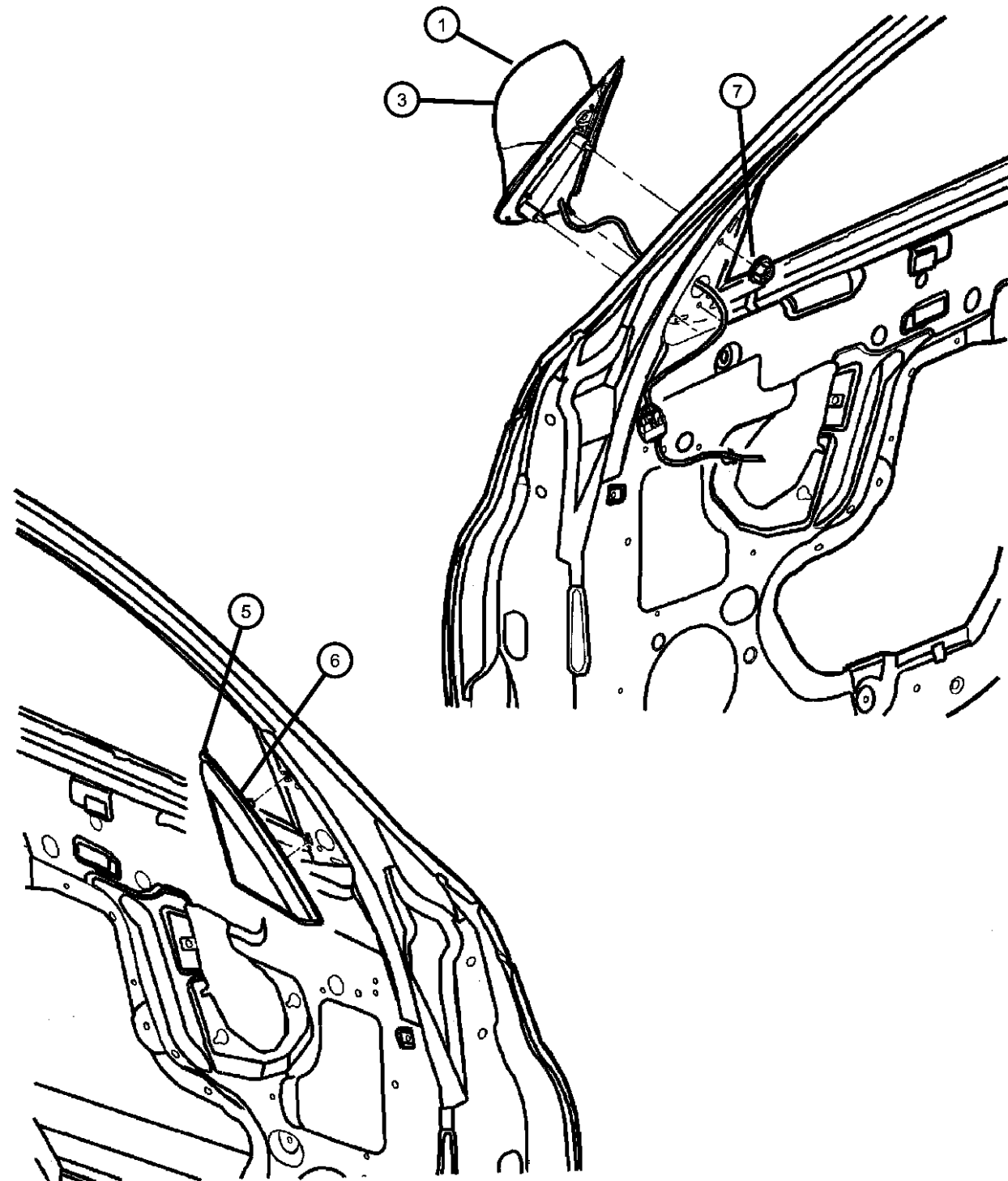
BODY
44 = Four Door

ENGINE TRANSMISSION
ECC = ENGINE - 2.0L 4 CYL DOHC 16V SMPI
EDZ = ENGINE - 2.4L 4 CYL DOHC 16V SMPI
DGL = TRANSMISSION - 4-SPD. AUTOMATIC, 41TE
DD5 = TRANSMISSION - 5-SPEED MANUAL
DDO = All Manual Transmissions
DGO = All Automatics

AR = use ase required - = Non illustrated part

2001 PT

Mirrors, Exterior
Figure DPT-505



| ITEM | PART NUMBER | QTY | LINE | SERIES | BODY | ENGINE | TRANS | TRIM | DESCRIPTION |
|------|-------------|-----|------|--------|------|--------|-------|------|-------------|
|------|-------------|-----|------|--------|------|--------|-------|------|-------------|

NOTE:
Sales Code:
GTE = Manual, Remote Control
GTS = Power Heated, Fold-Away
GT5 = Power Heated Retractable - EXPORT

| | | | | | | | | | |
|----|------------|---|---|--|--|--|--|--|---|
| 1 | | | | | | | | | MIRROR, Outside Rearview Electric Foldaway |
| | 04724656AB | 1 | | | | | | | [GTS], Right |
| | 04724657AB | 1 | | | | | | | [GTS], Left |
| | 04724664AB | 1 | Z | | | | | | [GT5], Right |
| | 04724665AB | 1 | Z | | | | | | [GT5], Left |
| -2 | | | | | | | | | GLASS, Mirror Replacement |
| | 05018300AA | 1 | | | | | | | [GTS], Right |
| | 05018301AA | 1 | | | | | | | [GTS], Left |
| | 05018302AA | 1 | Z | | | | | | [GT5], Right |
| | 05018303AA | 1 | Z | | | | | | [GT5], Left |
| 3 | | | | | | | | | MIRROR, Outside Rearview |
| | 04724654AB | 1 | C | | | | | | [GTE], Right |
| | 04724655AB | 1 | C | | | | | | [GTE], Left |
| -4 | | | | | | | | | GLASS, Mirror Replacement |
| | 05018298AA | 1 | C | | | | | | [GTE], Right |
| | 05018299AA | 1 | C | | | | | | [GTE], Left |
| 5 | | | | | | | | | BEZEL, Remote Control Mirror |
| | 0RH28MF1AB | 1 | C | | | | | | [GTE], Right |
| | 0RH29MF1AB | 1 | C | | | | | | [GTE], Left |
| 6 | | | | | | | | | BEZEL, Power Mirror |
| | 0RH30MF1AA | 1 | | | | | | | [GTS,GT5], Right |
| | 0RH31MF1AA | 1 | | | | | | | [GTS,GT5], Left |
| 7 | 06100045 | 6 | | | | | | | NUT AND WASHER, Hex, M5x.80 |

PT CRUISER (PT)

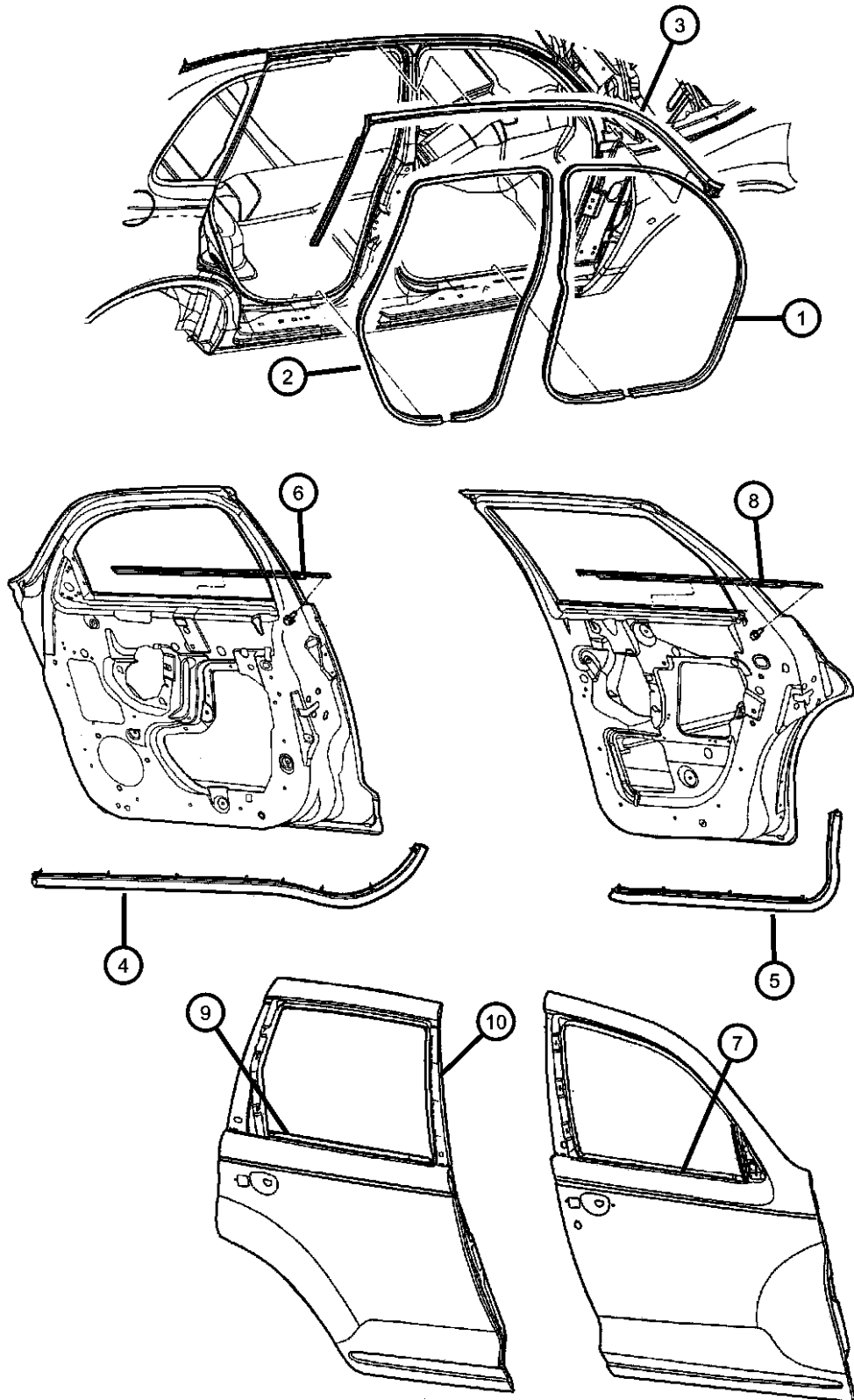
| | | | | |
|--------------|---|----------------|--|--|
| SERIES | LINE | BODY | ENGINE | TRANSMISSION |
| H = HIGHLINE | Z = CHRYSLER (RHD) C = CHRYSLER, LHD | 44 = Four Door | ECC = ENGINE - 2.0L 4 CYL DOHC 16V SMPI EDZ = ENGINE - 2.4L 4 CYL DOHC 16V SMPI | DGL = TRANSMISSION - 4-SPD. AUTOMATIC, 41TE DD5 = TRANSMISSION - 5-SPEED MANUAL DDO = All Manual Transmissions DGO = All Automatics |

AR = use ase required - = Non illustrated part

2001 PT

Weatherstrips and Seals
Figure DPT-605

| ITEM | PART NUMBER | QTY | LINE | SERIES | BODY | ENGINE | TRANS | TRIM | DESCRIPTION |
|------|-------------|-----|------|--------|------|--------|-------|------|-------------|
|------|-------------|-----|------|--------|------|--------|-------|------|-------------|



| | | | | | | | | | |
|----|------------|---|--|--|--|--|--|--|---------------------------------------|
| 1 | | | | | | | | | WEATHERSTRIP, Front Door Opening |
| | 0TM62WL8AB | 1 | | | | | | | Right |
| | 0TM63WL8AB | 1 | | | | | | | Left |
| 2 | | | | | | | | | WEATHERSTRIP, Rear Door Opening |
| | 04724788AA | 1 | | | | | | | Right |
| | 04724789AA | 1 | | | | | | | Left |
| 3 | | | | | | | | | WEATHERSTRIP, Door Upper Secondary |
| | 04724784AB | 1 | | | | | | | Right |
| | 04724785AB | 1 | | | | | | | Left |
| 4 | | | | | | | | | WEATHERSTRIP, Sill Front Secondary |
| | 04724768AB | 1 | | | | | | | Right |
| | 04724769AB | 1 | | | | | | | Left |
| 5 | | | | | | | | | WEATHERSTRIP, Sill Rear Secondary |
| | 04724770AB | 1 | | | | | | | Right |
| | 04724771AB | 1 | | | | | | | Left |
| 6 | | | | | | | | | WEATHERSTRIP, Front Door Belt, Inner |
| | 04724764AB | 1 | | | | | | | Right |
| | 04724765AB | 1 | | | | | | | Left |
| 7 | | | | | | | | | WEATHERSTRIP, Front Door Belt, Outer |
| | 04724780AB | 1 | | | | | | | Right |
| | 04724781AB | 1 | | | | | | | Left |
| 8 | | | | | | | | | WEATHERSTRIP, Rear Door Belt, Inner |
| | 04724766AB | 1 | | | | | | | Right |
| | 04724767AB | 1 | | | | | | | Left |
| 9 | | | | | | | | | WEATHERSTRIP, Rear Door Belt, Outer |
| | 04724782AB | 1 | | | | | | | Right |
| | 04724783AB | 1 | | | | | | | Left |
| 10 | | | | | | | | | APPLIQUE, B Pillar, With Weatherstrip |
| | 05288838AB | 1 | | | | | | | Right |
| | 05288839AB | 1 | | | | | | | Left |

PT CRUISER (PT)

SERIES LINE
H = HIGHLINE Z = CHRYSLER (RHD)
C = CHRYSLER, LHD

BODY
44 = Four Door

ENGINE TRANSMISSION
ECC = ENGINE - 2.0L 4 CYL DOHC 16V SMPI DGL = TRANSMISSION - 4-SPD. AUTOMATIC, 41TE
EDZ = ENGINE - 2.4L 4 CYL DOHC 16V SMPI DD5 = TRANSMISSION - 5-SPEED MANUAL
DDO = All Manual Transmissions
DGO = All Automatics

AR = use ase required - = Non illustrated part

2001 PT

Group - EPT

Exterior Ornamentation

Group - EPT Exterior Ornamentation

Illustration Title

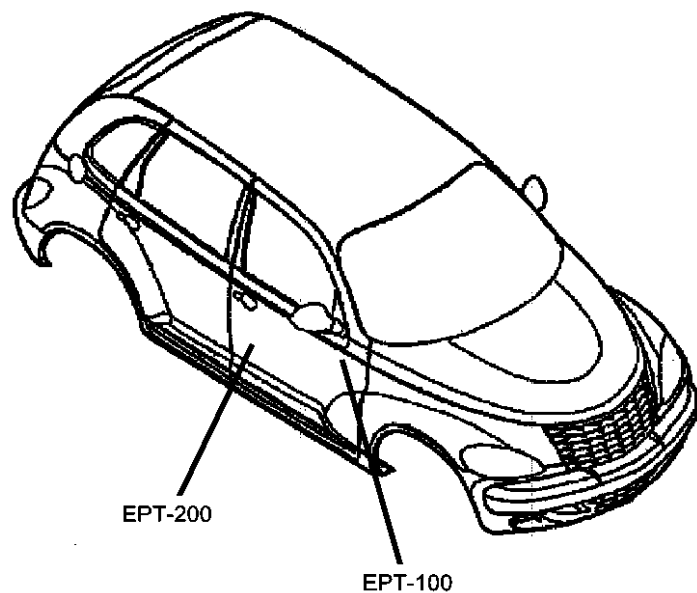
Group-Fig. No.

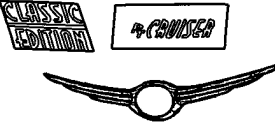
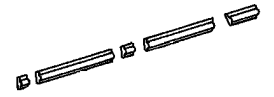
Nameplates

NameplatesFig. EPT - 110

Moldings and Ornamentation

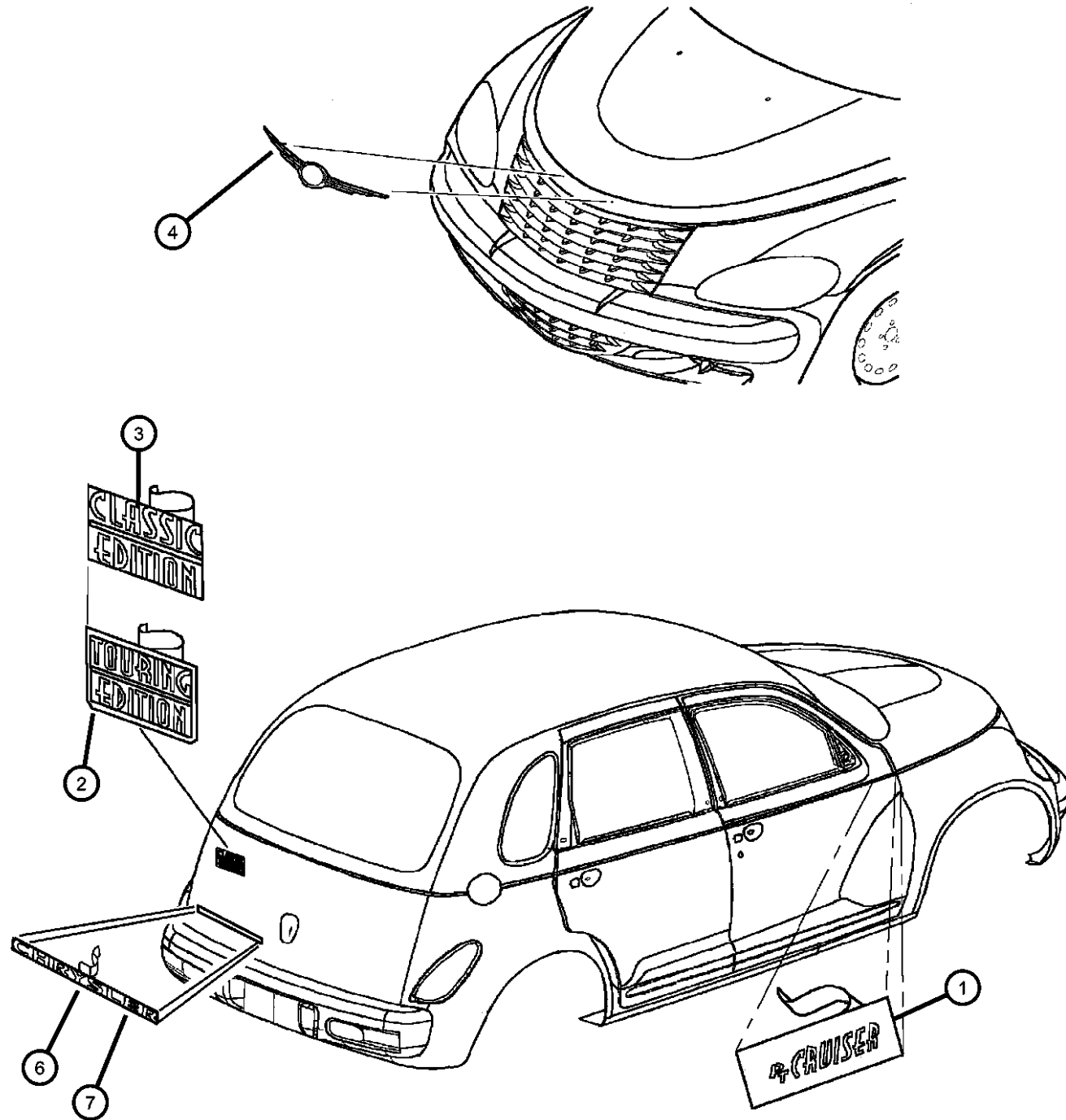
Moldings and Ornamentation Fig. EPT - 210



| | | | |
|---|--|--|--|
| <p>EPT-100 Nameplates</p>  | <p>EPT-200 Moldings and Ornamentation</p>  | | |
|---|--|--|--|

Nameplates
Figure EPT-110

| ITEM | PART NUMBER | QTY | LINE | SERIES | BODY | ENGINE | TRANS | TRIM | DESCRIPTION |
|------|-------------|-----|------|--------|------|--------|-------|------|--|
| 1 | 05288988AA | 2 | | | | | | | NAMEPLATE, PT CRUISER Up To 5-22-00, Front Door |
| | 05303514AA | 2 | | | | | | | After 5-22-00, Front Door |
| 2 | 05303433AA | 1 | | | | | | | NAMEPLATE, Liftgate, Touring Edition Up To 5-22-00 |
| | 05303509AA | 1 | | | | | | | After 5-22-00 |
| 3 | 05303451AA | 1 | | | | | | | NAMEPLATE, Liftgate, Classic Edition Up To 5-22-00 |
| | 05303512AA | 1 | | | | | | | After 5-22-00 |
| 4 | 05288986AB | 1 | | | | | | | NAMEPLATE, ChryslerHood |
| -5 | 06100838 | 2 | | | | | | | NUT |
| 6 | 05303465AA | 1 | | | | | | | NAMEPLATE, Liftgate, Limited Edition Up To 5-22-00 |
| | 05303513AA | 1 | | | | | | | After 5-22-00 |
| 7 | 05303523AA | 1 | | | | | | | NAMEPLATE, Chrysler |



PT CRUISER (PT)

SERIES LINE
H = HIGHLINE Z = CHRYSLER (RHD)
 C = CHRYSLER, LHD

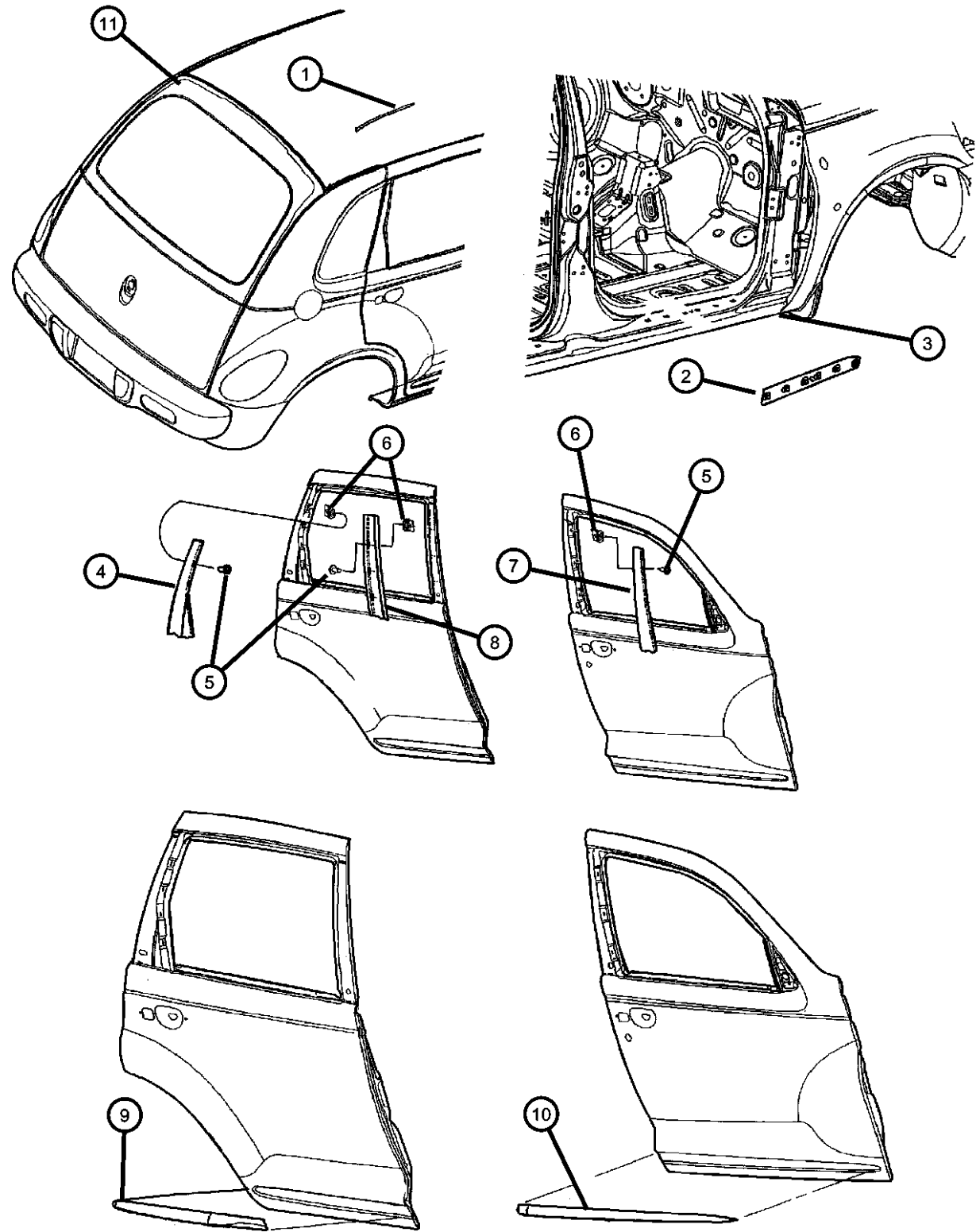
BODY
44 = Four Door

ENGINE TRANSMISSION
ECC = ENGINE - 2.0L 4 CYL DGL = TRANSMISSION - 4-SPD.
DOHC 16V SMPI AUTOMATIC, 41TE
EDZ = ENGINE - 2.4L 4 CYL DD5 = TRANSMISSION - 5-SPEED
DOHC 16V SMPI MANUAL
DDO = All Manual Transmissions
DGO = All Automatics

AR = use ase required - = Non illustrated part

2001 PT

**Mouldings and Ornamentation
Figure EPT-210**



| ITEM | PART NUMBER | QTY | LINE | SERIES | BODY | ENGINE | TRANS | TRIM | DESCRIPTION |
|------|-------------|-----|------|--------|------|--------|-------|------|--------------------------------|
| 1 | | | | | | | | | MOLDING, Roof |
| | 0SN32DX8AB | 1 | | | | | | | [X8], Right |
| | 0SN32SW1AB | 1 | | | | | | | [W1], Right |
| | 0SN32TTKAB | 1 | | | | | | | [TK], Right |
| | 0SN32VMTAB | 1 | | | | | | | [MT], Right |
| | 0SN32WB7AB | 1 | | | | | | | [B7], Right |
| | 0SN32WE-LAB | 1 | | | | | | | [EL], Right |
| | 0SN32WS2AB | 1 | | | | | | | [S2], Right |
| | 0SN32XGRAB | 1 | | | | | | | [GR], Right |
| | 0SN32XQWAB | 1 | | | | | | | [QW], Right |
| | 0SN32YY6AC | 1 | | | | | | | [Y6], Right |
| | 0SN33DX8AB | 1 | | | | | | | [X8], Left |
| | 0SN33SW1AB | 1 | | | | | | | [W1], Left |
| | 0SN33TTKAB | 1 | | | | | | | [TK], Left |
| | 0SN33VMTAB | 1 | | | | | | | [MT], Left |
| | 0SN33WB7AB | 1 | | | | | | | [B7], Left |
| | 0SN33WE-LAB | 1 | | | | | | | [EL], Left |
| | 0SN33WS2AB | 1 | | | | | | | [S2], Left |
| | 0SN33XGRAB | 1 | | | | | | | [GR], Left |
| | 0SN33XQWAB | 1 | | | | | | | [QW], Left |
| | 0SN33YY6AB | 1 | | | | | | | [Y6], Left |
| 2 | | | | | | | | | COVER, Sill |
| | 0SF34DX9AA | 1 | | | | | | | Right |
| | 0SF35DX9AA | 1 | | | | | | | Left |
| 3 | | | | | | | | | TAPE, Anti Chip |
| | 05067086AA | 1 | | | | | | | Right |
| | 05067087AA | 1 | | | | | | | Left |
| 4 | | | | | | | | | APPLIQUE, C Pillar |
| | 05288840AB | 1 | | | | | | | Right |
| | 05288841AB | 1 | | | | | | | Left |
| 5 | 06036170AA | 6 | | | | | | | SCREW, .164-18x.500 |
| 6 | 06036042AA | 20 | | | | | | | NUT/SPRING, Snap In, .164-18 |
| 7 | | | | | | | | | APPLIQUE, B Pillar, Front Door |

PT CRUISER (PT)

SERIES LINE
 H = HIGHLINE Z = CHRYSLER (RHD)
 C = CHRYSLER, LHD

BODY
 44 = Four Door

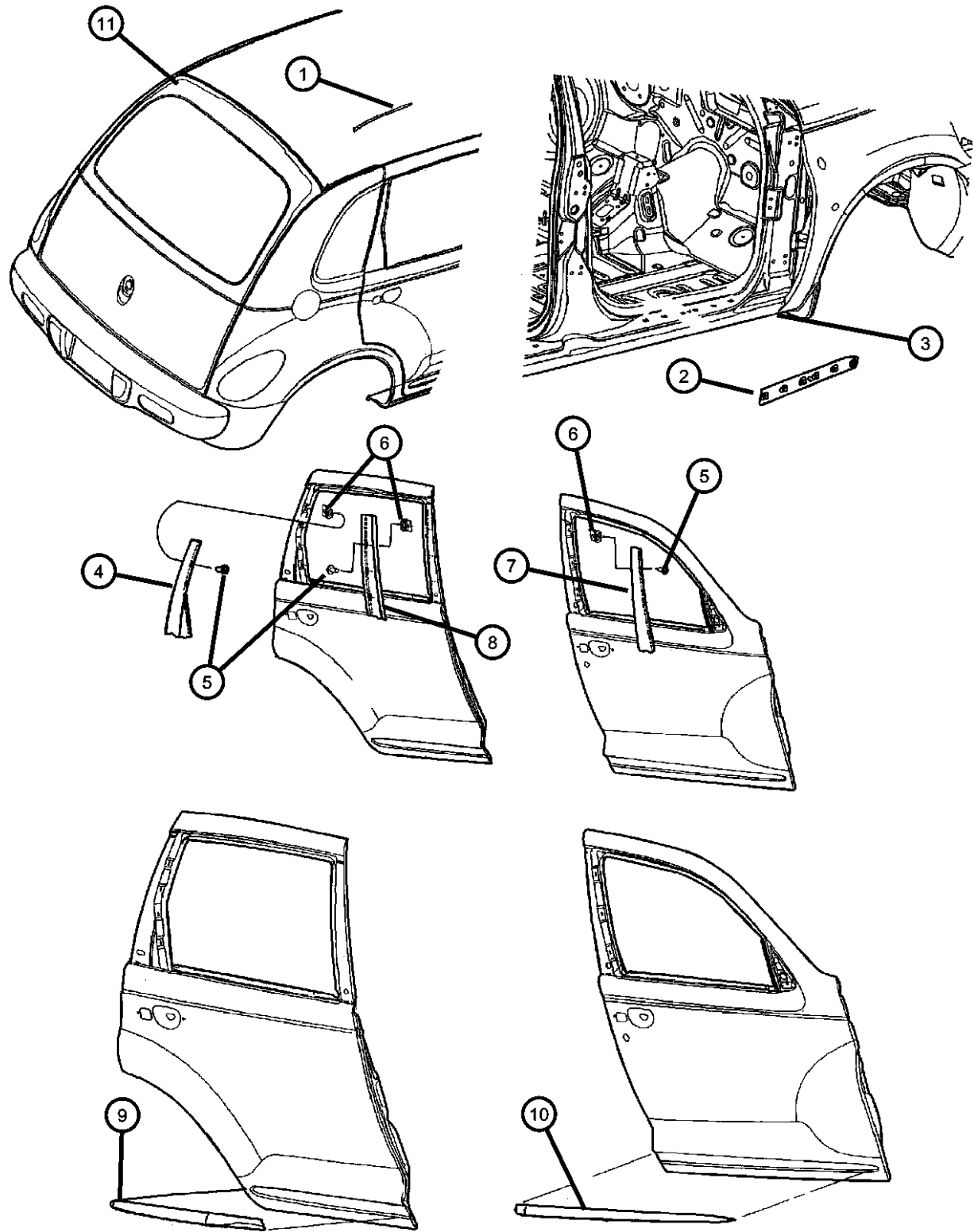
ENGINE
 ECC = ENGINE - 2.0L 4 CYL
 DOHC 16V SMPI
 EDZ = ENGINE - 2.4L 4 CYL
 DOHC 16V SMPI

TRANSMISSION
 DGL = TRANSMISSION - 4-SPD.
 AUTOMATIC, 41TE
 DD5 = TRANSMISSION - 5-SPEED
 MANUAL
 DDO = All Manual Transmissions
 DGO = All Automatics

AR = use ase required - = Non illustrated part

2001 PT

Mouldings and Ornamentation
Figure EPT-210



| ITEM | PART NUMBER | QTY | LINE | SERIES | BODY | ENGINE | TRANS | TRIM | DESCRIPTION |
|------|-------------|-----|------|--------|------|--------|-------|------|--|
| | 05288836AB | 1 | | | | | | | Right |
| | 05288837AB | 1 | | | | | | | Left |
| 8 | | | | | | | | | APPLIQUE, B Pillar, Rear Door, includes Weatherstrip |
| | 05288838AB | 1 | | | | | | | Right |
| | 05288839AB | 1 | | | | | | | Left |
| 9 | | | | | | | | | MOLDING, Rear Door |
| | 0RV18DX8AA | 2 | | | | | | | [K5X] |
| | 0RV18SW1AA | 2 | | | | | | | [K5W] |
| | 0RV18TTKAA | 2 | | | | | | | [K5A] |
| | 0RV18VMTAA | 2 | | | | | | | [K5B] |
| | 0RV18WB7AA | 2 | | | | | | | [K5H] |
| | 0RV18WE-LAA | 2 | | | | | | | [K5R] |
| | 0RV18WS2AA | 2 | | | | | | | [K5D] |
| | 0RV18XGRAA | 2 | | | | | | | [K5E] |
| | 0RV18XQWAA | 2 | | | | | | | [K5G] |
| | 0RV18YY6AA | 2 | | | | | | | [K5Y] |
| 10 | | | | | | | | | MOLDING, Front Door |
| | 0RV16DX8AB | 2 | | | | | | | [K5X] |
| | 0RV16SW1AB | 2 | | | | | | | [K5W] |
| | 0RV16TTKAB | 2 | | | | | | | [K5A] |
| | 0RV16VMTAB | 2 | | | | | | | [K5B] |
| | 0RV16WB7AB | 2 | | | | | | | [K5H] |
| | 0RV16WE-LAB | 2 | | | | | | | [K5R] |
| | 0RV16WS2AB | 2 | | | | | | | [K5D] |
| | 0RV16XGRAB | 2 | | | | | | | [K5E] |
| | 0RV16XQWAB | 2 | | | | | | | [K5G] |
| | 0RV16YY6AB | 2 | | | | | | | [K5Y] |
| 11 | 05288807AA | 1 | | | | | | | MOLDING, Liftgate Glass |

PT CRUISER (PT)

SERIES LINE
H = HIGHLINE Z = CHRYSLER (RHD)
C = CHRYSLER, LHD

BODY
44 = Four Door

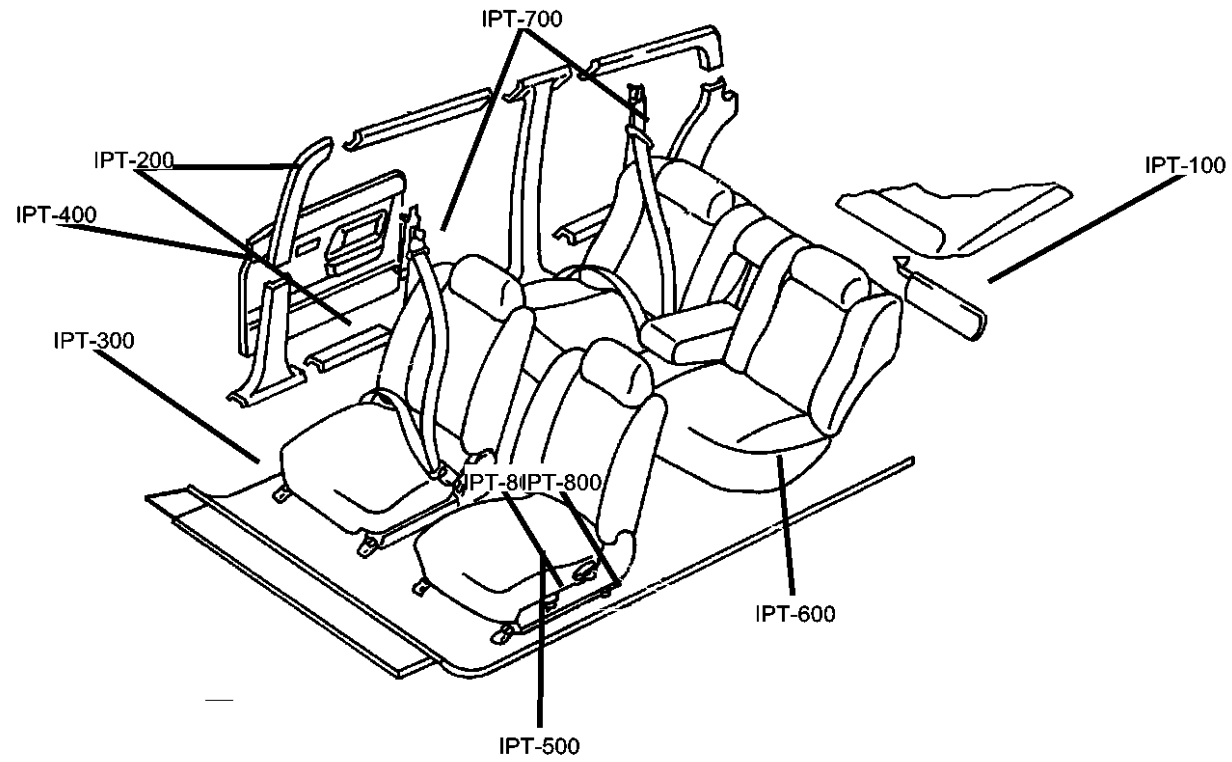
ENGINE TRANSMISSION
ECC = ENGINE - 2.0L 4 CYL DOHC 16V SMPI DGL = TRANSMISSION - 4-SPD. AUTOMATIC, 41TE
EDZ = ENGINE - 2.4L 4 CYL DOHC 16V SMPI DD5 = TRANSMISSION - 5-SPEED MANUAL
DDO = All Manual Transmissions
DGO = All Automatics

AR = use ase required - = Non illustrated part

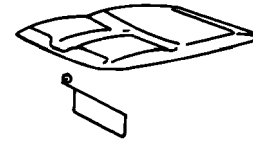
2001 PT

Group - IPT

Interior Trim



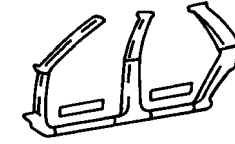
IPT-100
Headliner and Visor



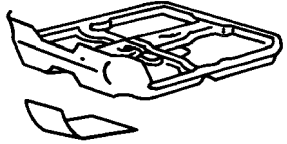
IPT-1000
Lift Gate Trim



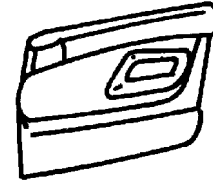
IPT-200
Panel, Moldings, Scuff Plates



IPT-300
Carpet



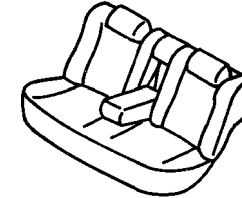
IPT-400
Door Trim Panels



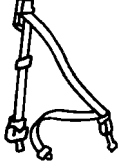
IPT-500
Front Seats and Attaching Parts



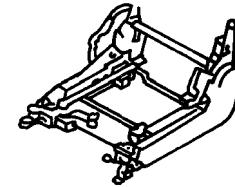
IPT-600
Rear Seats-Folding



IPT-700
Seat Belts-Front and Rear



IPT-800
Adjusters, Covers, Shields, and Risers



Group - IPT Interior Trim

| Illustration Title | Group-Fig. No. |
|---|-----------------|
| Headliner and Visor | |
| Headliner and Visor | Fig. IPT - 110 |
| Panel, Moldings, Scuff Plates | |
| Cowl Panels | Fig. IPT - 210 |
| A - Pillar | Fig. IPT - 215 |
| B - Pillar | Fig. IPT - 220 |
| Quarter Trim Panel and Shelf Panel | Fig. IPT - 225 |
| Scuff Plates - Front and Rear | Fig. IPT - 230 |
| Carpet | |
| Carpet and Mats | Fig. IPT - 310 |
| Seat - Rear Attachments Floor Pan | Fig. IPT - 320 |
| Door Trim Panels | |
| Door Panels - Front | Fig. IPT - 410 |
| Door Panels - Rear | Fig. IPT - 420 |
| Front Seats and Attaching Parts | |
| Front Seat - Trim Code [R7] | Fig. IPT - 510 |
| Front Seat - Trim Code [GL] | Fig. IPT - 520 |
| Front Seat - Attaching Parts | Fig. IPT - 530 |
| Front Seat - Storage Bin | Fig. IPT - 540 |
| Rear Seats-Folding | |
| Rear Seat - Trim Code [R7] | Fig. IPT - 610 |
| Rear Seat - Trim Code [GL] | Fig. IPT - 620 |
| Seat Belts-Front and Rear | |
| Seat Belt - Front | Fig. IPT - 710 |
| Seat Belt - Rear | Fig. IPT - 720 |
| Adjusters, Covers, Shields, and Risers | |
| Recliners and Adjusters | Fig. IPT - 810 |
| Shields and Risers | Fig. IPT - 820 |
| Rear Seats Attaching Bolts | Fig. IPT - 830 |
| Seat - Rear Attaching Floor Pan | Fig. IPT - 840 |
| Lift Gate Trim | |
| Lifgate Panel and Scuff Plate | Fig. IPT - 1010 |

Headliner and Visor Figure IPT-110

| ITEM | PART NUMBER | QTY | LINE | SERIES | BODY | ENGINE | TRANS | TRIM | DESCRIPTION |
|------|-------------|-----|------|--------|------|--------|-------|------|-------------|
|------|-------------|-----|------|--------|------|--------|-------|------|-------------|

When Ordering Sunvisor For The Canada Market Also Order English/French Airbag Warning Label (5023355AA)

NOTE : Sales Codes

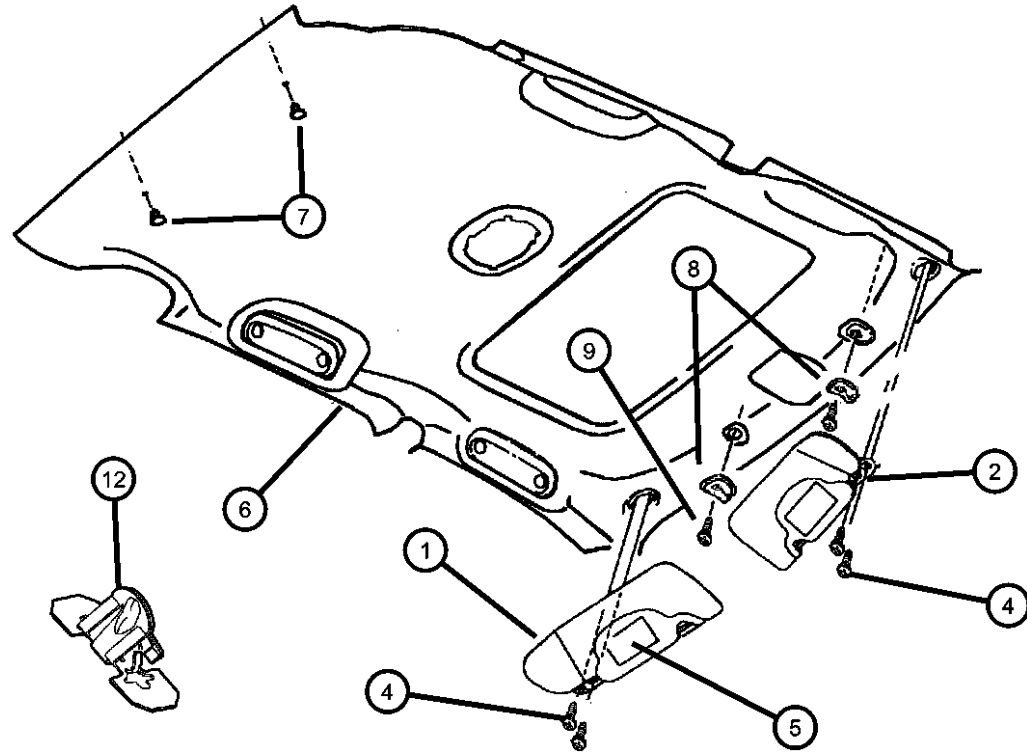
[CSV] = Assist Handles

[CUD] = Mini Console

[GNG] = Map Light Wiring

[GWA] = Sunroof

[LSC] = Premium Security Alarm



| | | | | | | | | | |
|-----|------------|---|--|--|---|--|--|--|--|
| 1 | 0TF83MF1AB | 1 | | | | | | | VISOR |
| | 0TF86MF1AB | 1 | | | | | | | *00 Neutral, With Covered Mirror, Left |
| | 0TF87MF1AB | 1 | | | | | | | *00 Neutral, Right, Illuminated Visor |
| | 0TF88MF1AA | 1 | | | | | | | *00 Neutral, Left, Illuminated Visor |
| | 0TF89MF1AB | 1 | | | | | | | *00 Neutral, With Sunroof, Right, Illuminated Visor |
| | 0TF89MF1AB | 1 | | | | | | | *00 Neutral, With Sunroof, Left, Illuminated Visor |
| 2 | 0TY82MF1AA | 1 | | | | | | | *00 VISOR, W/Mirror, Neutral, Right |
| -3 | | | | | | | | | VISOR, Illuminated |
| | 0TF86MF1AA | 1 | | | | | | | *00 [FL], Right |
| | 0TF87MF1AA | 1 | | | | | | | *00 [FL], Left |
| 4 | 06035324 | 2 | | | | | | | SCREW, .164-18x.75, Visor To Header Attaching |
| 5 | 06035324 | 2 | | | | | | | LABEL, Air Bag Warning, Serviced With Visor Only, (NOT SERVICED) |
| 6 | | | | | | | | | HEADLINER |
| | 0RY78MF1AA | 1 | | | | | | | *00 [FL], With [CUD], [CSV] and [LSC] |
| | 0UA80MF1AA | 1 | | | | | | | *00 [FL], With [CSV] |
| | 0UA81MF1AA | 1 | | | | | | | *00 [FL], With [CSV] and [LSC] |
| | 0UA82MF1AA | 1 | | | | | | | *00 [FL], With [CUD] and [CSV] |
| | 0UA85MF1AA | 1 | | | C | | | | *00 [FL], With [GNG] |
| | 0UA86MF1AA | 1 | | | C | | | | *00 [FL], Without [GNG] |
| | 0UA87MF1AA | 1 | | | | | | | *00 [FL], With [CSV], [LSC], [GWA], and [CUD] |
| | 0UA88MF1AA | 1 | | | | | | | *00 [FL], With [CSV], [GWA], [CUD] Without [LSC] |
| 7 | 0SN99MF1AA | 2 | | | | | | | *00 FASTENER, Headliner, Neutral |
| 8 | 0TF82MF1AA | 2 | | | | | | | *00 CLIP, Visor, Neutral |
| 9 | 0TF82MF1AA | 2 | | | | | | | SCREW, [.164-18x.500], (NOT SERVICED) |
| -10 | | | | | | | | | HANDLE, Roof Grab |

PT CRUISER (PT)

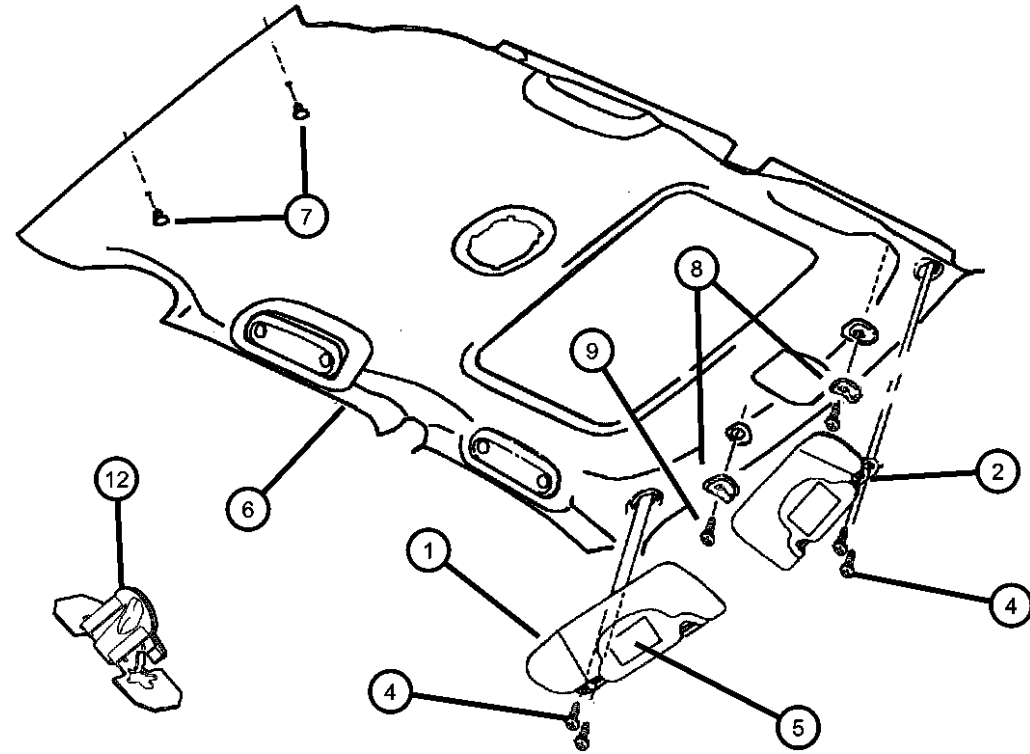
| | | | | |
|--------------|---|----------------|--|--|
| SERIES | LINE | BODY | ENGINE | TRANSMISSION |
| H = HIGHLINE | Z = CHRYSLER (RHD) C = CHRYSLER, LHD | 44 = Four Door | ECC = ENGINE - 2.0L 4 CYL DOHC 16V SMPI EDZ = ENGINE - 2.4L 4 CYL DOHC 16V SMPI | DGL = TRANSMISSION - 4-SPD. AUTOMATIC, 41TE DD5 = TRANSMISSION - 5-SPEED MANUAL DDO = All Manual Transmissions DGO = All Automatics |

AR = use ase required - = Non illustrated part

2001 PT

**Headliner and Visor
Figure IPT-110**

| ITEM | PART NUMBER | QTY | LINE | SERIES | BODY | ENGINE | TRANS | TRIM | DESCRIPTION |
|------|-------------|-----|------|--------|------|--------|-------|------|---|
| | 0QY62MF1AD | 2 | | | | | | *R7 | Neutral |
| | | 2 | | | | | | *GL | Neutral |
| -11 | 0QY66MF1AA | 1 | | | | | | *O0 | Neutral, With Coat Hook, Left, Rear |
| | 0QY67MF1AA | 1 | | | | | | *O0 | Neutral, With Coat Hook, Right, Rear |
| 12 | | | | | | | | | CLIP, Headlining |
| | 05023317AA | 2 | C | | | | | *O0 | Headliner To Roof Attaching Visor Support |
| | 05023515AA | 2 | C | | | | | *O0 | Headliner To Roof Attaching Coat Hook |
| | | 8 | | | | | | *O0 | Assist Handle Attaching |
| -13 | 05023355AA | 2 | C | | | | | | LABEL, Air Bag Warning, Canada Only, English/French |
| -14 | 0QY61MF1AA | 2 | C | | | | | *O0 | HOOK, Coat, Without Grab Handle |



PT CRUISER (PT)

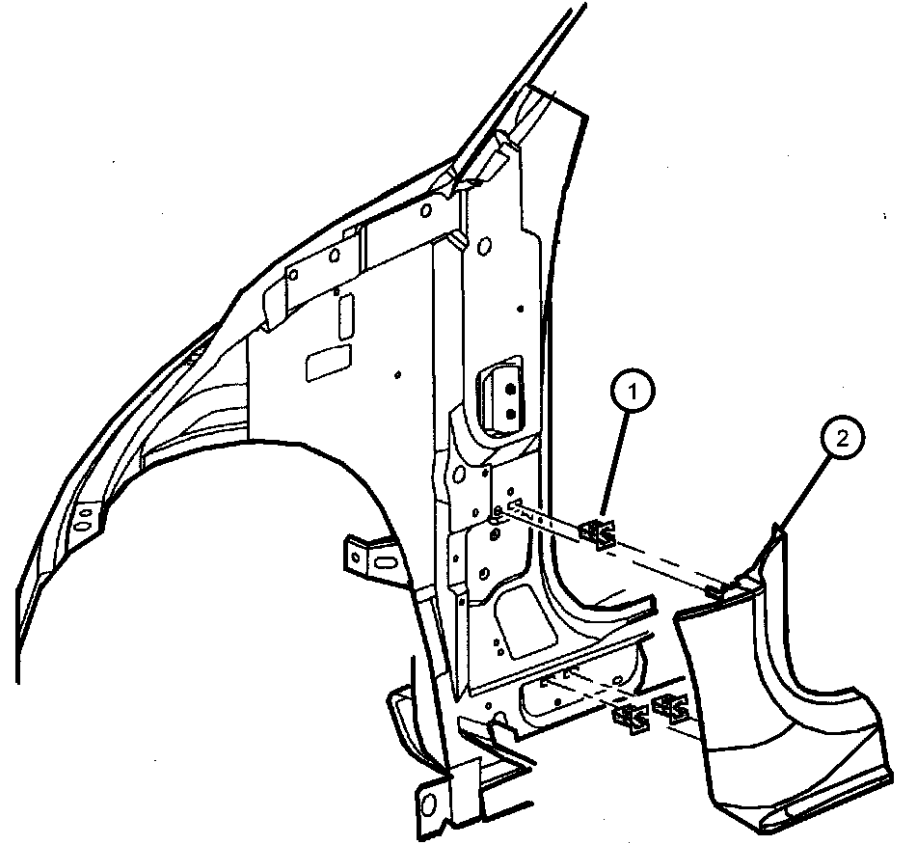
| | | | | |
|--------------|---|----------------|--|--|
| SERIES | LINE | BODY | ENGINE | TRANSMISSION |
| H = HIGHLINE | Z = CHRYSLER (RHD) C = CHRYSLER, LHD | 44 = Four Door | ECC = ENGINE - 2.0L 4 CYL DOHC 16V SMPI EDZ = ENGINE - 2.4L 4 CYL DOHC 16V SMPI | DGL = TRANSMISSION - 4-SPD. AUTOMATIC, 41TE DD5 = TRANSMISSION - 5-SPEED MANUAL DDO = All Manual Transmissions DGO = All Automatics |

AR = use ase required - = Non illustrated part

2001 PT

**Cowl Panels
Figure IPT-210**

| ITEM | PART NUMBER | QTY | LINE | SERIES | BODY | ENGINE | TRANS | TRIM | DESCRIPTION |
|------|-------------|-----|------|--------|------|--------|-------|------|-------------------------------------|
| 1 | 06505670AA | 2 | | | | | | | NUT, Plastic, Cowel Panel Attaching |
| 2 | | | | | | | | | PANEL, Cowl Side |
| | 0RJ48WL8AA | 1 | C | | | | | *O0 | Dark Taupe, Right |
| | 0RJ49WL8AA | 1 | C | | | | | *O0 | Dark Taupe, Left |
| | 0RK08WL8AA | 1 | Z | | | | | *O0 | Dark Taupe, Right |
| | 0RK09WL8AA | 1 | Z | | | | | *O0 | Dark Taupe, Left |
| -3 | 06503167 | 2 | | | | | | *O0 | CLIP, Trim Panel, Cowl Attaching |



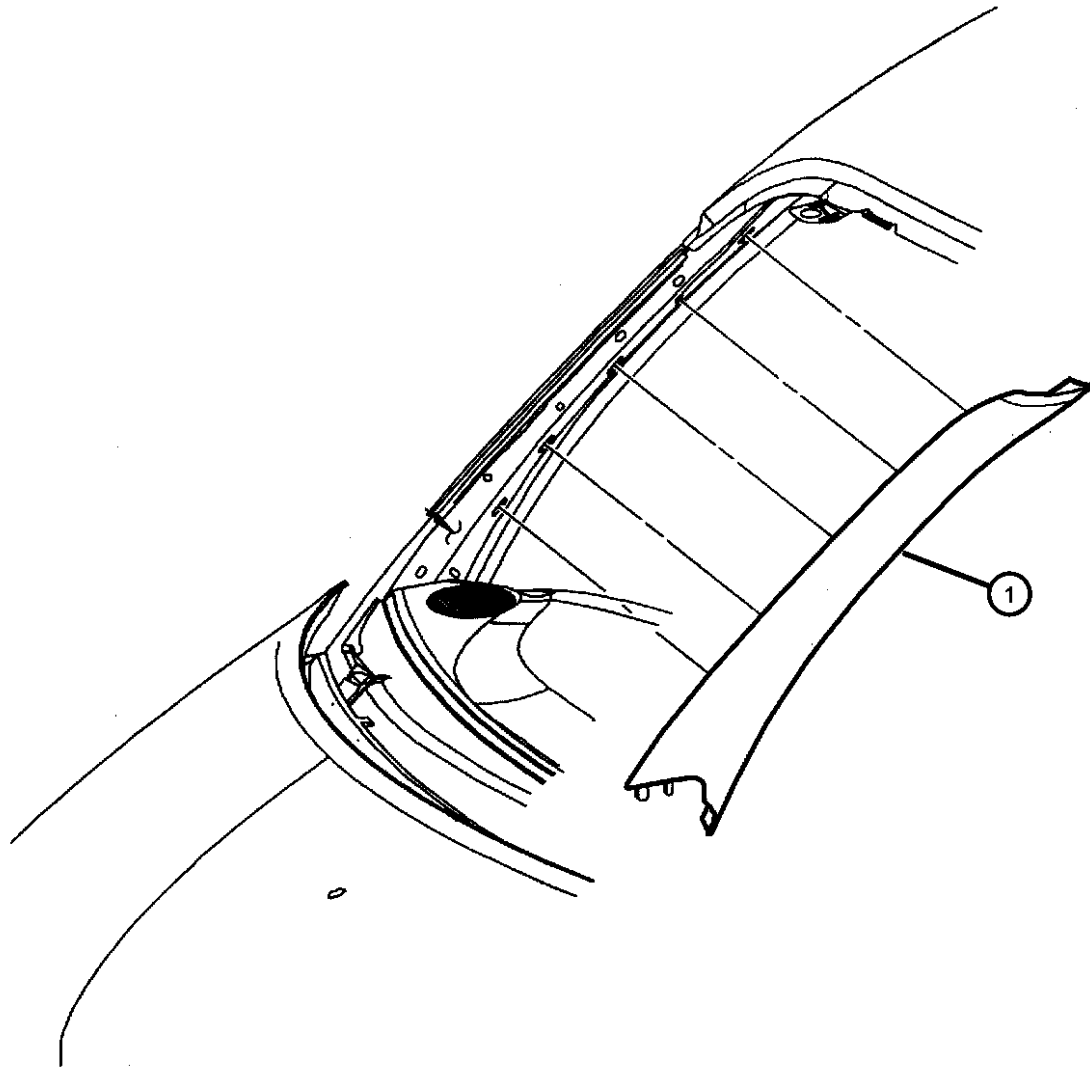
PT CRUISER (PT)

| | | | | |
|--------------|---|----------------|--|--|
| SERIES | LINE | BODY | ENGINE | TRANSMISSION |
| H = HIGHLINE | Z = CHRYSLER (RHD) C = CHRYSLER, LHD | 44 = Four Door | ECC = ENGINE - 2.0L 4 CYL DOHC 16V SMPI EDZ = ENGINE - 2.4L 4 CYL DOHC 16V SMPI | DGL = TRANSMISSION - 4-SPD. AUTOMATIC, 41TE DD5 = TRANSMISSION - 5-SPEED MANUAL DDO = All Manual Transmissions DGO = All Automatics |

AR = use ase required - = Non illustrated part

**A - Pillar
Figure IPT-215**

| ITEM | PART NUMBER | QTY | LINE | SERIES | BODY | ENGINE | TRANS | TRIM | DESCRIPTION |
|------|-------------|-----|------|--------|------|--------|-------|------|-----------------------------|
| 1 | | | | | | | | | MOLDING, Windshield Garnish |
| | 0RJ38MF1AB | 1 | | | | | | *00 | Neutral, Right |
| | 0RJ39MF1AB | 1 | | | | | | *00 | Neutral, Left |
| -2 | 06503167 | 2 | | | | | | *00 | CLIP, Trim Panel |



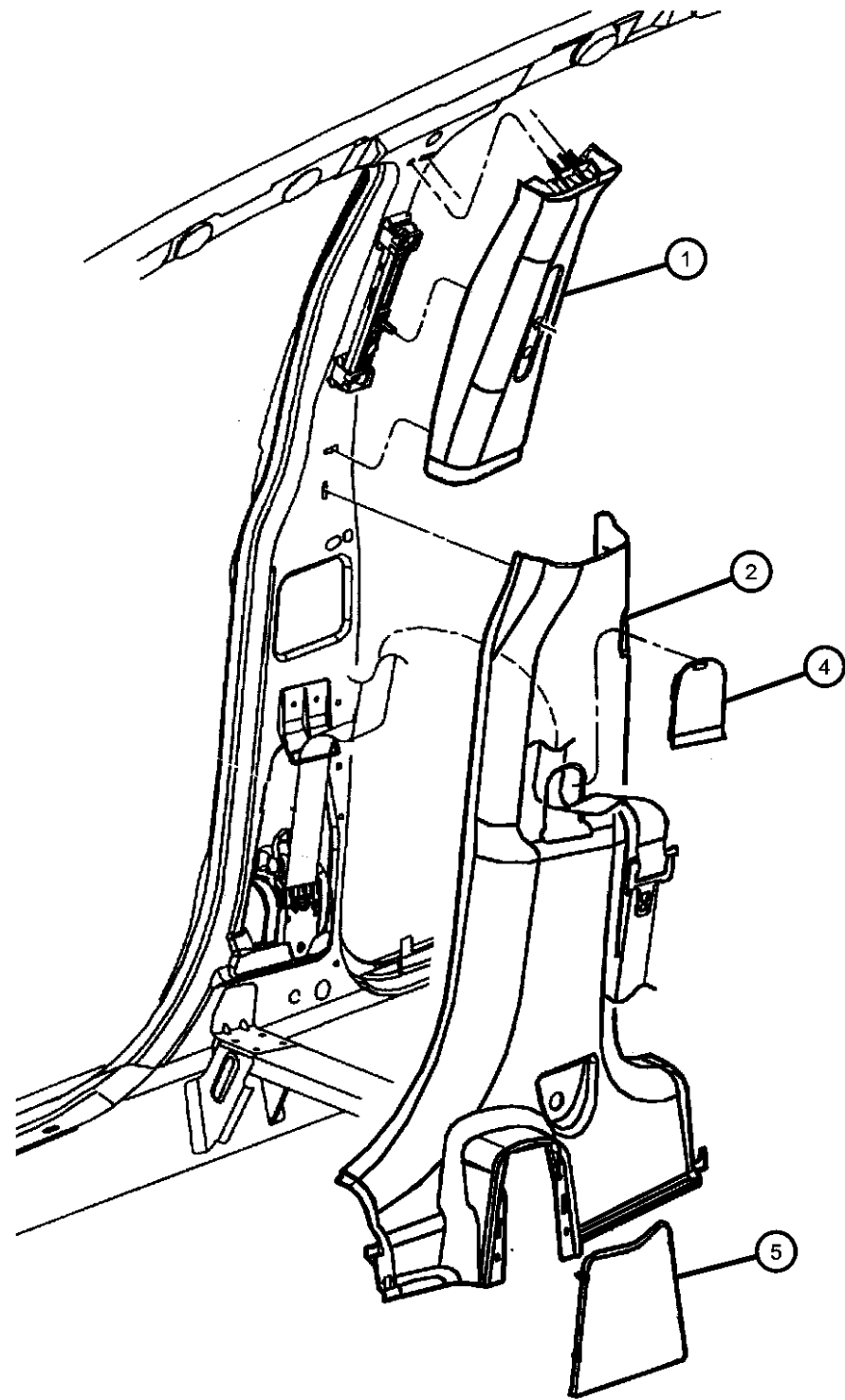
PT CRUISER (PT)

| | | | | |
|--------------|---|----------------|--|--|
| SERIES | LINE | BODY | ENGINE | TRANSMISSION |
| H = HIGHLINE | Z = CHRYSLER (RHD) C = CHRYSLER, LHD | 44 = Four Door | ECC = ENGINE - 2.0L 4 CYL DOHC 16V SMPI EDZ = ENGINE - 2.4L 4 CYL DOHC 16V SMPI | DGL = TRANSMISSION - 4-SPD. AUTOMATIC, 41TE DD5 = TRANSMISSION - 5-SPEED MANUAL DDO = All Manual Transmissions DGO = All Automatics |

AR = use ase required - = Non illustrated part

2001 PT

B - Pillar
Figure IPT-220



| ITEM | PART NUMBER | QTY | LINE | SERIES | BODY | ENGINE | TRANS | TRIM | DESCRIPTION |
|------|-------------|-----|------|--------|------|--------|-------|------|--|
| 1 | 0RJ40MF1AA | 1 | | | | | | *00 | COVER, Center Pillar Neutral, Upper Right |
| | 0RJ41MF1AA | 1 | | | | | | *00 | Neutral, Upper Left |
| 2 | 0SF24WL8AA | 1 | | | | | | *00 | COVER, C Pillar Taupe, Right, Lower |
| | 0SF25WL8AA | 1 | | | | | | *00 | Taupe, Left, Lower |
| -3 | 06503167 | 2 | | | | | | *00 | CLIP, Trim Panel, Attaching, B Pillar |
| 4 | 0SG96WL8AA | 1 | | | | | | *00 | COVER, Seat Belt Access Hole Taupe, Right |
| | 0SG97WL8AA | 1 | | | | | | *00 | Taupe, Left |
| 5 | 0SG98WL8AA | 1 | | | | | | *00 | COVER, Sill Plate Taupe, Right |
| | 0SG99WL8AA | 1 | | | | | | *00 | Taupe, Left |

PT CRUISER (PT)

SERIES LINE
H = HIGHLINE Z = CHRYSLER (RHD)
 C = CHRYSLER, LHD

BODY
44 = Four Door

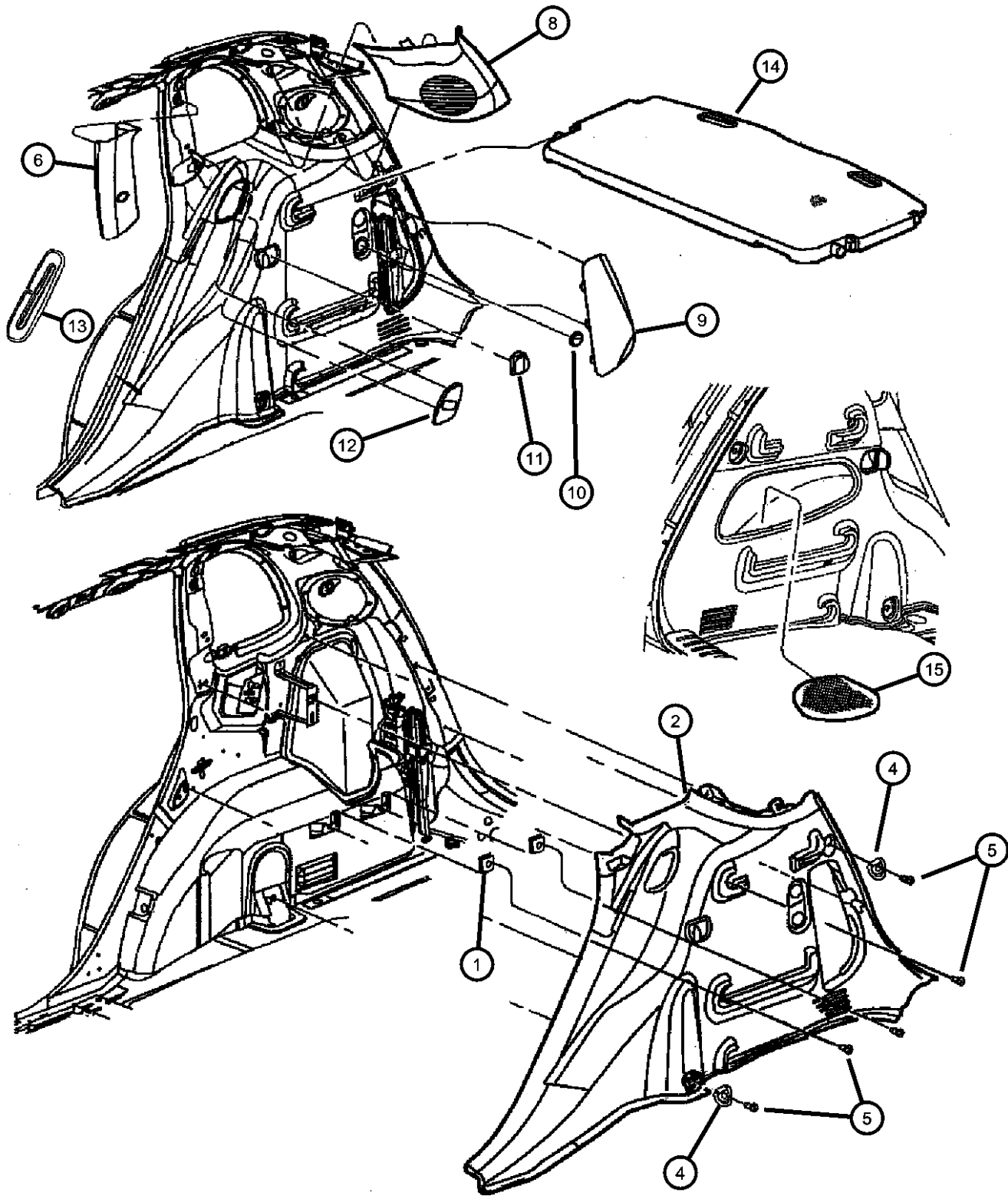
ENGINE
ECC = ENGINE - 2.0L 4 CYL DOHC 16V SMPI
EDZ = ENGINE - 2.4L 4 CYL DOHC 16V SMPI

TRANSMISSION
DGL = TRANSMISSION - 4-SPD. AUTOMATIC, 41TE
DD5 = TRANSMISSION - 5-SPEED MANUAL
DDO = All Manual Transmissions
DGO = All Automatics

AR = use ase required - = Non illustrated part

2001 PT

Quarter Trim Panel and Shelf Panel
Figure IPT-225



| ITEM | PART NUMBER | QTY | LINE | SERIES | BODY | ENGINE | TRANS | TRIM | DESCRIPTION |
|------|-------------|-----|------|--------|------|--------|-------|------|---|
| 1 | 06503167 | 2 | | | | | | *00 | CLIP, Trim Panel |
| 2 | | | | | | | | | PANEL, Quarter Trim |
| | 0RJ74WL8AC | 1 | | | | | | *00 | Taupe, Right |
| | 0RJ75WL8AC | 1 | | | | | | *00 | Taupe, Left |
| -3 | 06504014 | AR | | | | | | | FASTENER, Door Trim Panel, Quarter Trim Attaching |
| 4 | 05023205AA | 4 | | | | | | | LOOP, Cargo Tie Down |
| 5 | 05023205AA | 4 | | | | | | | SCREW, Cargo Loop Quarter Trim Lower (.190-16x1,00), (NOT SERVICED) |
| 6 | | | | | | | | | PANEL, C Pillar |
| | 0TG92MF1AC | 1 | | | | | | *00 | Neutral, Right |
| | 0TG93MF1AC | 1 | | | | | | *00 | Neutral, Left |
| -7 | 0SQ91WL8AA | 1 | | | | | | *00 | BUMPER, Rubber, C-Pillar |
| 8 | | | | | | | | | PANEL, D Pillar |
| | 0TG94MF1AB | 1 | | | | | | *00 | Neutral, Right |
| | 0TG95MF1AB | 1 | | | | | | *00 | Neutral, Left |
| 9 | 0SG44WL8AA | 1 | | | | | | *00 | DOOR, Jack Access |
| 10 | 0HX32WL8AB | 1 | | | | | | *00 | PLUG, 12 V-Outlet, Taupe, Without Light Group |
| 11 | 0HX32WL8AB | 1 | | | | | | *00 | BUMPER, Rear, (NOT SERVICED) |
| 12 | | | | | | | | | PLATE, Striker |
| | 0SF56WL8AA | 1 | | | | | | *00 | Taupe, Bezel Adjustment Plate, Right |
| | 0SF57WL8AA | 1 | | | | | | *00 | Taupe, Bezel Adjustment Plate, Left |
| 13 | | | | | | | | | BEZEL, Seat Belt Quarter Trim |
| | 0TY58WL8AA | 1 | | | | | | *00 | Taupe, Right |
| | 0TY59WL8AA | 1 | | | | | | *00 | Taupe, Left |
| 14 | 0RK001L8AC | 1 | | | | | | *00 | PANEL, Shelf Trim |
| 15 | 05023356AA | 1 | | | | | | | NET, Cargo |
| -16 | | | | | | | | | CLIP, Molding |
| | 06504738 | 1 | | | | | | *00 | D-Pillar |
| | | 1 | | | | | | *00 | Quarter Panel |

PT CRUISER (PT)

SERIES LINE
H = HIGHLINE Z = CHRYSLER (RHD)
C = CHRYSLER, LHD

BODY
44 = Four Door

ENGINE
ECC = ENGINE - 2.0L 4 CYL
DOHC 16V SMPI
EDZ = ENGINE - 2.4L 4 CYL
DOHC 16V SMPI

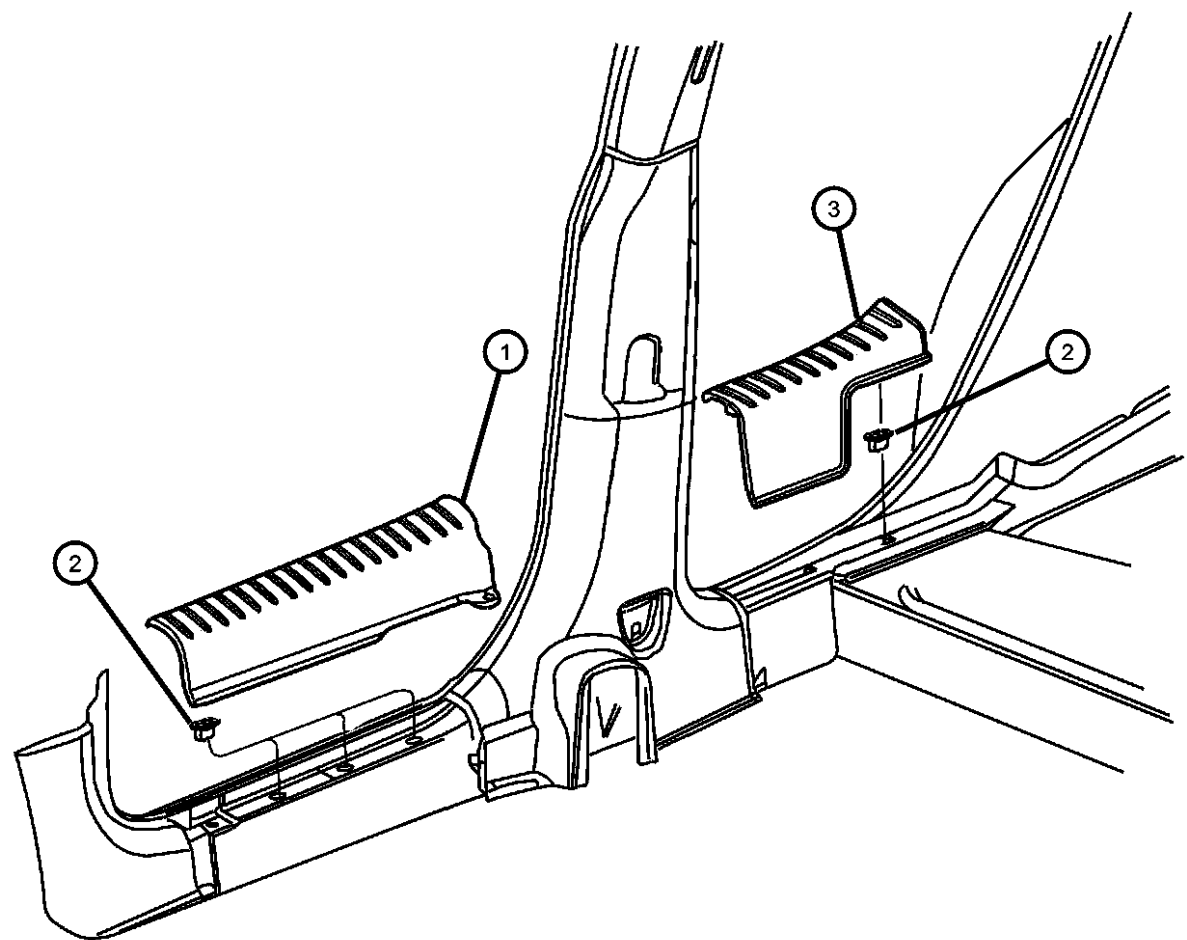
TRANSMISSION
DGL = TRANSMISSION - 4-SPD.
AUTOMATIC, 41TE
DD5 = TRANSMISSION - 5-SPEED
MANUAL
DDO = All Manual Transmissions
DGO = All Automatics

AR = use ase required - = Non illustrated part

2001 PT

Scuff Plates - Front and Rear
Figure IPT-230

| ITEM | PART NUMBER | QTY | LINE | SERIES | BODY | ENGINE | TRANS | TRIM | DESCRIPTION |
|------|-------------|-----|------|--------|------|--------|-------|------|---|
| 1 | 0RJ42WL8AA | 1 | | | | | | *00 | PLATE, Scuff Taupe, Right, Front |
| | 0RJ43WL8AA | 1 | | | | | | *00 | Taupe, Left, Front |
| 2 | 06505670AA | 6 | | | | | | | NUT, Plastic, Sill Scuff Plate Attaching |
| 3 | 0RJ44WL8AA | 1 | | | | | | *00 | PLATE, Scuff Taupe, Right, Rear |
| | 0RJ45WL8AA | 1 | | | | | | *00 | Taupe, Left, Rear |
| -4 | 06503167 | 2 | | | | | | *00 | CLIP, Trim Panel, Sill Scuff Plate |

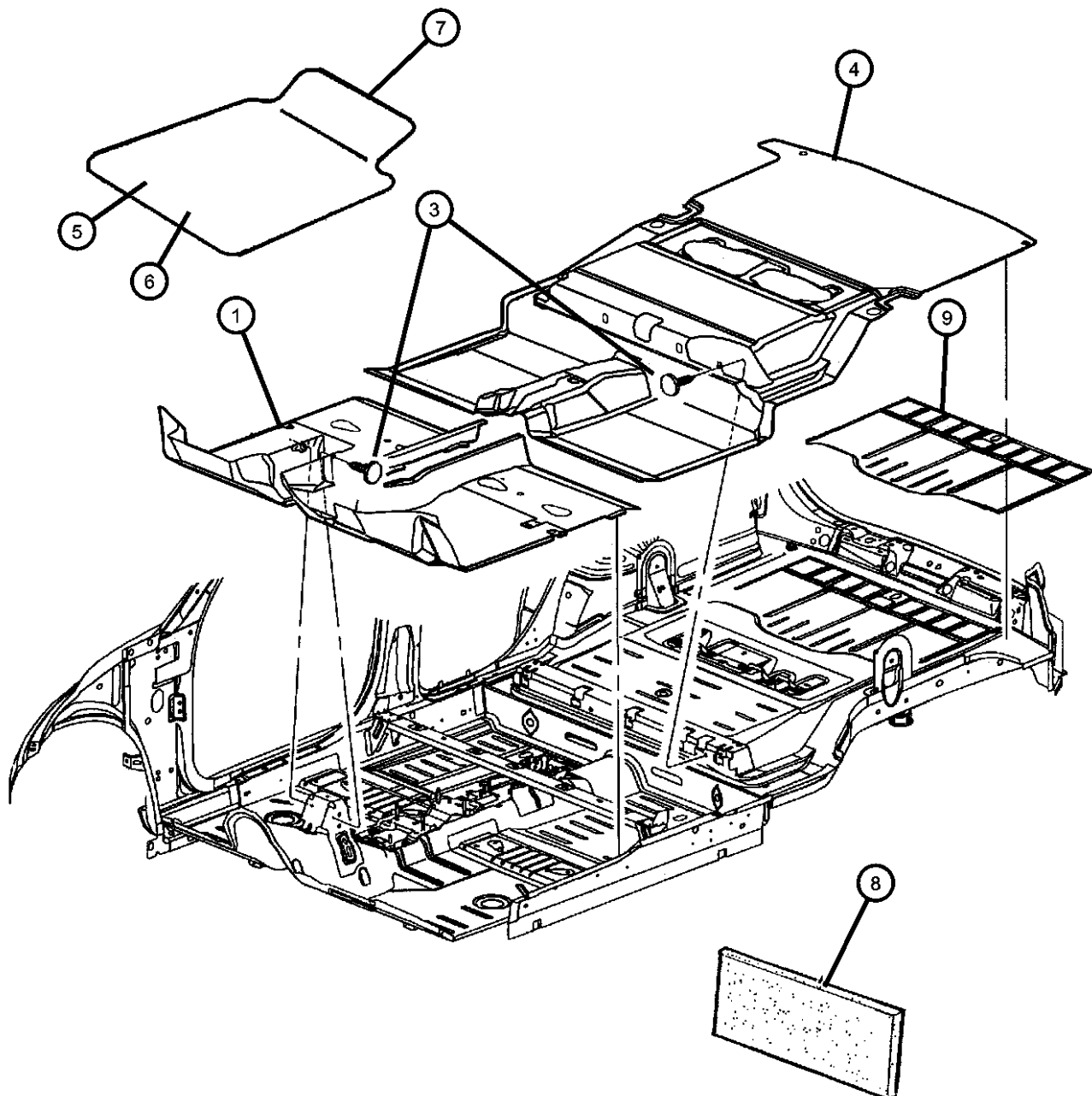


PT CRUISER (PT)

| | | | | |
|--------------|---|----------------|--|--|
| SERIES | LINE | BODY | ENGINE | TRANSMISSION |
| H = HIGHLINE | Z = CHRYSLER (RHD) C = CHRYSLER, LHD | 44 = Four Door | ECC = ENGINE - 2.0L 4 CYL DOHC 16V SMPI EDZ = ENGINE - 2.4L 4 CYL DOHC 16V SMPI | DGL = TRANSMISSION - 4-SPD. AUTOMATIC, 41TE DD5 = TRANSMISSION - 5-SPEED MANUAL DDO = All Manual Transmissions DGO = All Automatics |

AR = use ase required - = Non illustrated part

**Carpet and Mats
Figure IPT-310**



| ITEM | PART NUMBER | QTY | LINE | SERIES | BODY | ENGINE | TRANS | TRIM | DESCRIPTION |
|------|-------------|-----|------|--------|------|--------|-------|------|---|
| 1 | | | | | | | | | CARPET, Passenger Floor |
| | 0TX14WL8AB | 1 | C | | | | | *00 | Right |
| | 0TX15WL8AB | 1 | C | | | | | *00 | Left |
| | 0TX16WL8AB | 1 | Z | | | | | *00 | [DD5], Right |
| | 0TX17WL8AA | 1 | Z | | | | | *00 | Left |
| | 0UD62WL8AA | 1 | Z | | | | | *00 | [DGL], Right |
| -2 | 05019063AA | 1 | Z | | | | | *00 | CARPET PACKAGE, Contains Right and Left sides for Auto Trans. |
| 3 | 06030441 | 1 | | | | | | | PIN, Retainer, Carpet Attaching |
| 4 | 0RK03WL8AB | 1 | | | | | | *00 | CARPET, Rear Floor, Taupe |
| 5 | | | | | | | | | MAT KIT, Floor - Front |
| | 82205336 | 1 | C | H | 44 | | | | Taupe, With PT Cruiser Logo |
| | 82205474 | 1 | | | | | | | |
| | 82205475 | 1 | C | H | 44 | | | | Taupe, For PT Limited Model |
| | 82206394 | 1 | Z | H | 44 | | | | |
| 6 | | | | | | | | | MAT KIT, Floor - Rear |
| | 82205337 | 1 | C | H | 44 | | | | Slush Mat - Taupe |
| | 82205476 | 1 | C | H | 44 | | | | Dark Taupe |
| 7 | | | | | | | | | MAT KIT, Floor - Complete |
| | 82206657 | 1 | Z | H | 44 | | | | Anthracite Rubber |
| | 82206658 | 1 | Z | H | 44 | | | | Dark Taupe |
| | 82206660 | 1 | Z | H | 44 | | | | Shale Green |
| | 82206661 | 1 | Z | H | 44 | | | | Aquamarine |
| | 82206662 | 1 | Z | H | 44 | | | | Patriot Blue |
| | 82206663 | 1 | Z | H | 44 | | | | Inferno Red |
| | 82206664 | 1 | Z | H | 44 | | | | Aztec Yellow |
| | 82208518 | 1 | C | H | 44 | | | | [WL8] |
| 8 | | | | | | | | | PAD, Dash Panel |
| | 04724889AA | 1 | C | | | | | | Left |
| | 04724890AA | 1 | C | | | | | | Lower, Right |
| 9 | 04740136 | AR | | | | | | | SILENCER, Floor Pan |
| -10 | 55196834AA | 1 | Z | | | | | *00 | CLIP, Carpet |

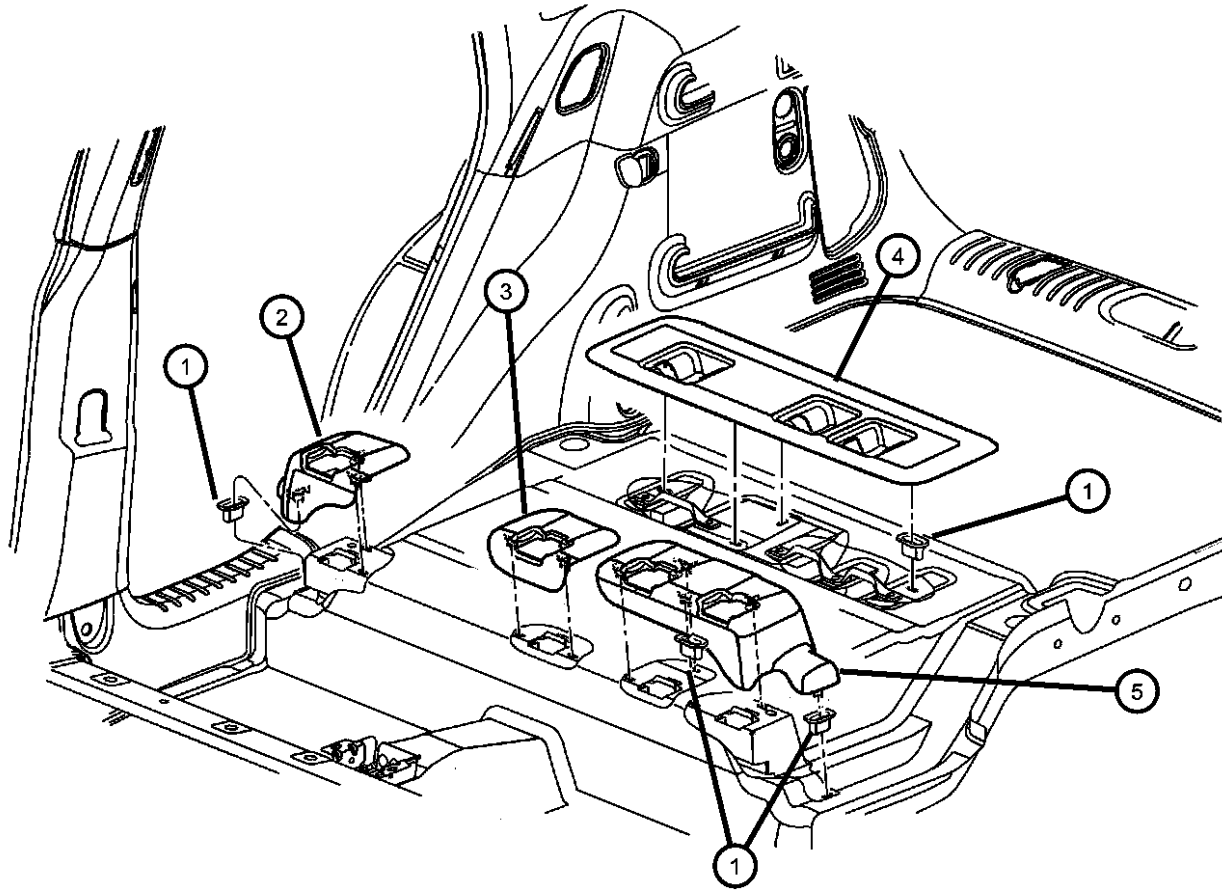
PT CRUISER (PT)

| | | | | |
|--------------|---|----------------|--|--|
| SERIES | LINE | BODY | ENGINE | TRANSMISSION |
| H = HIGHLINE | Z = CHRYSLER (RHD) C = CHRYSLER, LHD | 44 = Four Door | ECC = ENGINE - 2.0L 4 CYL DOHC 16V SMPI EDZ = ENGINE - 2.4L 4 CYL DOHC 16V SMPI | DGL = TRANSMISSION - 4-SPD. AUTOMATIC, 41TE DD5 = TRANSMISSION - 5-SPEED MANUAL DDO = All Manual Transmissions DGO = All Automatics |

AR = use ase required - = Non illustrated part

**Seat - Rear Attachments Floor Pan
Figure IPT-320**

| ITEM | PART NUMBER | QTY | LINE | SERIES | BODY | ENGINE | TRANS | TRIM | DESCRIPTION |
|------|-------------|-----|------|--------|------|--------|-------|------|---------------------------------------|
| 1 | 06505670AA | 4 | | | | | | | NUT, Plastic |
| 2 | 0TK86WL8AB | 1 | | | | | | *O0 | BEZEL, Seat Pivot, [FL], Right |
| 3 | 0TK88WL8AB | 1 | | | | | | *O0 | BEZEL, Seat Pivot, [FL], Center |
| 4 | 0SA27WL8AB | 1 | | | | | | *O0 | BEZEL, Seat Latch, [FL], Seat Striker |
| 5 | 0TK87WL8AB | 1 | | | | | | *O0 | BEZEL, Seat Pivot, [FL], Left |



PT CRUISER (PT)

SERIES LINE

H = HIGHLINE Z = CHRYSLER (RHD)
C = CHRYSLER, LHD

BODY

44 = Four Door

ENGINE

ECC = ENGINE - 2.0L 4 CYL DOHC 16V SMPI
EDZ = ENGINE - 2.4L 4 CYL DOHC 16V SMPI

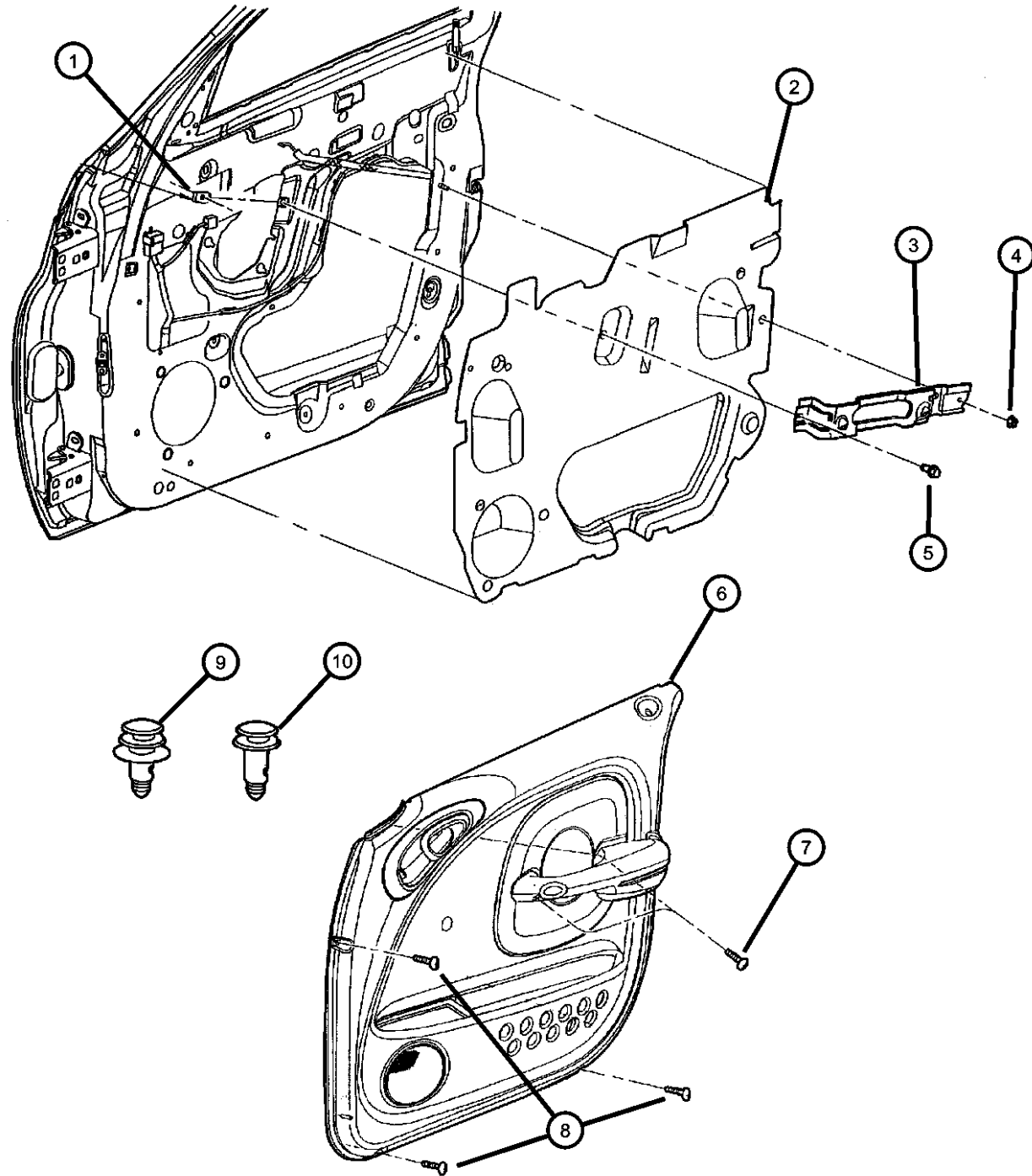
TRANSMISSION

DGL = TRANSMISSION - 4-SPD. AUTOMATIC, 41TE
DD5 = TRANSMISSION - 5-SPEED MANUAL
DDO = All Manual Transmissions
DGO = All Automatics

AR = use ase required - = Non illustrated part

2001 PT

**Door Panels - Front
Figure IPT-410**



| ITEM | PART NUMBER | QTY | LINE | SERIES | BODY | ENGINE | TRANS | TRIM | DESCRIPTION |
|------|-------------|-----|------|--------|------|--------|-------|------|--|
| 1 | 06506360AA | 2 | | | | | | | U-NUT |
| 2 | | | | | | | | | WATERDAM, Front Door |
| | 05027192AA | 1 | | | | | | | Shield, Right |
| | 05027193AA | 1 | | | | | | | Shield, Left |
| 3 | | | | | | | | | BRACKET, Armrest to Door |
| | 05023202AB | 1 | | | | | | | Right |
| | 05023203AB | 1 | | | | | | | Left |
| 4 | 06101447 | 2 | | | | | | | NUT, Armrest Bracket To Inner Panel |
| 5 | 06100558 | 2 | | | | | | | BOLT AND CONED WASHER, Hex Head, M6x25x14, Armrest Bracket Attaching |
| 6 | | | | | | | | | PANEL, Door Trim Front |
| | 0RJ761FLAB | 1 | | | | | | *R7 | Taupe, With Power Windows, With Manual Locks, Right |
| | 0RJ771FLAB | 1 | | | | | | *R7 | Taupe, With Power Windows, With Manual Locks, Left |
| | 0RJ881FLAB | 1 | | | | | | *R7 | Taupe, With Power Windows And Power Locks, Right |
| | 0RJ891FLAB | 1 | | | | | | *R7 | Taupe, With Power Windows And Power Locks, Left |
| | 0TW721FLAA | 1 | | | | | | *GL | Taupe, With Power Windows And Power Locks, Right |
| | 0TW731FLAA | 1 | | | | | | *GL | Taupe, With Power Windows And Power Locks, Left |
| 7 | 06036226AA | 2 | | | | | | | SCREW, Hex Flange Head, .25-14x1.00, Armrest To Bracket |
| 8 | 06032723 | 6 | | | | | | | SCREW, Self Tapping, M4.2x1.69x19.05, Attaching, Door Panel Assembly |
| 9 | 05023173AA | AR | | | | | | | RETAINER, Trim Panel, Push Pin, (Pin and Grommet) |
| 10 | | | | | | | | | PIN, Push |
| | 05023174AA | 8 | | | | | | *GL | Pin Only |
| | | 8 | | | | | | *R7 | Pin Only |

PT CRUISER (PT)

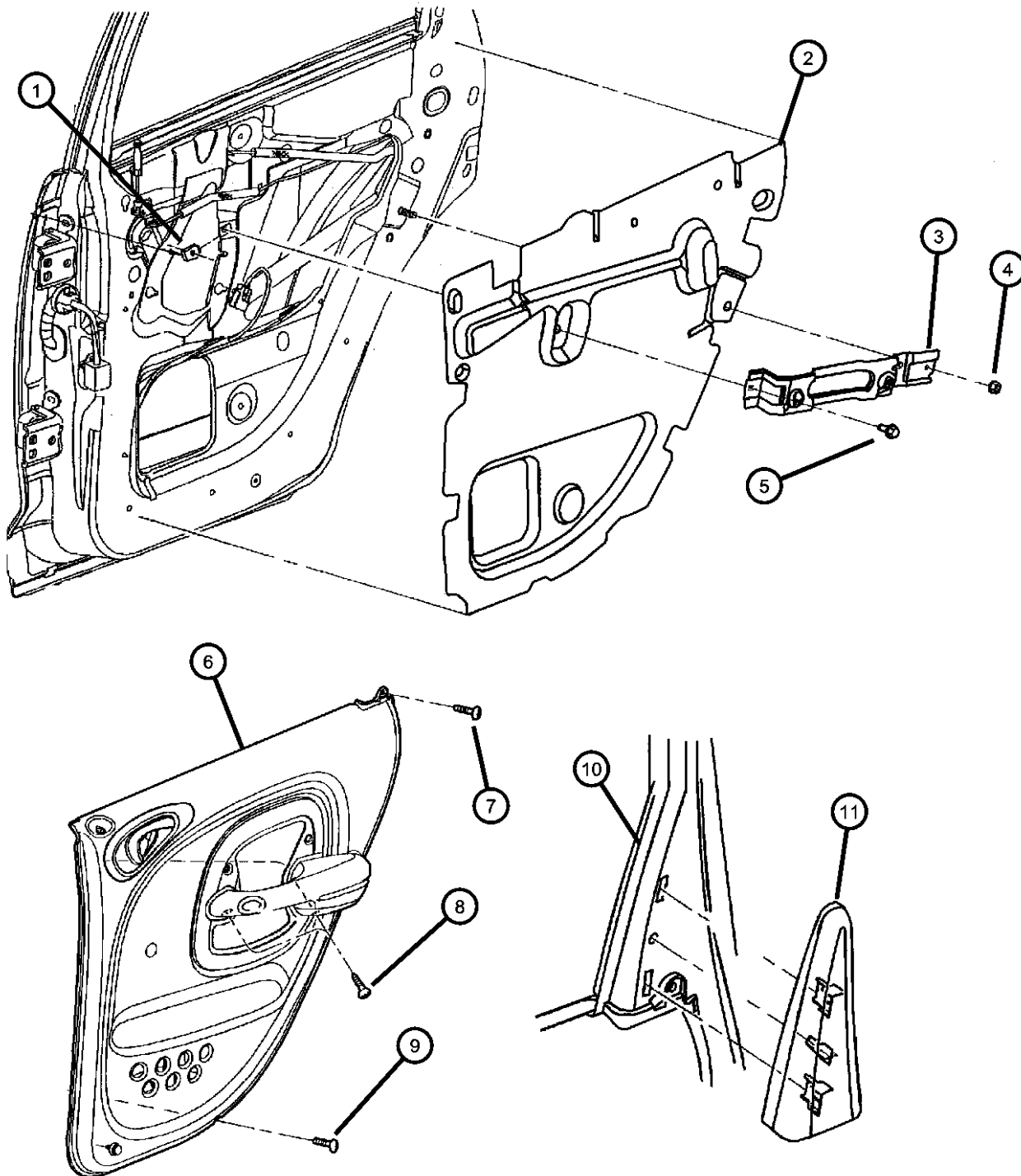
SERIES LINE
H = HIGHLINE Z = CHRYSLER (RHD)
 C = CHRYSLER, LHD

BODY
44 = Four Door

ENGINE TRANSMISSION
ECC = ENGINE - 2.0L 4 CYL DGL = TRANSMISSION - 4-SPD.
DOHC 16V SMPI AUTOMATIC, 41TE
EDZ = ENGINE - 2.4L 4 CYL DD5 = TRANSMISSION - 5-SPEED
DOHC 16V SMPI MANUAL
 DDO = All Manual Transmissions
 DGO = All Automatics

AR = use ase required - = Non illustrated part

Door Panels - Rear
Figure IPT-420



| ITEM | PART NUMBER | QTY | LINE | SERIES | BODY | ENGINE | TRANS | TRIM | DESCRIPTION |
|------|-------------|-----|------|--------|------|--------|-------|------|---|
| 1 | 06506360AA | 2 | | | | | | | U-NUT |
| 2 | | | | | | | | | WATERDAM, Rear Door |
| | 05027194AA | 1 | | | | | | | Watershield, Right |
| | 05027195AA | 1 | | | | | | | Watershield, Left |
| 3 | | | | | | | | | BRACKET, Armrest to Door |
| | 05023202AB | 1 | | | | | | | Right |
| | 05023203AB | 1 | | | | | | | Left |
| 4 | 06101447 | 2 | | | | | | | NUT, Armrest Bracket To Inner Panel |
| 5 | 06100558 | 2 | | | | | | | BOLT AND CONED WASHER, Hex Head, M6x25x14, Armrest Bracket To Inner Panel |
| 6 | | | | | | | | | PANEL, Door Trim Rear |
| | 0RJ901FLAB | 1 | | | | | | *R7 | Taupe, Right |
| | 0RJ911FLAB | 1 | | | | | | *R7 | Taupe, Left |
| | 0TW741FLAA | 1 | | | | | | *GL | Taupe, Right |
| | 0TW751FLAA | 1 | | | | | | *GL | Taupe, Left |
| 7 | 06032723 | 6 | | | | | | | SCREW, Self Tapping, M4.2x1.69x19.05, Door Panel Attaching |
| 8 | 06036226AA | 2 | | | | | | | SCREW, Hex Flange Head, .25-14x1.00, Armrest To Bracket Attaching |
| 9 | 06032723 | 6 | | | | | | | SCREW, Self Tapping, M4.2x1.69x19.05, Door Panel Attaching |
| 10 | 06032723 | 6 | | | | | | | DOOR, Rear, Reference Only, (NOT REQUIRED) |
| 11 | | | | | | | | | BEZEL, Door Trim Panel |
| | 0SA66DX9AB | 1 | | | | | | *O0 | Black, Right |
| | 0SA67DX9AB | 1 | | | | | | *O0 | Black, Left |
| -12 | 06503167 | 2 | | | | | | *O0 | CLIP, Trim Panel, Bezel Attaching |
| -13 | 05023173AA | AR | | | | | | | RETAINER, Trim Panel, Push Pin |

PT CRUISER (PT)

SERIES LINE
 H = HIGHLINE Z = CHRYSLER (RHD)
 C = CHRYSLER, LHD

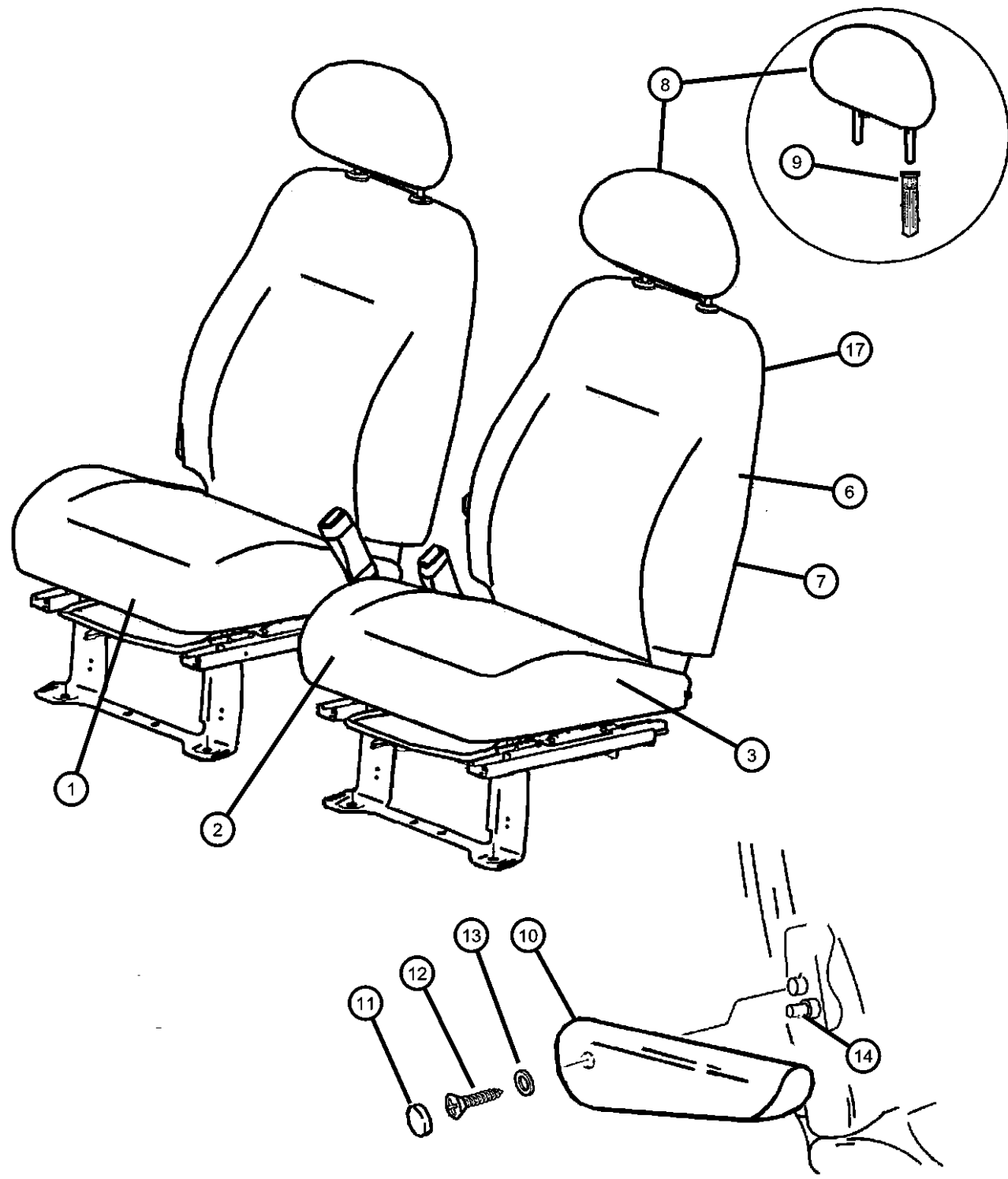
BODY
 44 = Four Door

ENGINE
 ECC = ENGINE - 2.0L 4 CYL DOHC 16V SMPI
 EDZ = ENGINE - 2.4L 4 CYL DOHC 16V SMPI

TRANSMISSION
 DGL = TRANSMISSION - 4-SPD. AUTOMATIC, 41TE
 DD5 = TRANSMISSION - 5-SPEED MANUAL
 DDO = All Manual Transmissions
 DGO = All Automatics

AR = use ase required - = Non illustrated part

**Front Seat - Trim Code [R7]
Figure IPT-510**



| ITEM | PART NUMBER | QTY | LINE | SERIES | BODY | ENGINE | TRANS | TRIM | DESCRIPTION |
|------|-------------|-----|------|--------|------|--------|-------|------|-------------|
|------|-------------|-----|------|--------|------|--------|-------|------|-------------|

Item 4 COVER Seat Back. For Applications Not Listed Are Serviced With Back Assembly Only. (CGS = Air Bags Side Impact) (ABB = European)
NOTE = When Ordering Sleeve Headrest (6) You Need To Order Item 13 CAP, Headrest Adjust

NOTE = When Ordering

| | | | | | | | | | |
|----|------------|---|---|--|--|--|--|-----|--|
| 1 | | | | | | | | | CUSHION, Front Seat |
| | 0TP751FLAA | 2 | Z | | | | | *R7 | [FL], Right & Left |
| | | 2 | C | | | | | *R7 | [FL], Right & Left |
| | 0UZ681FLAA | 1 | C | | | | | *R7 | [FL], Fold Flat Only, Right |
| | | 1 | Z | | | | | *R7 | [FL], Fold Flat Only, Right |
| 2 | | | | | | | | | COVER, Front Seat Cushion |
| | 0TP731FLAA | 2 | Z | | | | | *R7 | [FL], Left |
| | | 2 | C | | | | | *R7 | [FL], Left |
| | 0UZ691FLAA | 1 | C | | | | | *R7 | Fold Flat Only |
| | | 1 | Z | | | | | *R7 | Fold Flat Only |
| | 0XF761FLAA | 2 | C | | | | | *R7 | [FL], Right |
| | | 2 | Z | | | | | *R7 | [FL], Right |
| 3 | | | | | | | | | FOAM, Seat Cushion |
| | 05086527AA | 2 | C | | | | | *R7 | Left |
| | | 2 | Z | | | | | *R7 | Left |
| | 05086528AA | 1 | C | | | | | *R7 | Right |
| | | 2 | Z | | | | | *R7 | Right |
| -4 | | | | | | | | | PAD, Heater |
| | 05102444AA | 1 | C | | | | | *R7 | Diesel Only |
| | | 1 | Z | | | | | *R7 | Diesel Only |
| | 05114089AA | 1 | C | | | | | *R7 | |
| | | 1 | Z | | | | | *R7 | |
| -5 | | | | | | | | | FRAME, Seat cushion |
| | 05104708AA | 2 | C | | | | | *R7 | Right & Left |
| | | 2 | Z | | | | | *R7 | Right & Left |
| 6 | | | | | | | | | SEAT BACK, Front |
| | 0TP621FLAA | 1 | C | | | | | *R7 | [FL], Without Sales Codes [CGS, ABB, JPN, and CDW], Right |
| | 0TP631FLAA | 1 | C | | | | | *R7 | [FL], Without Sales Codes [CGS, ABB, JPN, and CDW], Left |
| | 0TP641FLAA | 1 | C | | | | | *R7 | [FL], With Sales Code [CDW and JPN] Without [ABB and CGS], Right |

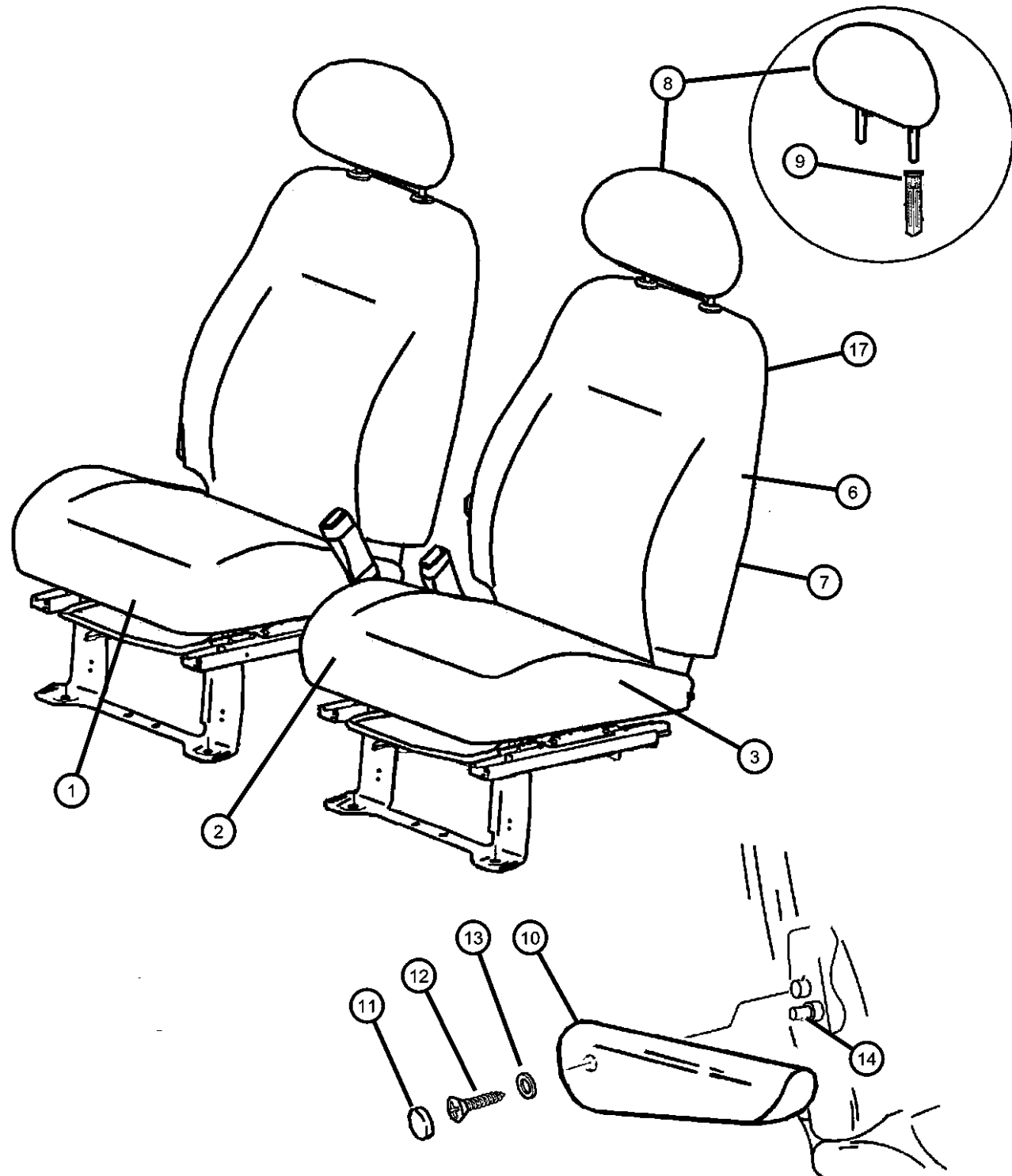
PT CRUISER (PT)

| | | | | |
|--------------|---|----------------|--|--|
| SERIES | LINE | BODY | ENGINE | TRANSMISSION |
| H = HIGHLINE | Z = CHRYSLER (RHD) C = CHRYSLER, LHD | 44 = Four Door | ECC = ENGINE - 2.0L 4 CYL DOHC 16V SMPI EDZ = ENGINE - 2.4L 4 CYL DOHC 16V SMPI | DGL = TRANSMISSION - 4-SPD. AUTOMATIC, 41TE DD5 = TRANSMISSION - 5-SPEED MANUAL DDO = All Manual Transmissions DGO = All Automatics |

AR = use ase required - = Non illustrated part

2001 PT

Front Seat - Trim Code [R7]
Figure IPT-510



| ITEM | PART NUMBER | QTY | LINE | SERIES | BODY | ENGINE | TRANS | TRIM | DESCRIPTION |
|------|-------------|-----|------|--------|------|--------|-------|------|--|
| | | 1 | C | | | | | *R7 | [FL], With Sales Codes [CDW] Without [CGS, ABB & JPN], Right |
| | | 1 | C | | | | | *R7 | [FL], With Sales Code [CDW and JPN] Without [CGS], Right |
| | 0TP651FLAA | 1 | C | | | | | *R7 | [FL], With Sales Code [CDW and JPN] Without [ABB and CGS], Left |
| | | 1 | C | | | | | *R7 | [FL], With Sales Code [CDW and JPN] Without [CGS], Left |
| | | 1 | C | | | | | *R7 | [FL], With Sales Codes [CDW] Without [CGS, ABB & JPN], Left |
| | 0TP821FLAA | 1 | Z | | | | | *R7 | [FL], With Sales Codes [CGS, CDW and JPN] (Use Up To 7-1-00), Passenger |
| | 0TP821FLAB | 1 | Z | | | | | *R7 | [FL], With Sales Codes [CGS, CDW and JPN] (Use After 7-1-00), Passenger |
| | 0TP831FLAA | 1 | Z | | | | | *R7 | [FL], With Sales Codes [CGS, CDW and JPN], Driver |
| | 0TP841FLAA | 1 | C | | | | | *R7 | [FL], With Sales Code [CGS and CDW] Without [ABB and JPN], Right |
| | | 1 | C | | | | | *R7 | [FL], With Sales Codes [ABB, CGS, CDW and JPN], Right |
| | 0TP851FLAA | 1 | C | | | | | *R7 | [FL], With Sales Code [CGS and CDW] Without [ABB and JPN] (Use Up To 7-1-00), Left |
| | | 1 | C | | | | | *R7 | [FL], With Sales Codes [ABB, CGS, CDW and JPN], Left |
| | | 1 | C | | | | | *R7 | [FL], With Sales Code [CGS, CDW and JPN] (Use Up To 7-1-00), Left |
| | 0TP851FLAB | 1 | C | | | | | *R7 | [FL], With Sales Code [CGS and CDW] Without [ABB and JPN] (Use After 7-1-00), Left |
| | | 1 | C | | | | | *R7 | [FL], With Sales Code [CGS, CDW and JPN] (Use After To 7-1-00), Left |
| | 0TQ321FLAA | 1 | Z | | | | | *R7 | [FL], With Sales Code [CDW and JPN, Without [CGS], Left |
| | 0TQ331FLAA | 1 | Z | | | | | *R7 | [FL], With Sales Code [CDW and JPN, Without [CGS], Right |
| 7 | | | | | | | | | COVER, Front Seat Back |
| | 0TP781FLAA | 1 | C | | | | | *R7 | [FL], With Sales Code [CDW], Without [ABB, CGS and JPN], Right |

PT CRUISER (PT)

SERIES

H = HIGHLINE

LINE

Z = CHRYSLER (RHD)

C = CHRYSLER, LHD

BODY

44 = Four Door

ENGINE

ECC = ENGINE - 2.0L 4 CYL

DOHC 16V SMPI

EDZ = ENGINE - 2.4L 4 CYL

DOHC 16V SMPI

TRANSMISSION

DGL = TRANSMISSION - 4-SPD.

AUTOMATIC, 41TE

DD5 = TRANSMISSION - 5-SPEED

MANUAL

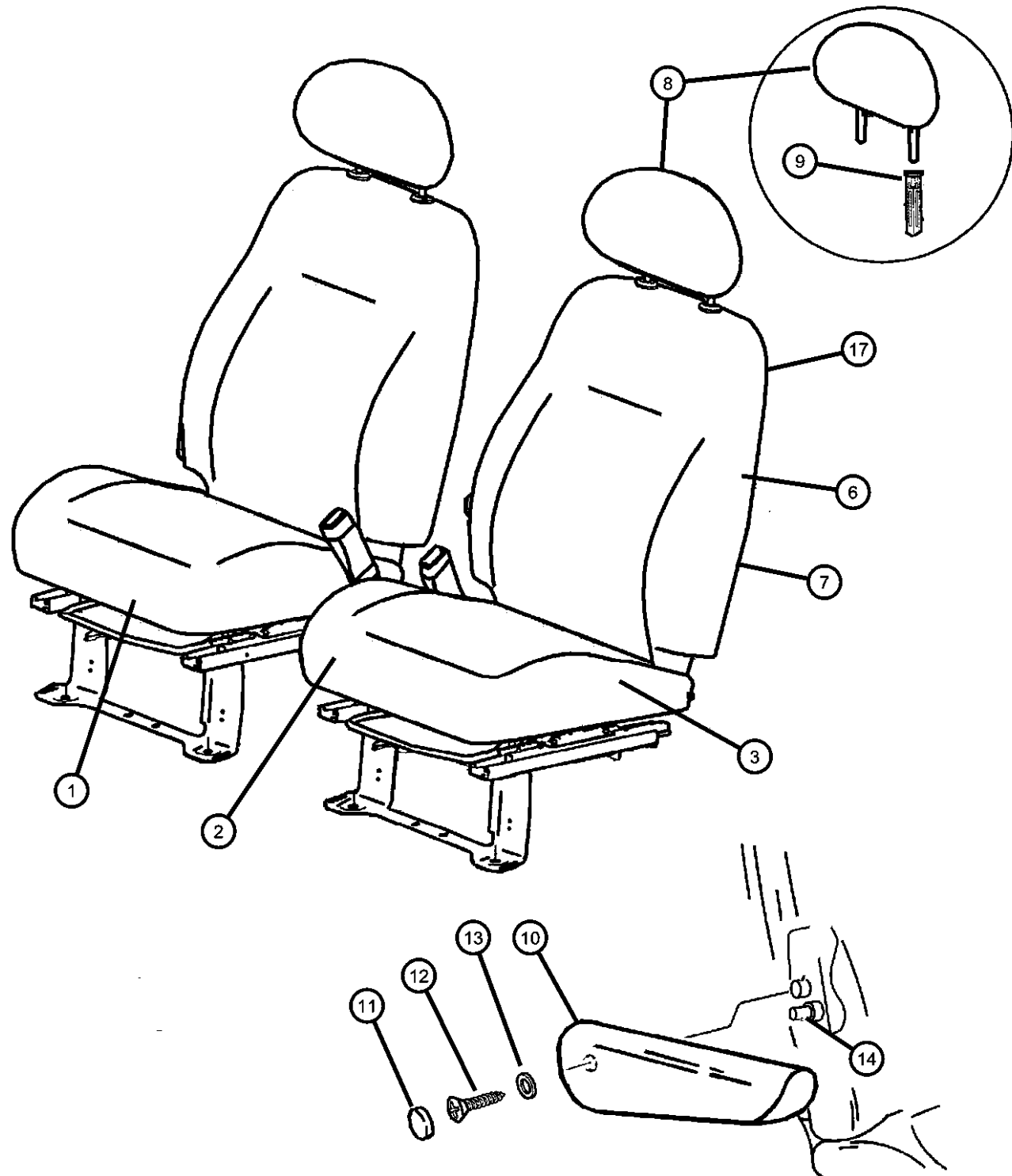
DDO = All Manual Transmissions

DGO = All Automatics

AR = use ase required - = Non illustrated part

2001 PT

Front Seat - Trim Code [R7]
Figure IPT-510



| ITEM | PART NUMBER | QTY | LINE | SERIES | BODY | ENGINE | TRANS | TRIM | DESCRIPTION |
|------|-------------|-----|------|--------|------|--------|-------|------|--|
| | | 1 | C | | | | | *R7 | [FL], With Sales Code [CDW and JPN] Without [ABB and CGS], Right |
| | 0TP791FLAA | 1 | C | | | | | *R7 | [FL], With Sales Code [CDW], Without [ABB, CGS and JPN], Left |
| | | 1 | C | | | | | *R7 | [FL], With Sales Code [CDW and JPN] Without [ABB and CGS], Left |
| | 0TP801FLAA | 1 | C | | | | | *R7 | [FL], Without Sales Codes [CGS, ABB, JPN, and CDW], Right |
| | 0TP811FLAA | 1 | C | | | | | *R7 | [FL], Without Sales Codes [CGS, ABB, JPN, and CDW], Left |
| 8 | | | | | | | | | HEADREST, Front |
| | 0TP711FLAA | 1 | C | | | | | *R7 | [FL] 4-Way |
| | 0TP721FLAA | 2 | C | | | | | *R7 | [FL] 2-Way |
| 9 | | | | | | | | | SLEEVE, Headrest |
| | 05066563AA | 2 | C | | | | | *R7 | |
| | | 5 | Z | | | | | *R7 | |
| 10 | | | | | | | | | ARMREST, Seat |
| | 0MW081FL | 1 | Z | | | | | *R7 | [FL], Right |
| | | 1 | C | | | | | *R7 | [FL], Right |
| | 0MW091FL | 1 | Z | | | | | *R7 | [FL], Left |
| | | 1 | C | | | | | *R7 | [FL], Left |
| 11 | | | | | | | | | PLUG, Armrest |
| | 0WU501FL | 2 | Z | | | | | *R7 | [FL] |
| | | 2 | C | | | | | *R7 | [FL] |
| 12 | 06503287 | 2 | C | | | | | *R7 | SCREW, Pan Head, M8x1.25x41.5, Armrest Attaching |
| 13 | 04882234 | 2 | C | | | | | *R7 | WASHER, Wave, .520x.745, Armrest Pivot |
| 14 | 06503286 | 2 | C | | | | | *R7 | SCREW, Special Head, M8x1.25x32.5, Armrest Stop COVER, A/B Frt Seat Back |
| -15 | | | | | | | | | |
| | 05016781AA | 1 | C | | | | | *R7 | Air Bag |
| | | 1 | Z | | | | | *R7 | Air Bag |
| | | 1 | C | | | | | *GL | Air Bag |
| | | 1 | Z | | | | | *GL | Air Bag |

PT CRUISER (PT)

SERIES LINE
H = HIGHLINE Z = CHRYSLER (RHD)
C = CHRYSLER, LHD

BODY
44 = Four Door

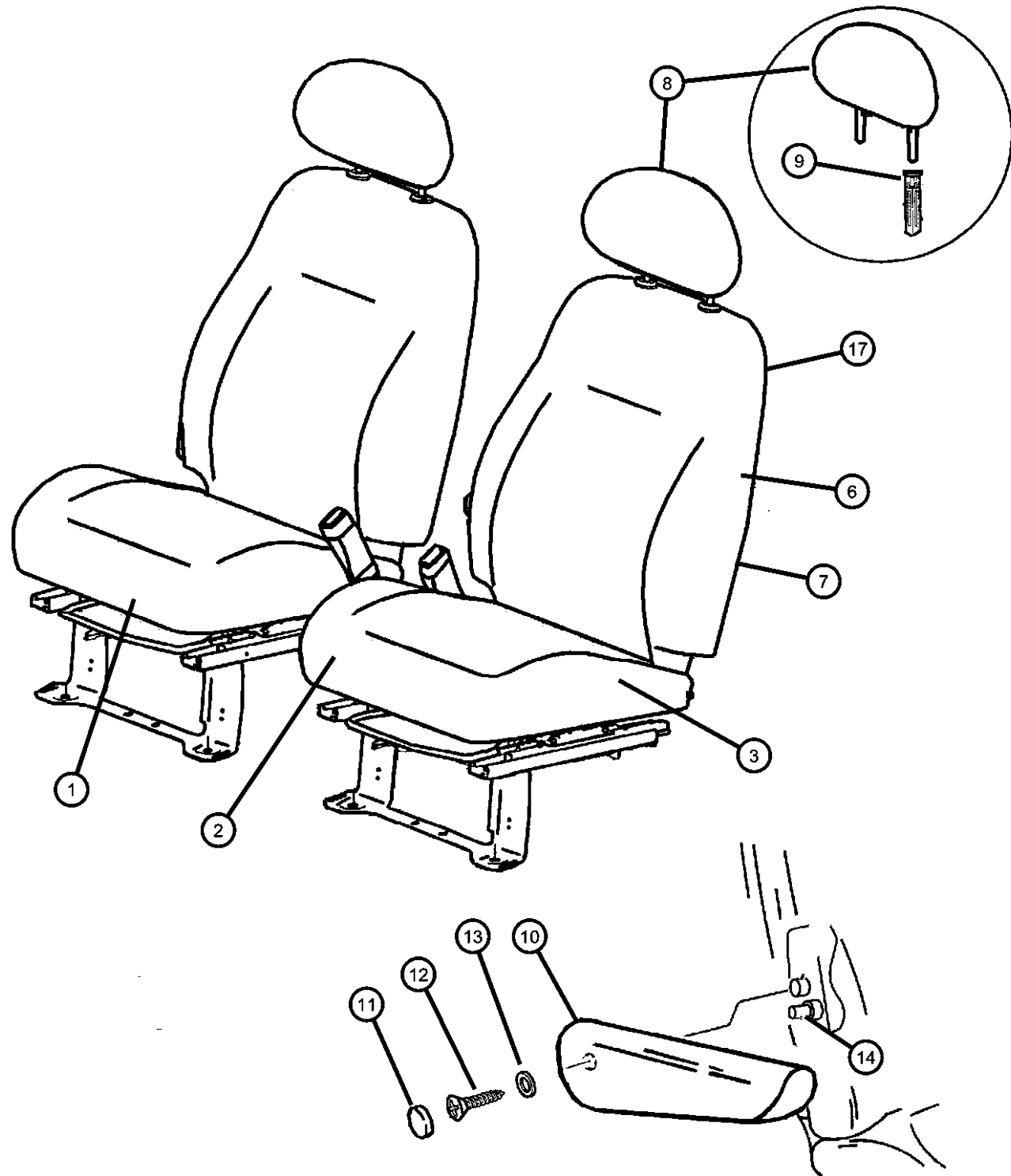
ENGINE
ECC = ENGINE - 2.0L 4 CYL DOHC 16V SMPI
EDZ = ENGINE - 2.4L 4 CYL DOHC 16V SMPI

TRANSMISSION
DGL = TRANSMISSION - 4-SPD. AUTOMATIC, 41TE
DD5 = TRANSMISSION - 5-SPEED MANUAL
DDO = All Manual Transmissions
DGO = All Automatics

AR = use ase required - = Non illustrated part

2001 PT

Front Seat - Trim Code [R7]
Figure IPT-510



| ITEM | PART NUMBER | QTY | LINE | SERIES | BODY | ENGINE | TRANS | TRIM | DESCRIPTION |
|------|-------------|-----|------|--------|------|--------|-------|------|--|
| -16 | | | | | | | | | CAP, Headrest Adjuster, [Plug Headrest Adjuster] |
| | 05019494AA | 2 | C | | | | | *R7 | With Button, Right |
| | | 2 | Z | | | | | *R7 | With Button, Right |
| | 05019495AA | 2 | Z | | | | | *R7 | Without Button, Left |
| | | 2 | C | | | | | *R7 | Without Button, Left |
| 17 | | | | | | | | | PANEL, Front Seat Back |
| | 0TZ921FLAA | 2 | C | | | | | *R7 | With Map Pocket |
| | | 1 | Z | | | | | *R7 | With Map Pocket |
| | 0UL511FLAA | 2 | C | | | | | *R7 | Without Map Pocket |
| | | 1 | Z | | | | | *R7 | Without Map Pocket |

PT CRUISER (PT)

SERIES

H = HIGHLINE

LINE

Z = CHRYSLER (RHD)

C = CHRYSLER, LHD

BODY

44 = Four Door

ENGINE

ECC = ENGINE - 2.0L 4 CYL

DOHC 16V SMPI

EDZ = ENGINE - 2.4L 4 CYL

DOHC 16V SMPI

TRANSMISSION

DGL = TRANSMISSION - 4-SPD.

AUTOMATIC, 41TE

DD5 = TRANSMISSION - 5-SPEED

MANUAL

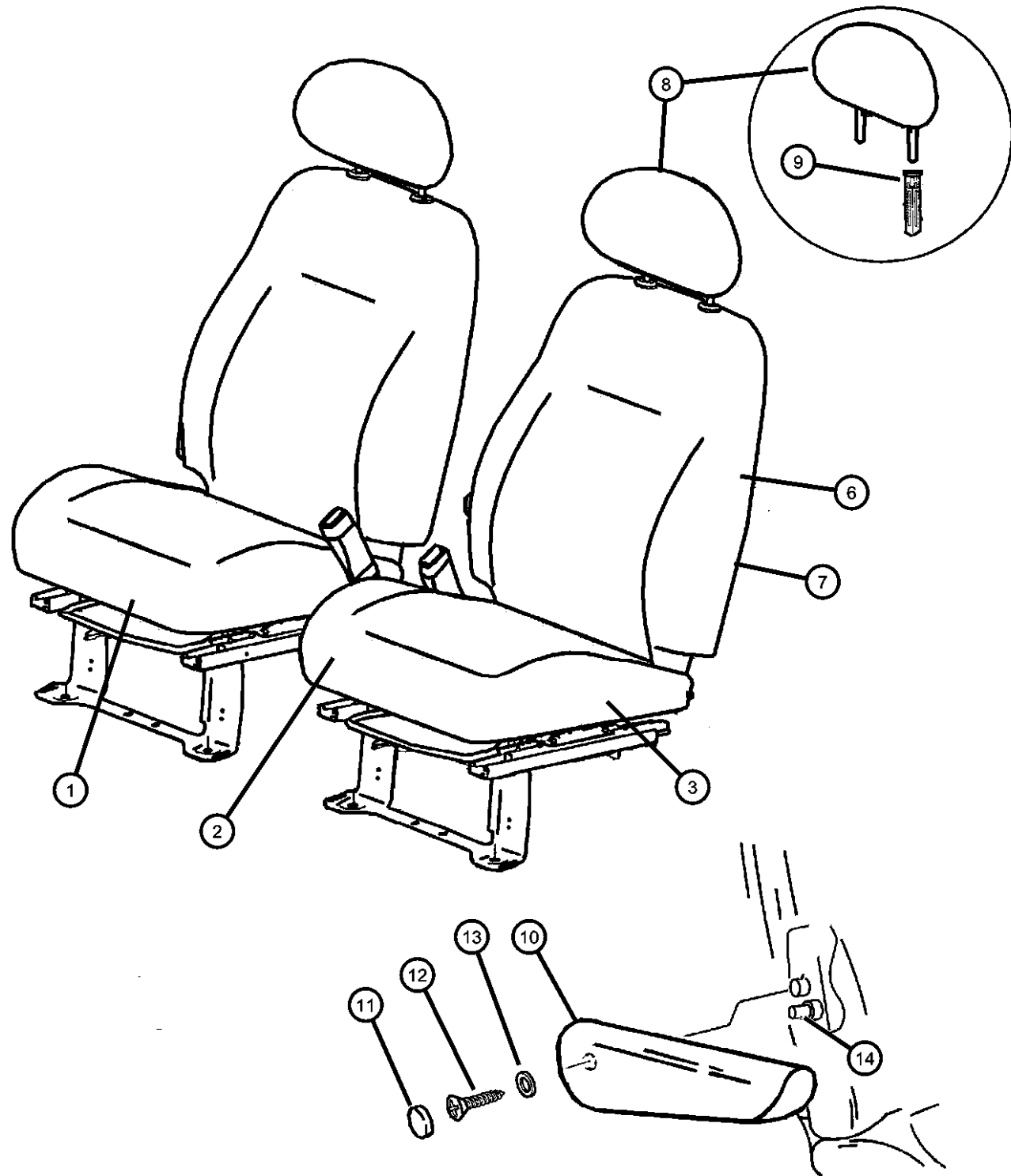
DDO = All Manual Transmissions

DGO = All Automatics

AR = use ase required - = Non illustrated part

2001 PT

Front Seat - Trim Code [GL]
Figure IPT-520



| ITEM | PART NUMBER | QTY | LINE | SERIES | BODY | ENGINE | TRANS | TRIM | DESCRIPTION |
|--|-------------|-----|------|--------|------|--------|-------|------|--------------------------------------|
| NOTE = When Ordering Item 6 Sleeve Headrest You Must Order CAP Headrest Adjuster | | | | | | | | | |
| 1 | | | | | | | | | CUSHION, Front Seat |
| | 0TT311FLAA | 2 | Z | | | | | *GL | [FL], Right & Left |
| | | 2 | C | | | | | *GL | [FL], Right & Left |
| | 0UL851FLAA | 1 | C | | | | | *GL | [FL] Heated, Right & Left |
| | | 1 | Z | | | | | *GL | [FL] Heated, Right & Left |
| | 0UZ701FLAA | 1 | Z | | | | | *GL | [FL], Fold Flat Only, Right |
| | 0UZ721FLAA | 1 | C | | | | | *GL | [FL], Fold Flat Only [Heated], Right |
| | | 1 | Z | | | | | *GL | [FL], Fold Flat Only [Heated], Right |
| | | 1 | C | | | | | *GL | [FL], Fold Flat Only, Right |
| 2 | | | | | | | | | COVER, Front Seat Cushion |
| | 0TT371FLAA | 2 | Z | | | | | *GL | [FL], Right & Left |
| | | 2 | C | | | | | *GL | [FL], Right & Left |
| | 0UL871FLAA | 2 | C | | | | | *GL | [FL], Heated, Right & Left |
| | | 2 | Z | | | | | *GL | [FL], Heated, Right & Left |
| | 0UZ731FLAA | 1 | C | | | | | *GL | [FL] Fold Flat Only [Heated] |
| | | 1 | Z | | | | | *GL | [FL] Fold Flat Only [Heated] |
| | 0UZ711FLAA | 1 | C | | | | | *GL | [FL] Fold Flat Only |
| | | 1 | Z | | | | | *GL | [FL] Fold Flat Only |
| 3 | | | | | | | | | FOAM, Seat Cushion |
| | 05086527AA | 2 | C | | | | | *GL | Left |
| | | 2 | Z | | | | | *GL | Left |
| | 05086528AA | 2 | C | | | | | *GL | Right |
| | | 2 | Z | | | | | *GL | Right |
| -4 | | | | | | | | | PAD, Heater |
| | 05102444AA | 2 | C | | | | | *GL | Female Plug |
| | | 2 | Z | | | | | *GL | Female Plug |
| | 05114089AA | 1 | C | | | | | *GL | Male Plug |
| | | 1 | Z | | | | | *GL | Male Plug |
| -5 | | | | | | | | | FRAME, Seat cushion |
| | 05104708AA | 2 | C | | | | | *GL | Right & Left |
| | | 2 | Z | | | | | *GL | Right & Left |
| 6 | | | | | | | | | SEAT BACK, Front |

PT CRUISER (PT)

SERIES LINE
H = HIGHLINE Z = CHRYSLER (RHD)
C = CHRYSLER, LHD

BODY
44 = Four Door

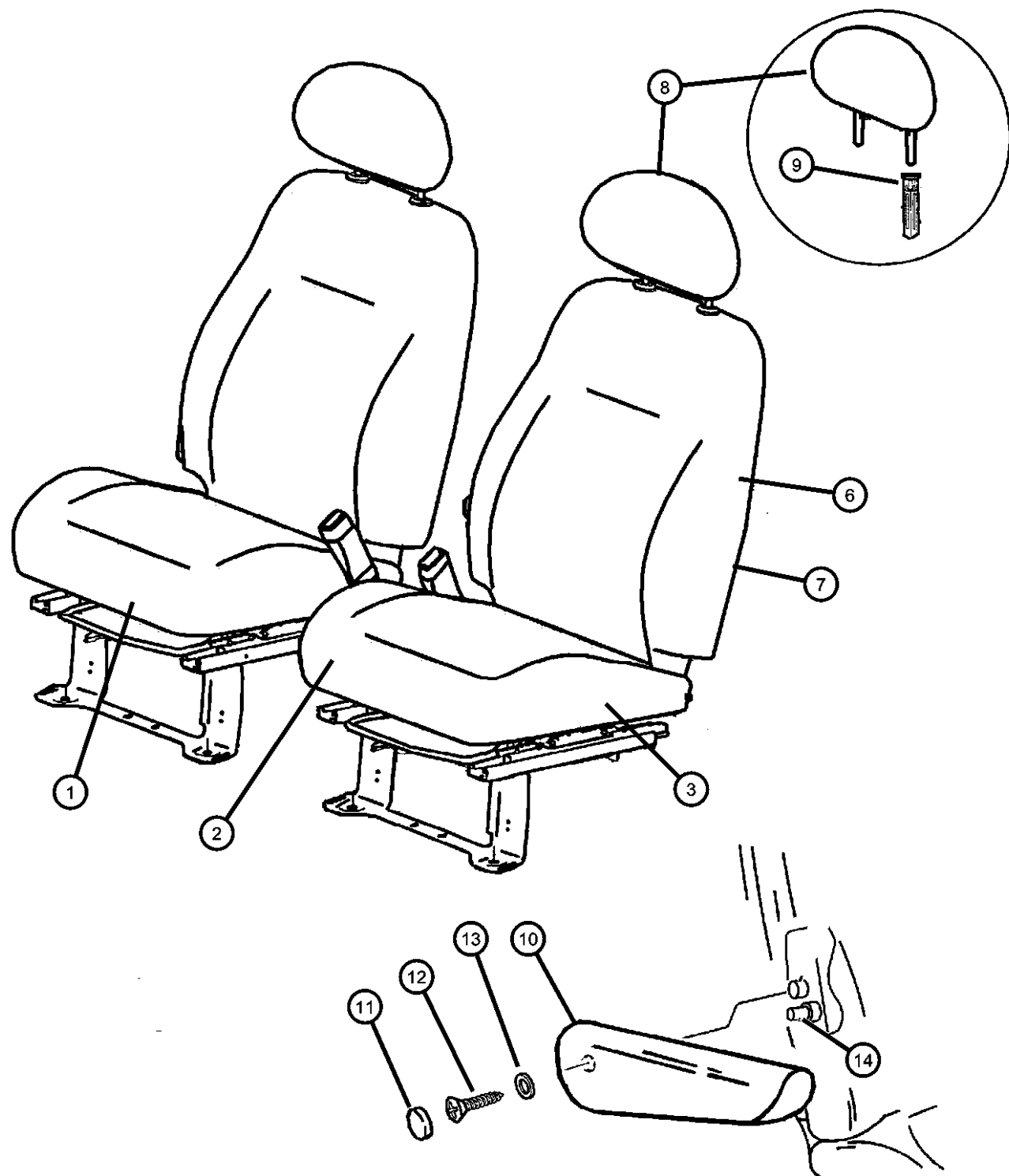
ENGINE
ECC = ENGINE - 2.0L 4 CYL
DOHC 16V SMPI
EDZ = ENGINE - 2.4L 4 CYL
DOHC 16V SMPI

TRANSMISSION
DGL = TRANSMISSION - 4-SPD.
AUTOMATIC, 41TE
DD5 = TRANSMISSION - 5-SPEED
MANUAL
DDO = All Manual Transmissions
DGO = All Automatics

AR = use ase required - = Non illustrated part

2001 PT

Front Seat - Trim Code [GL]
Figure IPT-520



| ITEM | PART NUMBER | QTY | LINE | SERIES | BODY | ENGINE | TRANS | TRIM | DESCRIPTION |
|------|-------------|-----|------|--------|------|--------|-------|------|--|
| | 0TT331FLAA | 1 | C | | | | | *GL | [FL], (Use Up To 7-1-00), Left |
| | 0TT331FLAB | 1 | C | | | | | *GL | [FL], (Use After 7-1-00), Left |
| | 0TT321FLAA | 1 | C | | | | | *GL | [FL], Right |
| | 0TT341FLAB | 1 | Z | | | | | *GL | [FL], (Use After 7-1-00), Right |
| | 0TT341FLAA | 1 | Z | | | | | *GL | [FL], (Use Up To 7-1-00), Right |
| | 0UV601FLAA | 1 | C | | | | | *GL | [FL], Heated, Right |
| | 0UV611FLAA | 1 | C | | | | | *GL | [FL], Heated, Left |
| | 0TT351FLAA | 1 | Z | | | | | *GL | [FL], Left |
| 7 | 0TT351FLAA | 1 | | | | | | | COVER, Front Seat Back, (NOT SERVICED), |
| 8 | | | | | | | | | HEADREST, Front |
| | 0TT361FLAA | 2 | Z | | | | | *GL | [FL] (Use Up To 7-18-00), Right & Left |
| | | 2 | C | | | | | *GL | [FL] (Use Up To 7-18-00), Right & Left |
| | 0UZ971FLAA | 2 | C | | | | | *GL | [FL] (Use After 7-18-00), Right & Left |
| | | 2 | Z | | | | | *GL | [FL] (Use After 7-18-00), Right & Left |
| 9 | | | | | | | | | SLEEVE, Headrest |
| | 05066563AA | 5 | C | | | | | *GL | |
| | | 5 | Z | | | | | *GL | |
| 10 | | | | | | | | | ARMREST, Seat |
| | 0MW081FL | 1 | C | | | | | *GL | [FL], Right |
| | | 1 | Z | | | | | *GL | [FL], Right |
| | 0MW091FL | 1 | C | | | | | *GL | [FL], Left |
| | | 1 | Z | | | | | *GL | [FL], Left |
| 11 | | | | | | | | | PLUG, Armrest |
| | 0WU501FL | 2 | C | | | | | *GL | [FL] |
| | 0WU50WL8 | 2 | Z | | | | | *GL | [FL] |
| 12 | 06503287 | 2 | Z | | | | | *GL | SCREW, Pan Head, M8x1.25x41.5, Armrest Attaching |
| 13 | 04882234 | 2 | Z | | | | | *GL | WASHER, Wave, .520x.745, Armrest Pivot |
| 14 | 06503286 | 2 | Z | | | | | *GL | SCREW, Special Head, M8x1.25x32.5, Armrest Stop |
| -15 | | | | | | | | | PANEL, Front Seat Back |
| | 0TZ921FLAA | 2 | C | | | | | *GL | [FL], With Map Pocket |

PT CRUISER (PT)

SERIES LINE
H = HIGHLINE Z = CHRYSLER (RHD)
C = CHRYSLER, LHD

BODY
44 = Four Door

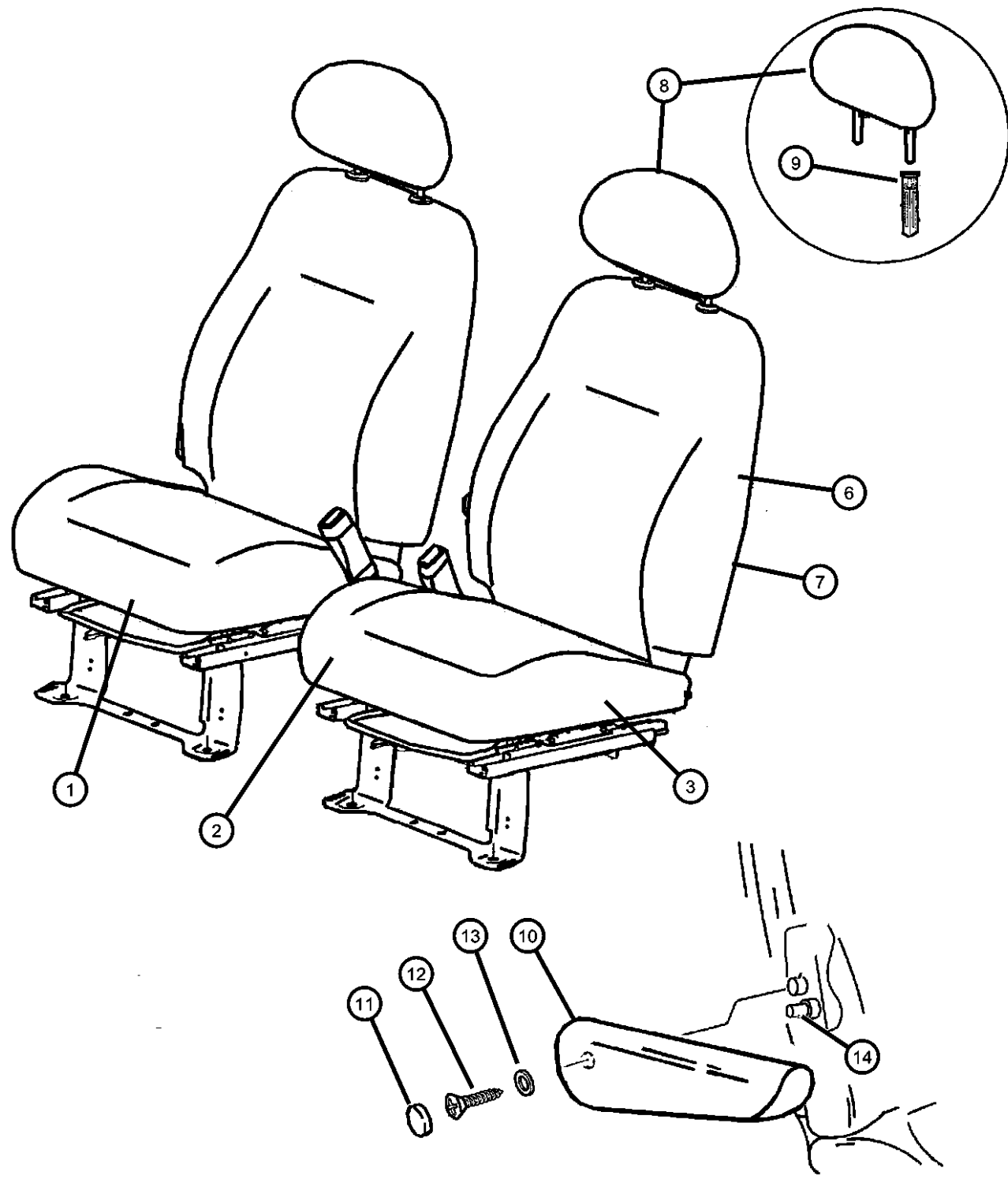
ENGINE
ECC = ENGINE - 2.0L 4 CYL
DOHC 16V SMPI
EDZ = ENGINE - 2.4L 4 CYL
DOHC 16V SMPI

TRANSMISSION
DGL = TRANSMISSION - 4-SPD.
AUTOMATIC, 41TE
DD5 = TRANSMISSION - 5-SPEED
MANUAL
DDO = All Manual Transmissions
DGO = All Automatics

AR = use ase required - = Non illustrated part

2001 PT

Front Seat - Trim Code [GL]
Figure IPT-520



| ITEM | PART NUMBER | QTY | LINE | SERIES | BODY | ENGINE | TRANS | TRIM | DESCRIPTION |
|------|-------------|-----|------|--------|------|--------|-------|------|--|
| | 0UL511FLAA | 2 | C | | | | | *GL | [FL], Without Map Pocket |
| | | 2 | Z | | | | | *GL | [FL], Without Map Pocket |
| | | 2 | Z | | | | | *GL | [FL], With Map Pocket |
| -16 | | | | | | | | | COVER, A/B Frt Seat Back, [Plug Headrest Adjuster] |
| | 05016781AA | 1 | C | | | | | *R7 | Air Bag |
| | | 1 | Z | | | | | *R7 | Air Bag |
| | | 1 | C | | | | | *GL | Air Bag |
| | | 1 | Z | | | | | *GL | Air Bag |
| -17 | | | | | | | | | CAP, Headrest Adjuster |
| | 05019494AA | 1 | C | | | | | *GL | With Button, Right |
| | | 1 | Z | | | | | *GL | With Button, Right |
| | 05019495AA | 1 | C | | | | | *GL | Without Button, Left |
| | | 1 | Z | | | | | *GL | Without Button, Left |

PT CRUISER (PT)

SERIES

H = HIGHLINE

LINE

Z = CHRYSLER (RHD)

C = CHRYSLER, LHD

BODY

44 = Four Door

ENGINE

ECC = ENGINE - 2.0L 4 CYL

DOHC 16V SMPI

EDZ = ENGINE - 2.4L 4 CYL

DOHC 16V SMPI

TRANSMISSION

DGL = TRANSMISSION - 4-SPD.

AUTOMATIC, 41TE

DD5 = TRANSMISSION - 5-SPEED

MANUAL

DDO = All Manual Transmissions

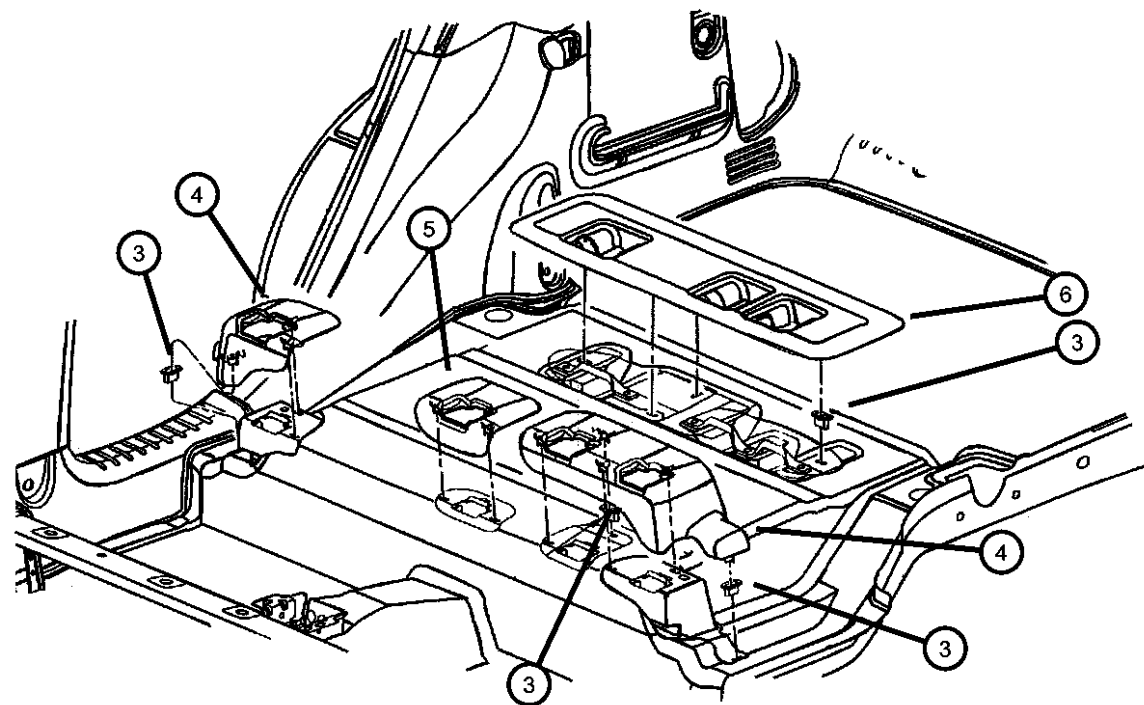
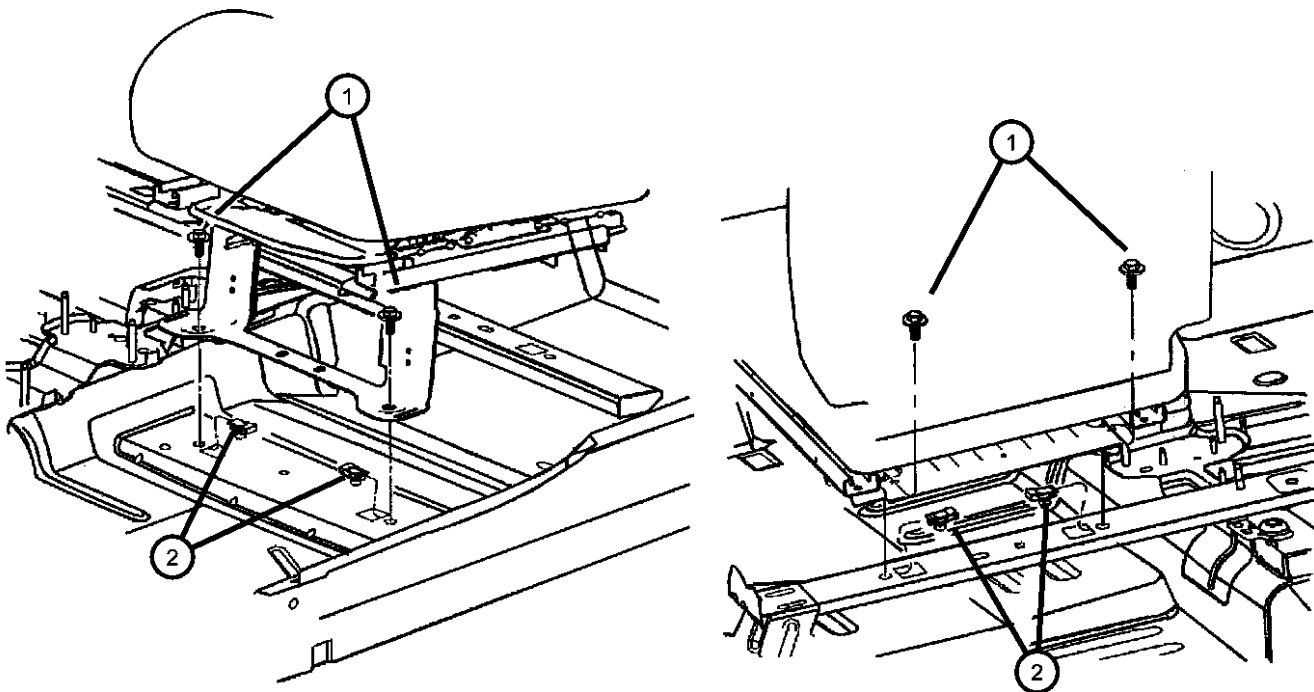
DGO = All Automatics

AR = use ase required - = Non illustrated part

2001 PT

Front Seat - Attaching Parts
Figure IPT-530

| ITEM | PART NUMBER | QTY | LINE | SERIES | BODY | ENGINE | TRANS | TRIM | DESCRIPTION |
|------|-------------|-----|------|--------|------|--------|-------|------|---|
| 1 | 06505996AA | 8 | | | | | | | SCREW AND WASHER, M10x1.5x25, Front Seat Riser To Floor Attaching |
| 2 | 06503679 | 8 | | | | | | | NUT, M10x1.50, Front Seat Riser To Floor Attaching |
| 3 | 06505670AA | 8 | | | | | | | NUT, Plastic, Pivot Bezel Attaching |
| 4 | | | | | | | | | BEZEL, Seat Pivot |
| | 0TK86WL8AB | 1 | | | | | | *O0 | Taupe, Right |
| | 0TK87WL8AB | 1 | | | | | | *O0 | Taupe, Left |
| 5 | 0TK88WL8AC | 1 | | | | | | *O0 | BEZEL, Seat Pivot, Taupe, Center |
| 6 | 0SA27WL8AA | 1 | | | | | | *O0 | LATCH, Seat, Taupe |
| -7 | 06503167 | 4 | | | | | | *O0 | CLIP, Trim Panel, Seat Stricker Bezels |
| -8 | | | | | | | | | CABLE, Recliner |
| | 05072454AA | 1 | C | | | | | *R7 | Left |
| | | 1 | C | | | | | *R7 | Base Model (Velocity) Only, Right |
| | | 1 | Z | | | | | *R7 | Left |
| | | 1 | C | | | | | *GL | Left |
| | | 1 | Z | | | | | *GL | Left |



PT CRUISER (PT)

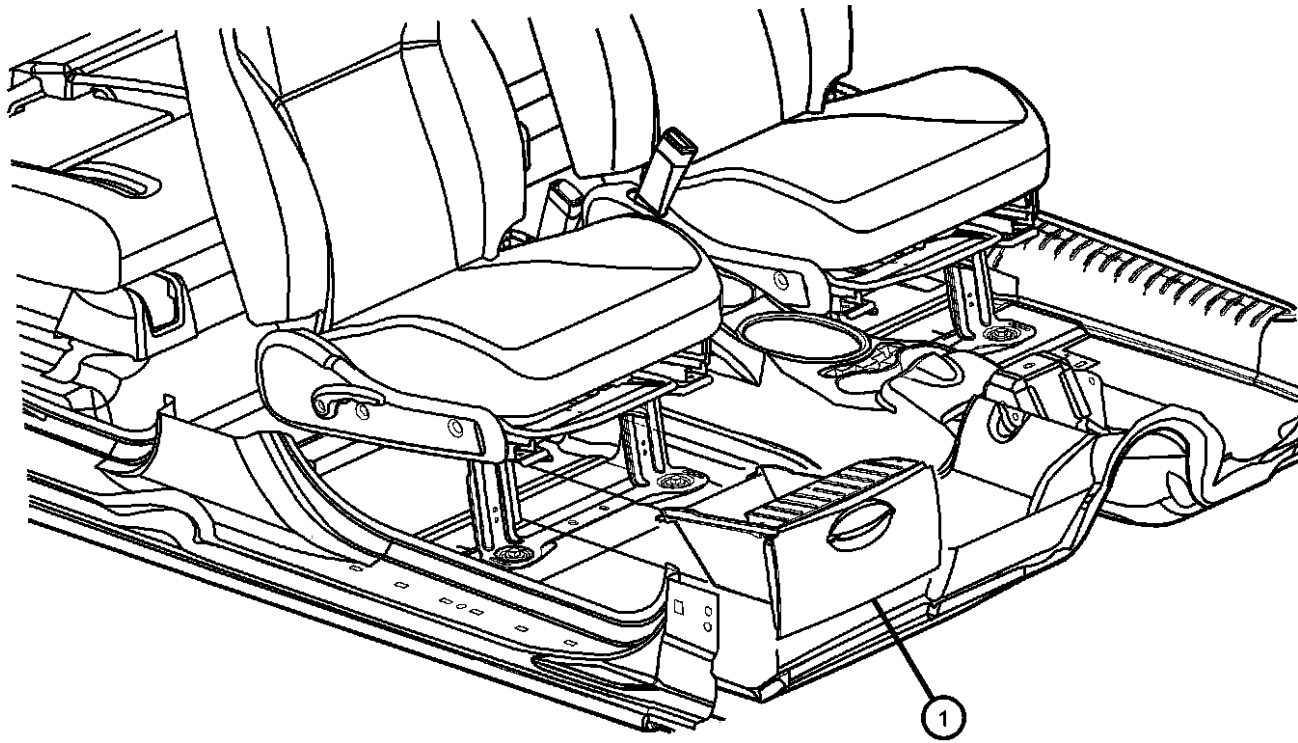
| | | | | |
|--------------|---|----------------|--|--|
| SERIES | LINE | BODY | ENGINE | TRANSMISSION |
| H = HIGHLINE | Z = CHRYSLER (RHD) C = CHRYSLER, LHD | 44 = Four Door | ECC = ENGINE - 2.0L 4 CYL DOHC 16V SMPI EDZ = ENGINE - 2.4L 4 CYL DOHC 16V SMPI | DGL = TRANSMISSION - 4-SPD. AUTOMATIC, 41TE DD5 = TRANSMISSION - 5-SPEED MANUAL DDO = All Manual Transmissions DGO = All Automatics |

AR = use ase required - = Non illustrated part

2001 PT

Front Seat - Storage Bin
Figure IPT-540

| ITEM | PART NUMBER | QTY | LINE | SERIES | BODY | ENGINE | TRANS | TRIM | DESCRIPTION |
|------|-------------|-----|------|--------|------|--------|-------|------|--------------|
| 1 | 0TK65WL8AB | 1 | | | | | | *O0 | BIN, Storage |



PT CRUISER (PT)

SERIES

LINE

BODY

ENGINE

TRANSMISSION

H = HIGHLINE

Z = CHRYSLER (RHD)

44 = Four Door

ECC = ENGINE - 2.0L 4 CYL

DGL = TRANSMISSION - 4-SPD.

DOHC 16V SMPI

AUTOMATIC, 41TE

EDZ = ENGINE - 2.4L 4 CYL

DD5 = TRANSMISSION - 5-SPEED

DOHC 16V SMPI

MANUAL

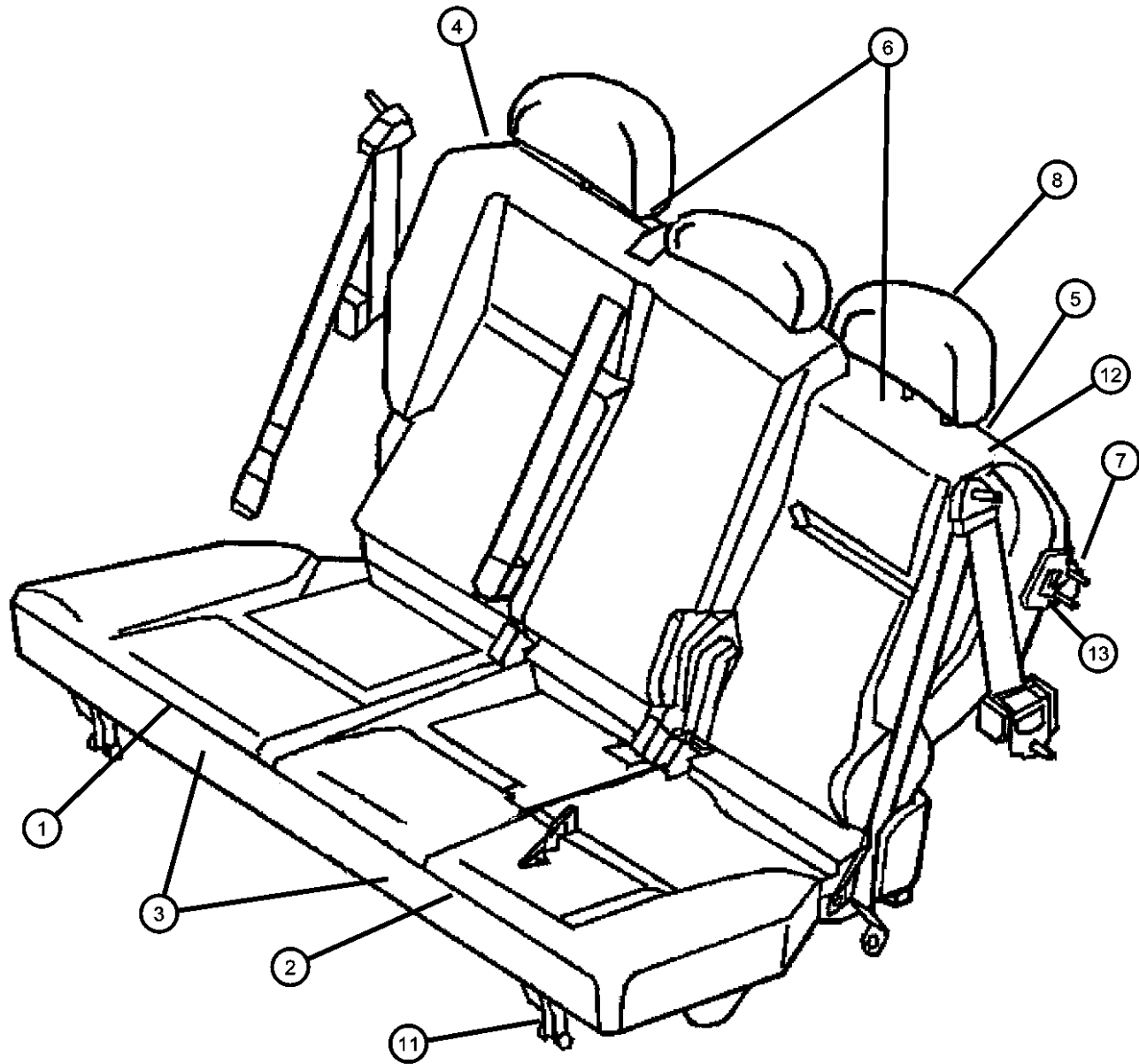
DDO = All Manual Transmissions

DGO = All Automatics

AR = use ase required - = Non illustrated part

2001 PT

**Rear Seat - Trim Code [R7]
Figure IPT-610**



| ITEM | PART NUMBER | QTY | LINE | SERIES | BODY | ENGINE | TRANS | TRIM | DESCRIPTION |
|------|-------------|-----|------|--------|------|--------|-------|------|-------------|
|------|-------------|-----|------|--------|------|--------|-------|------|-------------|

Note:
 ABB=European Equipment Group
 CDW=Seat - Fold Flat - Front Passenger
 CGS=Air Bags - Side
 JPN=Seat - Power Height Adjuster
 NOTE: To Replace Child Seat Anchor Order:
 Vehicles Built Up To 3/16/01: Frame 05114030AA, 5135671AA Bracket, & 5135672AA Spacer.
 Vehicles Built After 3/16/01: Frame 05114030AA Only

| | | | | | | | | | |
|---|------------|---|---|--|--|--|--|-----|---|
| 1 | | | | | | | | | CUSHION, Rear Seat, 60%, See Note |
| | 0TQ341FLAA | 1 | Z | | | | | *R7 | [FL], Right |
| | | 1 | C | | | | | *R7 | [FL], Right |
| 2 | | | | | | | | | CUSHION, Rear Seat, 40% |
| | 0TQ351FLAA | 1 | Z | | | | | *R7 | [FL], Left |
| | | 1 | C | | | | | *R7 | [FL], Left |
| 3 | | | | | | | | | COVER, Rear Seat Cushion |
| | 0TQ401FLAA | 1 | C | | | | | *R7 | [FL], (60% Side), Right |
| | 0TQ411FLAA | 1 | C | | | | | *R7 | [FL], (40% Side), Left |
| 4 | | | | | | | | | SEAT BACK, Rear, 60% |
| | 0TQ361FLAA | 1 | C | | | | | *R7 | [FL], Without Sales Codes [CDW, ABB, CGS and JPN], Right |
| | 0TQ381FLAA | 1 | C | | | | | *R7 | [FL], With Sales Codes [CDW], Without [ABB, CGS, and JPN], Right |
| | | 1 | C | | | | | *R7 | [FL], With Sales Codes [CDW and JPN] Without [ABB and CGS], Right |
| | | 1 | C | | | | | *R7 | [FL] With Sales Codes [CGS and CDW], Without [ABB and JPN], Right |
| | 0TS841FLAA | 1 | Z | | | | | *R7 | [FL], With Sales Codes [CDW and JPN], Without [CGS], Right |
| | | 1 | C | | | | | *R7 | [FL] With Sales Codes [ABB, CDW and JPN] Without [CGS], Right |
| | | 1 | C | | | | | *R7 | [FL] With Sales Codes [ABB, CGS, CDW, JPN], Right |
| | | 1 | Z | | | | | *R7 | [FL] With Sales Codes [CGS, CDW and JPN], Right |
| | 0UP321FLAA | 1 | C | | | | | *R7 | [FL] Without Headrest, Right |
| 5 | | | | | | | | | SEAT BACK, Rear, 40% |

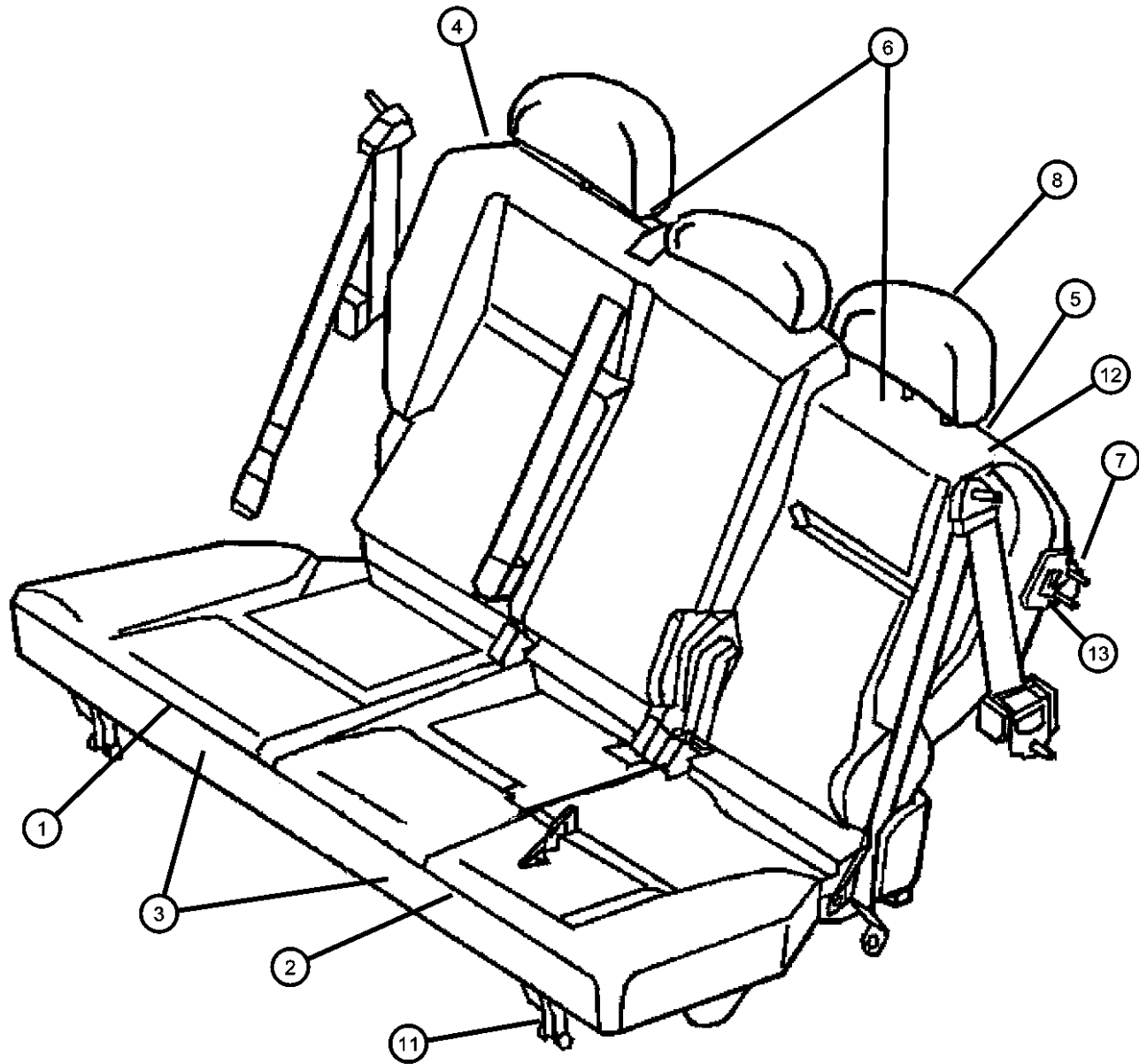
PT CRUISER (PT)

| | | | | |
|--------------|---|----------------|--|--|
| SERIES | LINE | BODY | ENGINE | TRANSMISSION |
| H = HIGHLINE | Z = CHRYSLER (RHD) C = CHRYSLER, LHD | 44 = Four Door | ECC = ENGINE - 2.0L 4 CYL DOHC 16V SMPI EDZ = ENGINE - 2.4L 4 CYL DOHC 16V SMPI | DGL = TRANSMISSION - 4-SPD. AUTOMATIC, 41TE DD5 = TRANSMISSION - 5-SPEED MANUAL DDO = All Manual Transmissions DGO = All Automatics |

AR = use ase required - = Non illustrated part

2001 PT

Rear Seat - Trim Code [R7]
Figure IPT-610



| ITEM | PART NUMBER | QTY | LINE | SERIES | BODY | ENGINE | TRANS | TRIM | DESCRIPTION |
|------|-------------|-----|------|--------|------|--------|-------|------|--|
| | 0TQ371FLAA | 1 | C | | | | | *R7 | [FL] Without Sales Codes [CDW,ABB, CGS and JPN], Left |
| | 0TQ391FLAA | 1 | C | | | | | *R7 | [FL], With Sales Codes [CDW], Without [ABB, CGS, and JPN], Left |
| | | 1 | C | | | | | *R7 | [FL], With Sales Codes [CDW and JPN] Without [ABB and CGS], Left |
| | | 1 | C | | | | | *R7 | [FL] With Sales Codes [CGS and CDW], Without [ABB and JPN], Left |
| | 0TS851FLAA | 1 | Z | | | | | *R7 | [FL], With Sales Codes[CDW and JPN], Without [CGS], Left |
| | | 1 | C | | | | | *R7 | [FL] With Sales Codes [ABB, CDW and JPN] Without [CGS], Left |
| | | 1 | C | | | | | *R7 | [FL] With Sales Codes [ABB, CGS, CDW, JPN], Left |
| | | 1 | Z | | | | | *R7 | [FL] With Sales Codes [CGS, CDW and JPN], Left |
| | 0UP331FLAA | 1 | C | | | | | *R7 | [FL], Without Headrest, Left |
| 6 | | | | | | | | | COVER, Rear Seat Back |
| | 0TQ461FLAA | 1 | C | | | | | *R7 | [FL] Without [CDW,ABB, CGS and JPN], Right |
| | 0TQ471FLAA | 1 | C | | | | | *R7 | [FL] Without [CDW,ABB, CGS and JPN], Left |
| | 0TQ501FLAA | 1 | C | | | | | *R7 | [FL], With [CDW], Without [ABB, CGS, and JPN], Right |
| | | 1 | C | | | | | *R7 | [FL], With [CDW and JPN] Without [ABB and CGS], Right |
| | | 1 | C | | | | | *R7 | [FL] With [CGS and CDW], Without [ABB and JPN], Right |
| | 0TQ511FLAA | 1 | C | | | | | *R7 | [FL], With [CDW], Without [ABB, CGS, and JPN], Left |
| | | 1 | C | | | | | *R7 | [FL], With [CDW and JPN] Without [ABB and CGS], Left |
| | | 1 | C | | | | | *R7 | [FL] With [CGS and CDW], Without [ABB and JPN], Left |
| | 0TS881FLAA | 1 | Z | | | | | *R7 | [FL], With [CDW and JPN], Without [CGS], Right |
| | | 1 | C | | | | | *R7 | [FL] With [ABB, CDW and JPN] Without [CGS], Right |
| | | 1 | C | | | | | *R7 | [FL] With Sales Codes [ABB, CGS, CDW, JPN], Right |
| | | 1 | Z | | | | | *R7 | [FL] With Sales Codes [CGS, CDW and JPN], Right |

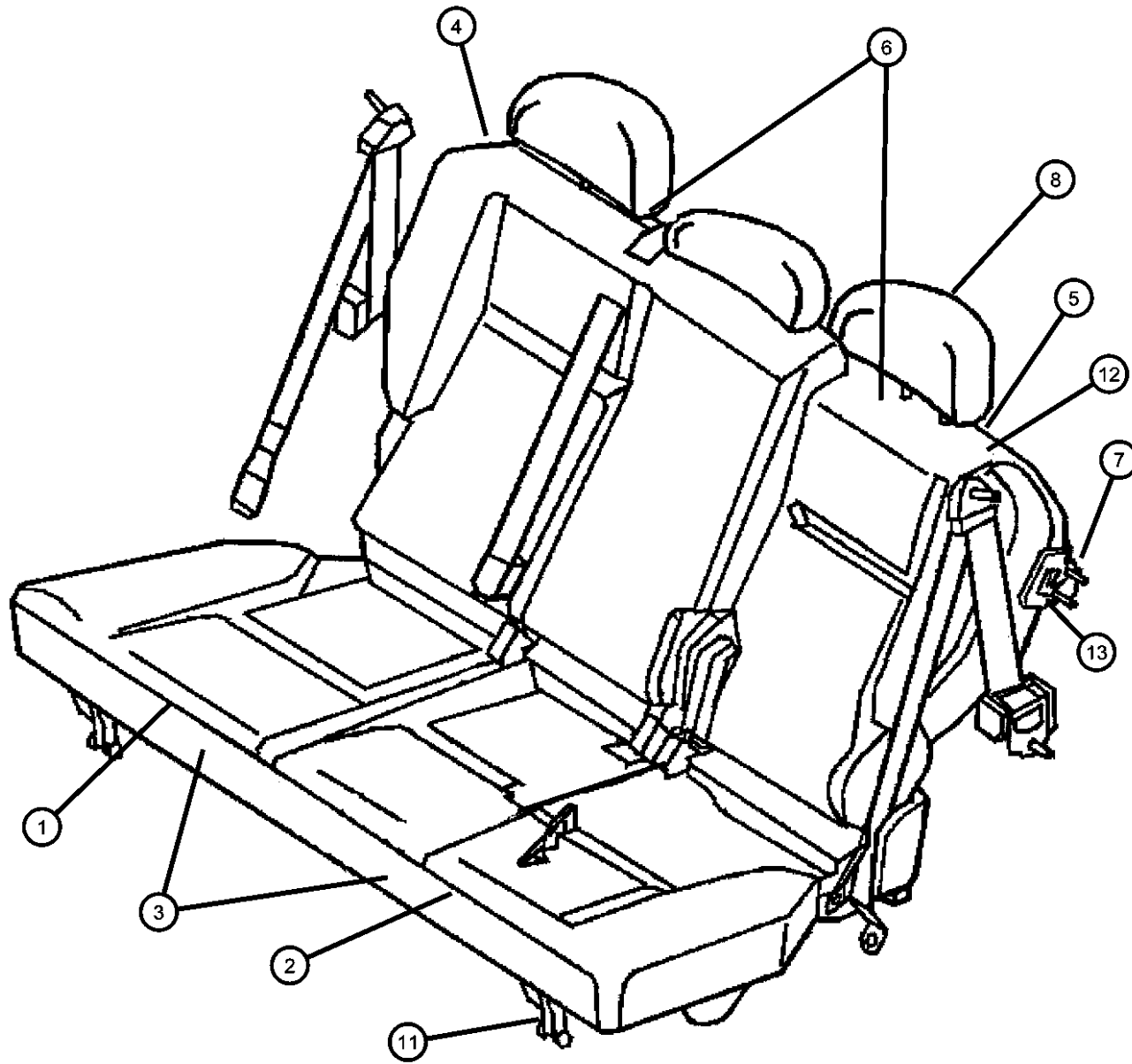
PT CRUISER (PT)

| | | | | |
|--------------|---|----------------|--|---|
| SERIES | LINE | BODY | ENGINE | TRANSMISSION |
| H = HIGHLINE | Z = CHRYSLER (RHD) C = CHRYSLER, LHD | 44 = Four Door | ECC = ENGINE - 2.0L 4 CYL DOHC 16V SMPI EDZ = ENGINE - 2.4L 4 CYL DOHC 16V SMPI | DGL = TRANSMISSION - 4-SPD. AUTOMATIC,41TE DD5 = TRANSMISSION - 5-SPEED MANUAL DDO = All Manual Transmissions DGO = All Automatics |

AR = use ase required - = Non illustrated part

2001 PT

Rear Seat - Trim Code [R7]
Figure IPT-610



| ITEM | PART NUMBER | QTY | LINE | SERIES | BODY | ENGINE | TRANS | TRIM | DESCRIPTION |
|------|-------------|-----|------|--------|------|--------|-------|------|--|
| | OTS891FLAA | 1 | Z | | | | | *R7 | [FL], With [CDW and JPN], Without [CGS], Left |
| | | 1 | C | | | | | *R7 | [FL] With [ABB, CDW and JPN] Without [CGS], Left |
| | | 1 | C | | | | | *R7 | [FL] With Sales Codes [ABB, CGS, CDW, JPN], Left |
| | | 1 | Z | | | | | *R7 | [FL] With Sales Codes [CGS, CDW and JPN], Left |
| 7 | | | | | | | | | LATCH, Seat |
| | 0ZL621FLAA | 1 | C | | | | | *R7 | [FL] With Cable, Right |
| | | 1 | Z | | | | | *R7 | [FL] With Cable, Right |
| | 0ZL631FLAA | 1 | C | | | | | *R7 | Left |
| | | 1 | Z | | | | | *R7 | Left |
| 8 | | | | | | | | | HEADREST, Rear |
| | 0ZN391FLAA | 1 | Z | | | | | *R7 | [FL], Outboard, Right & Left |
| | | 1 | C | | | | | *R7 | [FL], Outboard, Right & Left |
| | 0ZN411FLAA | 1 | Z | | | | | *R7 | [FL], Center |
| | | 1 | C | | | | | *R7 | [FL], Center |
| -9 | 05066017AA | 1 | Z | | | | | *R7 | SLEEVE, Headrest |
| -10 | | | | | | | | | CAP, Headrest Adjuster |
| | 05066018AA | 1 | Z | | | | | *R7 | Right |
| | 05066019AA | 1 | Z | | | | | *R7 | Left |
| 11 | 05066019AA | 1 | | | | | | | BRACKET, Serviced With Seat Cushion Only, (NOT SERVICED) |
| 12 | 05019978AA | 1 | C | | | | | *R7 | BEZEL, Seat Release |
| 13 | | | | | | | | | BEZEL, Seat Latch |
| | 0WA921FLAA | 3 | C | | | | | *GL | [FL] |
| | | 3 | Z | | | | | *GL | [FL] |
| | | 3 | C | | | | | *R7 | [FL] |
| | | 3 | Z | | | | | *R7 | [FL] |
| -14 | | | | | | | | | RETAINER, Cushion Cover |
| | 05019522AA | 1 | C | | | | | *R7 | Holds Carpet and Plastic Guard In Place On Seat Back |
| | | 1 | Z | | | | | *R7 | Holds Carpet and Plastic Guard In Place On Seat Back |

PT CRUISER (PT)

SERIES LINE

H = HIGHLINE Z = CHRYSLER (RHD)
C = CHRYSLER, LHD

BODY

44 = Four Door

ENGINE

ECC = ENGINE - 2.0L 4 CYL DOHC 16V SMPI
EDZ = ENGINE - 2.4L 4 CYL DOHC 16V SMPI

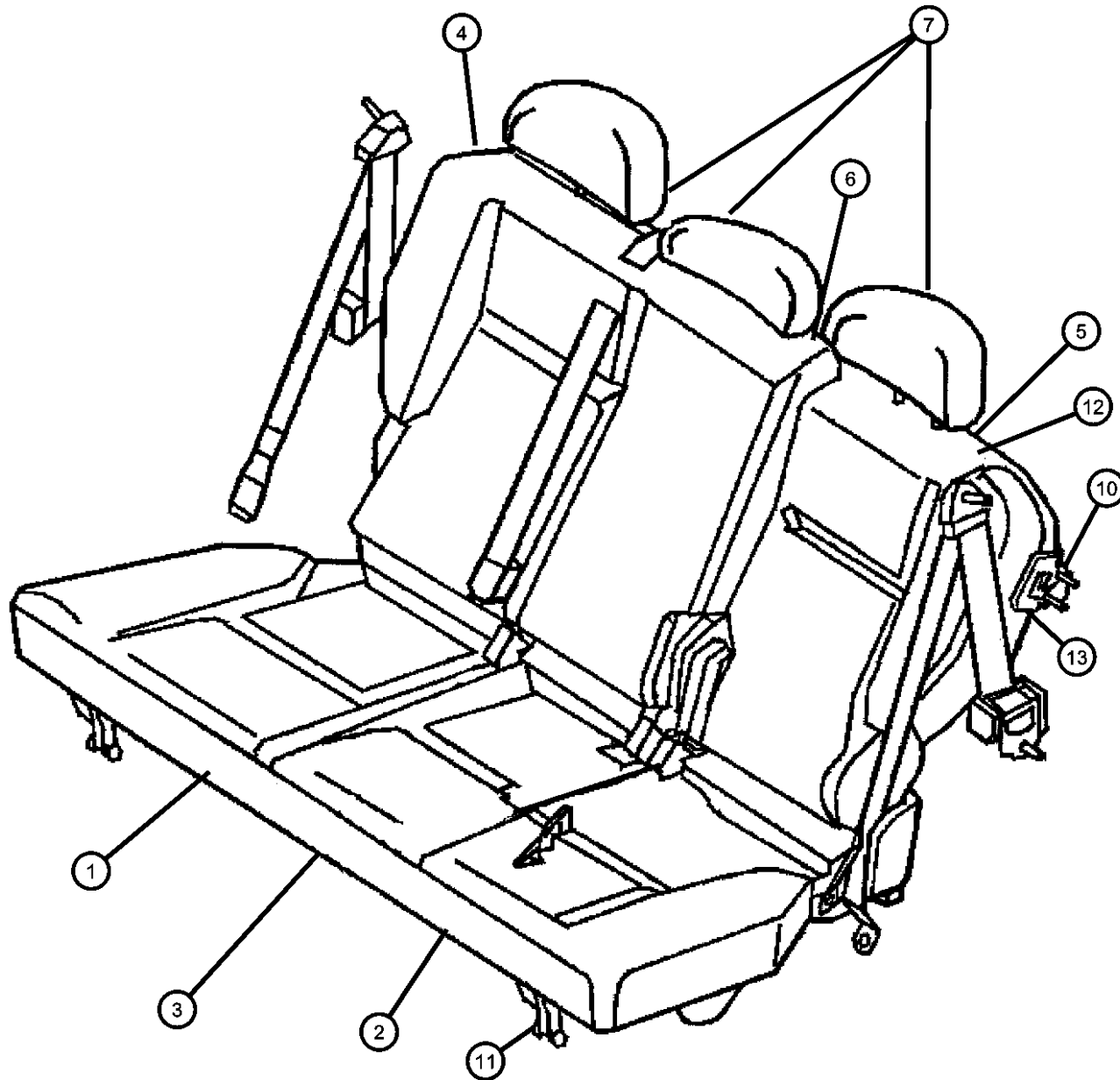
TRANSMISSION

DGL = TRANSMISSION - 4-SPD. AUTOMATIC, 41TE
DD5 = TRANSMISSION - 5-SPEED MANUAL
DDO = All Manual Transmissions
DGO = All Automatics

AR = use ase required - = Non illustrated part

2001 PT

**Rear Seat - Trim Code [GL]
Figure IPT-620**



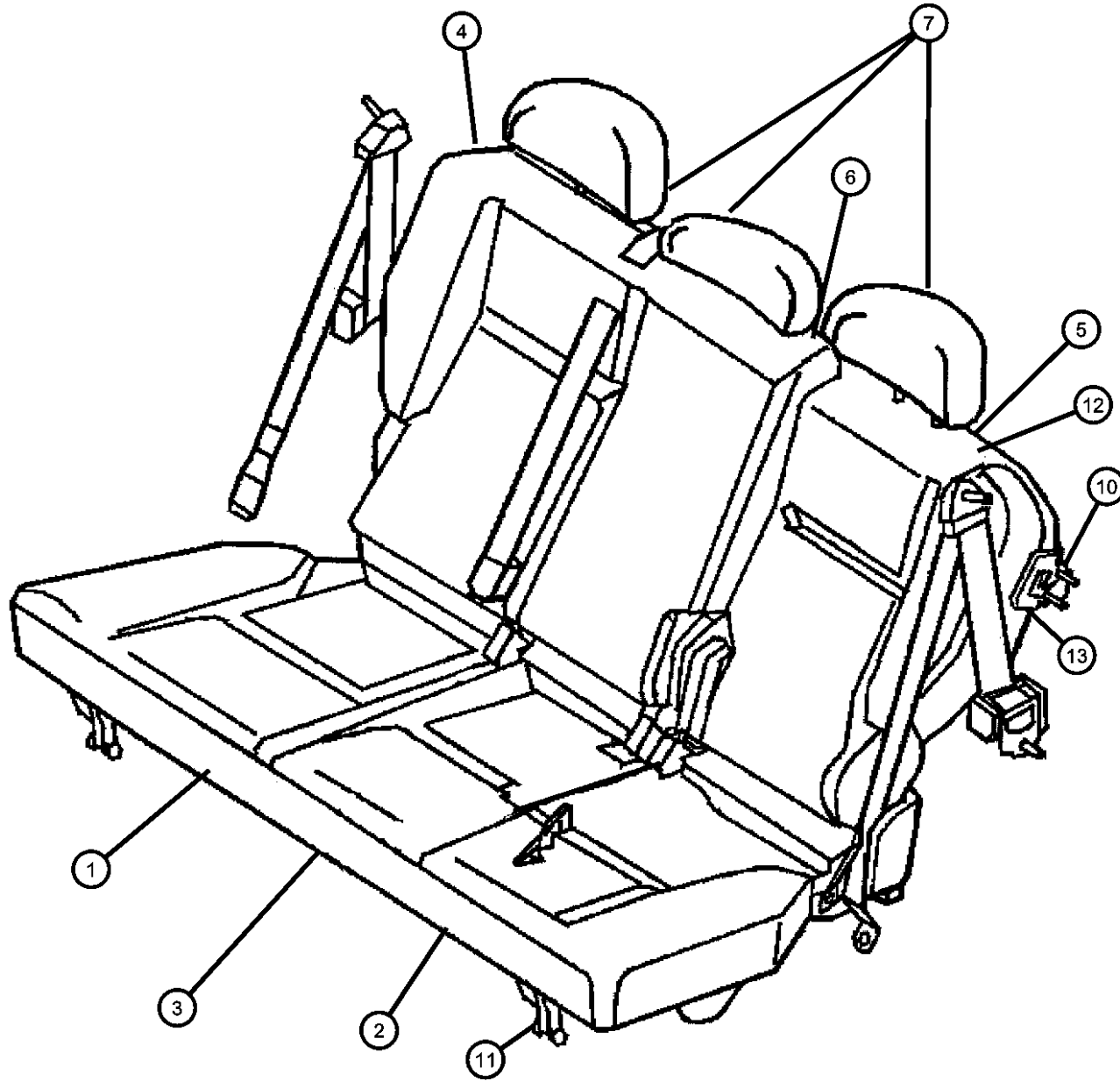
| ITEM | PART NUMBER | QTY | LINE | SERIES | BODY | ENGINE | TRANS | TRIM | DESCRIPTION |
|--|-------------|-----|------|--------|------|--------|-------|------|---|
| NOTE: To Replace Child Seat Anchor Order: Vehicles Built Up To 3/16/01: Frame 05114030AA, 5135671AA Bracket, & 5135672AA Spacer. Vehicles Built After 3/16/01: Frame 05114030AA Only | | | | | | | | | |
| 1 | OTT381FLAA | 1 | Z | | | | | *GL | CUSHION, Rear Seat, 60%, See Note [FL], Right |
| | | 1 | C | | | | | *GL | [FL], Right |
| 2 | OTT391FLAA | 1 | Z | | | | | *GL | CUSHION, Rear Seat, 40% [FL], Left |
| | | 1 | C | | | | | *GL | [FL], Left |
| 3 | OTT481FLAA | 1 | Z | | | | | *GL | COVER, Rear Seat Cushion [FL], (60% Side), Right |
| | | 1 | C | | | | | *GL | [FL], (60% Side), Right |
| | OTT491FLAA | 1 | Z | | | | | *GL | [FL], (40% Side), Left |
| | | 1 | C | | | | | *GL | [FL], (40% Side), Left |
| 4 | OTT441FLAA | 1 | C | | | | | *GL | SEAT BACK, Rear, 60% Used With 3 Headrest, Right |
| | | 1 | Z | | | | | *GL | Used With 3 Headrest, Right |
| | OTT461FLAA | 1 | C | | | | | *GL | Used With 2 Headrest, Right |
| 5 | OTT451FLAA | 1 | C | | | | | *GL | SEAT BACK, Rear, 40% Used With 3 Headrest, Left |
| | | 1 | Z | | | | | *GL | Used With 3 Headrest, Left |
| | OTT471FLAA | 1 | C | | | | | *GL | Used With 2 Headrest, Left |
| 6 | OTT501FLAA | 1 | C | | | | | *GL | COVER, Rear Seat Back [FL] With European (60% Side), Right |
| | | 1 | Z | | | | | *GL | [FL] [RHD] (60% Side), Right |
| | OTT511FLAA | 1 | C | | | | | *GL | [FL] With European (40% Side), Left |
| | | 1 | Z | | | | | *GL | [FL] [RHD] (40% Side), Left |
| | OTT521FLAA | 1 | C | | | | | *GL | [FL] Without European (60% Side), Right |
| | OTT531FLAA | 1 | C | | | | | *GL | [FL] Without European (40% Side), Left |
| 7 | 0ZN401FLAA | 1 | C | | | | | *GL | HEADREST, Rear [FL], Outboard, Right & Left |
| | | 1 | Z | | | | | *GL | [FL], Outboard, Right & Left |

PT CRUISER (PT)

| | | | | |
|--------------|---|----------------|--|--|
| SERIES | LINE | BODY | ENGINE | TRANSMISSION |
| H = HIGHLINE | Z = CHRYSLER (RHD) C = CHRYSLER, LHD | 44 = Four Door | ECC = ENGINE - 2.0L 4 CYL DOHC 16V SMPI EDZ = ENGINE - 2.4L 4 CYL DOHC 16V SMPI | DGL = TRANSMISSION - 4-SPD. AUTOMATIC, 41TE DD5 = TRANSMISSION - 5-SPEED MANUAL DDO = All Manual Transmissions DGO = All Automatics |

AR = use ase required - = Non illustrated part

Rear Seat - Trim Code [GL]
Figure IPT-620



| ITEM | PART NUMBER | QTY | LINE | SERIES | BODY | ENGINE | TRANS | TRIM | DESCRIPTION |
|------|-------------|-----|------|--------|------|--------|-------|------|---|
| | 0ZN431FLAA | 1 | C | | | | | *GL | [FL], Center |
| | | 1 | Z | | | | | *GL | [FL], Center |
| -8 | 05066017AA | 1 | Z | | | | | *GL | SLEEVE, Headrest |
| -9 | | | | | | | | | CAP, Headrest Adjuster |
| | 05066018AA | 1 | Z | | | | | *GL | Right |
| | 05066019AA | 1 | Z | | | | | *GL | Left |
| 10 | | | | | | | | | LATCH, Seat |
| | 0ZL621FLAA | 1 | C | | | | | *GL | [FL] With Cable, Right |
| | | 1 | Z | | | | | *GL | [FL] With Cable, Right |
| | 0ZL631FLAA | 1 | C | | | | | *GL | [FL], Left |
| | | 1 | Z | | | | | *GL | [FL], Left |
| 11 | | 1 | | | | | | | BRACKET, Serviced With Seat Cushion Only, (NOT SERVICED), |
| 12 | 05019978AA | 1 | C | | | | | *GL | BEZEL, Seat Release |
| 13 | | | | | | | | | BEZEL, Seat Latch |
| | 0WA921FLAA | 3 | C | | | | | *GL | [FL] |
| | | 3 | Z | | | | | *GL | [FL] |
| | | 3 | C | | | | | *R7 | [FL] |
| | | 3 | Z | | | | | *R7 | [FL] |
| -14 | | | | | | | | | RETAINER, Cushion Cover |
| | 05019522AA | 1 | C | | | | | *GL | Holds Carpet and Plastic Guard In Place On Seat Back |
| | | 1 | Z | | | | | *GL | Holds Carpet and Plastic Guard In Place On Seat Back |

PT CRUISER (PT)

SERIES H = HIGHLINE
 LINE Z = CHRYSLER (RHD)
 C = CHRYSLER, LHD

BODY
 44 = Four Door

ENGINE
 ECC = ENGINE - 2.0L 4 CYL DOHC 16V SMPI
 EDZ = ENGINE - 2.4L 4 CYL DOHC 16V SMPI
 TRANSMISSION
 DGL = TRANSMISSION - 4-SPD. AUTOMATIC, 41TE
 DD5 = TRANSMISSION - 5-SPEED MANUAL
 DDO = All Manual Transmissions
 DGO = All Automatics

AR = use ase required - = Non illustrated part

Seat Belt - Front
Figure IPT-710

| ITEM | PART NUMBER | QTY | LINE | SERIES | BODY | ENGINE | TRANS | TRIM | DESCRIPTION |
|---|-------------|-----|------|--------|------|--------|-------|------|---|
| Sales Code [ABB] [=] European Equipment Group | | | | | | | | | |
| 1 | 04645950AB | 2 | | | | | | | ADJUSTER, Seat Belt Turning Loop |
| 2 | 0SE69MF1AA | 2 | | | | | | *O0 | COVER, Seat Belt Turning Loop, [FL] |
| 3 | | | | | | | | | SEAT BELT, Front Outer |
| | 0RL281L8AB | 1 | C | | | | | *O0 | [FL], Without Sales Code [ABB] (Use Up To 6-2-00), Right |
| | 0RL281L8AD | 1 | C | | | | | *O0 | [FL], Without Sales Code [ABB] (Use After 6-2-00), Right |
| | 0RL291L8AB | 1 | C | | | | | *O0 | [FL], Without Sales Code [ABB] (Use Up To 6-2-00), Left |
| | 0RL291L8AD | 1 | C | | | | | *O0 | [FL], Without Sales Code [ABB] (Use After 6-2-00), Left |
| | 0RL301L8AC | 1 | C | | | | | *O0 | [FL], With Sales Code [ABB], Right |
| | 0RL311L8AC | 1 | C | | | | | *O0 | [FL], With Sales Code [ABB], Left |
| | 0RL321L8AC | 1 | Z | | | | | *O0 | [FL], Right |
| | 0RL331L8AC | 1 | Z | | | | | *O0 | [FL], Left |
| 4 | 04645780 | 2 | | | | | | | KNOB, Seat Belt Adjuster |
| 5 | 06506238AA | 2 | | | | | | | SCREW, Pan Head, Turn Loop Att Front |
| 6 | 06036180AA | 2 | | | | | | | SCREW, Pan Head, Seat Belt Anchor Att, Front, Outboard |
| 7 | 06032723 | 6 | | | | | | | SCREW, Self Tapping, M4.2x1.69x19.05, Seat Belt Web Guide Att |
| 8 | 04645944AB | 2 | | | | | | | STRIKER, Restraint Interlock, Seat Thether |
| 9 | 06501714 | 1 | | | | | | | SCREW AND WASHER, Hex Head, M6x1x18 |
| 10 | 06036187AA | 2 | | | | | | | SCREW, Pan Head, Seat Belt Retractor Attaching, Outboard |
| 11 | 04645945AA | 2 | | | | | | | COVER, B Pillar Trim Panel, Sight Shield |
| 12 | | | | | | | | | SEAT BELT, Front Inner |
| | 0TR541L8AA | 2 | C | | | | | *R7 | [FL] |
| | | 2 | C | | | | | *GL | [FL] |
| -13 | 04856560 | 1 | C | | | | | *O0 | EXTENDER, Seat Belt |
| 14 | 06033150 | 2 | | | | | | | NUT PLATE, .25-20 |

PT CRUISER (PT)

SERIES LINE

H = HIGHLINE Z = CHRYSLER (RHD)
C = CHRYSLER, LHD

BODY

44 = Four Door

ENGINE

ECC = ENGINE - 2.0L 4 CYL DOHC 16V SMPI
EDZ = ENGINE - 2.4L 4 CYL DOHC 16V SMPI

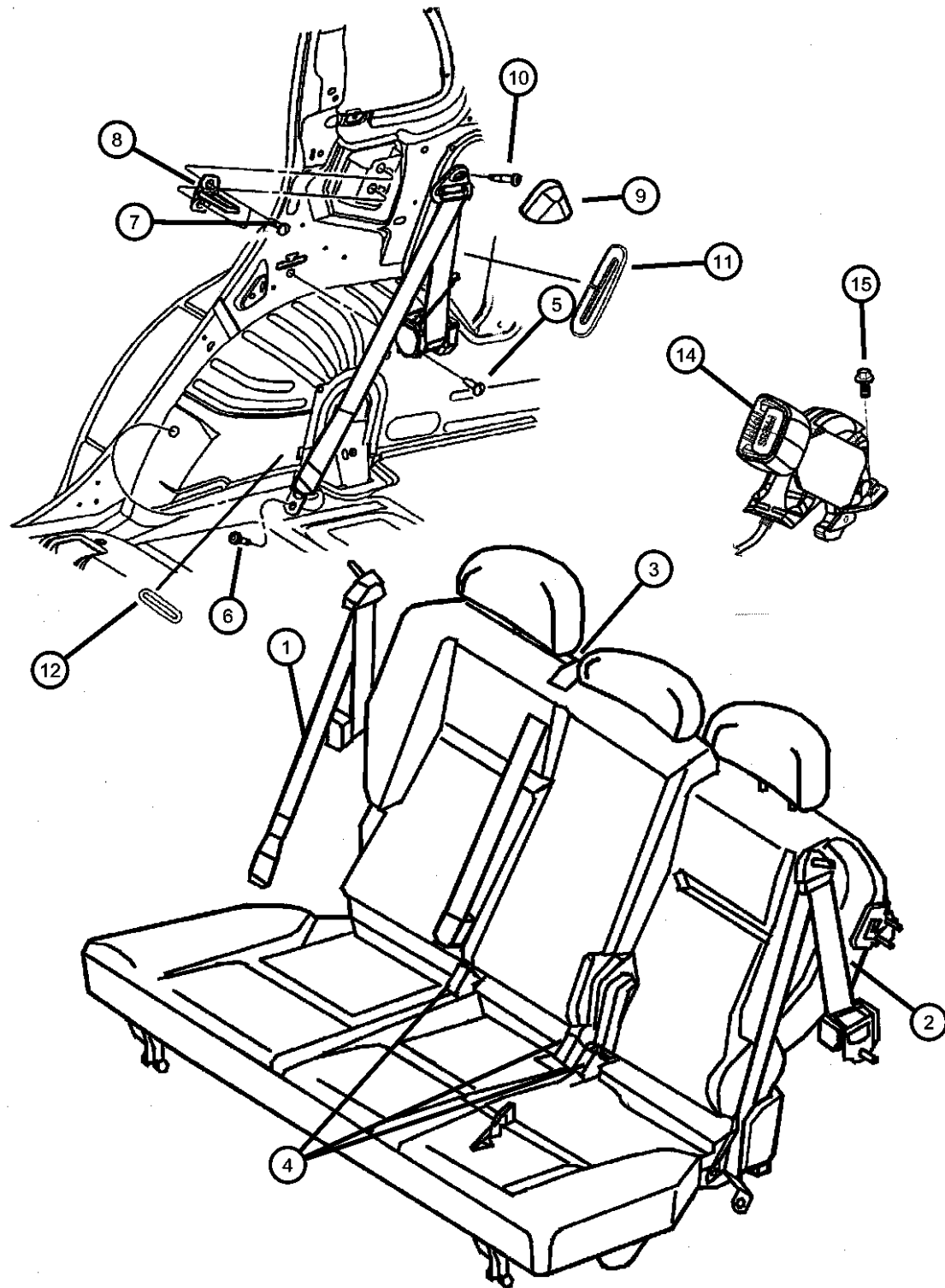
TRANSMISSION

DGL = TRANSMISSION - 4-SPD. AUTOMATIC, 41TE
DD5 = TRANSMISSION - 5-SPEED MANUAL
DDO = All Manual Transmissions
DGO = All Automatics

AR = use ase required - = Non illustrated part

2001 PT

Seat Belt - Rear
Figure IPT-720



| ITEM | PART NUMBER | QTY | LINE | SERIES | BODY | ENGINE | TRANS | TRIM | DESCRIPTION |
|---|-------------|-----|------|--------|------|--------|-------|------|---|
| Sales Code [ABB] [=] European Equipment Group | | | | | | | | | |
| 1 | | | | | | | | | SEAT BELT, Rear |
| | 0RL34WL8AB | 1 | C | | | | | *O0 | [FL] Without Sales Code [ABB] (Use Up To 6-2-00), Right |
| | 0RL341L8AD | 1 | C | | | | | *O0 | [FL] Without Sales Code [ABB] (Use After 6-2-00), Right |
| | 0RL35WL8AB | 1 | C | | | | | *O0 | [FL] Without Sales Code [ABB] (Use Up To 6-2-00), Left |
| | 0RL351L8AD | 1 | C | | | | | *O0 | [FL] Without Sales Code [ABB] (Use After 6-2-00), Left |
| 2 | | | | | | | | | SEAT BELT, Rear Outer |
| | 0RL36WL8AB | 1 | C | | | | | *O0 | [FL] With Sales Code [ABB], Right |
| | | 1 | Z | | | | | *O0 | [FL], Right |
| | 0RL37WL8AB | 1 | C | | | | | *O0 | [FL] With Sales Code [ABB], Left |
| | | 1 | Z | | | | | *O0 | [FL], Left |
| 3 | | | | | | | | | SEAT BELT, Rear |
| | 0TR581L8AC | 1 | C | | | | | *R7 | Center Shoulder, (Use Up To 6-2-00), Rear |
| | | 1 | C | | | | | *GL | Center Shoulder, (Use Up To 6-2-00), Rear |
| | 0TR581L8AD | 2 | C | | | | | *R7 | Center Shoulder, (Use After 6-2-00), Rear |
| | 0TR601L8AA | 1 | Z | | | | | *GL | |
| | | 2 | C | | | | | *GL | Center Shoulder, (Use After 6-2-00), Rear |
| | 0TR601L8AB | 1 | Z | | | | | *R7 | |
| 4 | | | | | | | | | SEAT BELT, Rear Lap Buckle |
| | 0UC791L8AA | 3 | C | | | | | *R7 | [FL] |
| | | 3 | C | | | | | *GL | [FL] |
| | 0UC801X9AA | 3 | Z | | | | | *R7 | Black, [FL] |
| | | 3 | Z | | | | | *GL | Black, [FL] |
| 5 | 06036187AA | 2 | | | | | | | SCREW, Pan Head, Seat Belt Retractor Attaching, Outboard |
| 6 | 06036173AA | 2 | | | | | | | SCREW, Pan Head, Anchor Attaching, Rear, Outboard |
| 7 | 06503120 | 8 | | | | | | | SCREW AND WASHER, Button Head Torx, Door Striker to Body Side Aperature |
| 8 | 04645956AB | 2 | | | | | | | STRIKER, Seat Latch |
| 9 | 0SE69MF1AA | 2 | | | | | | *O0 | COVER, Seat Belt Turning Loop |

PT CRUISER (PT)

SERIES LINE

H = HIGHLINE Z = CHRYSLER (RHD)
C = CHRYSLER, LHD

BODY

44 = Four Door

ENGINE

ECC = ENGINE - 2.0L 4 CYL DOHC 16V SMPI
EDZ = ENGINE - 2.4L 4 CYL DOHC 16V SMPI

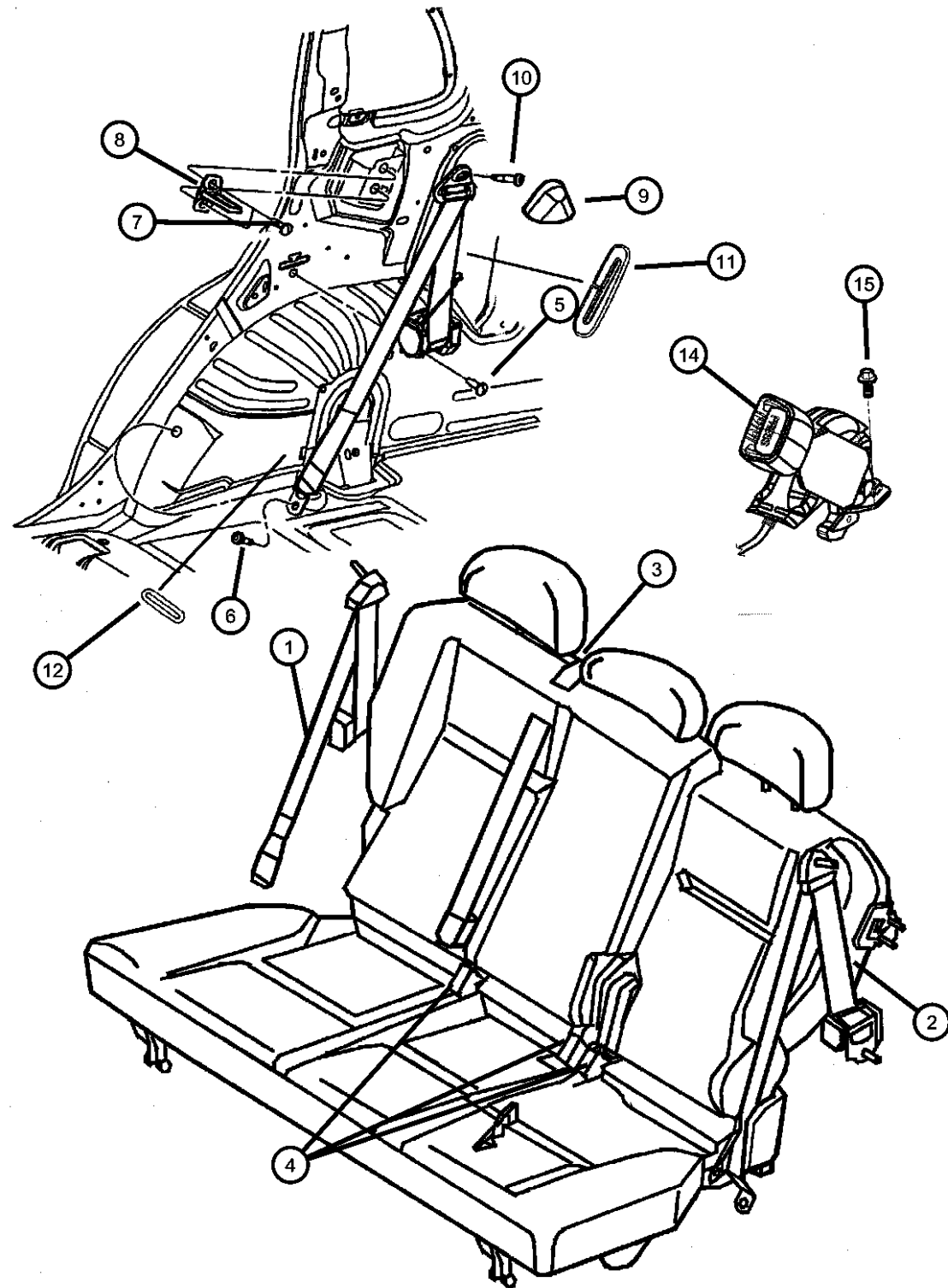
TRANSMISSION

DGL = TRANSMISSION - 4-SPD. AUTOMATIC, 41TE
DD5 = TRANSMISSION - 5-SPEED MANUAL
DDO = All Manual Transmissions
DGO = All Automatics

AR = use ase required - = Non illustrated part

2001 PT

Seat Belt - Rear
Figure IPT-720



| ITEM | PART NUMBER | QTY | LINE | SERIES | BODY | ENGINE | TRANS | TRIM | DESCRIPTION |
|------|-------------|-----|------|--------|------|--------|-------|------|---|
| 10 | 06036180AA | 2 | | | | | | | SCREW, Pan Head, Turn Loop Attaching, Rear, Seat Belt |
| 11 | 0TY58WL8AA | 1 | | | | | | *O0 | BEZEL, Seat Belt Quarter Trim |
| | 0TY59WL8AA | 1 | | | | | | *O0 | Upper Quarter, Right |
| | 0TY60WL8AA | 1 | | | | | | *O0 | Upper Quarter, Left |
| 12 | 0TY61WL8AA | 1 | | | | | | | BEZEL, Seat Belt Quarter Trim |
| | 04645957AA | 1 | Z | | | | | *R7 | Lower Quarter, Right |
| | | 1 | C | | | | | *R7 | Lower Quarter, Left |
| | | 1 | C | | | | | *GL | SEAT BELT, Rear |
| | | 1 | Z | | | | | *GL | Quick Connect |
| 14 | 05016788AA | 1 | C | | | | | | SEAT BELT, Buckle Half w/Latch |
| | 05016789AA | 1 | C | | | | | *R7 | 60% Side, Inboard |
| | 05016790AA | 1 | C | | | | | *GL | 40% Side, |
| | | 1 | C | | | | | *R7 | 60% Side, Outboard |
| | | 1 | C | | | | | *GL | 60% Side, Inboard |
| | | 1 | C | | | | | *R7 | 40% Side |
| | | 1 | C | | | | | *GL | 60% Side, Outboard |
| | 05073277AA | 1 | Z | | | | | *R7 | 60% Side, Outboard |
| | | 1 | C | | | | | *R7 | 60% Side, Export, Outboard |
| | | 1 | C | | | | | *GL | 60% Side, Export, Outboard |
| | | 1 | Z | | | | | *GL | 60% Side, Outboard |
| | 05073278AA | 1 | C | | | | | *R7 | 60% Side, Export, Inboard |
| | | 1 | Z | | | | | *R7 | 60% Side, Inboard |
| | | 1 | C | | | | | *GL | 60% Side, Export, Inboard |
| | | 1 | Z | | | | | *GL | 60% Side, Inboard |
| | 05073279AA | 1 | Z | | | | | *R7 | 40% Side |
| | | 1 | C | | | | | *R7 | 40% Side, Export |
| | 0ZK391FLAA | 1 | C | | | | | *R7 | |
| | | 1 | C | | | | | *GL | 40% Side, Export |
| | | 1 | Z | | | | | *GL | 40% Side |
| 15 | | 1 | | | | | | | BOLT, (NOT SERVICED), |

PT CRUISER (PT)

SERIES LINE
H = HIGHLINE Z = CHRYSLER (RHD)
C = CHRYSLER, LHD

BODY
44 = Four Door

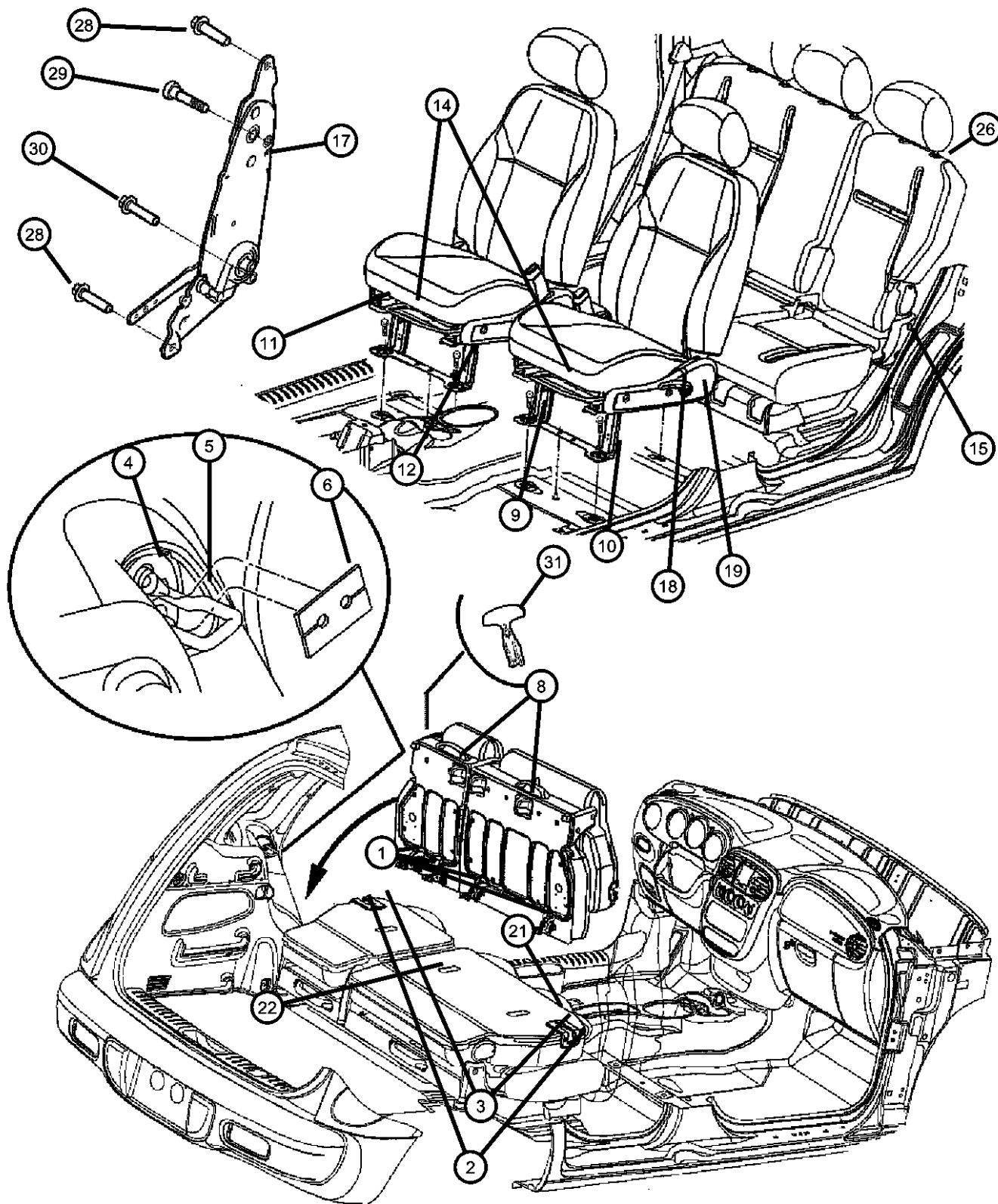
ENGINE
ECC = ENGINE - 2.0L 4 CYL
DOHC 16V SMPI
EDZ = ENGINE - 2.4L 4 CYL
DOHC 16V SMPI

TRANSMISSION
DGL = TRANSMISSION - 4-SPD.
AUTOMATIC, 41TE
DD5 = TRANSMISSION - 5-SPEED
MANUAL
DDO = All Manual Transmissions
DGO = All Automatics

AR = use ase required - = Non illustrated part

2001 PT

Recliners and Adjusters
Figure IPT-810



| ITEM | PART NUMBER | QTY | LINE | SERIES | BODY | ENGINE | TRANS | TRIM | DESCRIPTION |
|------|-------------|-----|------|--------|------|--------|-------|------|--|
| 1 | | | | | | | | | PIVOT, Rear Seat |
| | 05016782AA | 2 | C | | | | | *R7 | 60% Side |
| | 05073248AA | 2 | C | | | | | *R7 | 40% Side |
| 2 | | | | | | | | | LATCH, Seat |
| | 0ZL621FLAA | 1 | C | | | | | *R7 | [FL] With Cable, Right, Rear |
| | | 1 | Z | | | | | *R7 | [FL] With Cable, Right, Rear |
| | | 1 | C | | | | | *GL | [FL] With Cable, Right, Rear |
| | | 1 | Z | | | | | *GL | [FL] With Cable, Right, Rear |
| | 0ZL631FLAA | 1 | C | | | | | *R7 | [FL], Left, Rear |
| | | 1 | Z | | | | | *R7 | [FL], Left, Rear |
| | | 1 | C | | | | | *GL | [FL], Left, Rear |
| | | 1 | Z | | | | | *GL | [FL], Left, Rear |
| 3 | 06506642AA | 4 | | | | | | | SCREW, 6 Lobed, Seat Upper Latch Striker |
| 4 | 06501714 | 1 | | | | | | | SCREW AND WASHER, Hex Head, M6x1x18 |
| 5 | 04645956AB | 2 | | | | | | | STRIKER, Seat Latch |
| 6 | 04645955AA | 2 | | | | | | | COVER, Rear Seat Striker Opening |
| -7 | | | | | | | | | TETHER, Child Seat, Stowage Strap |
| | 05016783AA | 1 | Z | | | | | *R7 | |
| | | 1 | C | | | | | *R7 | |
| | | 2 | Z | | | | | *GL | |
| | | 2 | C | | | | | *GL | |
| 8 | | | | | | | | | HANDLE, SEAT CARRY, Seat Release |
| | 0UC331FLAA | 2 | C | | | | | *R7 | [FL], Right & Left, Rear |
| | | 2 | C | | | | | *GL | [FL], Right & Left, Rear |
| | | 2 | Z | | | | | *GL | [FL], Right & Left, Rear |
| | | 2 | Z | | | | | *R7 | [FL], Right & Left, Rear |
| 9 | | | | | | | | | ADJUSTER, Manual Seat |
| | 05016688AA | 1 | Z | | | | | *R7 | Inboard, Driver |
| | | 1 | C | | | | | *R7 | Inboard, Driver |
| | | 1 | Z | | | | | *GL | Inboard, Driver |
| 10 | | | | | | | | | ADJUSTER, Manual Seat |
| | 05016689AA | 1 | Z | | | | | *R7 | Driver, Outboard |

PT CRUISER (PT)

SERIES LINE
 H = HIGHLINE Z = CHRYSLER (RHD)
 C = CHRYSLER, LHD

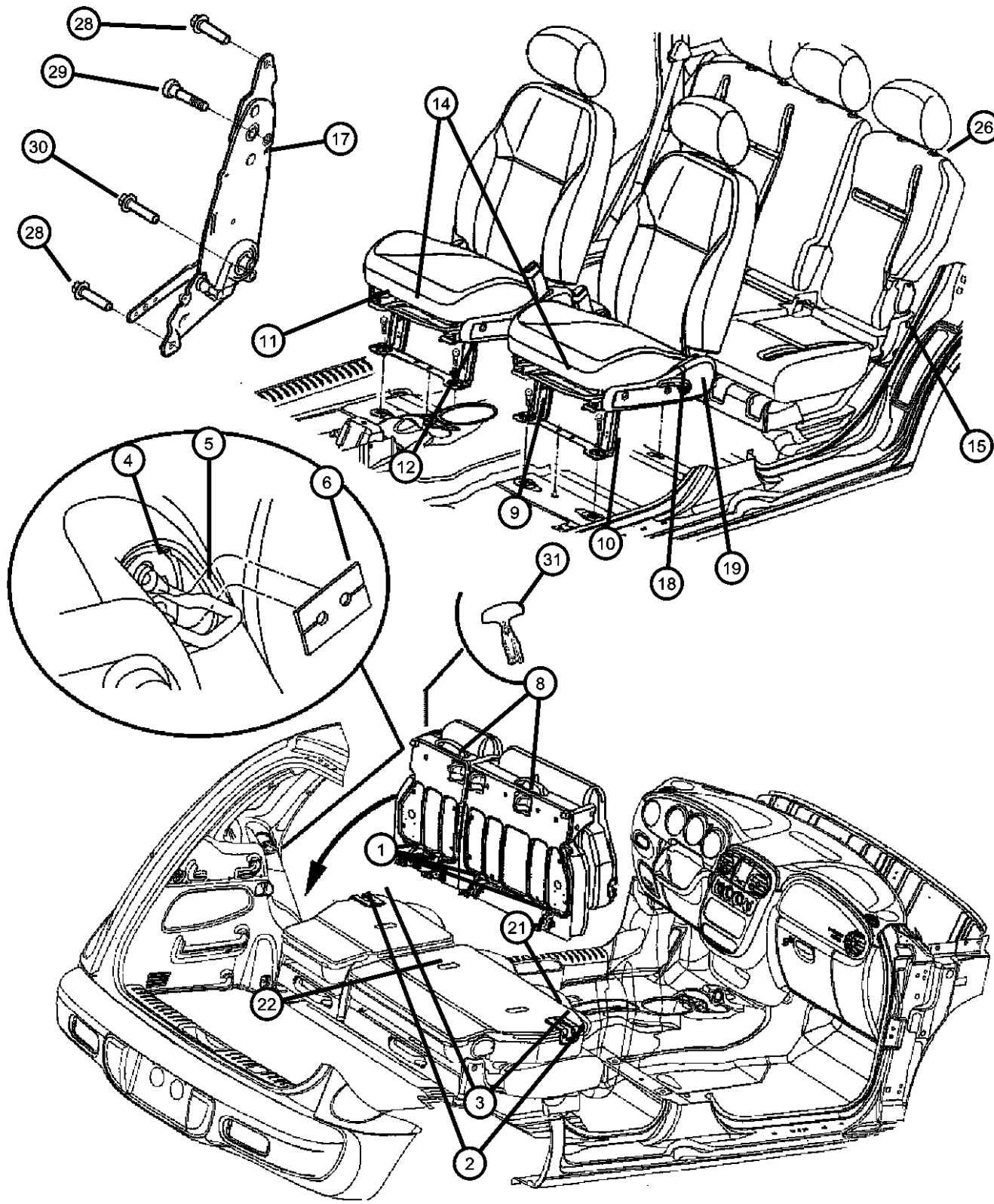
BODY
 44 = Four Door

ENGINE
 ECC = ENGINE - 2.0L 4 CYL
 DOHC 16V SMPI
 EDZ = ENGINE - 2.4L 4 CYL
 DOHC 16V SMPI

TRANSMISSION
 DGL = TRANSMISSION - 4-SPD.
 AUTOMATIC, 41TE
 DD5 = TRANSMISSION - 5-SPEED
 MANUAL
 DDO = All Manual Transmissions
 DGO = All Automatics

AR = use ase required - = Non illustrated part

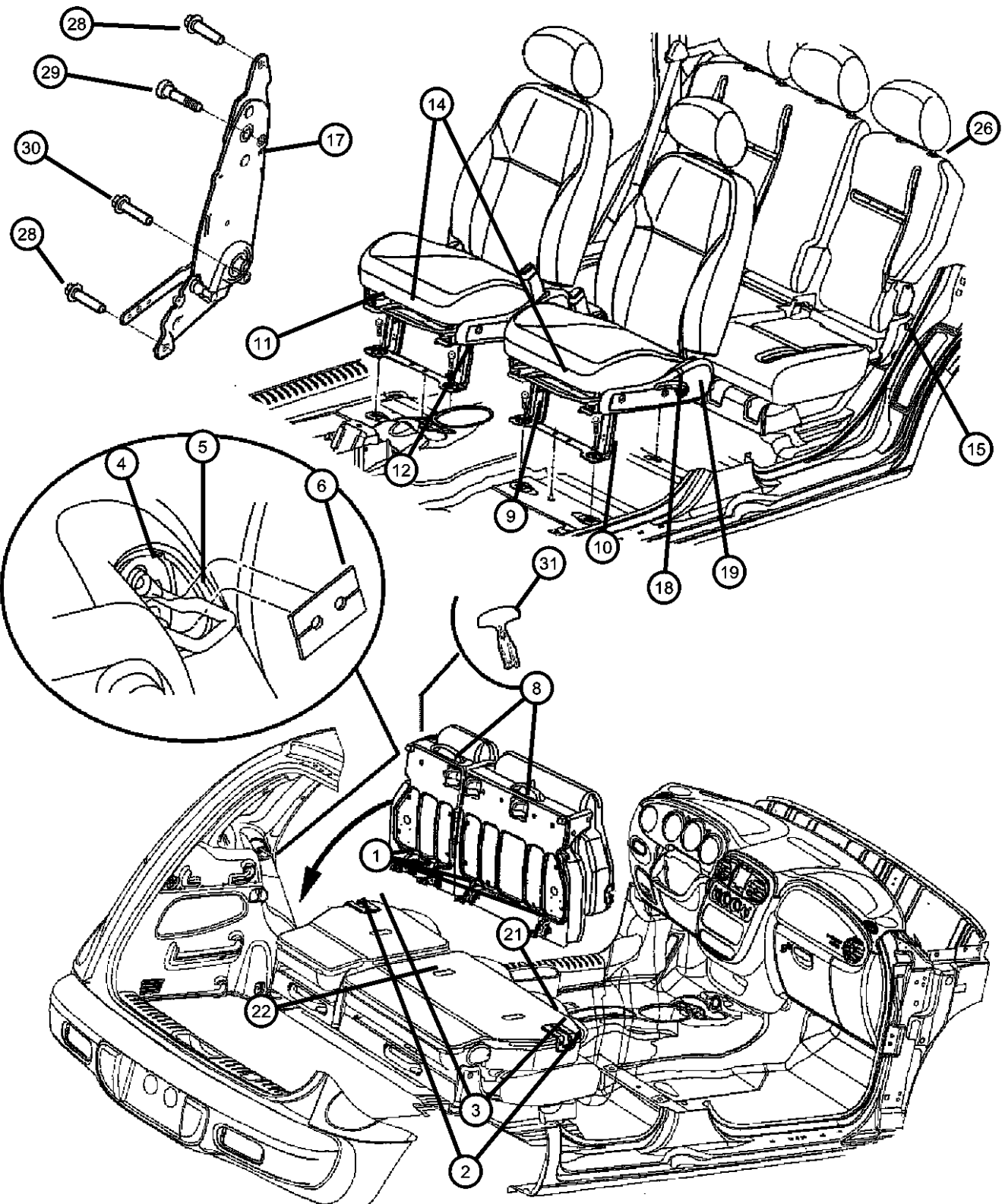
Recliners and Adjusters
Figure IPT-810



| ITEM | PART NUMBER | QTY | LINE | SERIES | BODY | ENGINE | TRANS | TRIM | DESCRIPTION |
|------|-------------|-----|------|--------|------|--------|-------|------|-------------------------------------|
| 11 | | 1 | C | | | | | *R7 | Driver, Outboard |
| | | 1 | Z | | | | | *GL | Driver, Outboard |
| | | | | | | | | | ADJUSTER, Manual Seat |
| | 05016700AA | 1 | C | | | | | *R7 | Outboard, Passenger |
| | | 1 | C | | | | | *GL | Outboard, Passenger |
| 12 | | | | | | | | | ADJUSTER, Manual Seat |
| | 05016701AA | 1 | C | | | | | *R7 | Inboard, Passenger |
| | | 1 | C | | | | | *GL | Inboard, Passenger |
| -13 | | | | | | | | | ADJUSTER, Power Seat |
| | 05016690AA | 1 | Z | | | | | *R7 | Right |
| | | 1 | Z | | | | | *GL | Right |
| | 05016691AA | 1 | C | | | | | *R7 | Left |
| | | 1 | C | | | | | *GL | Left |
| 14 | | | | | | | | | HANDLE, Towel Bar |
| | 05016703AA | 2 | Z | | | | | *R7 | |
| | | 2 | C | | | | | *R7 | |
| | | 2 | Z | | | | | *GL | |
| | | 2 | C | | | | | *GL | |
| 15 | | | | | | | | | RECLINER, Seat Back, Rear |
| | 05073249AA | 1 | C | | | | | *R7 | 40% Side, Rear |
| | 05073250AA | 1 | C | | | | | *R7 | 60% Side, Rear |
| -16 | | | | | | | | | CABLE, Recliner |
| | 05066457AA | 1 | C | | | | | *GL | Fold Flat Seat |
| | | 1 | Z | | | | | *GL | Fold Flat Seat |
| | | 1 | C | | | | | *R7 | Fold Flat Seat |
| | | 1 | Z | | | | | *R7 | Fold Flat Seat |
| | 05072454AA | 1 | C | | | | | *R7 | Standard Seat |
| | | 1 | Z | | | | | *R7 | Standard Seat |
| | | 1 | C | | | | | *GL | Standard Seat |
| | | 1 | Z | | | | | *GL | Standard Seat |
| 17 | | | | | | | | | RECLINER, Seat Back, Front |
| | 05016704AA | 1 | Z | | | | | *GL | Fold Flat Seat, Passenger, Outboard |

| | | | | | |
|------------------------|---|----------------|--|--|--|
| PT CRUISER (PT) | | | | | |
| SERIES | LINE | BODY | ENGINE | TRANSMISSION | |
| H = HIGHLINE | Z = CHRYSLER (RHD) C = CHRYSLER, LHD | 44 = Four Door | ECC = ENGINE - 2.0L 4 CYL DOHC 16V SMPI EDZ = ENGINE - 2.4L 4 CYL DOHC 16V SMPI | DGL = TRANSMISSION - 4-SPD. AUTOMATIC, 41TE DD5 = TRANSMISSION - 5-SPEED MANUAL DDO = All Manual Transmissions DGO = All Automatics | |

**Recliners and Adjusters
Figure IPT-810**

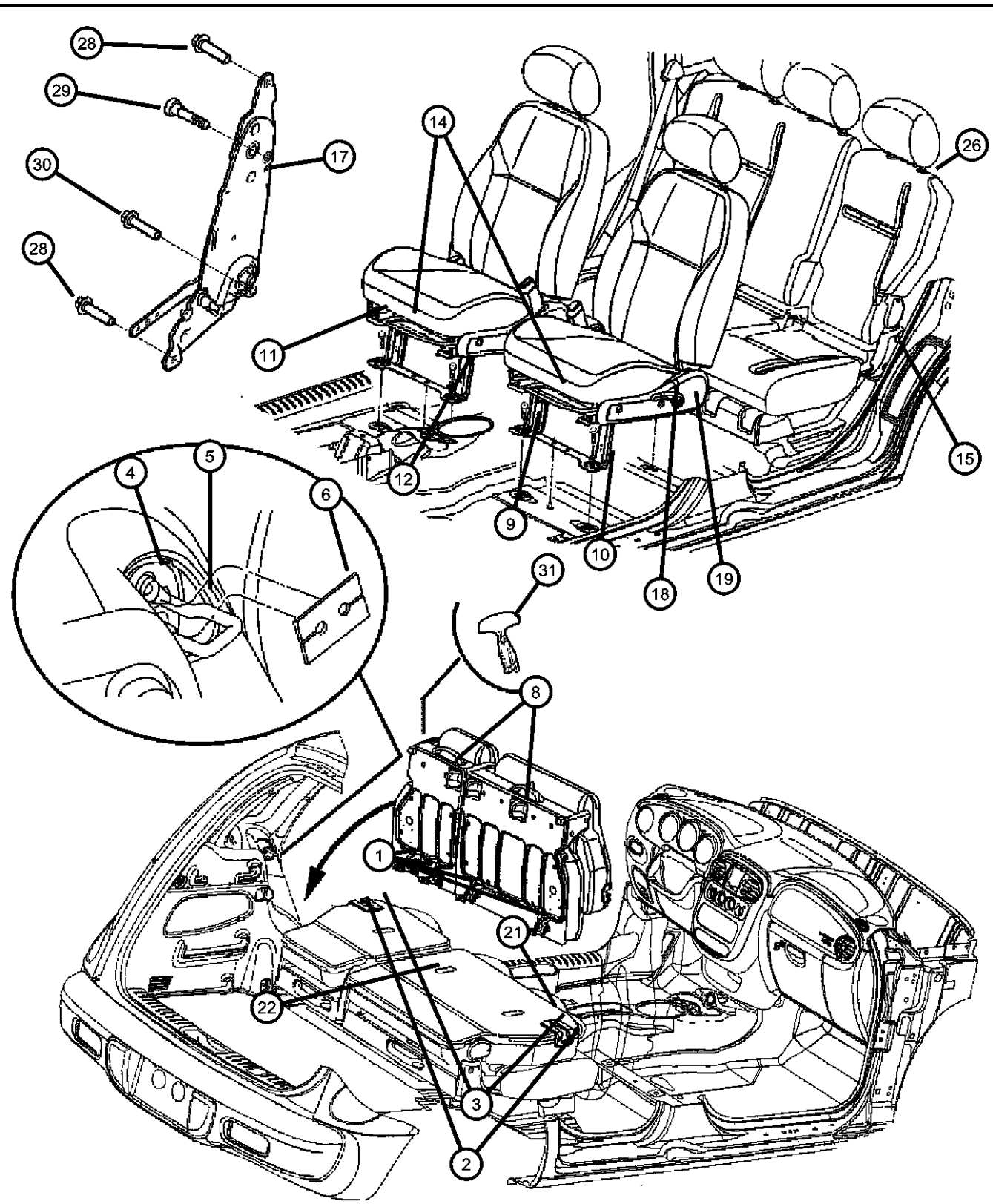


| ITEM | PART NUMBER | QTY | LINE | SERIES | BODY | ENGINE | TRANS | TRIM | DESCRIPTION |
|------|-------------|-----|------|--------|------|--------|-------|------|---------------------------------------|
| | | 1 | C | | | | | *GL | Fold Flat Seat, Passenger, Outboard |
| | | 1 | C | | | | | *R7 | Fold Flat Seat, Passenger, Outboard |
| | | 1 | Z | | | | | *R7 | Fold Flat Seat, Passenger, Outboard |
| | 05016705AA | 1 | C | | | | | *GL | Fold Flat Seat, Passenger, Inboard |
| | | 1 | Z | | | | | *GL | Fold Flat Seat, Passenger, Inboard |
| | | 1 | C | | | | | *R7 | Fold Flat Seat, Passenger, Inboard |
| | | 1 | Z | | | | | *R7 | Fold Flat Seat, Passenger, Inboard |
| | 05016706AA | 1 | C | | | | | *R7 | Standard, Passenger, Outboard |
| | | 1 | Z | | | | | *R7 | Standard, Passenger, Outboard |
| | | 1 | Z | | | | | *GL | Standard, Passenger, Outboard |
| | 05016707AA | 1 | C | | | | | *R7 | Standard, Passenger, Inboard |
| | | 1 | Z | | | | | *GL | Standard, Passenger, Inboard |
| | | 1 | C | | | | | *GL | Standard, Passenger, Inboard |
| | 05072208AA | 1 | Z | | | | | *GL | Fold Flat, [RHD], Inboard, Left Seat |
| | | 1 | Z | | | | | *R7 | Fold Flat, [RHD], Inboard, Left Seat |
| | 05072209AA | 1 | Z | | | | | *GL | Fold Flat, [RHD], Outboard, Left Seat |
| | | 1 | Z | | | | | *R7 | Fold Flat, [RHD], Outboard, Left Seat |
| | 05072210AA | 1 | C | | | | | *R7 | Standard, Driver, Inboard |
| | | 1 | Z | | | | | *GL | Standard, Driver, Inboard |
| | | 1 | C | | | | | *GL | Standard, Driver, Inboard |
| | 05072211AA | 1 | C | | | | | *R7 | Standard, Driver, Outboard |
| | | 1 | C | | | | | *GL | Standard, Driver, Outboard |
| | | 1 | Z | | | | | *GL | Standard, Driver, Outboard |
| 18 | | | | | | | | | HANDLE, Recliner |
| | 05018529AA | 1 | Z | | | | | *R7 | Driver Side |
| | | 1 | C | | | | | *R7 | Driver Side |
| | | 1 | Z | | | | | *GL | Driver Side |
| | | 1 | C | | | | | *GL | Driver Side |
| 19 | | | | | | | | | HANDLE, FOLD FLAT |

| | | | | |
|------------------------|---|----------------|--|--|
| PT CRUISER (PT) | | | | |
| SERIES | LINE | BODY | ENGINE | TRANSMISSION |
| H = HIGHLINE | Z = CHRYSLER (RHD) C = CHRYSLER, LHD | 44 = Four Door | ECC = ENGINE - 2.0L 4 CYL DOHC 16V SMPI EDZ = ENGINE - 2.4L 4 CYL DOHC 16V SMPI | DGL = TRANSMISSION - 4-SPD. AUTOMATIC, 41TE DD5 = TRANSMISSION - 5-SPEED MANUAL DDO = All Manual Transmissions DGO = All Automatics |

AR = use ase required - = Non illustrated part

Recliners and Adjusters
Figure IPT-810

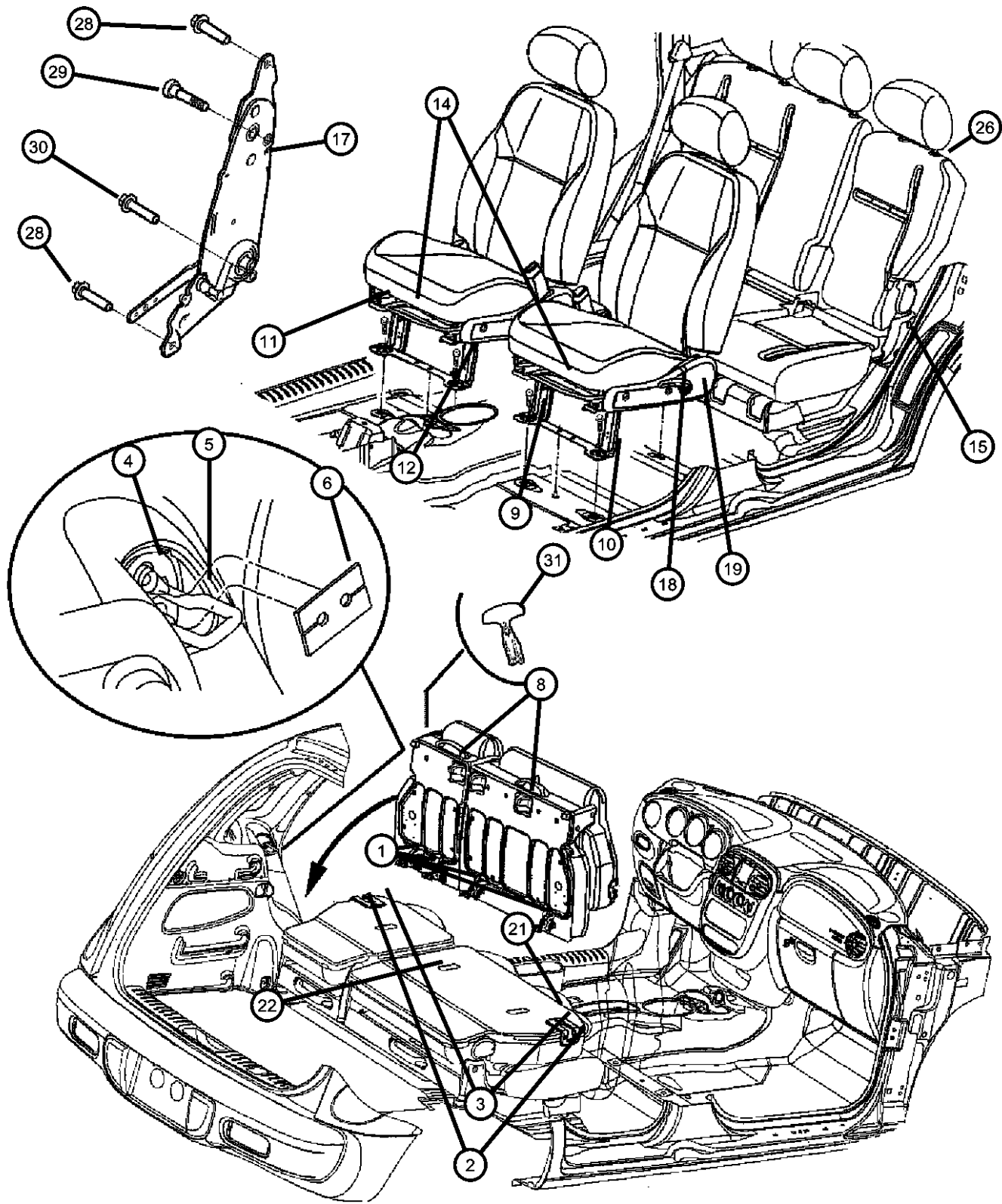


| ITEM | PART NUMBER | QTY | LINE | SERIES | BODY | ENGINE | TRANS | TRIM | DESCRIPTION |
|------|-------------|-----|------|--------|------|--------|-------|------|---|
| | 05018530AA | 1 | Z | | | | | *GL | Fold Flat (Velocity), Passenger Side |
| | | 1 | C | | | | | *R7 | Fold Flat (Velocity), Passenger Side |
| | 05018532AA | 1 | Z | | | | | *R7 | Fold Flat (Premium), Passenger Side |
| | | 1 | C | | | | | *R7 | Fold Flat (Premium), Passenger Side |
| | | 1 | Z | | | | | *GL | Fold Flat (Premium), Passenger Side |
| | | 1 | C | | | | | *GL | Fold Flat (Premium), Passenger Side |
| | 05066216AA | 1 | Z | | | | | *R7 | Driver |
| | | 1 | Z | | | | | *GL | Driver |
| -20 | | | | | | | | | AIR BAG, Seat |
| | 04645946AA | 2 | Z | | | | | *R7 | Green Connector, Passenger |
| | | 2 | C | | | | | *R7 | Green Connector, Passenger |
| | | 2 | C | | | | | *GL | Green Connector, Passenger |
| | | 2 | Z | | | | | *GL | Green Connector, Passenger |
| | 04664289AA | 1 | C | | | | | *R7 | Purple Connector, Driver |
| | | 1 | Z | | | | | *R7 | Purple Connector, Driver |
| | | 1 | C | | | | | *GL | Purple Connector, Driver |
| | | 1 | Z | | | | | *GL | Purple Connector, Driver |
| 21 | | | | | | | | | BEZEL, Seat Latch |
| | OWA921FLAA | 3 | C | | | | | *GL | [FL] |
| | | 3 | Z | | | | | *GL | [FL] |
| | | 3 | C | | | | | *R7 | [FL] |
| | | 3 | Z | | | | | *R7 | [FL] |
| 22 | | | | | | | | | BEZEL, TETHER |
| | 05066080AA | 1 | C | | | | | *R7 | |
| | | 1 | C | | | | | *GL | |
| -23 | | | | | | | | | CABLE, REAR SEAT RELEASE |
| | 05066244AA | 2 | Z | | | | | *GL | Right and Left Seat (Short Cable), Outboard |
| | | 2 | C | | | | | *GL | Right and Left Seat (Short Cable), Outboard |
| | | 2 | C | | | | | *R7 | Right and Left Seat (Short Cable), Outboard |

PT CRUISER (PT)
 SERIES LINE BODY ENGINE TRANSMISSION
 H = HIGHLINE Z = CHRYSLER (RHD) 44 = Four Door ECC = ENGINE - 2.0L 4 CYL DOHC 16V SMPI DGL = TRANSMISSION - 4-SPD. AUTOMATIC, 41TE
 C = CHRYSLER, LHD EDZ = ENGINE - 2.4L 4 CYL DOHC 16V SMPI DD5 = TRANSMISSION - 5-SPEED MANUAL
 DDO = All Manual Transmissions
 DGO = All Automatics

AR = use ase required - = Non illustrated part

**Recliners and Adjusters
Figure IPT-810**



| ITEM | PART NUMBER | QTY | LINE | SERIES | BODY | ENGINE | TRANS | TRIM | DESCRIPTION |
|------|-------------|-----|------|--------|------|--------|-------|------|--|
| | | 2 | Z | | | | | *R7 | Right and Left Seat (Short Cable), Outboard |
| | 05066703AA | 1 | C | | | | | *GL | Right (65% Side) (Long Cable), Inboard |
| | | 1 | Z | | | | | *GL | Right (65% Side) (Long Cable), Inboard |
| | | 1 | C | | | | | *R7 | Right (65% Side) (Long Cable), Inboard |
| | | 1 | Z | | | | | *R7 | Right (65% Side) (Long Cable), Inboard |
| -24 | | | | | | | | | BOLT, Pivot |
| | 05072204AA | 1 | C | | | | | *GL | Used For Fold Flat Pivot (Back to Cushion), Passenger Side |
| | | 1 | Z | | | | | *GL | Used For Fold Flat Pivot (Back to Cushion), Passenger Side |
| | | 1 | Z | | | | | *R7 | Used For Fold Flat Pivot (Back to Cushion), Passenger Side |
| | | 1 | C | | | | | *R7 | Used For Fold Flat Pivot (Back to Cushion), Passenger Side |
| -25 | | | | | | | | | BOLT, Seat |
| | 05072205AA | 1 | C | | | | | *GL | Front Seat Tracks, Right & Left |
| | | 1 | Z | | | | | *GL | Front Seat Tracks, Right & Left |
| | | 1 | C | | | | | *R7 | Front Seat Tracks, Right & Left |
| | | 1 | Z | | | | | *R7 | Front Seat Tracks, Right & Left |
| 26 | | | | | | | | | BEZEL, Seat Release |
| | 05019978AA | 1 | C | | | | | *R7 | |
| | | 1 | C | | | | | *GL | |
| | | 1 | Z | | | | | *GL | |
| | | 1 | Z | | | | | *R7 | |
| -27 | | | | | | | | | HANDLE, Lumbar |
| | 05019793AA | 1 | C | | | | | *GL | |
| | | 1 | Z | | | | | *GL | |
| 28 | | | | | | | | | BOLT, Recliner |
| | 05072128AA | 1 | C | | | | | *GL | |
| | | 1 | C | | | | | *R7 | |
| 29 | | | | | | | | | BOLT, Pivot |
| | 05072204AA | 1 | C | | | | | *GL | |
| | | 1 | Z | | | | | *GL | |

PT CRUISER (PT)

SERIES LINE
 H = HIGHLINE Z = CHRYSLER (RHD)
 C = CHRYSLER, LHD

BODY
 44 = Four Door

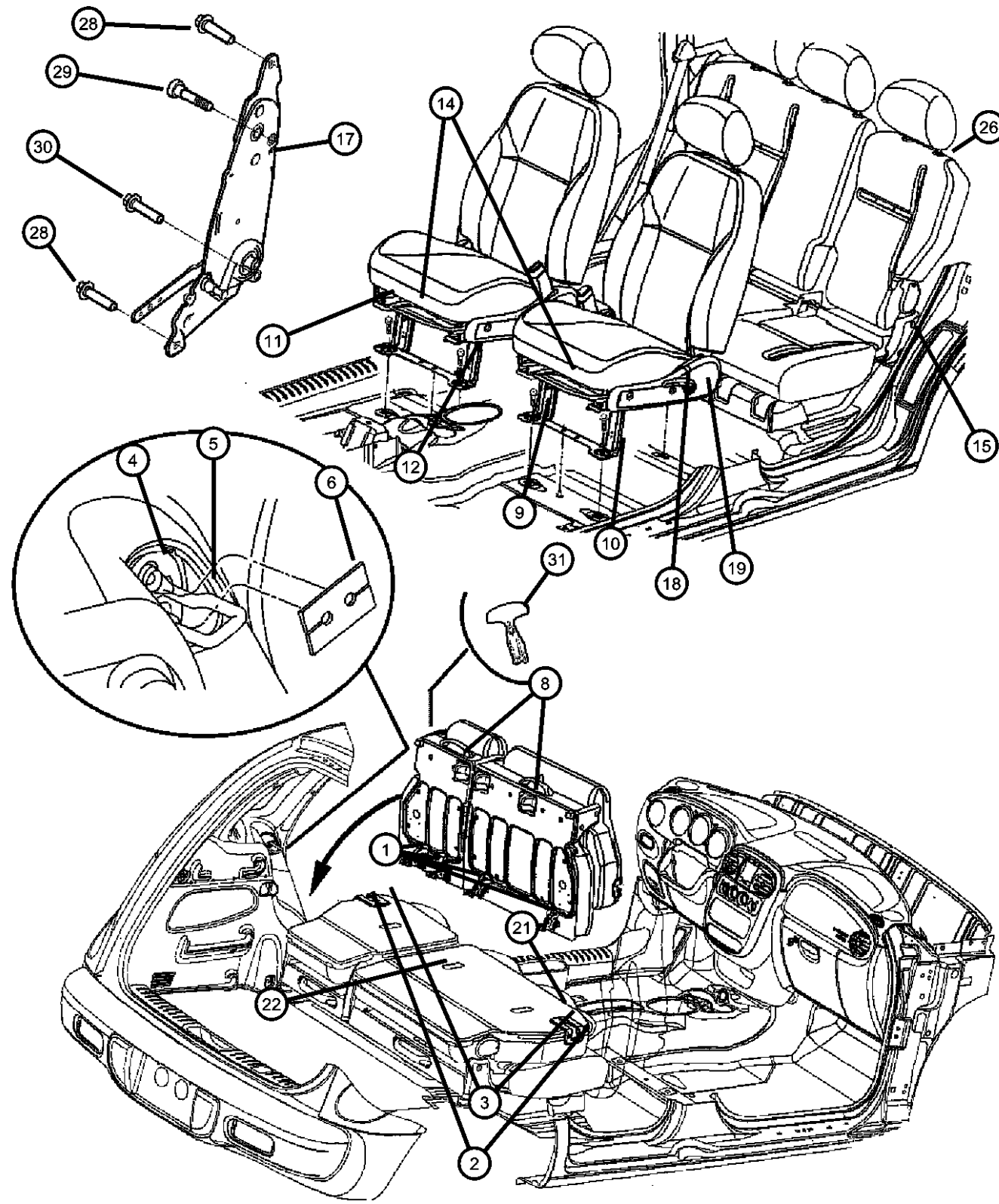
ENGINE
 ECC = ENGINE - 2.0L 4 CYL DOHC 16V SMPI
 EDZ = ENGINE - 2.4L 4 CYL DOHC 16V SMPI

TRANSMISSION
 DGL = TRANSMISSION - 4-SPD. AUTOMATIC, 41TE
 DD5 = TRANSMISSION - 5-SPEED MANUAL
 DDO = All Manual Transmissions
 DGO = All Automatics

AR = use ase required - = Non illustrated part

2001 PT

Recliners and Adjusters
Figure IPT-810



| ITEM | PART NUMBER | QTY | LINE | SERIES | BODY | ENGINE | TRANS | TRIM | DESCRIPTION |
|------|-------------|-----|------|--------|------|--------|-------|------|---------------|
| | | 1 | Z | | | | | *R7 | |
| | | 1 | C | | | | | *R7 | |
| 30 | 05072205AA | 1 | C | | | | | *GL | BOLT, Seat |
| | | 1 | Z | | | | | *GL | |
| | | 1 | Z | | | | | *R7 | |
| | | 1 | C | | | | | *R7 | |
| 31 | 05175334AA | 1 | Z | | | | | *R7 | HANDLE, Latch |
| | | 1 | C | | | | | *R7 | |
| | | 1 | C | | | | | *GL | |
| | | 1 | Z | | | | | *GL | |

PT CRUISER (PT)

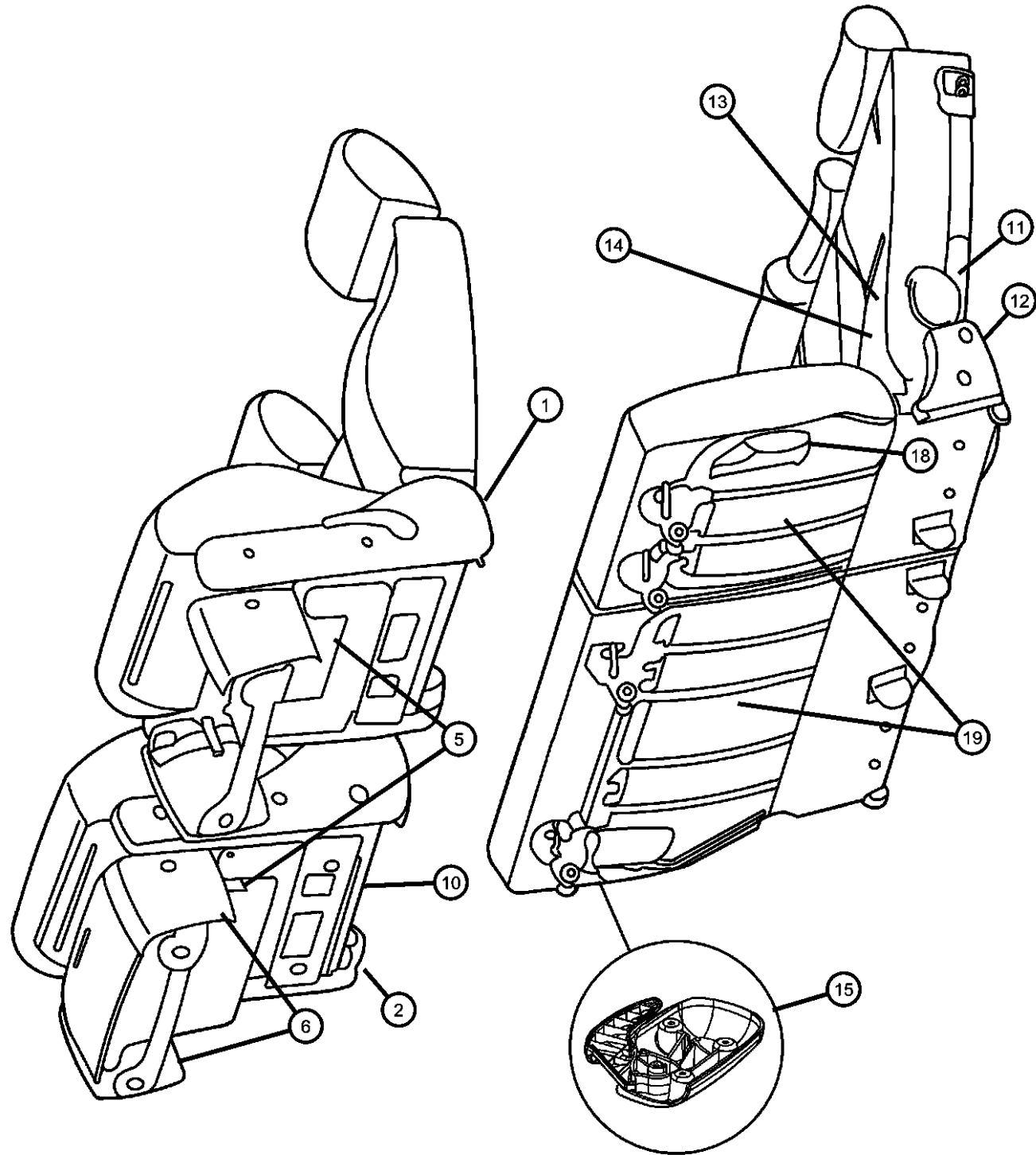
SERIES LINE
H = HIGHLINE Z = CHRYSLER (RHD)
C = CHRYSLER, LHD

BODY
44 = Four Door

ENGINE TRANSMISSION
ECC = ENGINE - 2.0L 4 CYL DOHC 16V SMPI
EDZ = ENGINE - 2.4L 4 CYL DOHC 16V SMPI
DGL = TRANSMISSION - 4-SPD. AUTOMATIC, 41TE
DD5 = TRANSMISSION - 5-SPEED MANUAL
DDO = All Manual Transmissions
DGO = All Automatics

AR = use ase required - = Non illustrated part

Shields and Risers
Figure IPT-820



| ITEM | PART NUMBER | QTY | LINE | SERIES | BODY | ENGINE | TRANS | TRIM | DESCRIPTION |
|------|-------------|-----|------|--------|------|--------|-------|------|---|
| 1 | | | | | | | | | SHIELD, Seat Cushion, Driver Side |
| | 0UC601FLAA | 1 | Z | | | | | *GL | Inboard |
| | | 1 | C | | | | | *R7 | Inboard |
| | | 1 | Z | | | | | *R7 | Inboard |
| | 0UC611FLAA | 1 | Z | | | | | *GL | Outboard |
| | | 1 | C | | | | | *R7 | Outboard |
| | | 1 | Z | | | | | *R7 | Outboard |
| | 0UC681FLAA | 1 | C | | | | | *R7 | [LHD], Power, Inboard |
| | | 1 | C | | | | | *GL | [LHD], Power, Inboard |
| | 0UC691FLAA | 1 | C | | | | | *R7 | [LHD], Power, Outboard |
| | | 1 | C | | | | | *GL | [LHD], Power, Outboard |
| | 0UC701FLAA | 1 | Z | | | | | *R7 | [RHD] Premium, Power, Inboard |
| | | 1 | Z | | | | | *GL | [RHD] Premium, Power, Inboard |
| | 0UC711FLAA | 1 | Z | | | | | *R7 | [RHD] Premium, Power, Outboard |
| | | 1 | Z | | | | | *GL | [RHD] Premium, Power, Outboard |
| 2 | | | | | | | | | SHIELD, Seat Cushion, Passenger Side |
| | 0UC581FLAA | 1 | C | | | | | *R7 | Without Fold Flat, Outboard |
| | 0UC591FLAA | 1 | C | | | | | *R7 | Without Fold Flat, Inboard |
| | 0UC621FLAA | 1 | C | | | | | *R7 | With Fold Flat, Outboard |
| | | 1 | C | | | | | *GL | With Fold Flat, Outboard |
| | 0UC631FLAA | 1 | C | | | | | *R7 | With Fold Flat, Inboard |
| | | 1 | C | | | | | *GL | With Fold Flat, Inboard |
| -3 | | | | | | | | | SHIELD, FOLD FLAT, Passenger Side Only |
| | 0UC641FLAA | 1 | C | | | | | *R7 | Located Under Shield Seat Cushion, Outboard |
| | | 1 | C | | | | | *GL | Located Under Shield Seat Cushion, Outboard |
| | | 1 | Z | | | | | *GL | Located Under Shield Seat Cushion, Outboard |
| | | 1 | Z | | | | | *R7 | Located Under Shield Seat Cushion, Outboard |
| | 0UC651FLAA | 1 | C | | | | | *R7 | Located Under Shield Seat Cushion, Inboard |
| | | 1 | C | | | | | *GL | Located Under Shield Seat Cushion, Inboard |

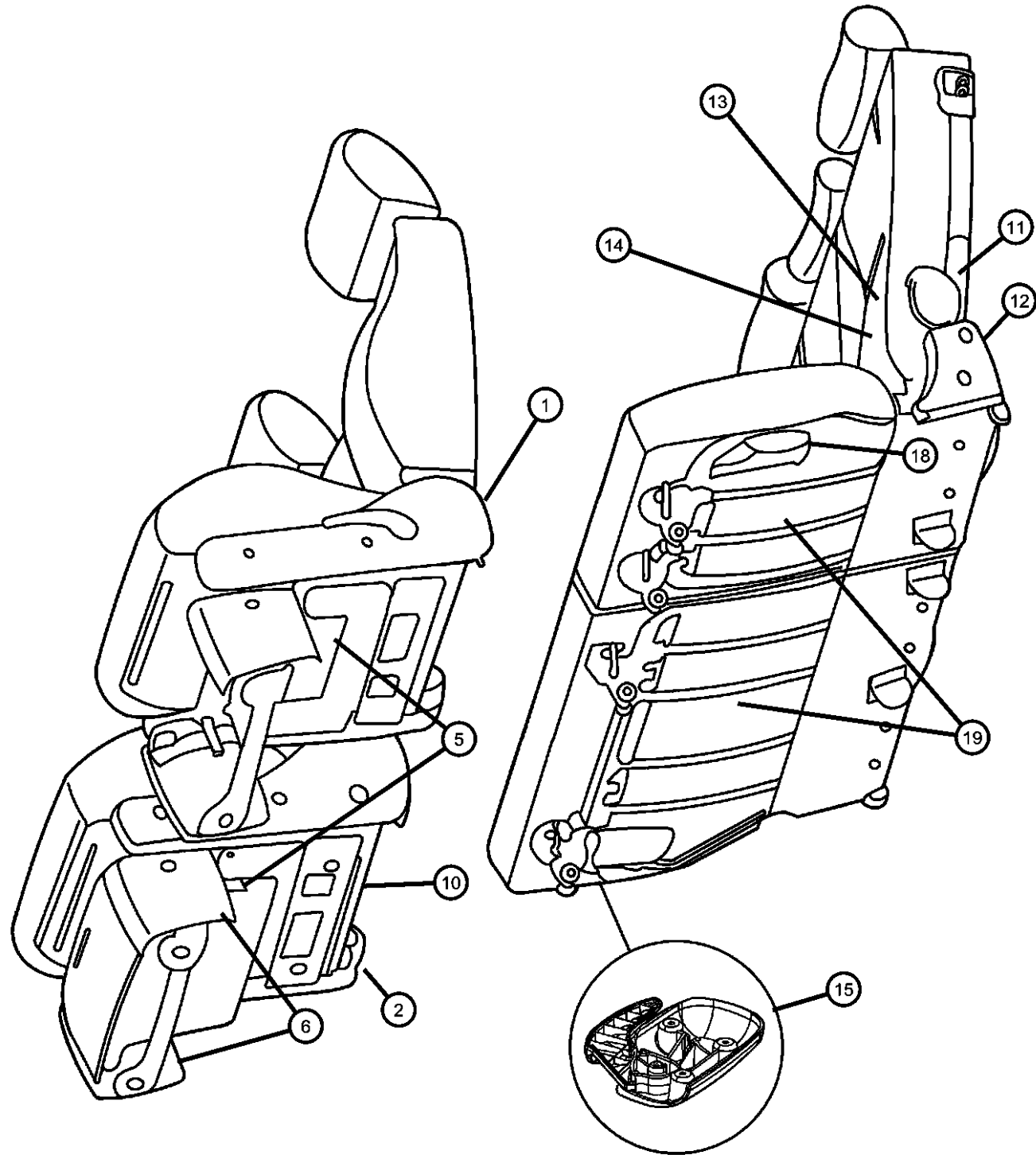
PT CRUISER (PT)

| | | | | |
|--------------|---|----------------|--|--|
| SERIES | LINE | BODY | ENGINE | TRANSMISSION |
| H = HIGHLINE | Z = CHRYSLER (RHD) C = CHRYSLER, LHD | 44 = Four Door | ECC = ENGINE - 2.0L 4 CYL DOHC 16V SMPI EDZ = ENGINE - 2.4L 4 CYL DOHC 16V SMPI | DGL = TRANSMISSION - 4-SPD. AUTOMATIC, 41TE DD5 = TRANSMISSION - 5-SPEED MANUAL DDO = All Manual Transmissions DGO = All Automatics |

AR = use ase required - = Non illustrated part

2001 PT

Shields and Risers
Figure IPT-820



| ITEM | PART NUMBER | QTY | LINE | SERIES | BODY | ENGINE | TRANS | TRIM | DESCRIPTION |
|------|-------------|-----|------|--------|------|--------|-------|------|--|
| | | 1 | Z | | | | | *GL | Located Under Shield Seat Cushion, Inboard |
| | | 1 | Z | | | | | *R7 | Located Under Shield Seat Cushion, Inboard |
| -4 | | | | | | | | | COVER, FOLD FLAT LINKAGE, Passenger Side Only |
| | 0UC661FLAA | 1 | C | | | | | *R7 | [Plastic] Moon Shape, Goes Behind Passenger Seat, Outboard |
| | | 1 | C | | | | | *GL | [Plastic] Moon Shape, Goes Behind Passenger Seat, Outboard |
| | | 1 | Z | | | | | *GL | [Plastic] Moon Shape, Goes Behind Passenger Seat, Outboard |
| | | 1 | Z | | | | | *R7 | [Plastic] Moon Shape, Goes Behind Passenger Seat, Outboard |
| | 0UC671FLAA | 1 | C | | | | | *R7 | [Plastic] Moon Shape, Goes Behind Passenger Seat, Inboard |
| | | 1 | C | | | | | *GL | [Plastic] Moon Shape, Goes Behind Passenger Seat, Inboard |
| | | 1 | Z | | | | | *GL | [Plastic] Moon Shape, Goes Behind Passenger Seat, Inboard |
| | | 1 | Z | | | | | *R7 | [Plastic] Moon Shape, Goes Behind Passenger Seat, Inboard |
| 5 | | | | | | | | | SHIELD, RISER |
| | 0TK56WL8AB | 1 | | | | | | *O0 | Right |
| | 0TK57WL8AB | 1 | | | | | | *O0 | Left |
| 6 | | | | | | | | | RISER, Seat |
| | 05016702AA | 2 | Z | | | | | *R7 | Front |
| | | 2 | C | | | | | *R7 | Front |
| | | 2 | Z | | | | | *GL | Front |
| | | 2 | C | | | | | *GL | Front |
| | 05072206AA | 2 | C | | | | | *R7 | Without Storage Drawer, Front |
| | | 2 | C | | | | | *GL | Without Storage Drawer, Front |
| | | 2 | Z | | | | | *GL | Without Storage Drawer, Front |
| | | 2 | Z | | | | | *R7 | Without Storage Drawer, Front |
| -7 | 06502573 | 7 | | | | | | | RIVET, M4.9x14.5, Riser Shield to Seat Attach |

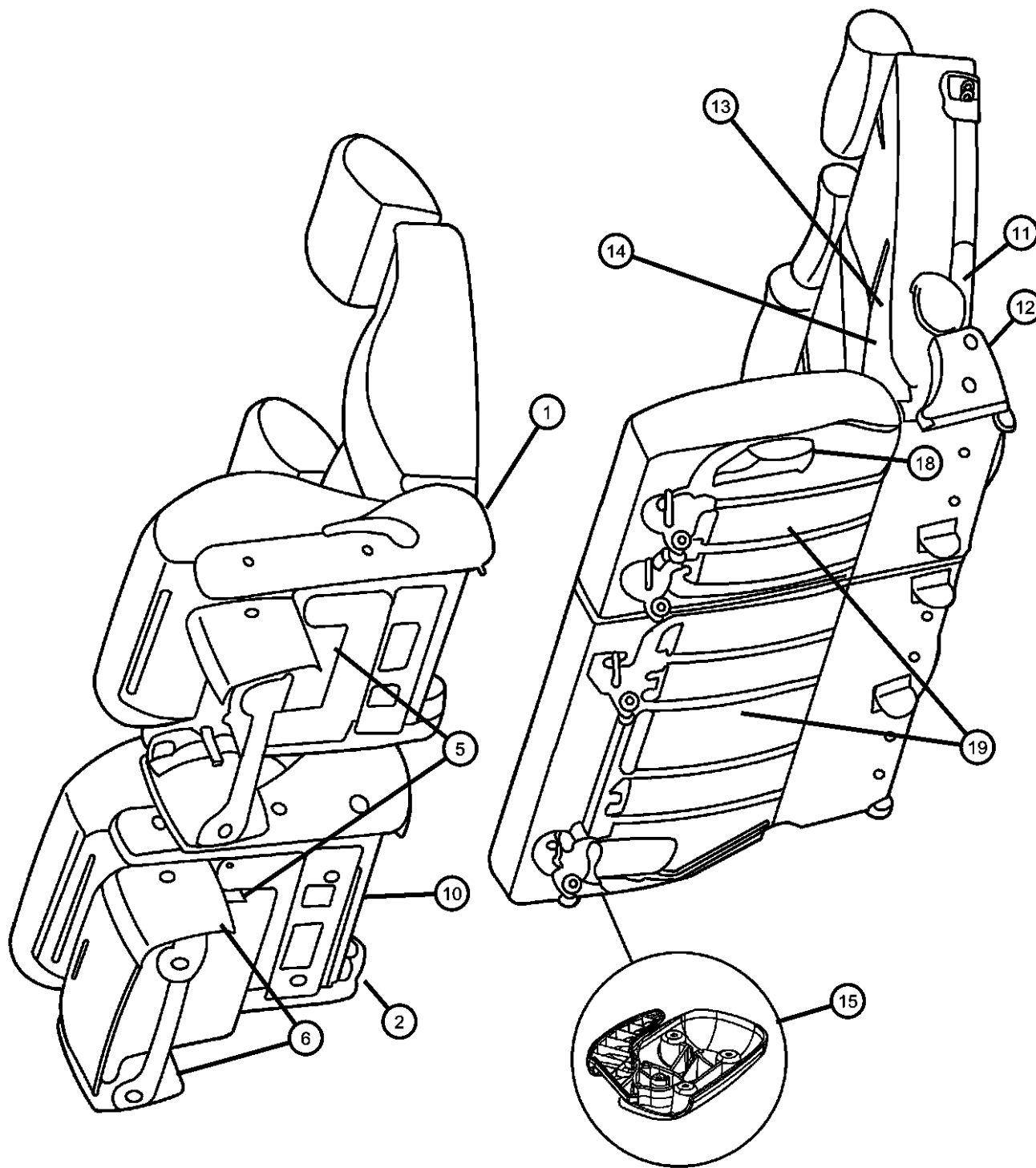
PT CRUISER (PT)

| | | | | |
|--------------|---|----------------|--|--|
| SERIES | LINE | BODY | ENGINE | TRANSMISSION |
| H = HIGHLINE | Z = CHRYSLER (RHD) C = CHRYSLER, LHD | 44 = Four Door | ECC = ENGINE - 2.0L 4 CYL DOHC 16V SMPI EDZ = ENGINE - 2.4L 4 CYL DOHC 16V SMPI | DGL = TRANSMISSION - 4-SPD. AUTOMATIC, 41TE DD5 = TRANSMISSION - 5-SPEED MANUAL DDO = All Manual Transmissions DGO = All Automatics |

AR = use ase required - = Non illustrated part

2001 PT

Shields and Risers Figure IPT-820



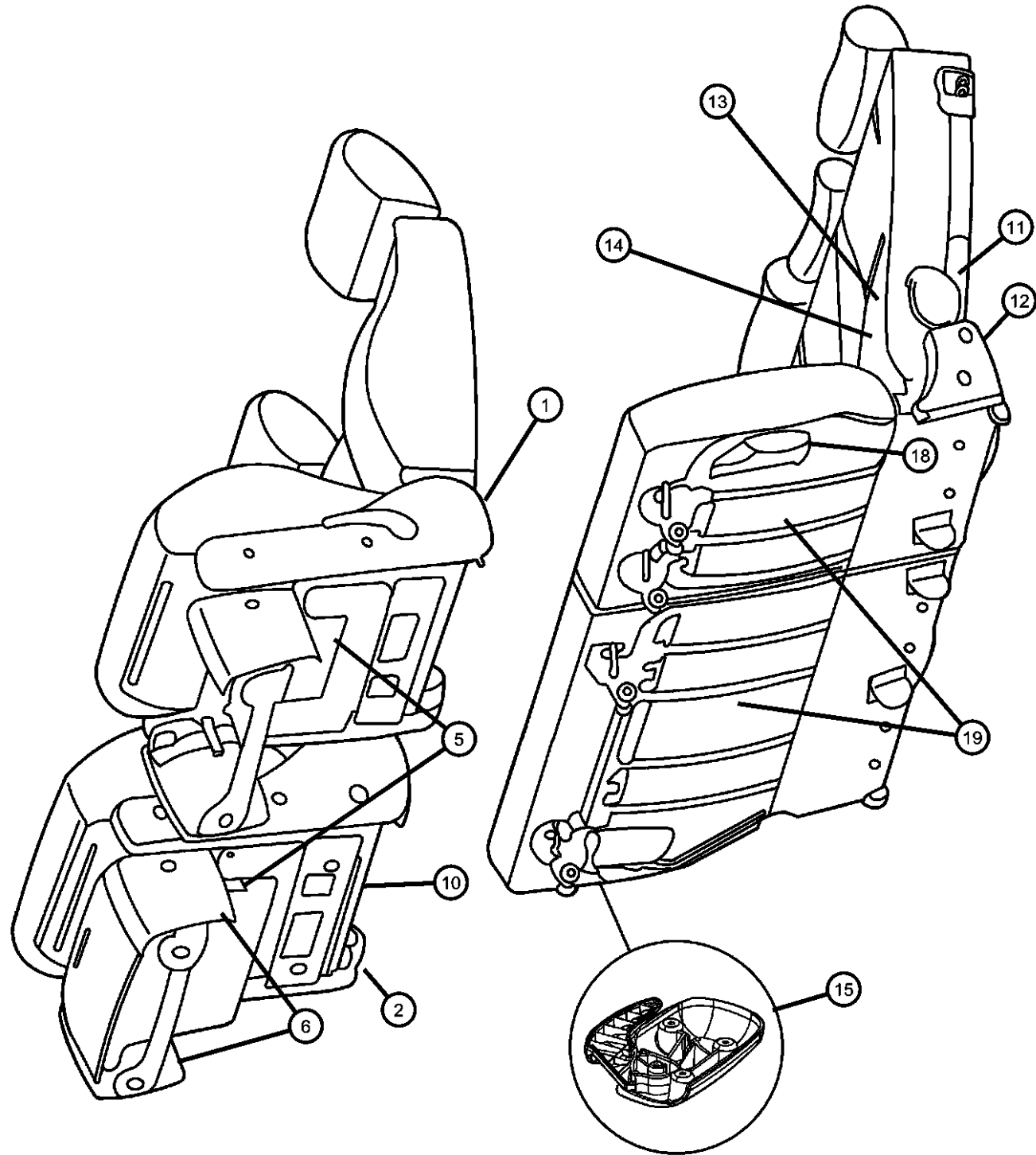
| ITEM | PART NUMBER | QTY | LINE | SERIES | BODY | ENGINE | TRANS | TRIM | DESCRIPTION |
|------|-------------|-----|------|--------|------|--------|-------|------|--|
| -8 | 06505996AA | 8 | | | | | | | SCREW AND WASHER, M10x1.5x25, Riser to Floor Attaching |
| -9 | 06503679 | 8 | | | | | | | NUT, M10x1.50, Riser to Floor Attaching |
| 10 | | | | | | | | | CROSSMEMBER, Seat Riser Front |
| | 05016687AA | 2 | Z | | | | | *R7 | |
| | | 2 | C | | | | | *R7 | |
| | | 2 | Z | | | | | *GL | |
| | | 2 | C | | | | | *GL | |
| 11 | | | | | | | | | SHIELD, Rear Seat-Low Lock |
| | 05016766AA | 1 | Z | | | | | *R7 | Upper, Right |
| | | 1 | C | | | | | *R7 | Upper, Right |
| | | 1 | Z | | | | | *GL | Upper, Right |
| | | 1 | C | | | | | *GL | Upper, Right |
| | 05016767AA | 1 | Z | | | | | *R7 | Upper, Left |
| | | 1 | C | | | | | *R7 | Upper, Left |
| | | 1 | Z | | | | | *GL | Upper, Left |
| | | 1 | C | | | | | *GL | Upper, Left |
| 12 | | | | | | | | | SHIELD, Rear Seat-Low Lock |
| | 05016768AA | 1 | Z | | | | | *R7 | Lower, Right |
| | | 1 | C | | | | | *R7 | Lower, Right |
| | | 1 | Z | | | | | *GL | Lower, Right |
| | | 1 | C | | | | | *GL | Lower, Right |
| | 05016769AA | 1 | Z | | | | | *R7 | Lower, Left |
| | | 1 | C | | | | | *R7 | Lower, Left |
| | | 1 | Z | | | | | *GL | Lower, Left |
| | | 1 | C | | | | | *GL | Lower, Left |
| 13 | | | | | | | | | SHIELD, Rear Seat-I/B Pivot |
| | 05016770AA | 1 | Z | | | | | *R7 | Upper, Right |
| | | 1 | C | | | | | *R7 | Upper, Right |
| | | 1 | Z | | | | | *GL | Upper, Right |
| | | 1 | C | | | | | *GL | Upper, Right |
| | 05016771AA | 1 | Z | | | | | *R7 | Upper, Left |

PT CRUISER (PT)

| | | | | |
|---------------|---|----------------|--|--|
| SERIES | LINE | BODY | ENGINE | TRANSMISSION |
| H = HIGHLINE | Z = CHRYSLER (RHD) C = CHRYSLER, LHD | 44 = Four Door | ECC = ENGINE - 2.0L 4 CYL DOHC 16V SMPI EDZ = ENGINE - 2.4L 4 CYL DOHC 16V SMPI | DGL = TRANSMISSION - 4-SPD. AUTOMATIC, 41TE DD5 = TRANSMISSION - 5-SPEED MANUAL DDO = All Manual Transmissions DGO = All Automatics |

AR = use ase required - = Non illustrated part

Shields and Risers
Figure IPT-820



| ITEM | PART NUMBER | QTY | LINE | SERIES | BODY | ENGINE | TRANS | TRIM | DESCRIPTION |
|------|-------------|-----|------|--------|------|--------|-------|------|-------------------------------|
| | | 1 | C | | | | | *R7 | Upper, Left |
| | | 1 | Z | | | | | *GL | Upper, Left |
| | | 1 | C | | | | | *GL | Upper, Left |
| 14 | | | | | | | | | SHIELD, Rear Seat-I/B Pivot |
| | 05016772AA | 1 | Z | | | | | *R7 | Lower, Right |
| | | 1 | C | | | | | *R7 | Lower, Right |
| | | 1 | Z | | | | | *GL | Lower, Right |
| | 05016773AA | 1 | C | | | | | *GL | Lower, Right |
| | | 1 | Z | | | | | *R7 | Lower, Left |
| | | 1 | C | | | | | *R7 | Lower, Left |
| | | 1 | Z | | | | | *GL | Lower, Left |
| | | 1 | C | | | | | *GL | Lower, Left |
| 15 | | | | | | | | | HANDLE, Seat Release |
| | 05016786AA | 1 | Z | | | | | *R7 | Right |
| | | 1 | C | | | | | *R7 | Right |
| | | 1 | Z | | | | | *GL | Right |
| | 05016787AA | 1 | C | | | | | *GL | Right |
| | | 1 | Z | | | | | *R7 | Left |
| | | 1 | C | | | | | *R7 | Left |
| | | 1 | Z | | | | | *GL | Left |
| | | 1 | C | | | | | *GL | Left |
| -16 | | | | | | | | | CABLE, REAR SEAT RELEASE |
| | 05066244AA | 2 | Z | | | | | *GL | Right and Left Seat, Outboard |
| | | 2 | C | | | | | *R7 | Right and Left Seat, Outboard |
| | | 2 | Z | | | | | *R7 | Right and Left Seat, Outboard |
| | | 2 | C | | | | | *GL | Right and Left Seat, Outboard |
| | 05066703AA | 1 | C | | | | | *GL | Right (65 % Side), Inboard |
| | | 1 | Z | | | | | *GL | Right (65 % Side), Inboard |
| | | 1 | C | | | | | *R7 | Right (65 % Side), Inboard |
| | | 1 | Z | | | | | *R7 | Right (65 % Side), Inboard |
| -17 | | | | | | | | | SHIELD, Cushion Latch |
| | 0UY781FLAA | 3 | C | | | | | *GL | [FL] |
| | | 3 | Z | | | | | *GL | [FL] |

PT CRUISER (PT)

SERIES

H = HIGHLINE

LINE

Z = CHRYSLER (RHD)

C = CHRYSLER, LHD

BODY

44 = Four Door

ENGINE

ECC = ENGINE - 2.0L 4 CYL

DOHC 16V SMPI

EDZ = ENGINE - 2.4L 4 CYL

DOHC 16V SMPI

TRANSMISSION

DGL = TRANSMISSION - 4-SPD.

AUTOMATIC, 41TE

DD5 = TRANSMISSION - 5-SPEED

MANUAL

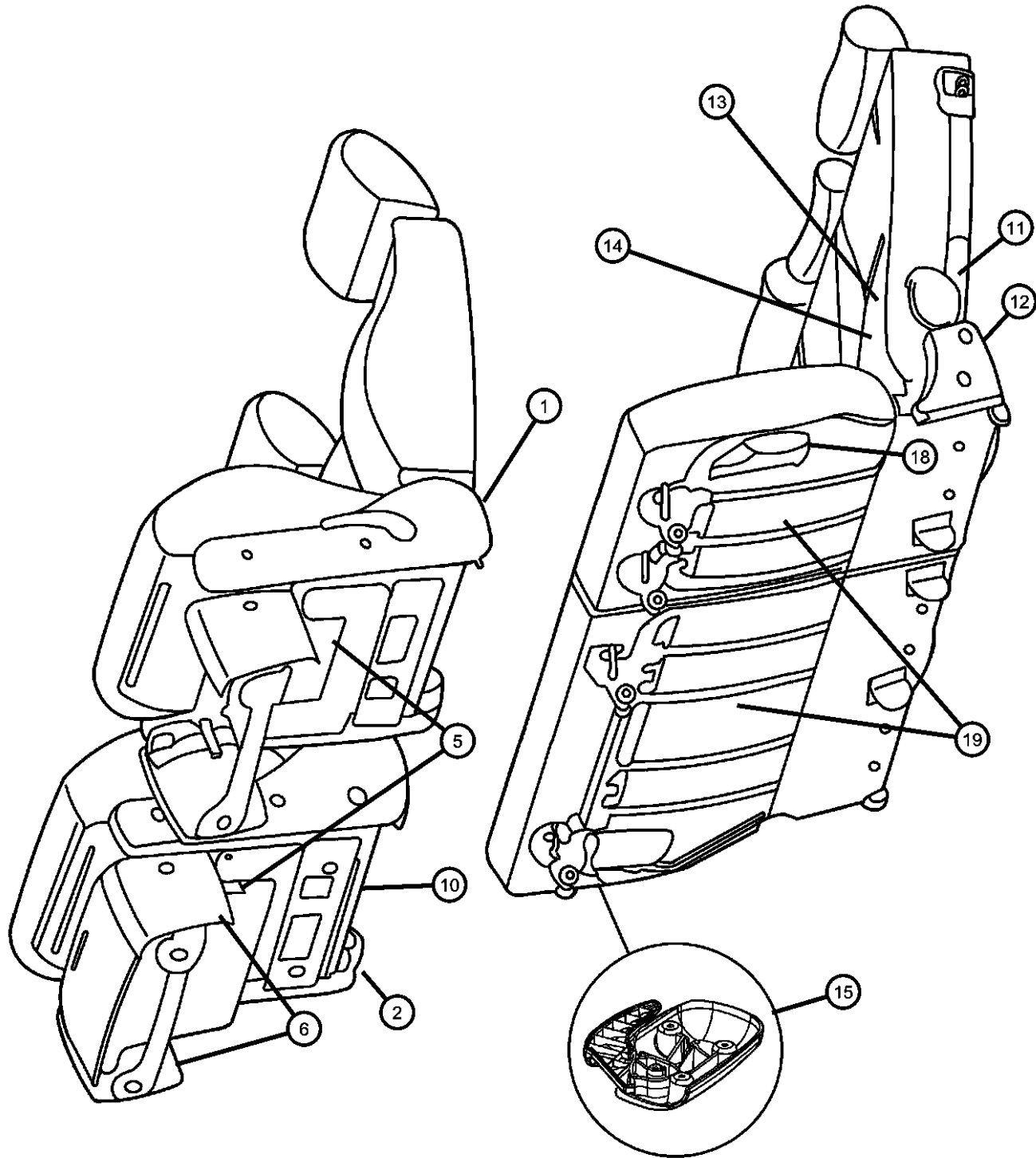
DDO = All Manual Transmissions

DGO = All Automatics

AR = use ase required - = Non illustrated part

2001 PT

Shields and Risers
Figure IPT-820



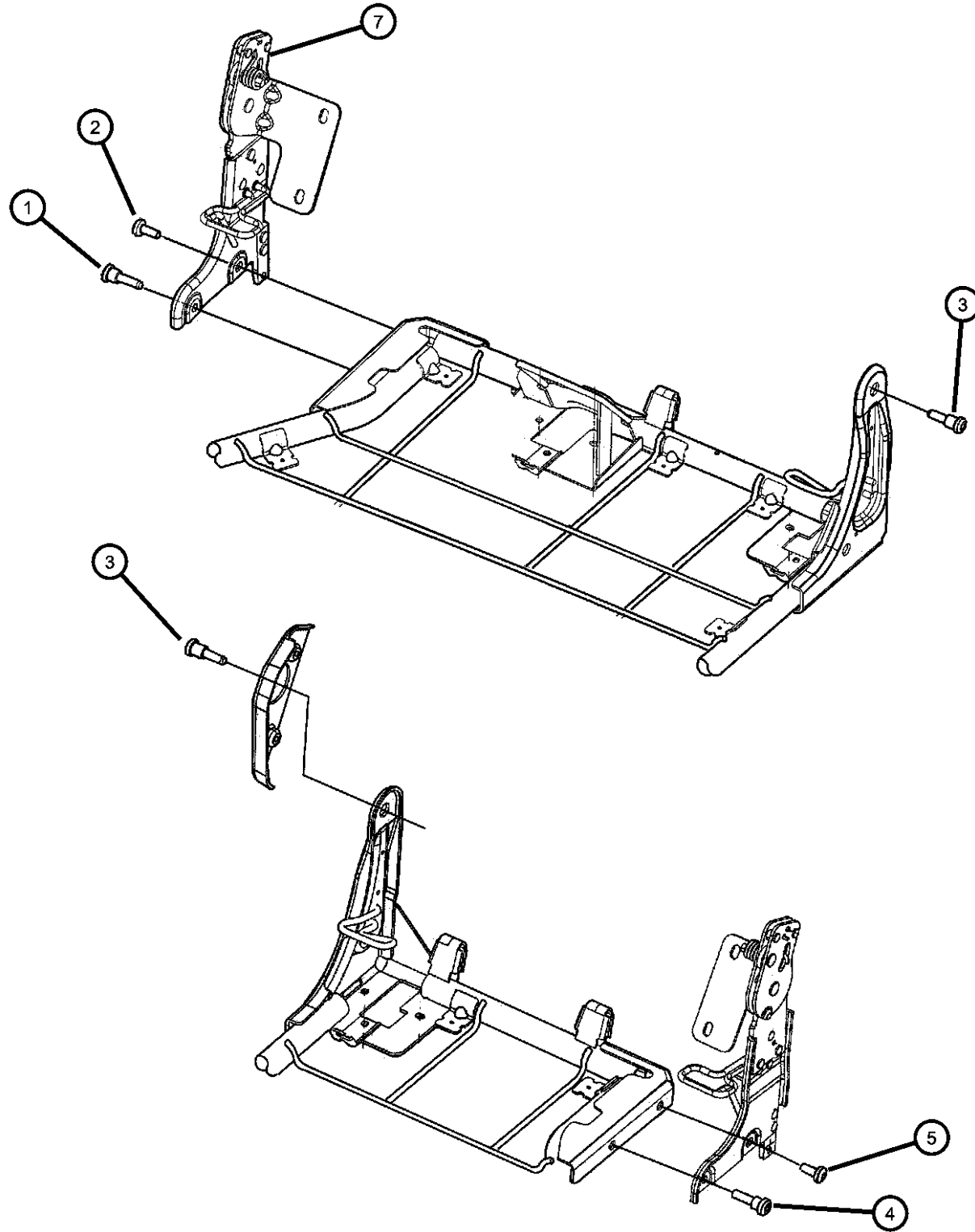
| ITEM | PART NUMBER | QTY | LINE | SERIES | BODY | ENGINE | TRANS | TRIM | DESCRIPTION |
|------|-------------|-----|------|--------|------|--------|-------|------|---|
| | | 3 | C | | | | | *R7 | [FL] |
| | | 3 | Z | | | | | *R7 | [FL] |
| 18 | 05080892AA | 1 | | | | | | | HANDLE, Latch Release |
| | | 1 | | | | | | *R7 | 40 % Side (Emergency Latch Handle) |
| | | 1 | | | | | | *GL | 40 % Side (Emergency Latch Handle) |
| | | 1 | | | | | | *R7 | 40 % Side, Export (Emergency Latch Handle) |
| | | 1 | | | | | | *GL | 40 % Side, Export (Emergency Latch Handle) |
| 19 | 0WR541FLAA | 1 | C | | | | | | SHIELD, Seat Cushion |
| | | 1 | C | | | | | *GL | [FL], 60 % Side |
| | | 1 | C | | | | | *R7 | [FL], 60 % Side |
| | 0WR551FLAA | 1 | C | | | | | *R7 | [FL], 40% Side |
| | | 1 | C | | | | | *GL | [FL], 40% Side |

PT CRUISER (PT)

| | | | | |
|--------------|---|----------------|--|--|
| SERIES | LINE | BODY | ENGINE | TRANSMISSION |
| H = HIGHLINE | Z = CHRYSLER (RHD) C = CHRYSLER, LHD | 44 = Four Door | ECC = ENGINE - 2.0L 4 CYL DOHC 16V SMPI EDZ = ENGINE - 2.4L 4 CYL DOHC 16V SMPI | DGL = TRANSMISSION - 4-SPD. AUTOMATIC, 41TE DD5 = TRANSMISSION - 5-SPEED MANUAL DDO = All Manual Transmissions DGO = All Automatics |

AR = use ase required - = Non illustrated part

**Rear Seats Attaching Bolts
Figure IPT-830**



| ITEM | PART NUMBER | QTY | LINE | SERIES | BODY | ENGINE | TRANS | TRIM | DESCRIPTION |
|------|-------------|-----|------|--------|------|--------|-------|------|--|
| 1 | 05080561AA | 1 | C | | | | | *GL | BOLT, Shoulder Stowage Strap Attaching (40% Seat) |
| | | 1 | C | | | | | *R7 | Stowage Strap Attaching (40% Seat) |
| 2 | 05080575AA | 1 | C | | | | | | BOLT Cushion Frame, Back Frame, Pivot Bracket Attaching (40 % Seat) |
| | | 1 | C | | | | | *R7 | Cushion Frame, Back Frame, Pivot Bracket Attaching (40 % Seat) |
| 3 | 05080555AA | 1 | C | | | | | *GL | BOLT, Shoulder Pivot and Rear Attachment, (40% Seat), Inboard |
| | | 1 | C | | | | | *R7 | Pivot and Rear Attachment, (40% Seat), Inboard |
| 4 | 05080561AA | 1 | C | | | | | *GL | BOLT, Shoulder Stowage Strap Attaching (60% Seat) |
| | | 1 | C | | | | | *R7 | Stowage Strap Attaching (60% Seat) |
| 5 | 05080575AA | 1 | C | | | | | | BOLT Cushion Frame, Back Frame, Pivot Bracket Attaching (60 % Seat) |
| | | 1 | C | | | | | *R7 | Cushion Frame, Back Frame, Pivot Bracket Attaching (60 % Seat) |
| -6 | 05080576AA | 1 | | | | | | *GL | BOLT Rear Attachment, Pivot Bracket Attachment, (60 % Seat) |
| | | 1 | | | | | | *R7 | Rear Attachment, Pivot Bracket Attachment, (60 % Seat) |
| 7 | | 1 | | | | | | | RECLINER, Seat Back, Rear (See ILL 810 Item 15 for Part Numbers, (NOT REQUIRED), |

PT CRUISER (PT)

SERIES LINE
H = HIGHLINE Z = CHRYSLER (RHD)
 C = CHRYSLER, LHD

BODY
44 = Four Door

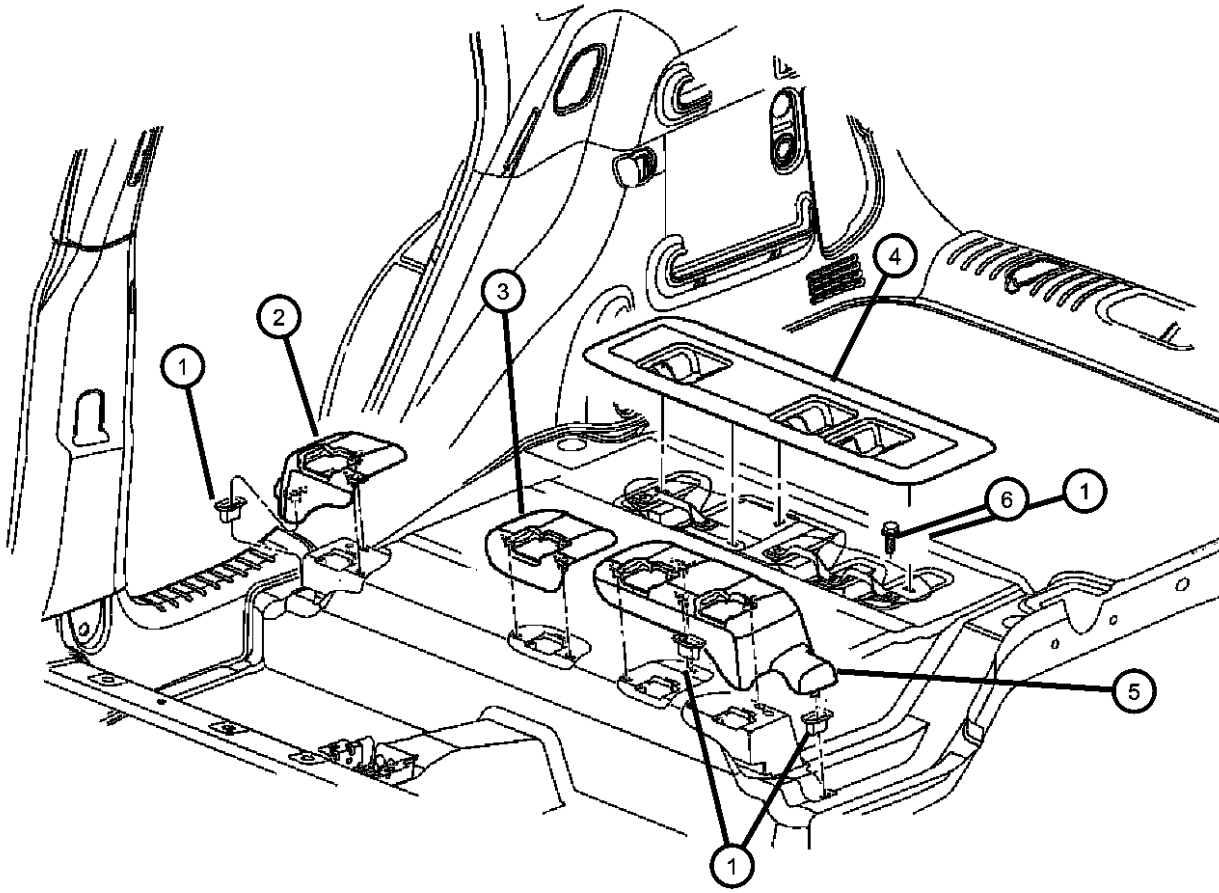
ENGINE TRANSMISSION
ECC = ENGINE - 2.0L 4 CYL DGL = TRANSMISSION - 4-SPD.
DOHC 16V SMPI AUTOMATIC, 41TE
EDZ = ENGINE - 2.4L 4 CYL DD5 = TRANSMISSION - 5-SPEED
DOHC 16V SMPI MANUAL
 DDO = All Manual Transmissions
 DGO = All Automatics

AR = use ase required - = Non illustrated part

2001 PT

**Seat - Rear Attaching Floor Pan
Figure IPT-840**

| ITEM | PART NUMBER | QTY | LINE | SERIES | BODY | ENGINE | TRANS | TRIM | DESCRIPTION |
|------|-------------|-----|------|--------|------|--------|-------|------|--|
| 1 | 06505670AA | 4 | | | | | | | NUT, Plastic |
| 2 | 0TK86WL8AC | 1 | | | | | | *00 | BEZEL, Seat Pivot, [FL], Right |
| 3 | 0TK88WL8AC | 1 | | | | | | *00 | BEZEL, Seat Pivot, [FL], Center |
| 4 | 0SA27WL8AB | 1 | | | | | | *00 | BEZEL, Seat Latch, [FL], Seat Striker |
| 5 | 0TK87WL8AC | 1 | | | | | | *00 | BEZEL, Seat Pivot, [FL], Left |
| 6 | 06505853AA | 5 | | | | | | | SCREW AND CONED WASHER, Hex Head Point Cut |



PT CRUISER (PT)

SERIES LINE
H = HIGHLINE Z = CHRYSLER (RHD)
 C = CHRYSLER, LHD

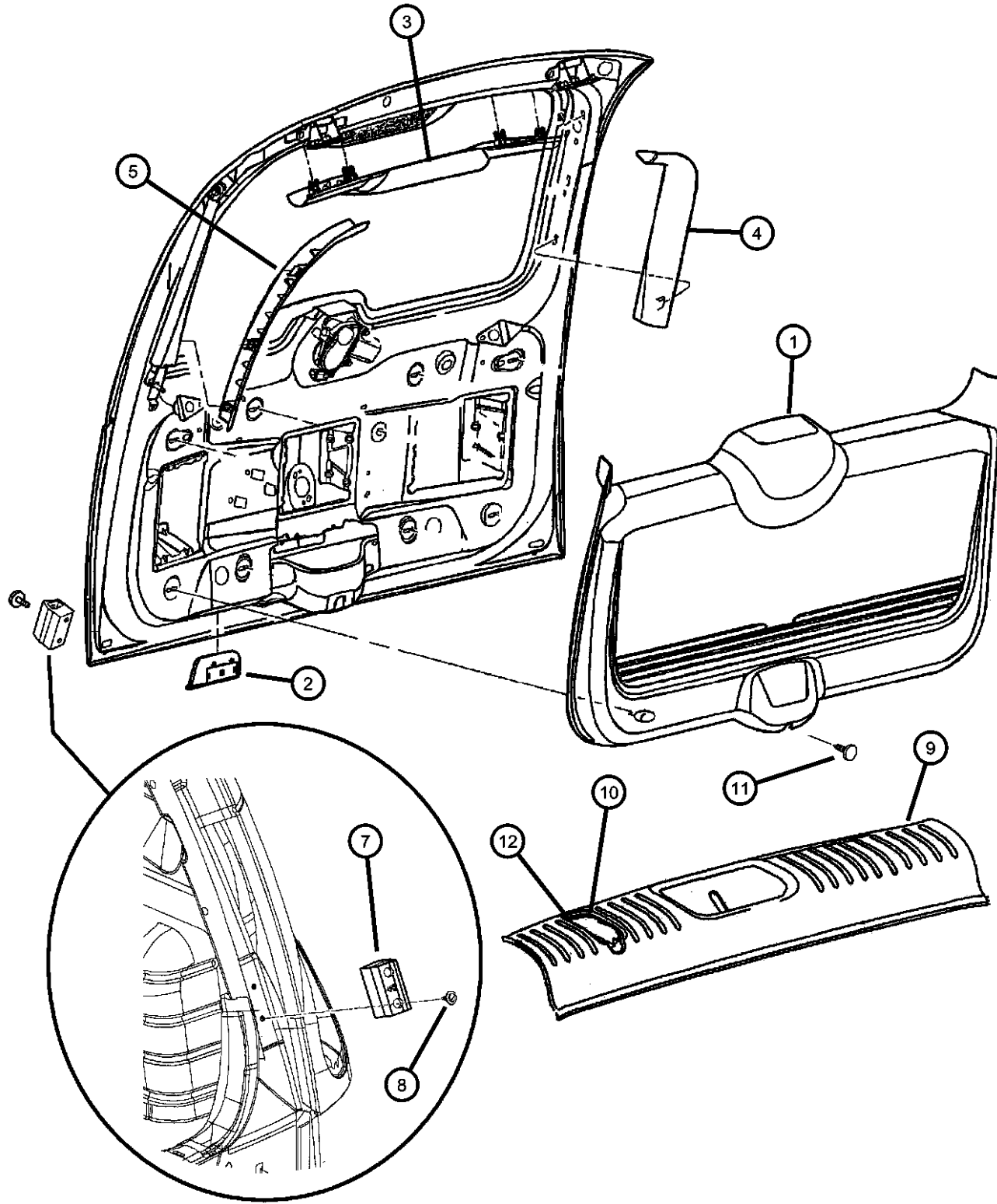
BODY
44 = Four Door

ENGINE TRANSMISSION
ECC = ENGINE - 2.0L 4 CYL DOHC 16V SMPI DGL = TRANSMISSION - 4-SPD. AUTOMATIC, 41TE
EDZ = ENGINE - 2.4L 4 CYL DOHC 16V SMPI DD5 = TRANSMISSION - 5-SPEED MANUAL
 DDO = All Manual Transmissions
 DGO = All Automatics

AR = use ase required - = Non illustrated part

2001 PT

Lifgate Panel and Scuff Plate
Figure IPT-1010



| ITEM | PART NUMBER | QTY | LINE | SERIES | BODY | ENGINE | TRANS | TRIM | DESCRIPTION |
|------|-------------|-----|------|--------|------|--------|-------|------|--|
| 1 | 0RK04WL8AC | 1 | | | | | | *00 | PANEL, Lifgate, [FL] |
| 2 | 0SG48MF1AB | 1 | | | | | | *00 | CUP, Door Pull, [FL] |
| 3 | 0RK02MF1AC | 1 | | | | | | *00 | COVER, Lamp Opening, [FL] |
| 4 | 0SF22MF1AC | 1 | | | | | | *00 | MOLDING, Lifgate, [FL], Right |
| 5 | 0SF23MF1AC | 1 | | | | | | *00 | MOLDING, Lifgate, [FL], Left |
| -6 | | | | | | | | | CLIP, Trim Panel |
| | 06503167 | 2 | | | | | | *00 | [CHMSL] Cover Attaching |
| | | 2 | | | | | | *00 | Lifgate Panel Attaching |
| | | 2 | | | | | | *00 | Molding Attaching |
| 7 | 04724746AA | 2 | C | | | | | | BUMPER, Rubber, Drain Trough Outer Stab. |
| 8 | 06504432 | 4 | | | | | | | SCREW, Pan Head, M6-1.00x29.00, Stabilizer to Trough |
| 9 | 0RJ37WL8AC | 1 | | | | | | *00 | PLATE, Scuff, Dark Taupe |
| 10 | 06505670AA | 8 | | | | | | | NUT, Plastic, Cargo Plate Sill Scuff |
| 11 | 0UB33WL8AA | 1 | | | | | | *00 | CLIP, Trim, [FL] |
| 12 | 0SG38WL8AA | 1 | | | | | | *00 | COVER, Spare Tire Bolt |

PT CRUISER (PT)

SERIES LINE
H = HIGHLINE Z = CHRYSLER (RHD)
C = CHRYSLER, LHD

BODY
44 = Four Door

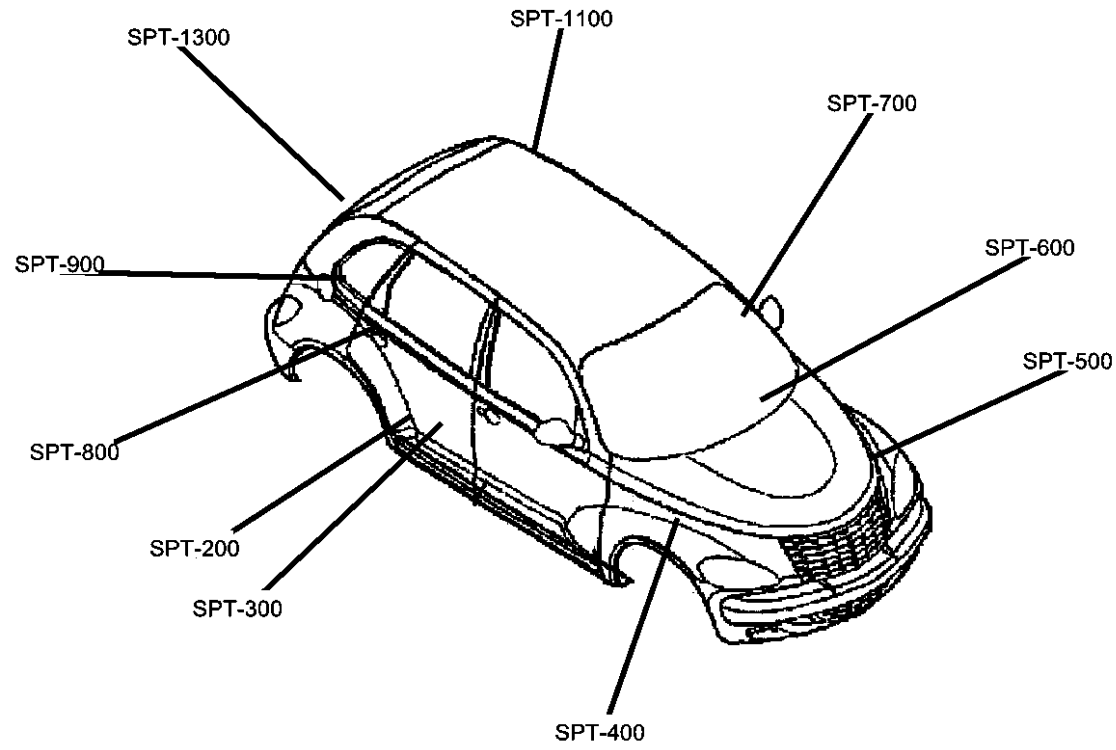
ENGINE TRANSMISSION
ECC = ENGINE - 2.0L 4 CYL DOHC 16V SMPI DGL = TRANSMISSION - 4-SPD.
AUTOMATIC, 41TE
EDZ = ENGINE - 2.4L 4 CYL DOHC 16V SMPI DD5 = TRANSMISSION - 5-SPEED
MANUAL
DDO = All Manual Transmissions
DGO = All Automatics

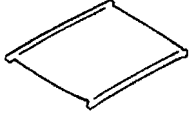

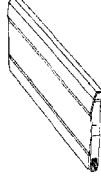
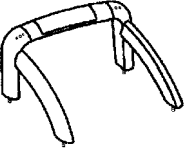
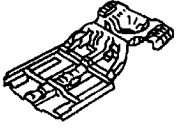


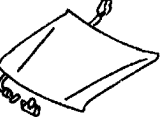
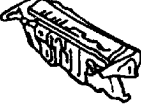

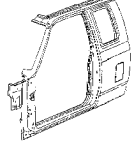
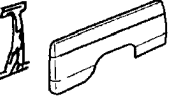
AR = use ase required - = Non illustrated part

2001 PT

Group - SPT

Body Sheet Metal Except Doors



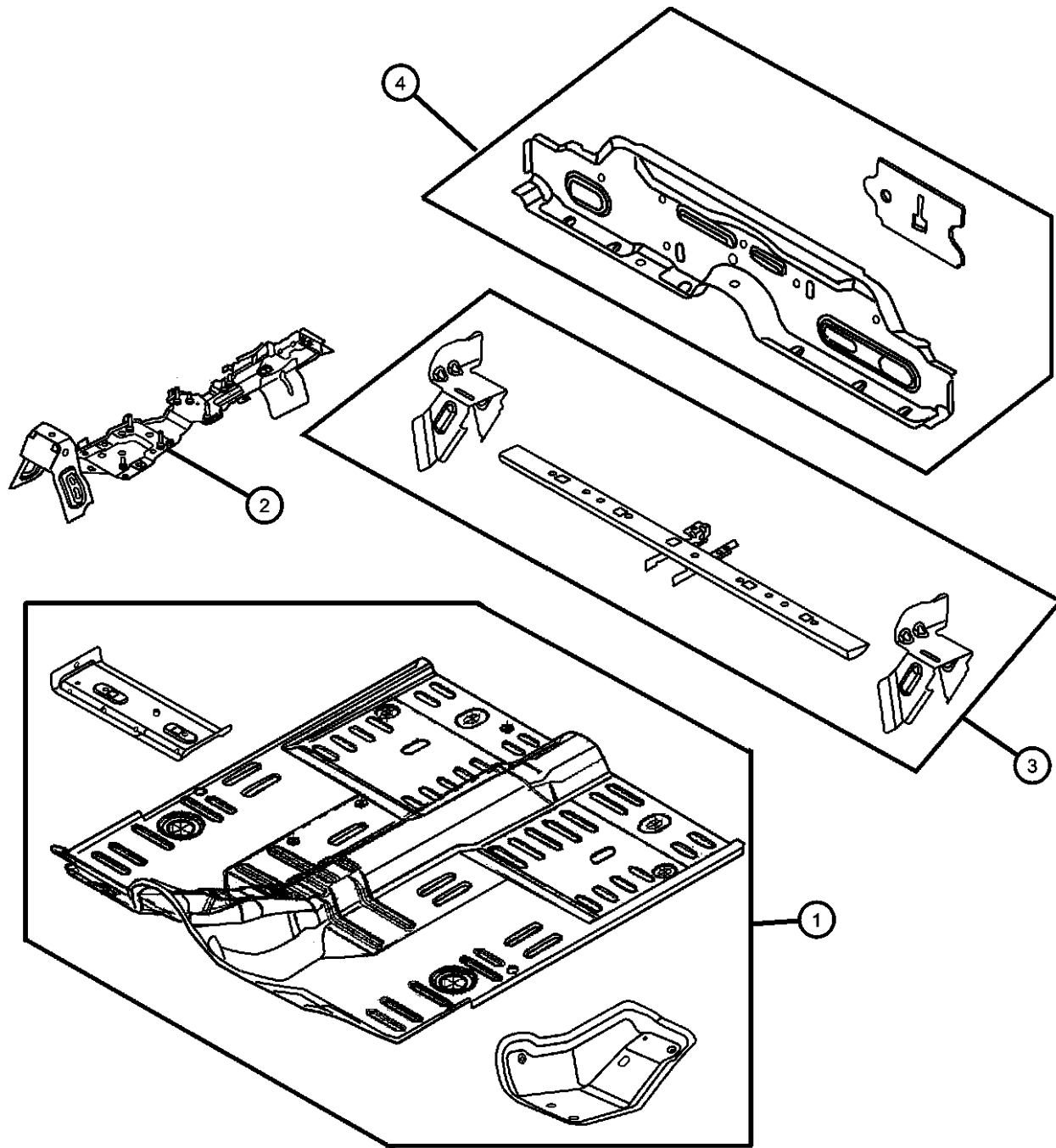
| | | | |
|--|---|---|--|
| SPT-1100 Roof Panels  | SPT-1200 Sunroof  | SPT-1300 Liftgate Panel  | SPT-1600 Luggage Rack  |
| SPT-200 Floor Pans  | SPT-300 Plugs  | SPT-400 Front Fenders  | SPT-500 Hood & Hood Release  |
| SPT-600 Cowl and Dash Panel  | SPT-700 Glass and Rear View Mirror  | SPT-800 Aperture Panel  | SPT-900 Quarter Panel and Pillars  |

Group - SPT Body Sheet Metal Except Doors

| Illustration Title | Group-Fig. No. |
|---|-----------------|
| Floor Pans | |
| Floor Pan - Front | Fig. SPT - 210 |
| Floor Pan - Rear | Fig. SPT - 220 |
| Plugs | |
| Plugs - Floor Pan | Fig. SPT - 310 |
| Plugs - Body | Fig. SPT - 320 |
| Front Fenders | |
| Fender - Front | Fig. SPT - 410 |
| Shields - Fenders | Fig. SPT - 420 |
| Hood & Hood Release | |
| Hood and Hood Release | Fig. SPT - 510 |
| Seals and Weather Strips (Hood) | Fig. SPT - 520 |
| Silencer Dash | Fig. SPT - 530 |
| Cowl and Dash Panel | |
| Cowl Panel and Screen | Fig. SPT - 610 |
| Cowl Panel - Attaching Parts | Fig. SPT - 620 |
| Panel Dash | Fig. SPT - 630 |
| Glass and Rear View Mirror | |
| Windshield, Backlite and Mirror | Fig. SPT - 710 |
| Aperture Panel | |
| Aperture Panels (Use Up To 2-1-2001) | Fig. SPT - 805 |
| Aperture Panels (Use After 2-1-2001) | Fig. SPT - 810 |
| Aperature Panels (Use After 2-1-2001) Skin Only | Fig. SPT - 815 |
| Panel Body Side Sill - Inner | Fig. SPT - 820 |
| B - Pillar | Fig. SPT - 825 |
| Striker Front and Rear Door | Fig. SPT - 830 |
| Sill Cover | Fig. SPT - 835 |
| Quarter Panel and Pillars | |
| Quarter Panel | Fig. SPT - 910 |
| Fuel Filler Door | Fig. SPT - 920 |
| Roof Panels | |
| Roof Panel | Fig. SPT - 1110 |
| Sunroof | |
| Sunroof | Fig. SPT - 1210 |
| Sunroof Drain Hoses | Fig. SPT - 1220 |
| Liftgate Panel | |
| Liftgate Panel | Fig. SPT - 1310 |
| Liftgate Hardware | Fig. SPT - 1320 |
| Luggage Rack | |
| Luggage Rack - Roof | Fig. SPT - 1610 |

Floor Pan - Front
Figure SPT-210

| ITEM | PART NUMBER | QTY | LINE | SERIES | BODY | ENGINE | TRANS | TRIM | DESCRIPTION |
|------|-------------|-----|------|--------|------|--------|-------|------|-------------------------|
| 1 | 05016288AA | 1 | | | | | | | PAN, Front Floor |
| 2 | 04724566AB | 1 | | | | | | | BRACKET, Floor Console |
| 3 | 05017435AA | 1 | | | | | | | BEAM, Front Floor Pan |
| 4 | 05027377AB | 1 | | | | | | | CROSSMEMBER, Rear Floor |
| -5 | 05027004AB | 1 | | | | | | | BRACKET, Rear Seat |



PT CRUISER (PT)

SERIES LINE
 H = HIGHLINE Z = CHRYSLER (RHD)
 C = CHRYSLER, LHD

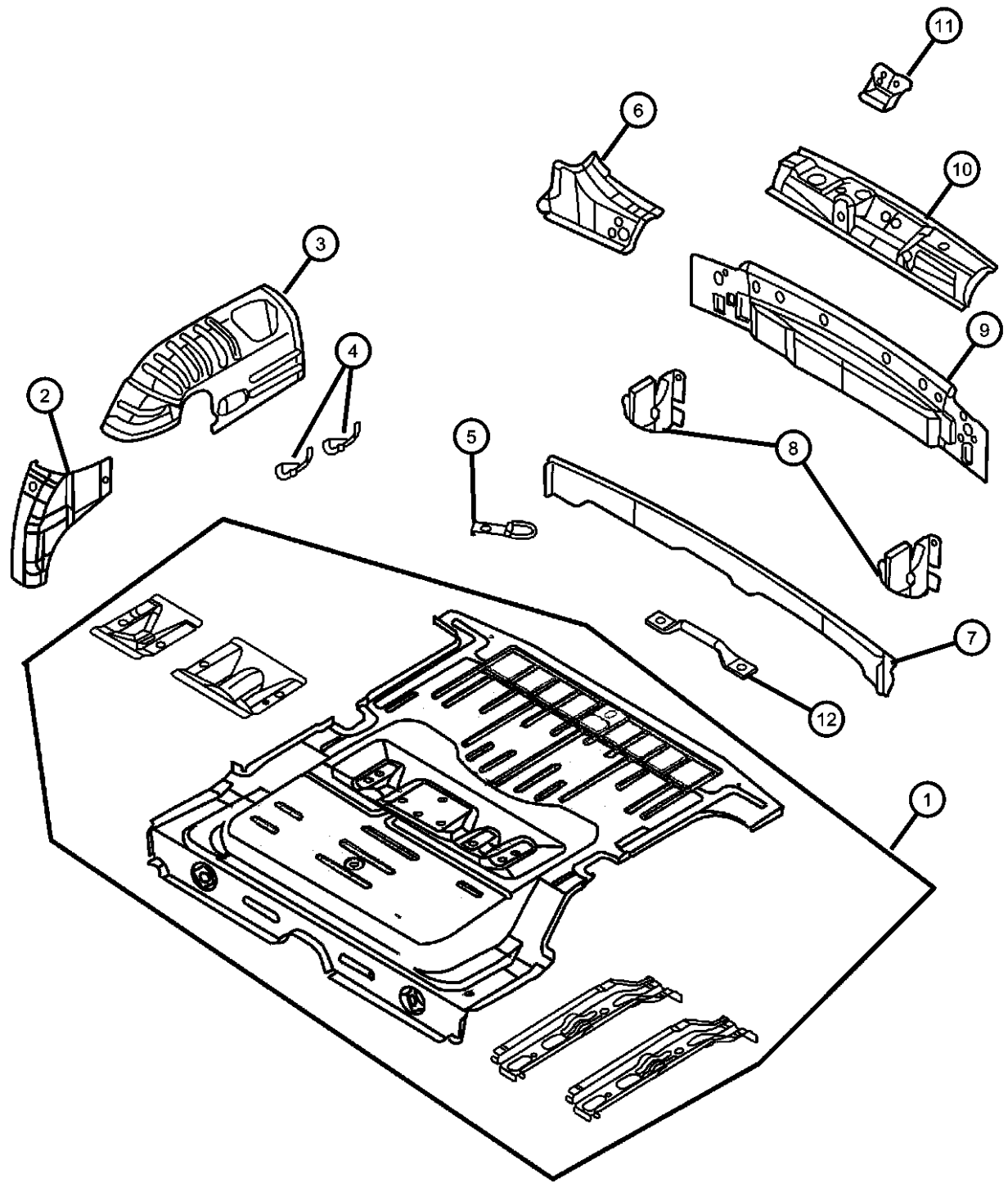
BODY
 44 = Four Door

ENGINE TRANSMISSION
 ECC = ENGINE - 2.0L 4 CYL DOHC 16V SMPI DGL = TRANSMISSION - 4-SPD. AUTOMATIC, 41TE
 EDZ = ENGINE - 2.4L 4 CYL DOHC 16V SMPI DD5 = TRANSMISSION - 5-SPEED MANUAL
 DDO = All Manual Transmissions
 DGO = All Automatics

AR = use ase required - = Non illustrated part

2001 PT

Floor Pan - Rear
Figure SPT-220



| ITEM | PART NUMBER | QTY | LINE | SERIES | BODY | ENGINE | TRANS | TRIM | DESCRIPTION |
|------|-------------|-----|------|--------|------|--------|-------|------|--|
| 1 | 05016289AA | 1 | | | | | | | PAN, Rear Floor |
| 2 | | | | | | | | | EXTENSION, Wheel House |
| | 05017436AB | 1 | | | | | | | Right |
| | 05017437AB | 1 | | | | | | | Left |
| 3 | | | | | | | | | PANEL, Rear Wheelhouse |
| | 04724594AC | 1 | | | | | | | Right |
| | 04724595AC | 1 | | | | | | | Left |
| 4 | 05027009AA | 3 | | | | | | | BRACKET, Wheel House |
| 5 | 05027006AA | 2 | | | | | | | LOOP, Cargo Tie Down |
| 6 | | | | | | | | | PANEL, Liftgate Opening Lower |
| | 04724584AA | 1 | | | | | | | Right |
| | 04724585AA | 1 | | | | | | | Left |
| 7 | 04724576AA | 1 | | | | | | | REINFORCEMENT, Floor Pan |
| 8 | | | | | | | | | REINFORCEMENT, Rear Floor Pan Closure To Spare Tire Closure |
| | 04724860AA | 1 | | | | | | | Right |
| | 04724861AA | 1 | | | | | | | Left |
| 9 | 04724575AA | 1 | | | | | | | PANEL, Rear Closure |
| 10 | 05017774AA | 1 | | | | | | | PANEL, Liftgate Opening Lower |
| 11 | 04724583AA | 1 | | | | | | | TAPPING PLATE, Striker |
| 12 | | | | | | | | | STRIKER, Rear Seat |
| | 04724978AD | 1 | | | | | | | Right |
| | 04724979AD | 1 | | | | | | | Left |

PT CRUISER (PT)

SERIES LINE
H = HIGHLINE Z = CHRYSLER (RHD)
C = CHRYSLER, LHD

BODY
44 = Four Door

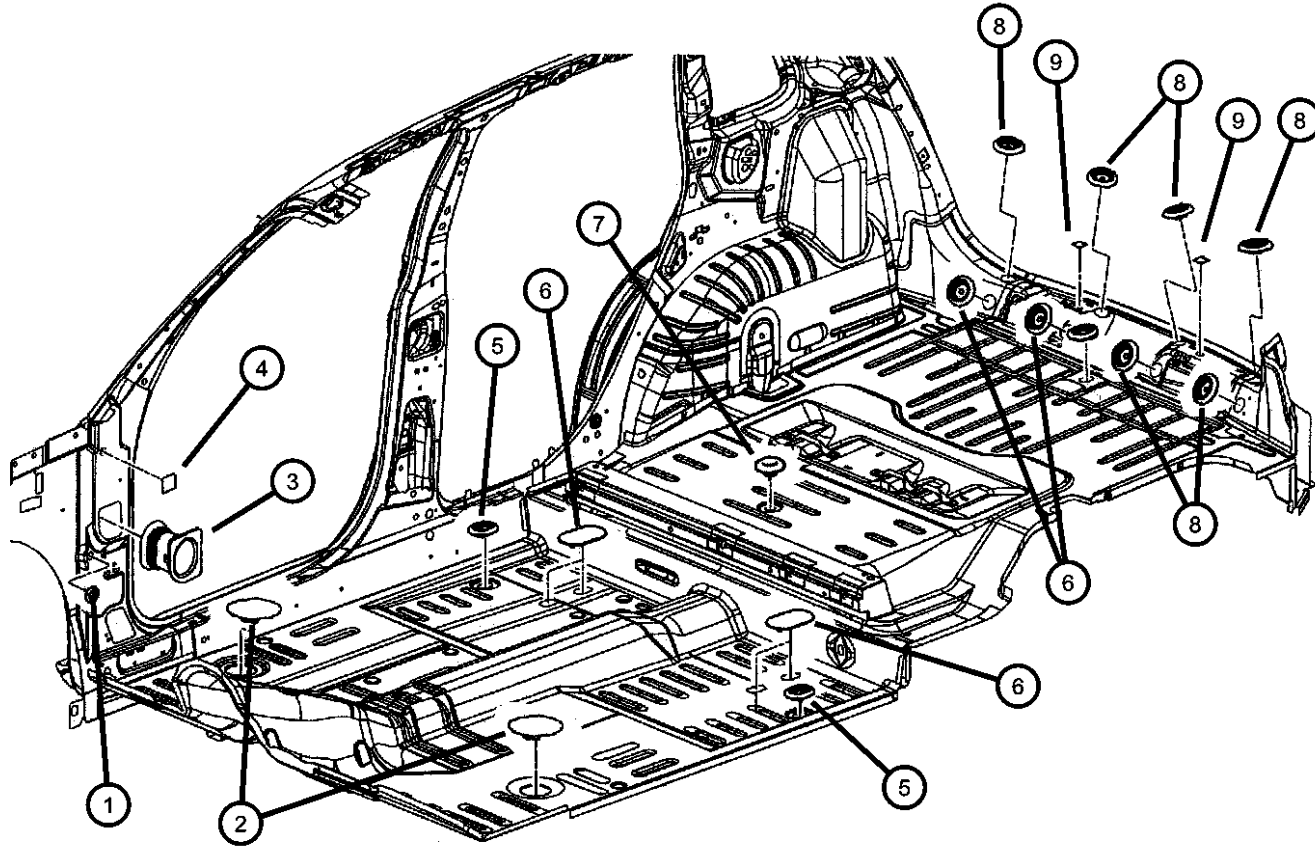
ENGINE TRANSMISSION
ECC = ENGINE - 2.0L 4 CYL DOHC 16V SMPI
EDZ = ENGINE - 2.4L 4 CYL DOHC 16V SMPI
DGL = TRANSMISSION - 4-SPD. AUTOMATIC, 41TE
DD5 = TRANSMISSION - 5-SPEED MANUAL
DDO = All Manual Transmissions
DGO = All Automatics

AR = use ase required - = Non illustrated part

2001 PT

Plugs - Floor Pan
Figure SPT-310

| ITEM | PART NUMBER | QTY | LINE | SERIES | BODY | ENGINE | TRANS | TRIM | DESCRIPTION |
|------|-------------|-----|------|--------|------|--------|-------|------|---|
| 1 | 05255216 | 1 | | | | | | | PLUG, Body, .875 Diameter, Dash Panel Gauge Hole |
| 2 | 04674441 | 2 | | | | | | | PLUG, Body, .75 Diameter, Front Hinge Pillar Gage Hole |
| 3 | | | | | | | | | PLUG, Cowl Side |
| | 05027154AA | 1 | | | | | | | To Hinge Pillar, Right |
| | 05027155AA | 1 | | | | | | | To Hinge Pillar, Left |
| 4 | 02860332 | 2 | | | | | | | PLUG, Anti-Rattle, Antenna Pass Thru Hole |
| 5 | 04780194 | 2 | | | | | | | PLUG, Drain, Floor Pan |
| 6 | | | | | | | | | PLUG, Body, 25.4mm x 38.1mm |
| | 06004507 | 2 | | | | | | | Rear, Floor Pan |
| | | 1 | | | | | | | Front, Floor Pan |
| 7 | 04780194 | 2 | | | | | | | PLUGRear, Floor Pan |
| 8 | 04670088 | 8 | | | | | | | PLUG, Dash Panel, 35mm Diameter, Lift Gate Opening, Lower |
| 9 | 04278178 | 2 | | | | | | | TAPE, Hole Cover, 50x50x1 mm, Liftgate Opening |



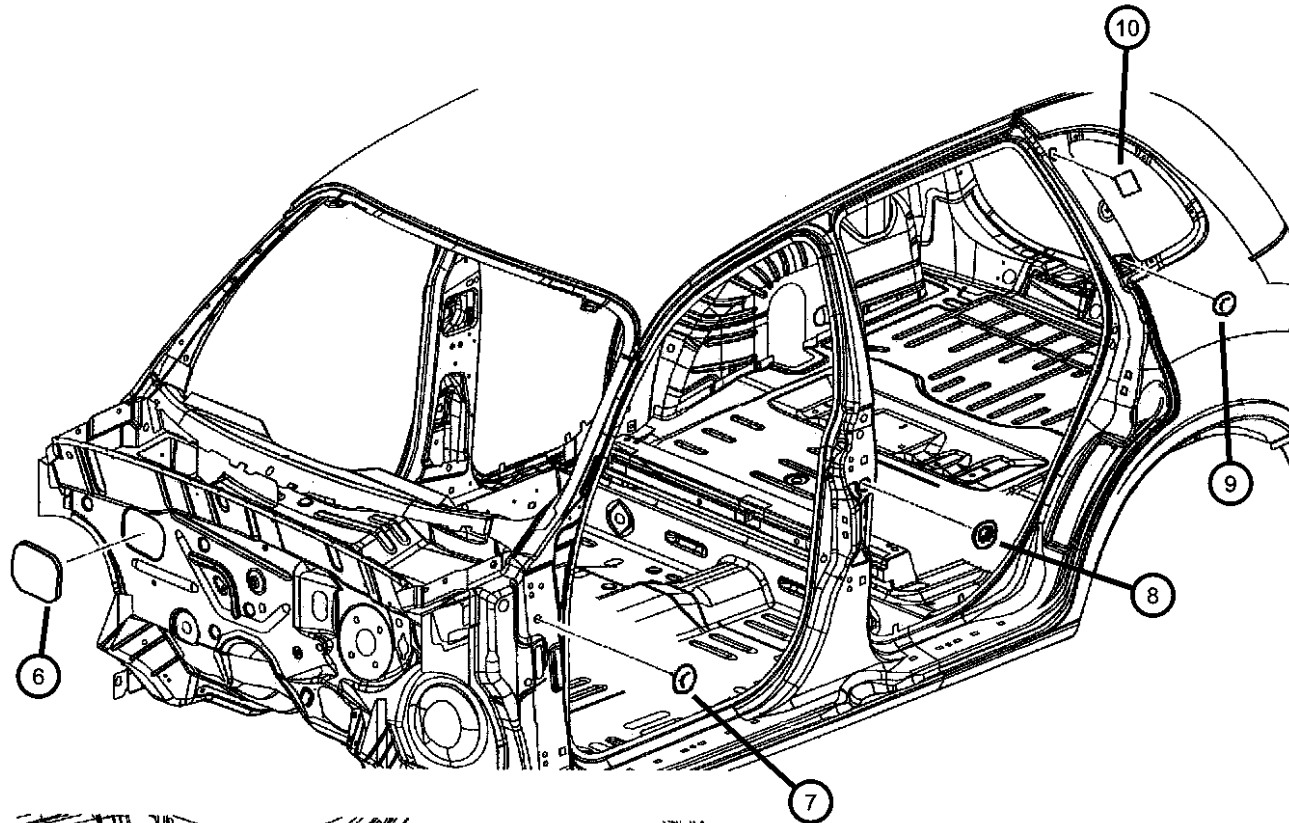
PT CRUISER (PT)

| | | | | |
|--------------|---|----------------|--|--|
| SERIES | LINE | BODY | ENGINE | TRANSMISSION |
| H = HIGHLINE | Z = CHRYSLER (RHD) C = CHRYSLER, LHD | 44 = Four Door | ECC = ENGINE - 2.0L 4 CYL DOHC 16V SMPI EDZ = ENGINE - 2.4L 4 CYL DOHC 16V SMPI | DGL = TRANSMISSION - 4-SPD. AUTOMATIC, 41TE DD5 = TRANSMISSION - 5-SPEED MANUAL DDO = All Manual Transmissions DGO = All Automatics |

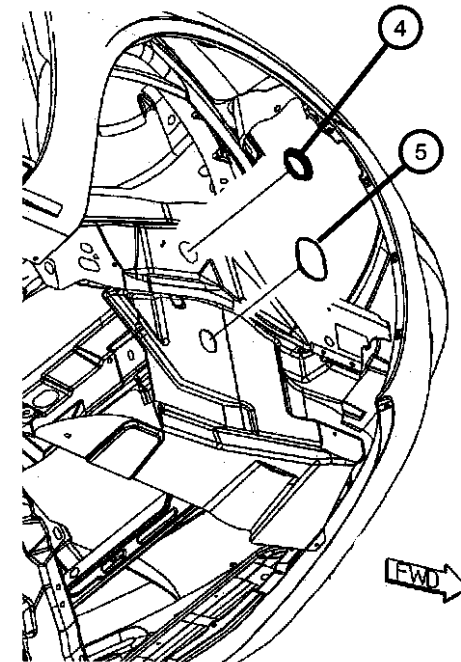
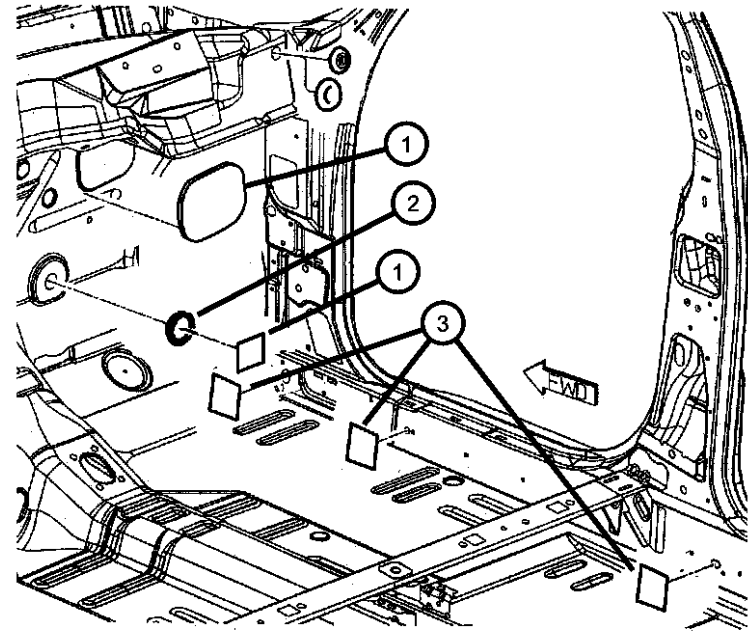
AR = use ase required - = Non illustrated part

2001 PT

**Plugs - Body
Figure SPT-320**



| ITEM | PART NUMBER | QTY | LINE | SERIES | BODY | ENGINE | TRANS | TRIM | DESCRIPTION |
|------|-------------|-----|------|--------|------|--------|-------|------|--|
| 1 | 05264670 | 1 | C | | | | | | PLUG, Dash Panel, Dash Drain Hole |
| 2 | 04670088 | 8 | | | | | | | PLUG, Dash Panel, 35mm Diameter |
| 3 | | | | | | | | | TAPE, Hole Cover, 50x50x1 mm |
| | 04278178 | 6 | | | | | | | Body Side Sill Inner Panel |
| | | 2 | | | | | | | Rear Rail Slot Cover |
| 4 | 06029057 | 2 | | | | | | | PLUG, Body, 1.655 Diameter, Rail Reinforcement Engine Mounting |
| 5 | | | | | | | | | PLUG, Door Latch |
| | 55002368 | 2 | | | | | | | Rear |
| | | 2 | | | | | | | Front |
| 6 | | 2 | | | | | | | TAPE, (NOT SERVICED) |
| 7 | | 2 | | | | | | | PATCH, Dash Evaporator Hole, (NOT SERVICED) |
| 8 | 04860223 | 2 | | | | | | | PLUG, Shock Tower HoleB Pillar |
| 9 | 06029057 | 2 | | | | | | | PLUG, Body, 1.655 Diameter, Rail Reinforcement |
| 10 | 04440294 | 2 | | | | | | | PLUG, Rear Fascia |



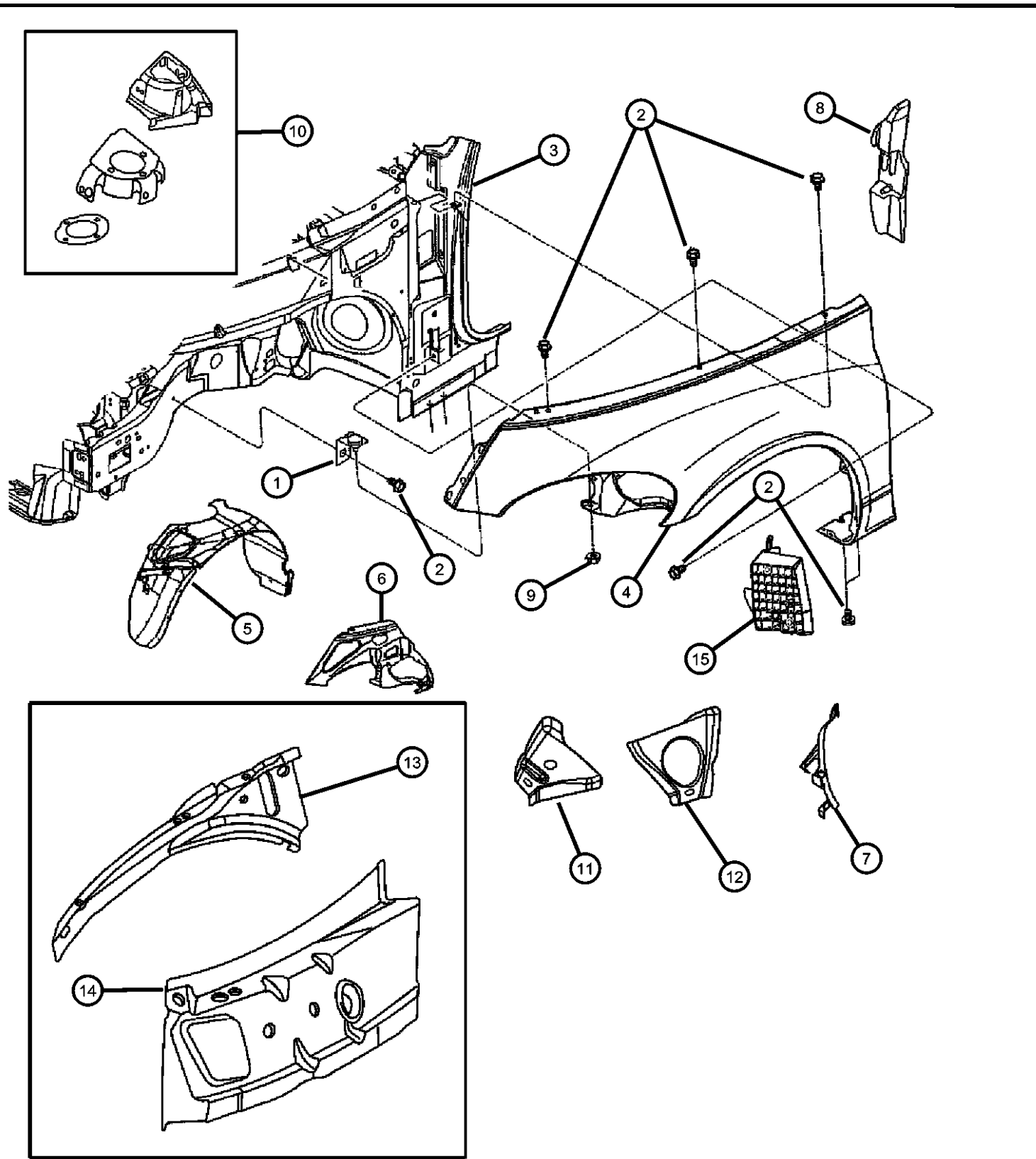
PT CRUISER (PT)

| | | | | |
|--------------|---|----------------|--|--|
| SERIES | LINE | BODY | ENGINE | TRANSMISSION |
| H = HIGHLINE | Z = CHRYSLER (RHD) C = CHRYSLER, LHD | 44 = Four Door | ECC = ENGINE - 2.0L 4 CYL DOHC 16V SMPI EDZ = ENGINE - 2.4L 4 CYL DOHC 16V SMPI | DGL = TRANSMISSION - 4-SPD. AUTOMATIC, 41TE DD5 = TRANSMISSION - 5-SPEED MANUAL DDO = All Manual Transmissions DGO = All Automatics |

AR = use ase required - = Non illustrated part

2001 PT

Fender - Front
Figure SPT-410



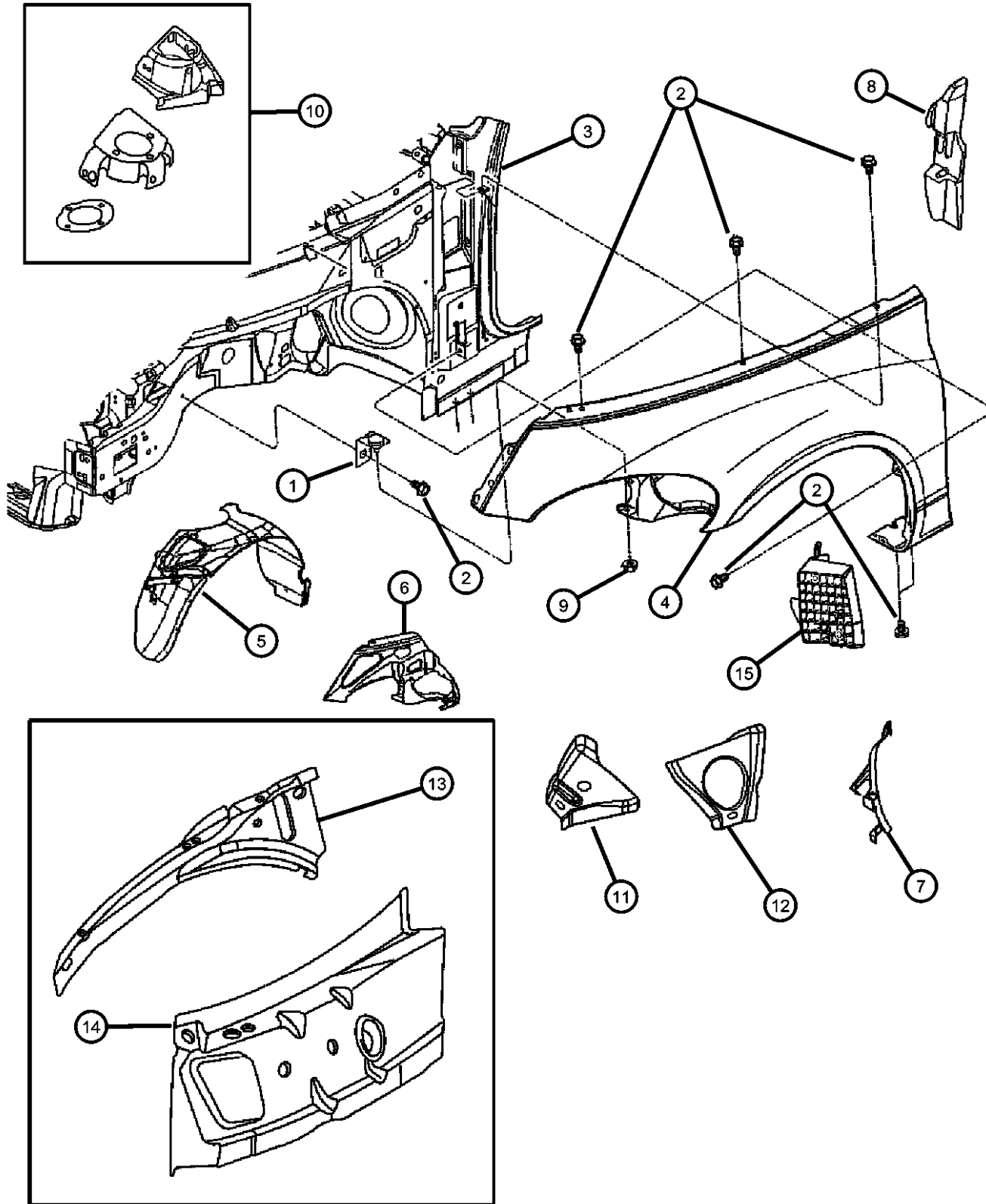
| ITEM | PART NUMBER | QTY | LINE | SERIES | BODY | ENGINE | TRANS | TRIM | DESCRIPTION |
|------|-------------|-----|------|--------|------|--------|-------|------|---|
| 1 | 05027109AB | 2 | | | | | | | SUPPORT, Headlamp |
| 2 | 06100286 | 6 | | | | | | | BOLT AND CONED WASHER, Hex Head, M6x20x20, Fender To Support |
| 3 | 06101712 | 6 | | | | | | | NUT, U, M6x1, Fender To Load Beam |
| 4 | | | | | | | | | FENDER, Front |
| | 05015484AA | 1 | C | | | | | | Domestic, With Antenna Hole, Right |
| | 05015485AA | 1 | C | | | | | | Domestic, Left |
| | 05015486AB | 1 | Z | | | | | | Export (Right Hand Drive -[BUX] With Side Repeater Lamp Hole), Right |
| | 05015487AB | 1 | Z | | | | | | Export, With Antenna Hole, (Right Hand Drive [BUX] - With Side Repeater Lamp Hole), Left |
| | 05073186AA | 1 | C | | | | | | Export - Left Hand Drive, [BUX] (With Side Repeater Lamp Hole and Antenna Hole), Right |
| | 05073187AA | 1 | C | | | | | | Export - Left Hand Drive, [BUX] (With Side Repeater Lamp Hole), Left |
| 5 | | | | | | | | | SHIELD, Wheelhouse |
| | 04724528AA | 1 | | | | | | | Splash and Stone Guard, Right |
| | 04724529AA | 1 | | | | | | | Splash and Stone Guard, Left |
| 6 | | | | | | | | | PANEL, Headlamp Closure |
| | 04724548AA | 1 | | | | | | | Right |
| | 04724549AA | 1 | | | | | | | Left |
| 7 | 04724549AA | 1 | | | | | | | REINFORCEMENT, Serviced With Fender Item 4 Only, (NOT SERVICED) |
| 8 | | | | | | | | | SILENCER, Fender to Hinge Pillar |
| | 05027026AA | 1 | | | | | | | Right |
| | 05027027AA | 1 | | | | | | | Left |
| 9 | 06101447 | 8 | | | | | | | NUT |
| 10 | | | | | | | | | PANEL PACKAGE, Front Strut Mounting |
| | 05016290AA | 1 | | | | | | | Right |
| | 05016291AA | 1 | | | | | | | Left |
| 11 | 04724520AB | 1 | | | | | | | PANEL, Fender Side ShieldRight |
| 12 | 04724521AB | 1 | | | | | | | PANEL, Fender Side ShieldLeft |

PT CRUISER (PT)

| | | | | |
|--------------|---|----------------|--|--|
| SERIES | LINE | BODY | ENGINE | TRANSMISSION |
| H = HIGHLINE | Z = CHRYSLER (RHD) C = CHRYSLER, LHD | 44 = Four Door | ECC = ENGINE - 2.0L 4 CYL DOHC 16V SMPI EDZ = ENGINE - 2.4L 4 CYL DOHC 16V SMPI | DGL = TRANSMISSION - 4-SPD. AUTOMATIC, 41TE DD5 = TRANSMISSION - 5-SPEED MANUAL DDO = All Manual Transmissions DGO = All Automatics |

AR = use ase required - = Non illustrated part

Fender - Front
Figure SPT-410



| ITEM | PART NUMBER | QTY | LINE | SERIES | BODY | ENGINE | TRANS | TRIM | DESCRIPTION |
|------|-------------|-----|------|--------|------|--------|-------|------|--|
| 13 | 04724490AC | 1 | | | | | | | BEAM, Upper Load Path Right |
| | 04724491AC | 1 | | | | | | | Left |
| 14 | 04724492AB | 1 | | | | | | | BEAM, Upper Load Path Right |
| | 04724493AB | 1 | | | | | | | Left |
| 15 | 05027474AC | 1 | | | | | | | EXTENSION, Body Side Aperture Right |
| | 05027475AC | 1 | | | | | | | Left |

PT CRUISER (PT)

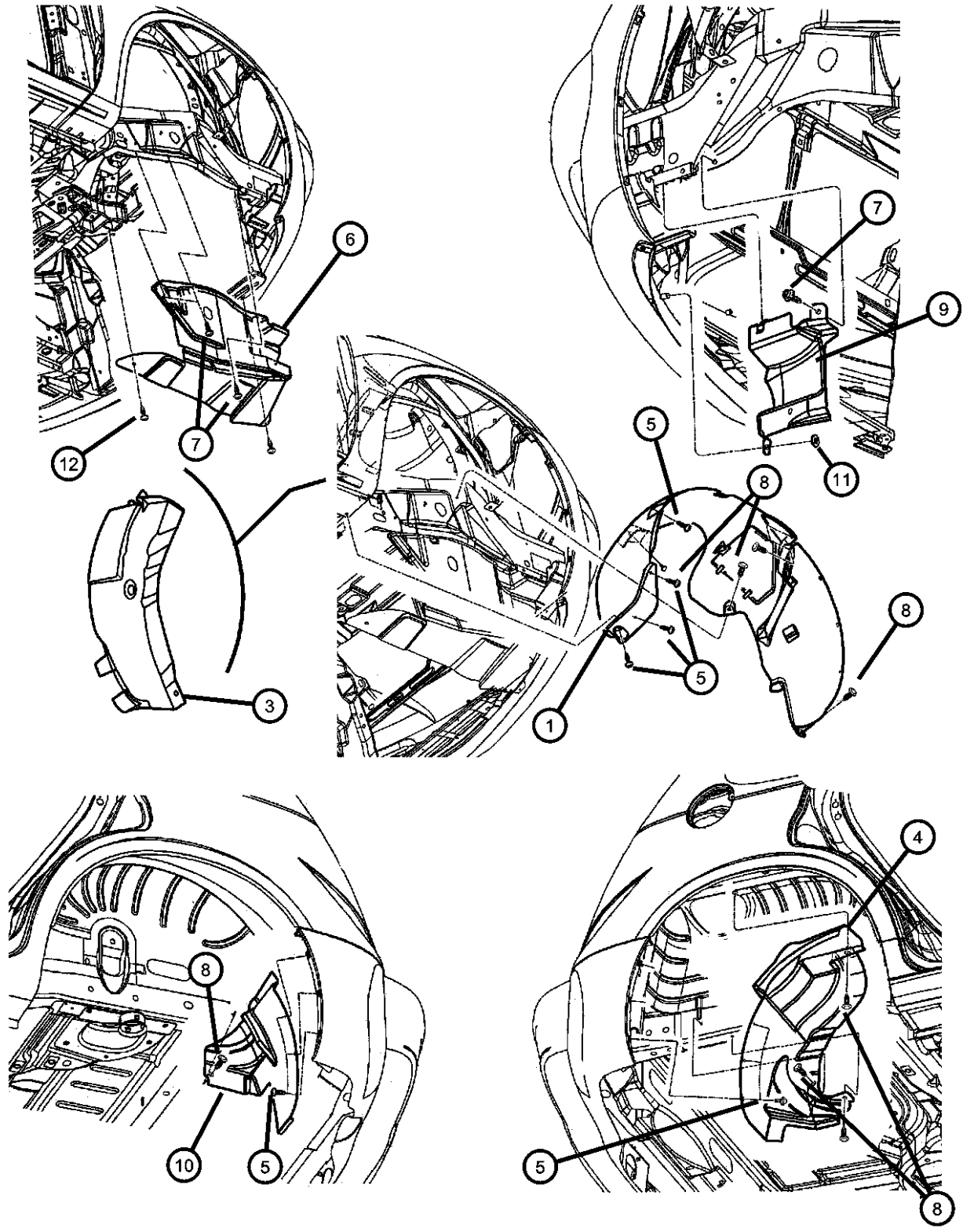
| | | | | |
|--------------|---|----------------|--|--|
| SERIES | LINE | BODY | ENGINE | TRANSMISSION |
| H = HIGHLINE | Z = CHRYSLER (RHD) C = CHRYSLER, LHD | 44 = Four Door | ECC = ENGINE - 2.0L 4 CYL DOHC 16V SMPI EDZ = ENGINE - 2.4L 4 CYL DOHC 16V SMPI | DGL = TRANSMISSION - 4-SPD. AUTOMATIC, 41TE DD5 = TRANSMISSION - 5-SPEED MANUAL DDO = All Manual Transmissions DGO = All Automatics |

AR = use ase required - = Non illustrated part

2001 PT

Shields - Fenders
Figure SPT-420

| ITEM | PART NUMBER | QTY | LINE | SERIES | BODY | ENGINE | TRANS | TRIM | DESCRIPTION |
|------|-------------|-----|------|--------|------|--------|-------|------|--|
| 1 | 04724528AB | 1 | | | | | | | SHIELD, Wheelhouse Front Fender Splash and Stone Guard, Right |
| | 04724529AB | 1 | | | | | | | Front Fender Splash and Stone Guard, Left |
| -2 | 05027930AA | 1 | | | | | | | PANEL, Wheelhouse Front Fender Wheelhouse Splash Access, Right |
| | 05027931AA | 1 | | | | | | | Front Fender Wheelhouse Splash Access, Left |
| 3 | 05027678AA | 1 | | | | | | | SHIELD, Wheelhouse Rear Whlse Inner Splash Front, Right |
| | 05027679AA | 1 | | | | | | | Rear Whlse Inner Splash Front, Left |
| 4 | 04724716AA | 1 | | | | | | | SHIELD, SplashRight, Rear Wheel/House |
| 5 | 06505635AA | 8 | | | | | | | NUT, U Multi Thread, M4.2x1.41, Frt Fndr Sp & Ston |
| 6 | 04724804AB | 1 | | | | | | | SHIELD, Accessory DrivePulley Splash Shield |
| 7 | 06102132AA | 2 | | | | | | | SCREW, Hex Head, M6x1x20 Frt Side Rail Outer Air Gas, Left |
| | | 2 | | | | | | | Side Rail Acc Pullet Splash, |
| 8 | 06030441 | 4 | | | | | | | PIN, Retainer |
| 9 | 05027663AC | 1 | | | | | | | SHIELD, Front Side Rail Outer Air, Side Rail Outer Air Gas |
| 10 | 04724717AA | 1 | | | | | | | SHIELD, SplashLeft, Rear Wheel/House |
| 11 | 04724717AA | 1 | | | | | | | NUT, Spring, Push-On (.312 Diameter Stud), (NOT SERVICED) |
| 12 | 06102152AA | 4 | | | | | | | SCREW, Tapping Hex Flange Head, M6.3x1.81x20.00, Acc Pulley Splash Under Attaching |



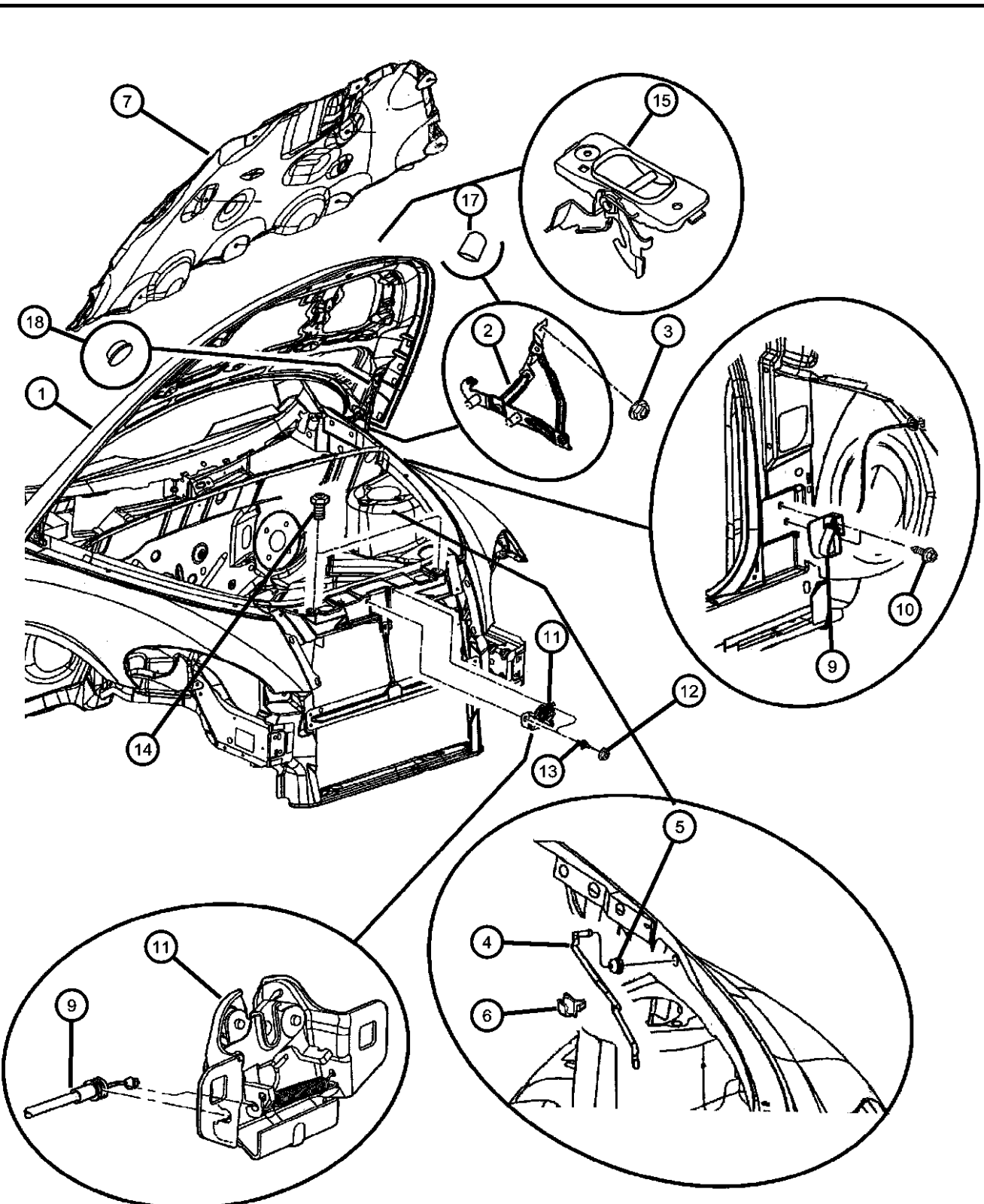
PT CRUISER (PT)

| | | | | |
|--------------|---|----------------|--|--|
| SERIES | LINE | BODY | ENGINE | TRANSMISSION |
| H = HIGHLINE | Z = CHRYSLER (RHD) C = CHRYSLER, LHD | 44 = Four Door | ECC = ENGINE - 2.0L 4 CYL DOHC 16V SMPI EDZ = ENGINE - 2.4L 4 CYL DOHC 16V SMPI | DGL = TRANSMISSION - 4-SPD. AUTOMATIC, 41TE DD5 = TRANSMISSION - 5-SPEED MANUAL DDO = All Manual Transmissions DGO = All Automatics |

AR = use ase required - = Non illustrated part

2001 PT

Hood and Hood Release
Figure SPT-510



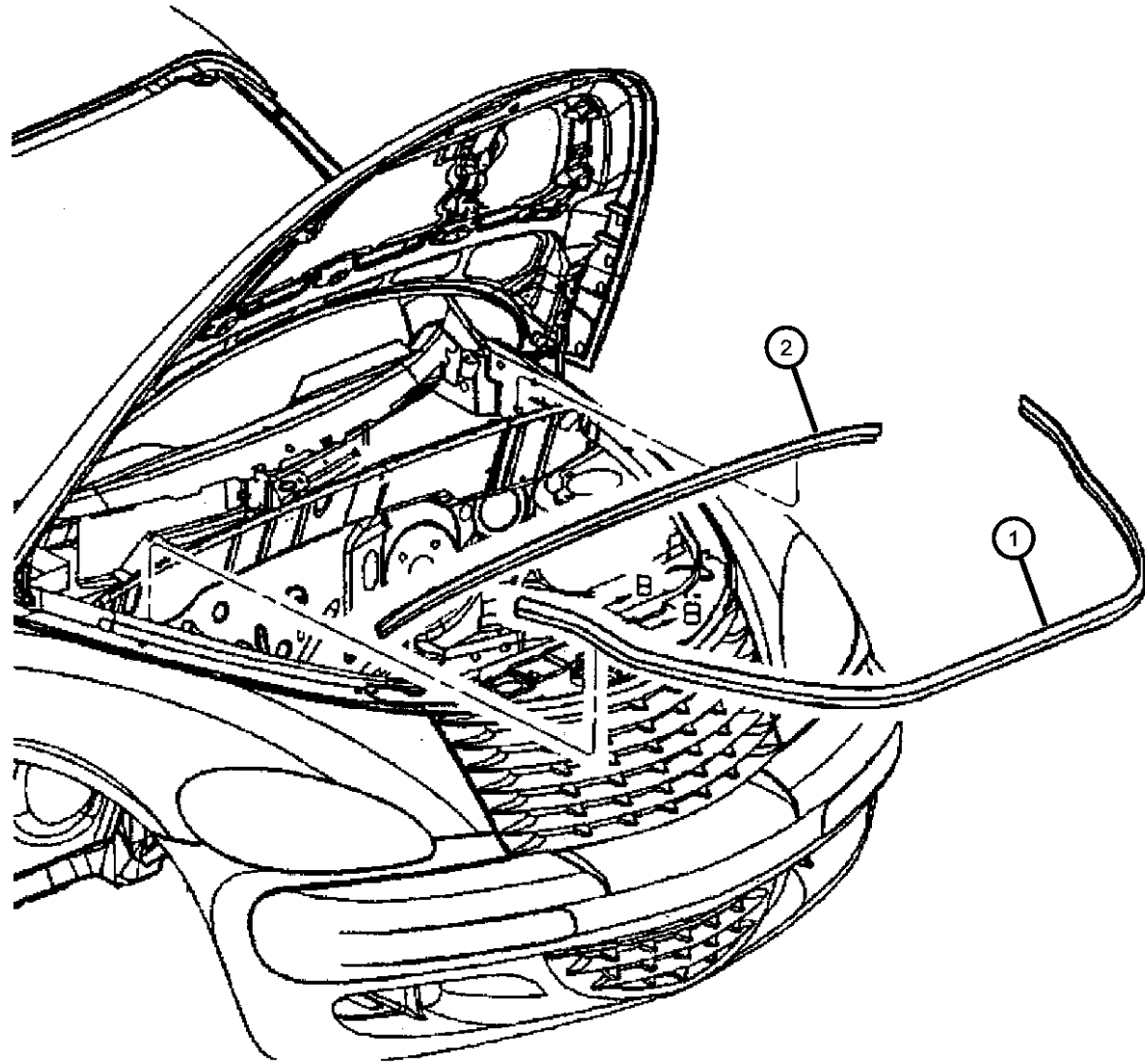
| ITEM | PART NUMBER | QTY | LINE | SERIES | BODY | ENGINE | TRANS | TRIM | DESCRIPTION |
|------|-------------|-----|------|--------|------|--------|-------|------|---|
| 1 | 05015482AA | 1 | | | | | | | HOOD |
| 2 | 04724540AA | 1 | | | | | | | HINGE, Hood Right |
| | 04724541AA | 1 | | | | | | | Left |
| 3 | 06101445 | 4 | | | | | | | NUT AND WASHER, Hex Nut-Coned Washer, M8 x 1.25, Hood Hinge to Hood Inner PROP, Hood |
| 4 | 05027521AB | 1 | | | | | | | BUSHING, Hood Prop Rod Pivot |
| 5 | 05027549AA | 1 | | | | | | | BUSHING, Hood Prop Rod Pivot |
| 6 | 05027550AA | 1 | | | | | | | CLIP, Prop Rod, Prop Rod Retaining |
| 7 | 04724800AA | 1 | | | | | | | SILENCER, Hood |
| -8 | 04878883AA | 11 | | | | | | | PIN, Push, Hood Silencer to Hood Inner Panel Att |
| 9 | | | | | | | | | RELEASE, Hood Latch |
| | 04725000AA | 1 | | | C | | | | |
| | 05257877AA | 1 | | | Z | | | | |
| 10 | 06102059AA | 2 | | | | | | | SCREW |
| 11 | 55255451AB | 1 | | | | | | | LATCH, Hood |
| 12 | 06100048 | 1 | | | | | | | NUT, Hex, M6x1.00 |
| 13 | 06506702AA | 2 | | | | | | | STUD, Double Ended |
| 14 | 04696592 | 2 | | | | | | | BUMPER, Hood |
| 15 | 55257390AA | 1 | | | | | | | STRIKER, Hood Latch |
| -16 | 06101455 | 2 | | | | | | | SCREW AND WASHER, Hex Head, M6x1x20, Hood Striker |
| 17 | 0UA11XXXAA | 2 | | | | | | | SLEEVE |
| 18 | 05027908AA | 1 | | | | | | | PLUG, Hood |

PT CRUISER (PT)
 SERIES LINE BODY ENGINE TRANSMISSION
 H = HIGHLINE Z = CHRYSLER (RHD) 44 = Four Door ECC = ENGINE - 2.0L 4 CYL DOHC 16V SMPI DGL = TRANSMISSION - 4-SPD. AUTOMATIC, 41TE
 EDZ = ENGINE - 2.4L 4 CYL DOHC 16V SMPI DD5 = TRANSMISSION - 5-SPEED MANUAL
 DDO = All Manual Transmissions
 DGO = All Automatics

AR = use ase required - = Non illustrated part

**Seals and Weather Strips (Hood)
Figure SPT-520**

| ITEM | PART NUMBER | QTY | LINE | SERIES | BODY | ENGINE | TRANS | TRIM | DESCRIPTION |
|------|-------------|-----|------|--------|------|--------|-------|------|---------------------------------------|
| 1 | 04724930AB | 1 | | | | | | | WEATHERSTRIP, Hood to Radiator |
| 2 | 04724755AA | 1 | | | | | | | SEAL, Cowl Screen to Hood Inner Panel |



PT CRUISER (PT)

SERIES LINE
H = HIGHLINE Z = CHRYSLER (RHD)
 C = CHRYSLER, LHD

BODY
44 = Four Door

ENGINE
ECC = ENGINE - 2.0L 4 CYL DOHC 16V SMPI
EDZ = ENGINE - 2.4L 4 CYL DOHC 16V SMPI

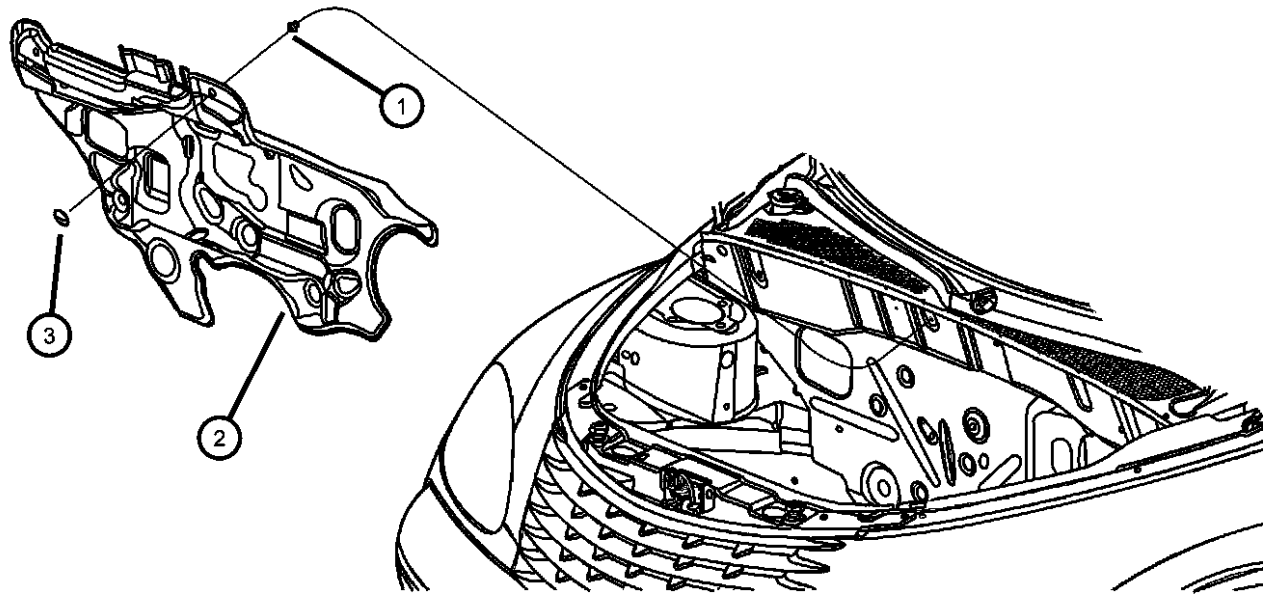
TRANSMISSION
DGL = TRANSMISSION - 4-SPD. AUTOMATIC, 41TE
DD5 = TRANSMISSION - 5-SPEED MANUAL
DDO = All Manual Transmissions
DGO = All Automatics

AR = use ase required - = Non illustrated part

2001 PT

**Silencer Dash
Figure SPT-530**

| ITEM | PART NUMBER | QTY | LINE | SERIES | BODY | ENGINE | TRANS | TRIM | DESCRIPTION |
|------|-------------|-----|------|--------|------|--------|-------|------|---|
| 1 | 04759514AB | 3 | C | | | | | | GROMMET |
| | | 1 | Z | | | | | | |
| 2 | 05027883AB | 1 | C | | | | | | SILENCER, Dash Panel-Engine Compartment |
| | 05027884AA | 1 | Z | | | | | | |
| 3 | 06031321 | 1 | | | | | | | PIN, Retainer |



PT CRUISER (PT)

SERIES

LINE

BODY

ENGINE

TRANSMISSION

H = HIGHLINE

Z = CHRYSLER (RHD)

44 = Four Door

ECC = ENGINE - 2.0L 4 CYL

DGL = TRANSMISSION - 4-SPD.

DOHC 16V SMPI

AUTOMATIC, 41TE

EDZ = ENGINE - 2.4L 4 CYL

DD5 = TRANSMISSION - 5-SPEED

DOHC 16V SMPI

MANUAL

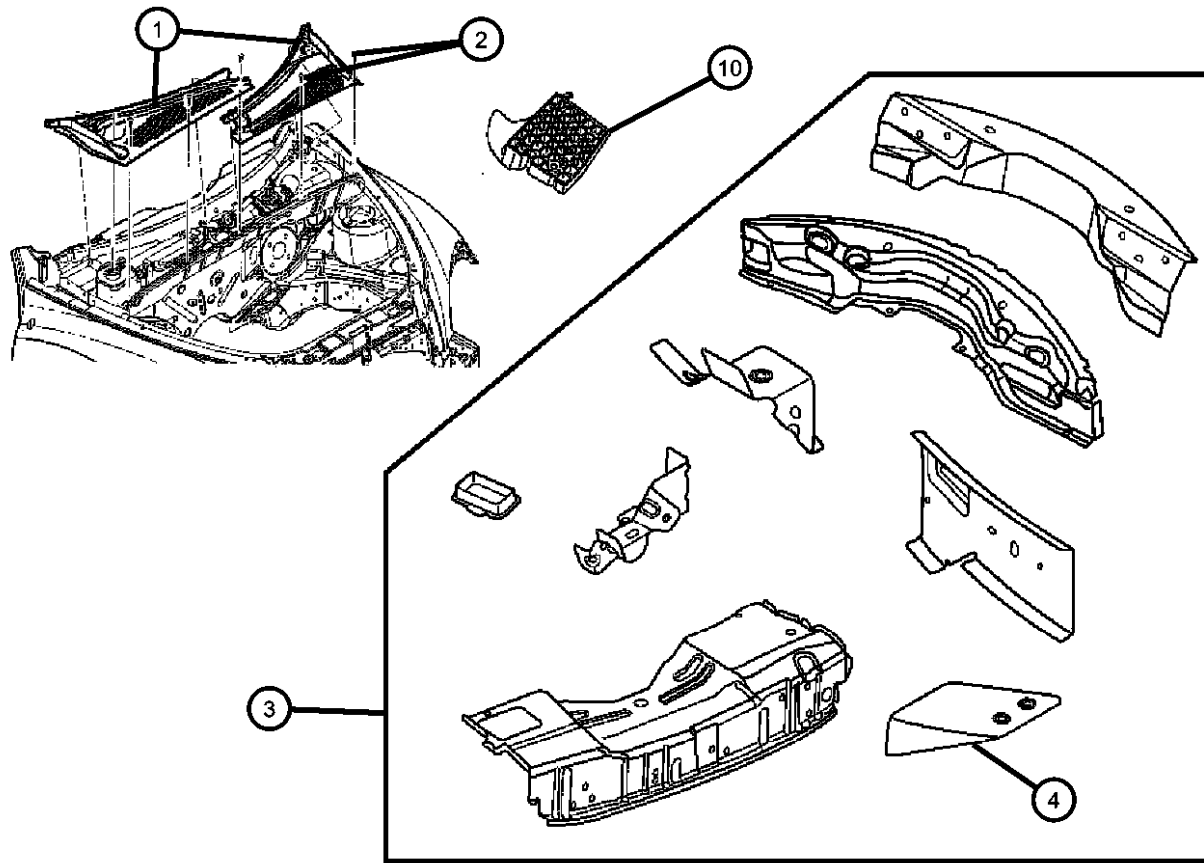
DDO = All Manual Transmissions

DGO = All Automatics

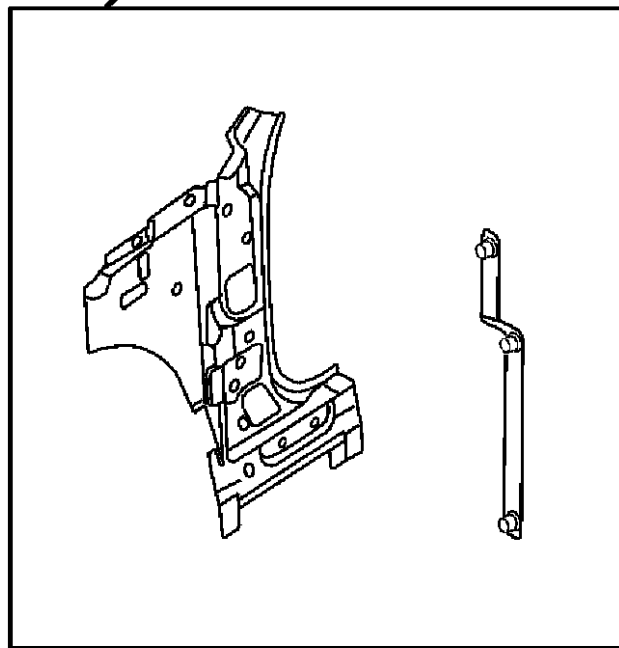
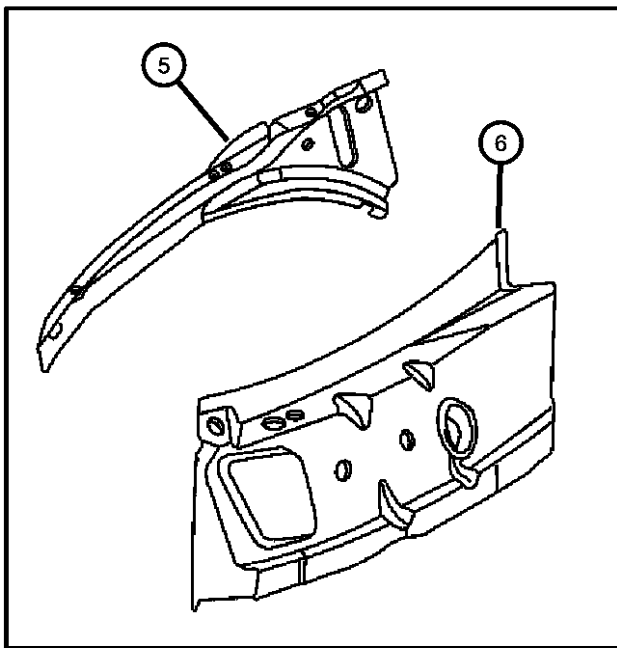
AR = use ase required - = Non illustrated part

2001 PT

**Cowl Panel and Screen
Figure SPT-610**



| ITEM | PART NUMBER | QTY | LINE | SERIES | BODY | ENGINE | TRANS | TRIM | DESCRIPTION |
|------|-------------|-----|------|--------|------|--------|-------|------|---|
| 1 | 04724950AA | 1 | Z | | | | | | SCREEN, Cowl Top Right |
| | 04724951AA | 1 | Z | | | | | | Left |
| | 05027430AB | 1 | C | | | | | | Right |
| | 05027431AB | 1 | C | | | | | | Left |
| 2 | 06502573 | 7 | | | | | | | RIVET, M4.9x14.5Cowl Plenum Attaching |
| 3 | 05016795AA | 1 | | | | | | | PANEL, Cowl And Plenum |
| | 05017623AA | 1 | Z | | | | | | |
| 4 | 05027376AA | 1 | Z | | | | | | BRACKET, Cowl Side |
| 5 | 04724490AC | 1 | | | | | | | BEAM, Upper Load Path Right |
| | 04724491AC | 1 | | | | | | | Left |
| 6 | 04724492AB | 1 | | | | | | | BEAM, Upper Load Path Right |
| | 04724493AB | 1 | | | | | | | Left |
| 7 | 05017538AA | 1 | | | | | | | PANEL, Cowl Side Right |
| | 05017539AA | 1 | | | | | | | Left |
| -8 | 04724755AB | 1 | | | | | | | SEAL, Cowl Screen to Hood Inner Panel |
| -9 | 04888812AA | 1 | C | | | | | | PLATE, Accelerator Pedal Attach |
| 10 | 05027474AC | 1 | | | | | | | EXTENSION, Body Side Aperture Panel To Front Hinge Pillar Lower Energy, Right |
| | 05027475AC | 1 | | | | | | | Panel To Front Hinge Pillar Lower Energy, Left |
| | | | | | | | | | |

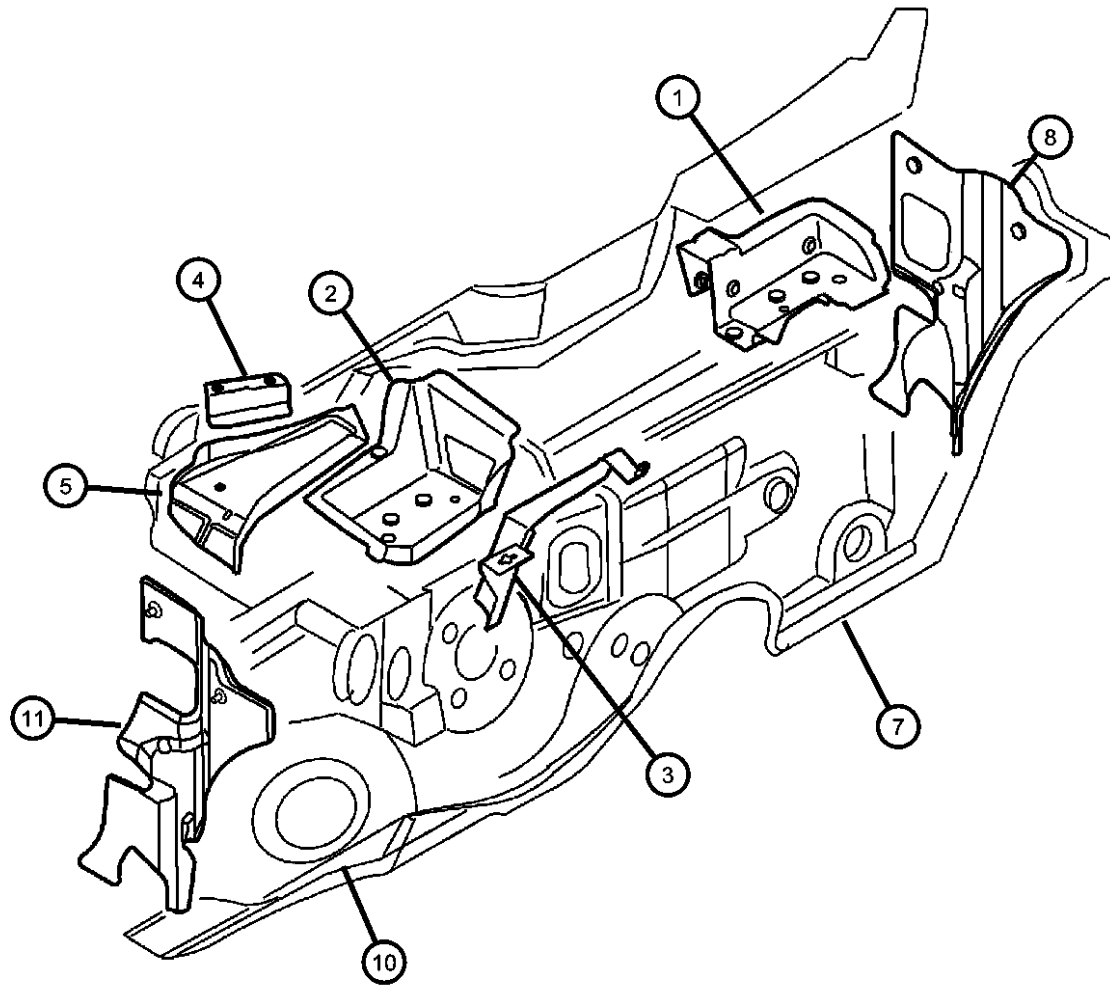


PT CRUISER (PT)

| | | | | |
|--------------|---|----------------|--|--|
| SERIES | LINE | BODY | ENGINE | TRANSMISSION |
| H = HIGHLINE | Z = CHRYSLER (RHD) C = CHRYSLER, LHD | 44 = Four Door | ECC = ENGINE - 2.0L 4 CYL DOHC 16V SMPI EDZ = ENGINE - 2.4L 4 CYL DOHC 16V SMPI | DGL = TRANSMISSION - 4-SPD. AUTOMATIC, 41TE DD5 = TRANSMISSION - 5-SPEED MANUAL DDO = All Manual Transmissions DGO = All Automatics |

AR = use ase required - = Non illustrated part

**Cowl Panel - Attaching Parts
Figure SPT-620**



| ITEM | PART NUMBER | QTY | LINE | SERIES | BODY | ENGINE | TRANS | TRIM | DESCRIPTION |
|------|-------------|-----|------|--------|------|--------|-------|------|---|
| 1 | 04724854AA | 1 | Z | | | | | | BRACKET, Cowl Plenum |
| 2 | 04724502AA | 1 | C | | | | | | BRACKET, Cowl Plenum |
| 3 | 04724999AB | 1 | | | | | | | BRACKET, Cowl Plenum |
| 4 | 05027053AA | 1 | | | | | | | BRACKET, Cowl |
| 5 | | | | | | | | | WATERSHIELD, Cowl Plenum |
| | 05027588AA | 1 | Z | | | | | | |
| | 05027589AA | 1 | C | | | | | | |
| -6 | 04580779AA | 1 | | | | | | | PUSH PIN, Top Reinforcement Water Shield Attaching |
| 7 | | | | | | | | | SILENCER, Plenum And Dash Panel |
| | 04724797AA | 1 | C | | | | | | |
| | 04724982AA | 1 | Z | | | | | | |
| 8 | | | | | | | | | SILENCER, Cowl Side |
| | 05027202AA | 1 | C | | | | | | Right |
| | 05027971AA | 1 | C | | | | | | Left |
| -9 | 03445939 | 2 | | | | | | | PLUG, Drain, Drain Hose Cowl Top, Right & Left |
| 10 | 05027890AA | 1 | | | | | | | SILENCER, Cowl Plenum Panel |
| 11 | 05027593AA | 1 | Z | | | | | | SILENCER, Cowl Side |

PT CRUISER (PT)

| | | | | |
|--------------|---|----------------|--|--|
| SERIES | LINE | BODY | ENGINE | TRANSMISSION |
| H = HIGHLINE | Z = CHRYSLER (RHD) C = CHRYSLER, LHD | 44 = Four Door | ECC = ENGINE - 2.0L 4 CYL DOHC 16V SMPI EDZ = ENGINE - 2.4L 4 CYL DOHC 16V SMPI | DGL = TRANSMISSION - 4-SPD. AUTOMATIC, 41TE DD5 = TRANSMISSION - 5-SPEED MANUAL DDO = All Manual Transmissions DGO = All Automatics |

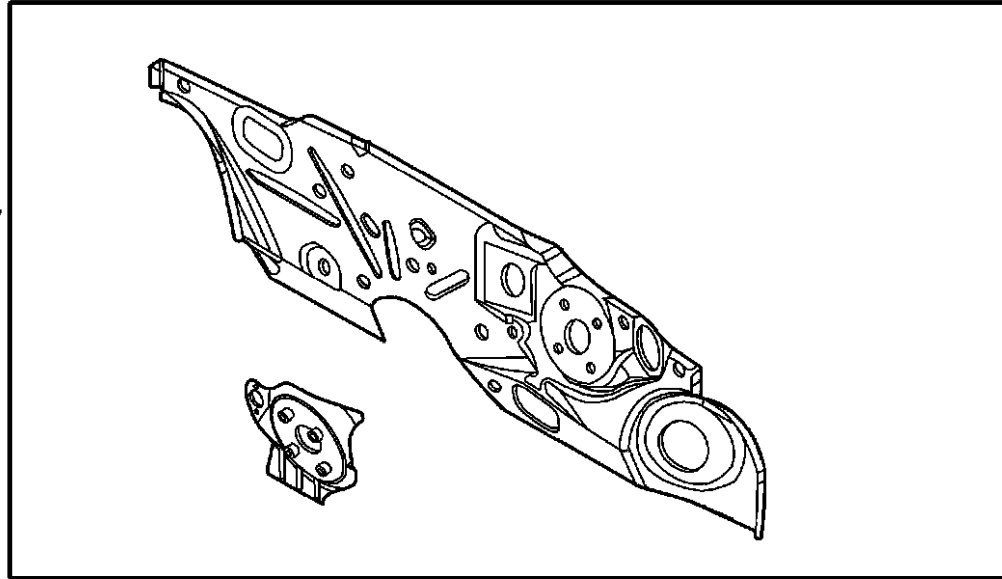
AR = use ase required - = Non illustrated part

2001 PT

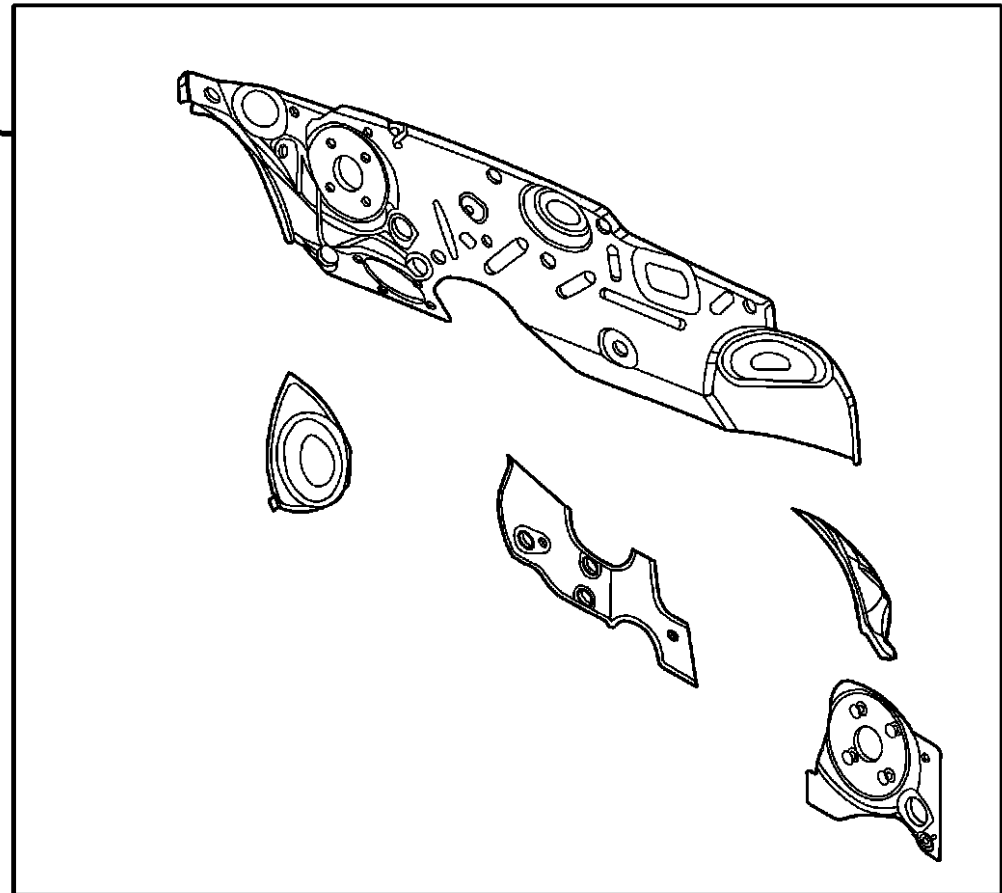
Panel Dash
Figure SPT-630

| ITEM | PART NUMBER | QTY | LINE | SERIES | BODY | ENGINE | TRANS | TRIM | DESCRIPTION |
|------|-------------|-----|------|--------|------|--------|-------|------|--------------------|
| 1 | 05017558AA | 1 | C | | | | | | PANEL, Dash, [LHD] |
| 2 | 05027153AA | 1 | Z | | | | | | PANEL, Dash, [RHD] |

1



2



PT CRUISER (PT)

SERIES LINE
H = HIGHLINE Z = CHRYSLER (RHD)
C = CHRYSLER, LHD

BODY
44 = Four Door

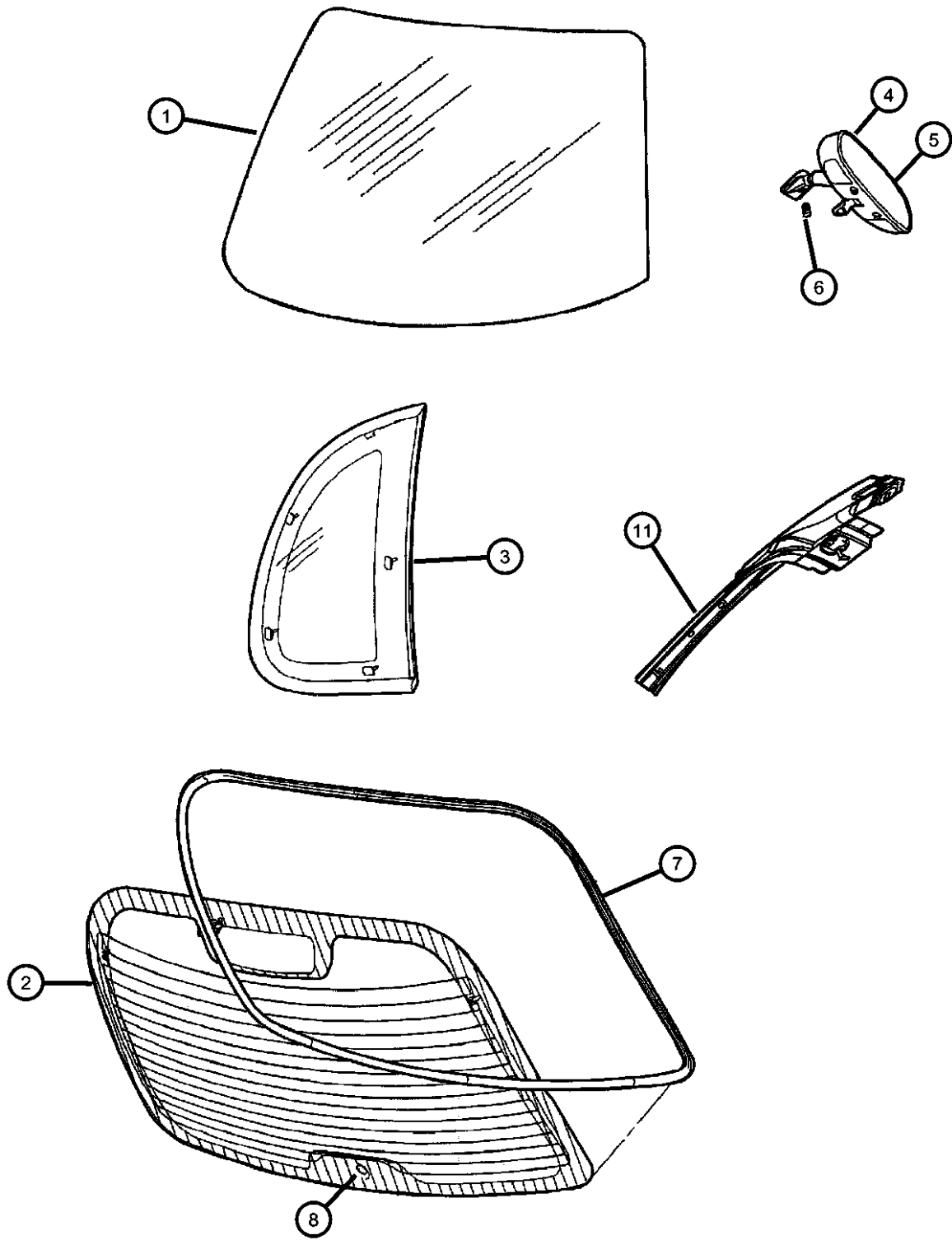
ENGINE TRANSMISSION
ECC = ENGINE - 2.0L 4 CYL DOHC 16V SMPI DGL = TRANSMISSION - 4-SPD. AUTOMATIC,41TE
EDZ = ENGINE - 2.4L 4 CYL DOHC 16V SMPI DD5 = TRANSMISSION - 5-SPEED MANUAL
DDO = All Manual Transmissions
DGO = All Automatics

AR = use ase required - = Non illustrated part

2001 PT

**Windshield. Backlite and Mirror
Figure SPT-710**

| ITEM | PART NUMBER | QTY | LINE | SERIES | BODY | ENGINE | TRANS | TRIM | DESCRIPTION |
|------|-------------|-----|------|--------|------|--------|-------|------|--|
| 1 | 05016699AD | 1 | | | | | | | WINDSHIELD, Shipping Assembly - 10 Lite Glass |
| 2 | | | | | | | | | BACKLITE |
| | 04724740AC | 1 | | | | | | | Solar Tint |
| | 05257957AD | 1 | | | | | | | Deep Tint Sunscreen |
| 3 | | | | | | | | | GLASS, Quarter Window |
| | 04724702AB | 1 | | | | | | | Solar Tint, Right |
| | 04724703AB | 1 | | | | | | | Solar Tint, Left |
| | 05257960AC | 1 | | | | | | | Privacy, Right |
| | 05257961AC | 1 | | | | | | | Privacy, Left |
| 4 | 04805332AB | 1 | | | | | | | MIRROR, Inside Rear View, Rear View Prismatic |
| 5 | 05027213AA | 1 | | | | | | | MIRROR, Inside Rear View, Lighted, With Reading Lamp |
| 6 | 05027213AA | 1 | | | | | | | SCREW, Purchased in Assembly, Serviced in Item 4, (NOT REQUIRED) |
| 7 | 05288807AA | 1 | | | | | | | MOLDING, Liftgate Glass |
| 8 | 05027551AA | 1 | | | | | | | GROMMET, Wiper Motor And Bracket |
| -9 | 05303442AB | 1 | | | | | | | NOZZLE, Liftgate Washer |
| -10 | 55154587 | 1 | | | | | | | NUT, Nozzle Mounting |
| 11 | | | | | | | | | FRAME, Windshield Side |
| | 04724604AA | 1 | | | | | | | Right |
| | 04724605AA | 1 | | | | | | | Left |



PT CRUISER (PT)

SERIES LINE
H = HIGHLINE Z = CHRYSLER (RHD)
 C = CHRYSLER, LHD

BODY
44 = Four Door

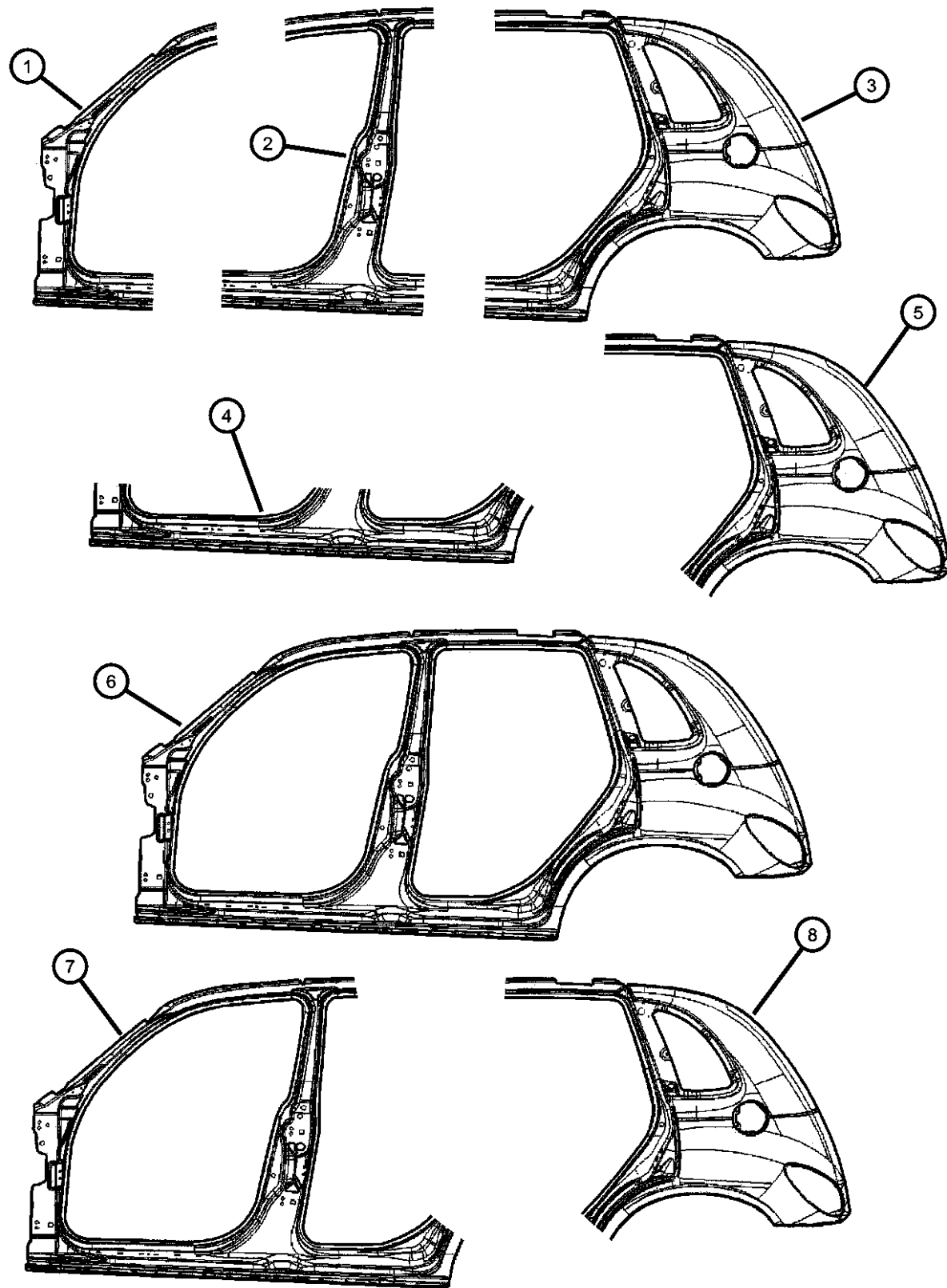
ENGINE
ECC = ENGINE - 2.0L 4 CYL DOHC 16V SMPI
EDZ = ENGINE - 2.4L 4 CYL DOHC 16V SMPI

TRANSMISSION
DGL = TRANSMISSION - 4-SPD. AUTOMATIC, 41TE
DD5 = TRANSMISSION - 5-SPEED MANUAL
DDO = All Manual Transmissions
DGO = All Automatics

AR = use ase required - = Non illustrated part

2001 PT

**Aperture Panels (Use Up To 2-1-2001)
Figure SPT-805**



| ITEM | PART NUMBER | QTY | LINE | SERIES | BODY | ENGINE | TRANS | TRIM | DESCRIPTION |
|------|-------------|-----|------|--------|------|--------|-------|------|---|
| 1 | 05016524AD | 1 | | | | | | | PANEL PACKAGE, Body Side Aperture Front (Use Up To 2-1-2001), Right |
| | 05016525AD | 1 | | | | | | | (Use Up To 2-1-2001), Left |
| 2 | 05016526AD | 1 | | | | | | | PANEL PACKAGE, Body Side Aperture Center (Use Up To 2-1-2001), Right |
| | 05016527AD | 1 | | | | | | | (Use Up To 2-1-2001), Left |
| 3 | 05016528AD | 1 | | | | | | | PANEL PACKAGE, Body Side Aperture Rear (Use Up To 2-1-2001), Right |
| | 05016529AD | 1 | | | | | | | (Use Up To 2-1-2001), Left |
| 4 | 05016530AD | 1 | | | | | | | PANEL PACKAGE, Body Side Sill (Use Up To 2-1-2001), Right |
| | 05016531AD | 1 | | | | | | | (Use Up To 2-1-2001), Left |
| 5 | 05016532AD | 1 | | | | | | | PANEL PACKAGE, Body Side Aperture Rear (Use Up To 2-1-2001), Right |
| | 05016533AD | 1 | | | | | | | (Use Up To 2-1-2001), Left |
| 6 | 04724610AA | 1 | | | | | | | PANEL, Body Side Aperture Complete Outer Skin, (Use Up To 2-1-2001), Right |
| | 04724611AA | 1 | | | | | | | Complete Outer Skin, (Use Up To 2-1-2001), Left |
| 7 | 05066214AA | 1 | | | | | | | PANEL PACKAGE, Body Side Aperture Front Outer Skin Only, (Use Up To 2-1-2001), Right, Front |
| | 05066215AA | 1 | | | | | | | Outer Skin Only, (Use Up To 2-1-2001), Left, Front |
| 8 | 05019222AA | 1 | | | | | | | PANEL PACKAGE, Body Side Aperture Rear Outer Skin Only, (Use Up To 2-1-2001), Right, Rear |
| | 05019223AA | 1 | | | | | | | Outer Skin Only, (Use Up To 2-1-2001), Left, Rear |

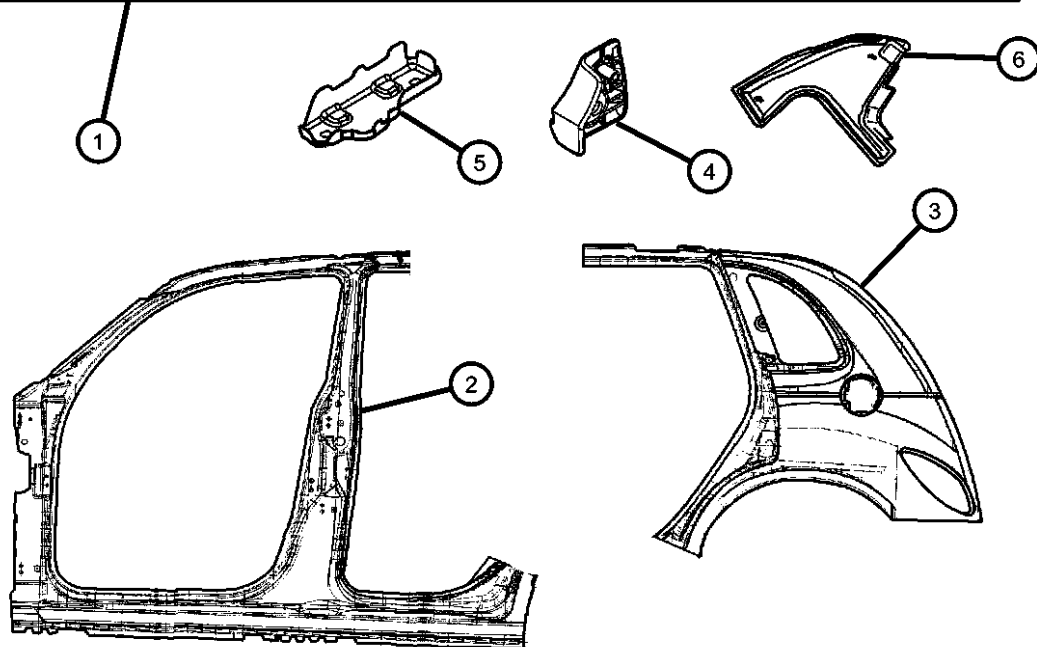
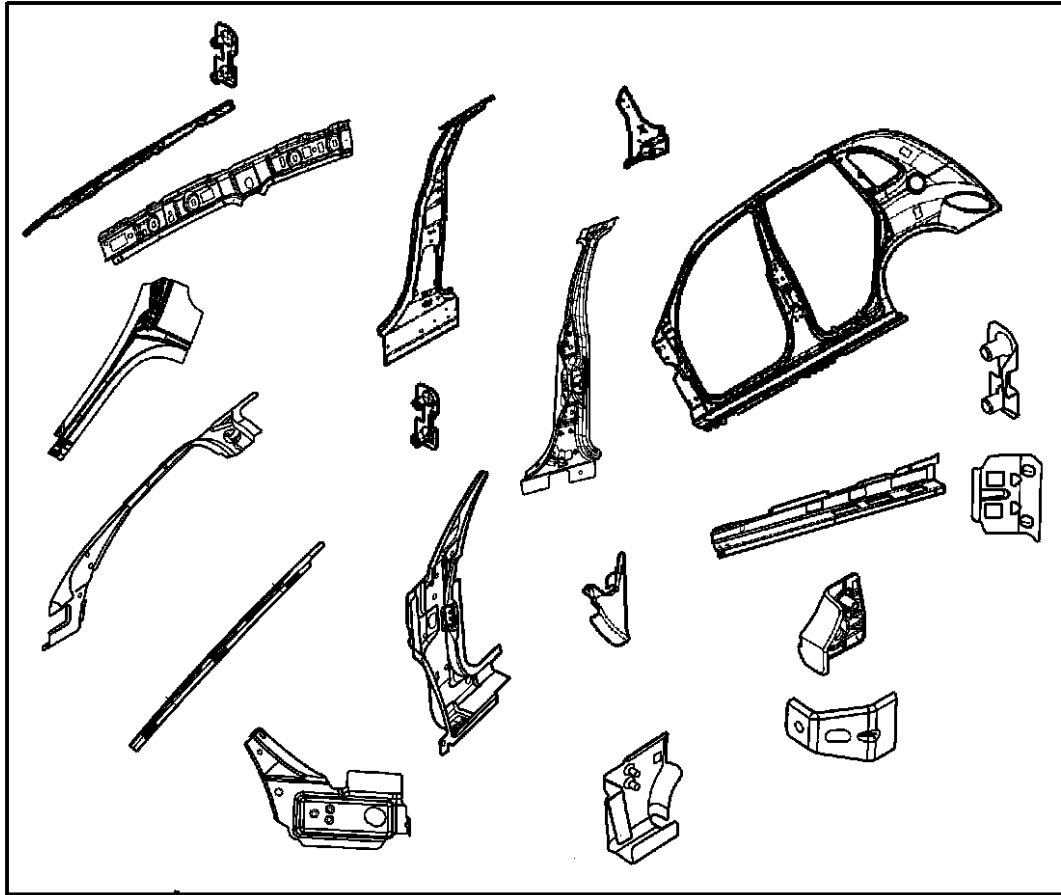
PT CRUISER (PT)

| | | | | |
|--------------|---|----------------|--|--|
| SERIES | LINE | BODY | ENGINE | TRANSMISSION |
| H = HIGHLINE | Z = CHRYSLER (RHD) C = CHRYSLER, LHD | 44 = Four Door | ECC = ENGINE - 2.0L 4 CYL DOHC 16V SMPI EDZ = ENGINE - 2.4L 4 CYL DOHC 16V SMPI | DGL = TRANSMISSION - 4-SPD. AUTOMATIC, 41TE DD5 = TRANSMISSION - 5-SPEED MANUAL DDO = All Manual Transmissions DGO = All Automatics |

AR = use ase required - = Non illustrated part

Aperture Panels (Use After 2-1-2001)
Figure SPT-810

| ITEM | PART NUMBER | QTY | LINE | SERIES | BODY | ENGINE | TRANS | TRIM | DESCRIPTION |
|------|-------------|-----|------|--------|------|--------|-------|------|---|
| 1 | 05071520AA | 1 | | | | | | | PANEL ASSEMBLY, Body Side Aperture Complete (Use After 2-1-2001), Right |
| | 05071521AA | 1 | | | | | | | (Use After 2-1-2001), Left |
| 2 | 05066398AA | 1 | | | | | | | PANEL PACKAGE, Body Side Aperture Front (Use After 2-1-2001), Right |
| | 05066399AA | 1 | | | | | | | (Use After 2-1-2001), Left |
| 3 | 05066400AA | 1 | | | | | | | PANEL PACKAGE, Body Side Aperture Rear (Use After 2-1-2001), Right |
| | 05066401AA | 1 | | | | | | | (Use After 2-1-2001), Left |
| 4 | 05027116AB | 1 | | | | | | | RETAINER, B Pillar Upper Door Impact Beam Right |
| | 05027117AB | 1 | | | | | | | Left |
| 5 | 05027478AA | 1 | | | | | | | REINFORCEMENT, Front Hinge Pillar Right |
| | 05027479AA | 1 | | | | | | | Left |
| 6 | 05027098AB | 1 | | | | | | | BAFFLE, Trough Right |
| | 05027099AB | 1 | | | | | | | Left |



PT CRUISER (PT)

SERIES

H = HIGHLINE

LINE

Z = CHRYSLER (RHD)
C = CHRYSLER, LHD

BODY

44 = Four Door

ENGINE

ECC = ENGINE - 2.0L 4 CYL DOHC 16V SMPI
EDZ = ENGINE - 2.4L 4 CYL DOHC 16V SMPI

TRANSMISSION

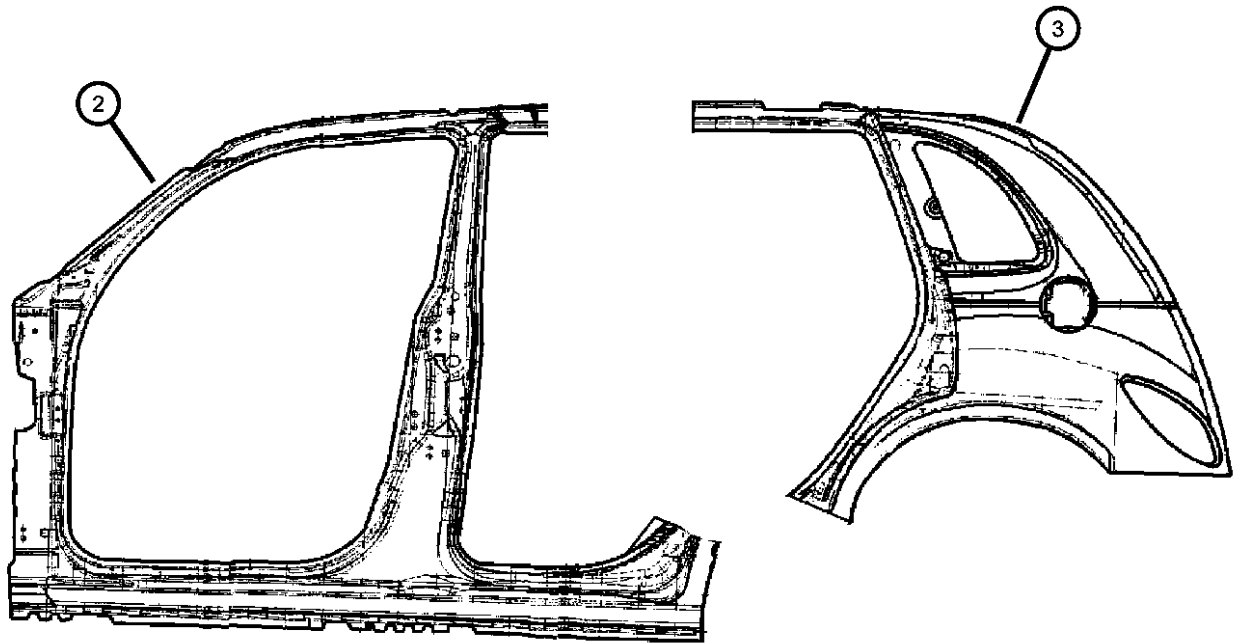
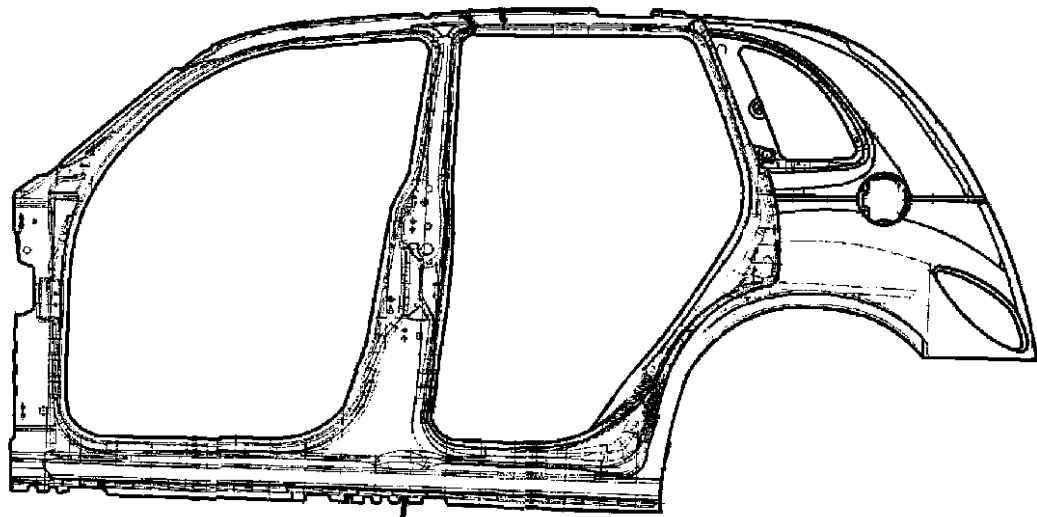
DGL = TRANSMISSION - 4-SPD. AUTOMATIC, 41TE
DD5 = TRANSMISSION - 5-SPEED MANUAL
DDO = All Manual Transmissions
DGO = All Automatics

AR = use ase required - = Non illustrated part

2001 PT

**Aperature Panels (Use After 2-1-2001) Skin Only
Figure SPT-815**

| ITEM | PART NUMBER | QTY | LINE | SERIES | BODY | ENGINE | TRANS | TRIM | DESCRIPTION |
|------|-------------|-----|------|--------|------|--------|-------|------|--|
| 1 | 04724610AA | 1 | | | | | | | PANEL, Body Side Aperture Complete - Skin Only, Right |
| | 04724611AA | 1 | | | | | | | Complete - Skin Only, Left |
| 2 | 05066214AA | 1 | | | | | | | PANEL PACKAGE, Body Side Aperture Front Skin Only, Right |
| | 05066215AA | 1 | | | | | | | Skin Only, Left |
| 3 | 05019222AA | 1 | | | | | | | PANEL PACKAGE, Body Side Aperture Rear Skin Only, Right |
| | 05019223AA | 1 | | | | | | | Skin Only, Left |



PT CRUISER (PT)

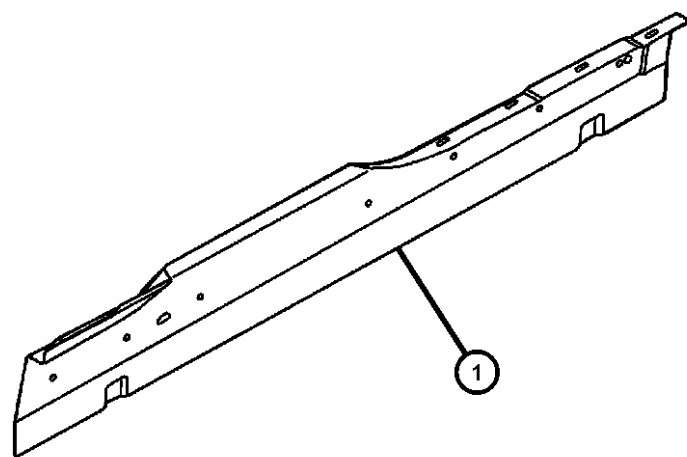
| | | | | |
|--------------|---|----------------|--|--|
| SERIES | LINE | BODY | ENGINE | TRANSMISSION |
| H = HIGHLINE | Z = CHRYSLER (RHD) C = CHRYSLER, LHD | 44 = Four Door | ECC = ENGINE - 2.0L 4 CYL DOHC 16V SMPI EDZ = ENGINE - 2.4L 4 CYL DOHC 16V SMPI | DGL = TRANSMISSION - 4-SPD. AUTOMATIC, 41TE DD5 = TRANSMISSION - 5-SPEED MANUAL DDO = All Manual Transmissions DGO = All Automatics |

AR = use ase required - = Non illustrated part

2001 PT

Panel Body Side Sill - Inner
Figure SPT-820

| ITEM | PART NUMBER | QTY | LINE | SERIES | BODY | ENGINE | TRANS | TRIM | DESCRIPTION |
|------|-------------|-----|------|--------|------|--------|-------|------|-----------------------------|
| 1 | | | | | | | | | PANEL, Body Side Sill Inner |
| | 04724500AB | 1 | | | | | | | Right |
| | 04724501AB | 1 | | | | | | | Left |



PT CRUISER (PT)

SERIES

H = HIGHLINE

LINE

Z = CHRYSLER (RHD)

C = CHRYSLER, LHD

BODY

44 = Four Door

ENGINE

ECC = ENGINE - 2.0L 4 CYL

DOHC 16V SMPI

EDZ = ENGINE - 2.4L 4 CYL

DOHC 16V SMPI

TRANSMISSION

DGL = TRANSMISSION - 4-SPD.

AUTOMATIC,41TE

DD5 = TRANSMISSION - 5-SPEED

MANUAL

DDO = All Manual Transmissions

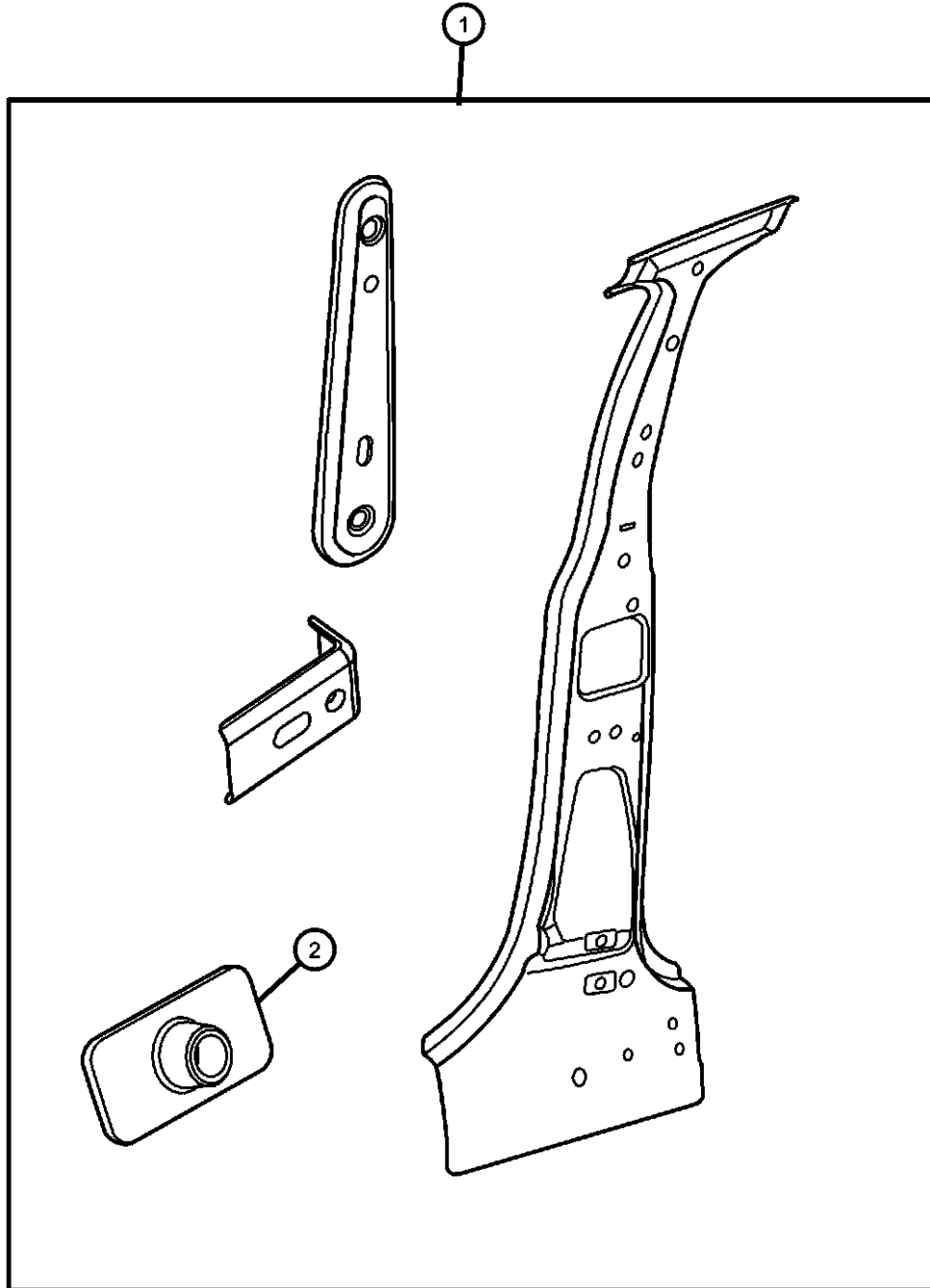
DGO = All Automatics

AR = use ase required - = Non illustrated part

2001 PT

**B - Pillar
Figure SPT-825**

| ITEM | PART NUMBER | QTY | LINE | SERIES | BODY | ENGINE | TRANS | TRIM | DESCRIPTION |
|------|-------------|-----|------|--------|------|--------|-------|------|------------------------------------|
| 1 | 05027034AB | 1 | | | | | | | PANEL, B Pillar Inner Right |
| | 05027035AB | 1 | | | | | | | Left |
| 2 | 06033150 | 1 | | | | | | | NUT PLATE, .25-20, B-Pillar, Inner |



PT CRUISER (PT)

SERIES LINE
H = HIGHLINE Z = CHRYSLER (RHD)
 C = CHRYSLER, LHD

BODY
44 = Four Door

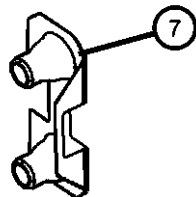
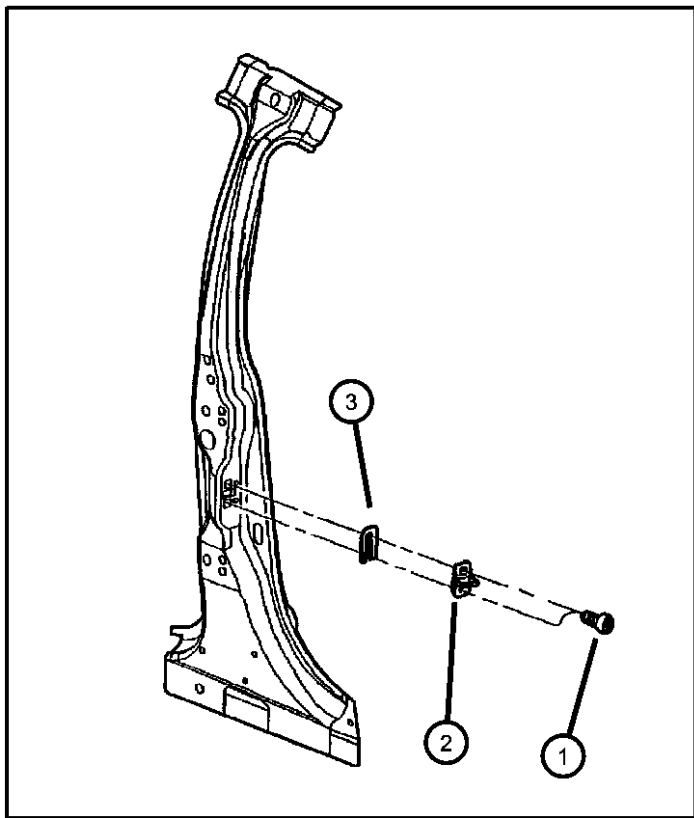
ENGINE
ECC = ENGINE - 2.0L 4 CYL DOHC 16V SMPI
EDZ = ENGINE - 2.4L 4 CYL DOHC 16V SMPI

TRANSMISSION
DGL = TRANSMISSION - 4-SPD. AUTOMATIC, 41TE
DD5 = TRANSMISSION - 5-SPEED MANUAL
DDO = All Manual Transmissions
DGO = All Automatics

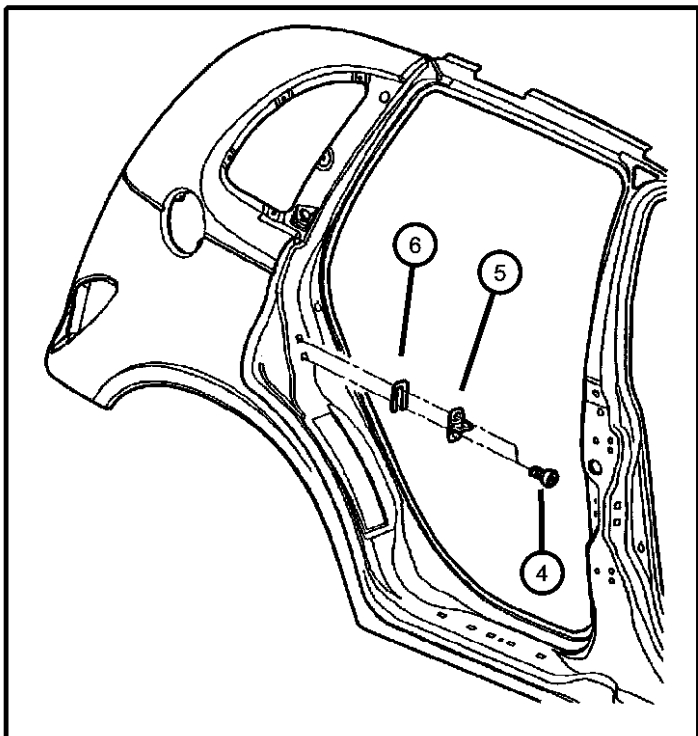
AR = use ase required - = Non illustrated part

2001 PT

**Striker Front and Rear Door
Figure SPT-830**



| ITEM | PART NUMBER | QTY | LINE | SERIES | BODY | ENGINE | TRANS | TRIM | DESCRIPTION |
|------|-------------|-----|------|--------|------|--------|-------|------|---|
| 1 | 06503120 | 8 | | | | | | | SCREW AND WASHER, Button Head Torx, Striker Attaching |
| 2 | 04780259 | 2 | | | | | | | STRIKER, DoorLatch |
| 3 | 04520289 | AR | | | | | | | SPACER, Door Latch StrikerFront |
| 4 | 06503120 | 8 | | | | | | | SCREW AND WASHER, Button Head Torx |
| 5 | 04780259 | 2 | | | | | | | STRIKER, DoorRear |
| 6 | 04520289 | AR | | | | | | | SPACER, Door Latch StrikerRear |
| 7 | 04860301 | 2 | | | | | | | TAPPING PLATE, Striker |



PT CRUISER (PT)

SERIES LINE

H = HIGHLINE Z = CHRYSLER (RHD)
 C = CHRYSLER, LHD

BODY

44 = Four Door

ENGINE

ECC = ENGINE - 2.0L 4 CYL DOHC 16V SMPI
EDZ = ENGINE - 2.4L 4 CYL DOHC 16V SMPI

TRANSMISSION

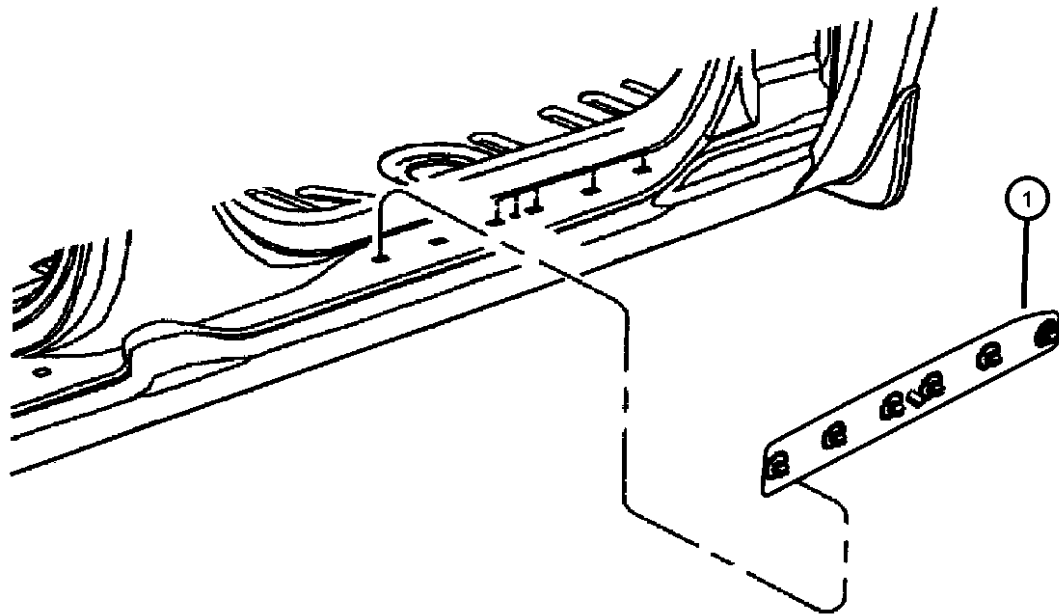
DGL = TRANSMISSION - 4-SPD. AUTOMATIC, 41TE
DD5 = TRANSMISSION - 5-SPEED MANUAL
DDO = All Manual Transmissions
DGO = All Automatics

AR = use ase required - = Non illustrated part

2001 PT

**Sill Cover
Figure SPT-835**

| ITEM | PART NUMBER | QTY | LINE | SERIES | BODY | ENGINE | TRANS | TRIM | DESCRIPTION |
|------|-------------|-----|------|--------|------|--------|-------|------|--------------|
| 1 | | | | | | | | | COVER, Sill |
| | 0SF34DX9AA | 1 | | | | | | | Right, Outer |
| | 0SF35DX9AA | 1 | | | | | | | Left, Outer |



PT CRUISER (PT)

SERIES

LINE

BODY

ENGINE

TRANSMISSION

H = HIGHLINE

Z = CHRYSLER (RHD)

44 = Four Door

ECC = ENGINE - 2.0L 4 CYL

DGL = TRANSMISSION - 4-SPD.

DOHC 16V SMPI

AUTOMATIC, 41TE

EDZ = ENGINE - 2.4L 4 CYL

DD5 = TRANSMISSION - 5-SPEED

DOHC 16V SMPI

MANUAL

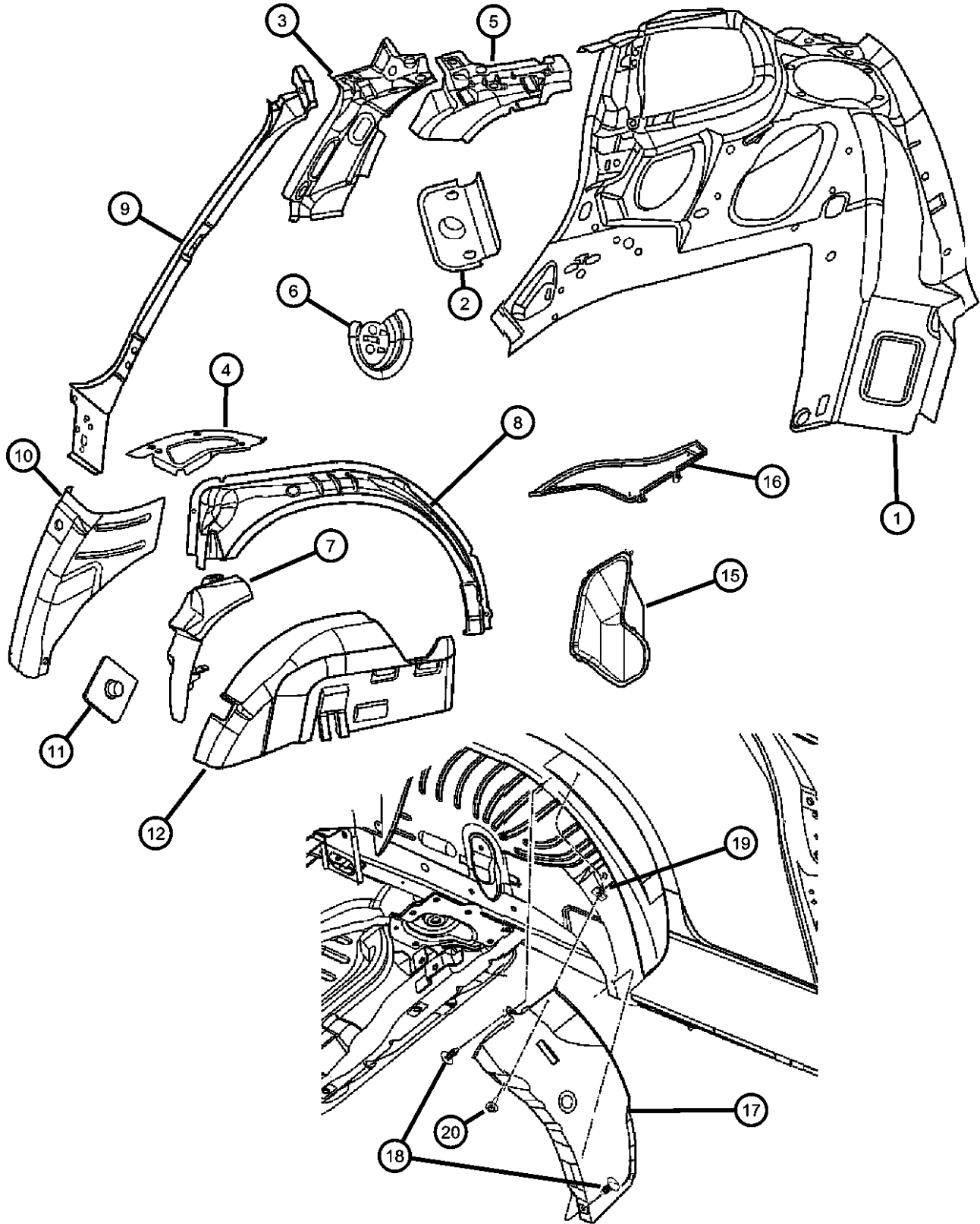
DDO = All Manual Transmissions

DGO = All Automatics

AR = use ase required - = Non illustrated part

2001 PT

**Quarter Panel
Figure SPT-910**



| ITEM | PART NUMBER | QTY | LINE | SERIES | BODY | ENGINE | TRANS | TRIM | DESCRIPTION |
|------|-------------|-----|------|--------|------|--------|-------|------|-------------|
|------|-------------|-----|------|--------|------|--------|-------|------|-------------|

NOTE: Panel Rear Wheelhouse - Please Look In Rear Floor Pan

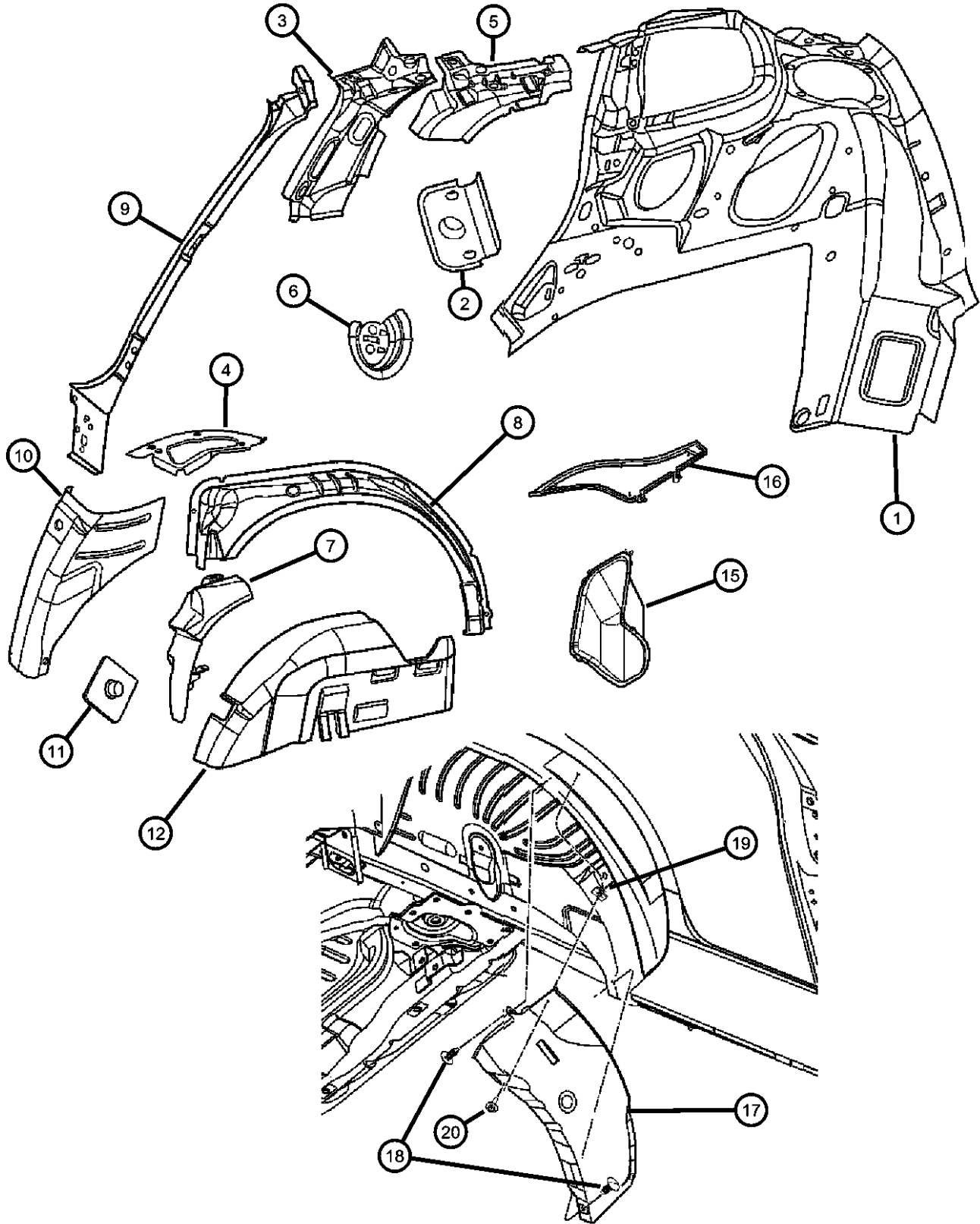
| | | | | | | | | | |
|----|------------|---|--|--|--|--|--|--|--|
| 1 | | | | | | | | | PANEL, Quarter Inner Right |
| | 05017566AA | 1 | | | | | | | Left |
| | 05017567AA | 1 | | | | | | | TAPPING PLATE, Serviced in Panel Assembly, (NOT SERVICED) |
| 2 | 05017567AA | 1 | | | | | | | PANEL, D Pillar |
| 3 | | | | | | | | | Right |
| | 04724692AB | 1 | | | | | | | Left |
| | 04724693AB | 1 | | | | | | | REINFORCEMENT, Quarter Inner |
| 4 | | | | | | | | | Right |
| | 04724706AA | 1 | | | | | | | Left |
| | 04724707AA | 1 | | | | | | | REINFORCEMENT, D Pillar Upper |
| 5 | | | | | | | | | Right |
| | 04724712AA | 1 | | | | | | | Left |
| | 04724713AA | 1 | | | | | | | REINFORCEMENT, Quarter Inner |
| 6 | | | | | | | | | Right |
| | 04724714AB | 1 | | | | | | | Left |
| | 04724715AB | 1 | | | | | | | SHIELD, Splash |
| 7 | | | | | | | | | Right |
| | 04724716AA | 1 | | | | | | | Left |
| | 04724717AA | 1 | | | | | | | PANEL, Rear Wheelhouse |
| 8 | | | | | | | | | Right |
| | 04724622AA | 1 | | | | | | | Left |
| | 04724623AA | 1 | | | | | | | TROUGH, Liftgate Opening |
| 9 | | | | | | | | | Right |
| | 05027050AB | 1 | | | | | | | Left |
| | 05027051AB | 1 | | | | | | | EXTENSION, Wheel House |
| 10 | | | | | | | | | Right |
| | 05017436AB | 1 | | | | | | | Left |
| | 05017437AB | 1 | | | | | | | TAPPING PLATE, Liftgate Strut, Serviced in Extension, Wheelhouse, (NOT SERVICED) |
| 11 | 05017437AB | 1 | | | | | | | SILENCER, Wheelhouse |
| 12 | | | | | | | | | Right |
| | 05027084AA | 1 | | | | | | | |

PT CRUISER (PT)

| | | | | |
|--------------|---|----------------|--|--|
| SERIES | LINE | BODY | ENGINE | TRANSMISSION |
| H = HIGHLINE | Z = CHRYSLER (RHD) C = CHRYSLER, LHD | 44 = Four Door | ECC = ENGINE - 2.0L 4 CYL DOHC 16V SMPI EDZ = ENGINE - 2.4L 4 CYL DOHC 16V SMPI | DGL = TRANSMISSION - 4-SPD. AUTOMATIC, 41TE DD5 = TRANSMISSION - 5-SPEED MANUAL DDO = All Manual Transmissions DGO = All Automatics |

AR = use ase required - = Non illustrated part

Quarter Panel
Figure SPT-910



| ITEM | PART NUMBER | QTY | LINE | SERIES | BODY | ENGINE | TRANS | TRIM | DESCRIPTION |
|------|-------------|-----|------|--------|------|--------|-------|------|--|
| | 05027085AA | 1 | | | | | | | Left |
| -13 | 05291445AB | 1 | | | | | | | EXHAUSTER, Bodyside Aperture |
| -14 | 0SJ58DX9AA | 2 | | | | | | | EXHAUSTER, A/C Air, Rear Door Opening Dogleg |
| 15 | 04724933AA | 1 | | | | | | | COVER, Fuel Filler Tube |
| 16 | | | | | | | | | BAFFLE, Quarter Inner |
| | 05027058AC | 1 | | | | | | | Right |
| | 05027059AC | 1 | | | | | | | Left |
| 17 | | | | | | | | | SHIELD, Wheelhouse |
| | 05027678AB | 1 | | | | | | | Rear Inner, Right |
| | 05027679AB | 1 | | | | | | | Rear Inner, Left |
| 18 | 06030441 | 2 | | | | | | | PIN, Retainer |
| 19 | 06506786AA | 2 | | | | | | | NUT, Snap In, M4.2 x 1.41 |
| 20 | 06505628AA | 2 | | | | | | | SCREW AND WASHER, Tapping Hex Head, M4.2x1.41x20 |

PT CRUISER (PT)

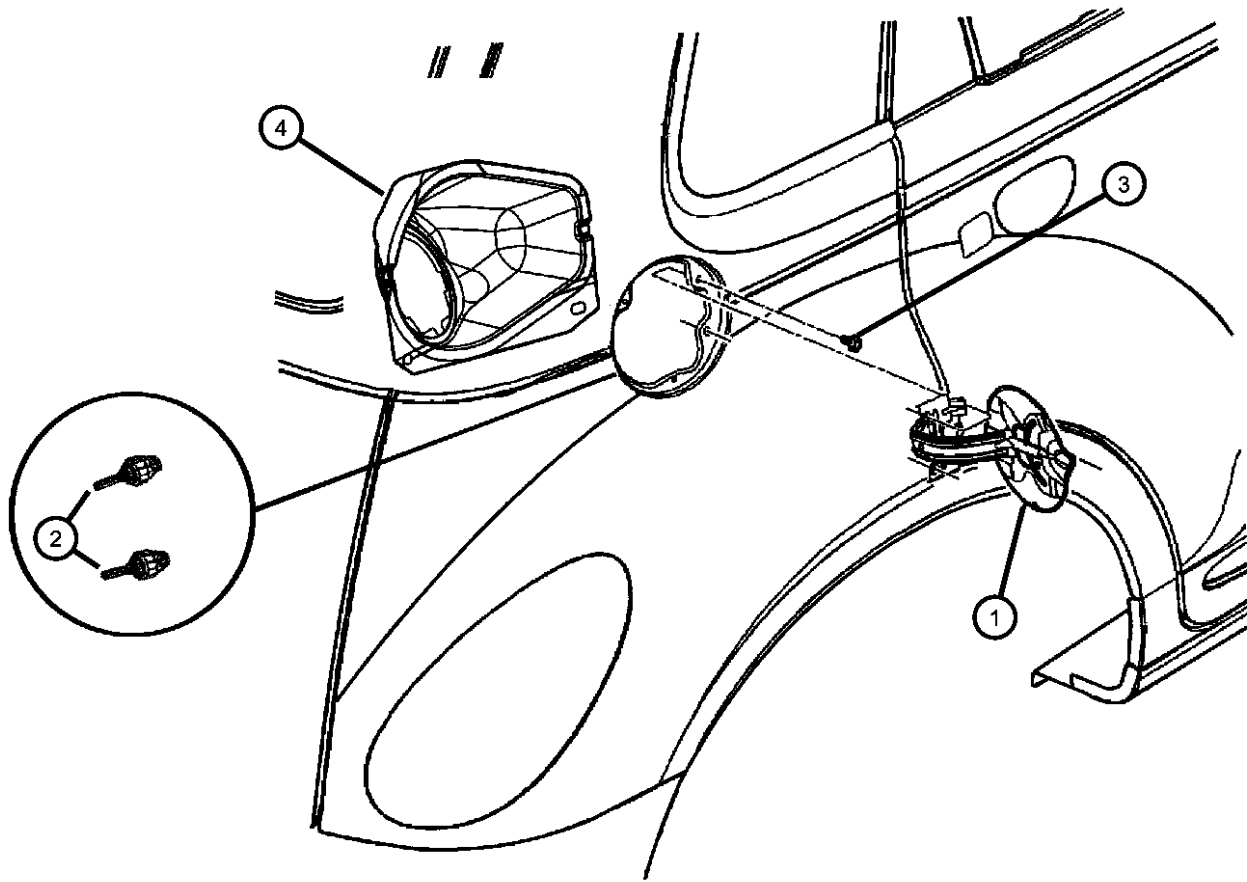
| | | | | |
|--------------|---|----------------|--|--|
| SERIES | LINE | BODY | ENGINE | TRANSMISSION |
| H = HIGHLINE | Z = CHRYSLER (RHD) C = CHRYSLER, LHD | 44 = Four Door | ECC = ENGINE - 2.0L 4 CYL DOHC 16V SMPI EDZ = ENGINE - 2.4L 4 CYL DOHC 16V SMPI | DGL = TRANSMISSION - 4-SPD. AUTOMATIC, 41TE DD5 = TRANSMISSION - 5-SPEED MANUAL DDO = All Manual Transmissions DGO = All Automatics |

AR = use ase required - = Non illustrated part

2001 PT

Fuel Filler Door
Figure SPT-920

| ITEM | PART NUMBER | QTY | LINE | SERIES | BODY | ENGINE | TRANS | TRIM | DESCRIPTION |
|------|-------------|-----|------|--------|------|--------|-------|------|-------------------------------------|
| 1 | 04724669AA | 1 | | | | | | | DOOR, Fuel Fill |
| 2 | 05027136AA | 2 | | | | | | | BUMPER, Fuel Door |
| 3 | 06503318 | 2 | | | | | | | SCREW, Pan Head Tapping, M6x1x11 |
| 4 | 04724678AA | 1 | | | | | | | HOUSING, Fuel Filler |



PT CRUISER (PT)

SERIES

LINE

BODY

ENGINE

TRANSMISSION

H = HIGHLINE

Z = CHRYSLER (RHD)

44 = Four Door

ECC = ENGINE - 2.0L 4 CYL

DGL = TRANSMISSION - 4-SPD.

DOHC 16V SMPI

AUTOMATIC, 41TE

EDZ = ENGINE - 2.4L 4 CYL

DD5 = TRANSMISSION - 5-SPEED

DOHC 16V SMPI

MANUAL

DDO = All Manual Transmissions

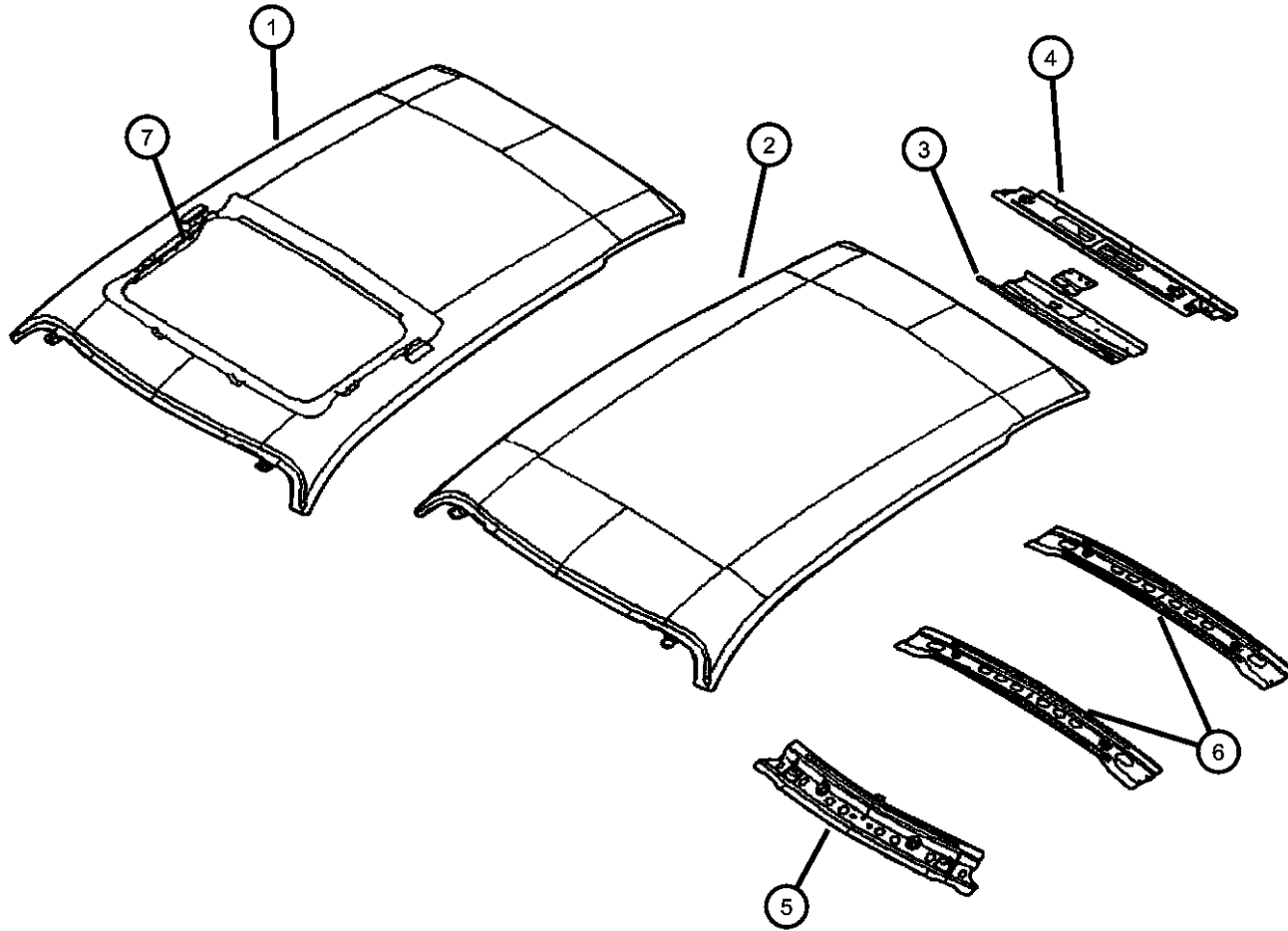
DGO = All Automatics

AR = use ase required - = Non illustrated part

2001 PT

Roof Panel
Figure SPT-1110

| ITEM | PART NUMBER | QTY | LINE | SERIES | BODY | ENGINE | TRANS | TRIM | DESCRIPTION |
|------|-------------|-----|------|--------|------|--------|-------|------|-----------------------------------|
| 1 | 04724525AA | 1 | | | | | | | ROOF, Sunroof |
| 2 | 04724524AA | 1 | | | | | | | ROOF |
| 3 | 04724619AA | 1 | | | | | | | FRAME, Liftgate OpeningLower |
| 4 | 05027048AA | 1 | | | | | | | FRAME, Liftgate OpeningUpper |
| 5 | 04724519AA | 1 | | | | | | | FRAME, Windshield |
| 6 | 05257990AA | 2 | | | | | | | BOW, Roof |
| 7 | 05027898AA | 1 | | | | | | | REINFORCEMENT, Sunroof Opening |



PT CRUISER (PT)

SERIES LINE
H = HIGHLINE Z = CHRYSLER (RHD)
 C = CHRYSLER, LHD

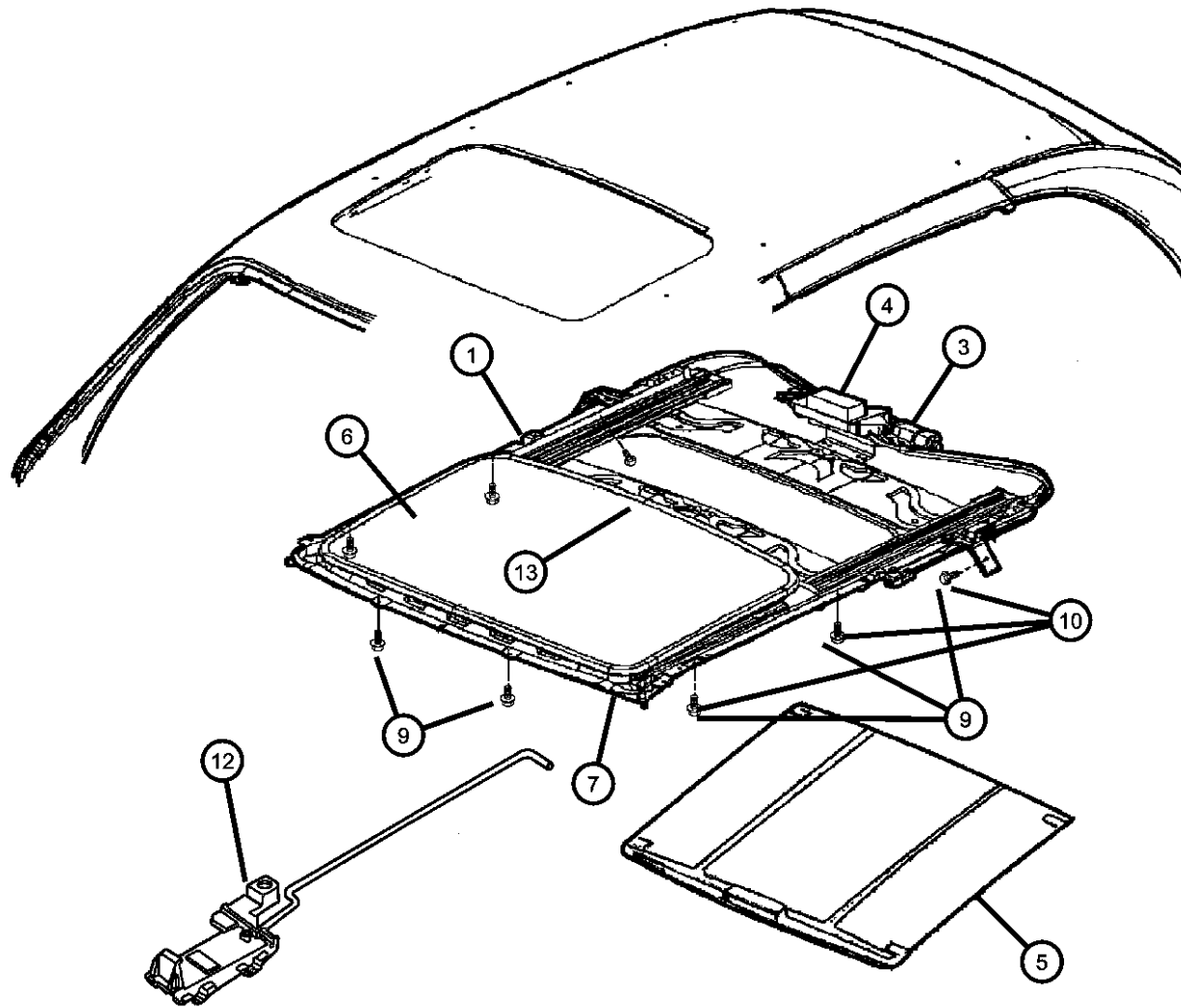
BODY
44 = Four Door

ENGINE TRANSMISSION
ECC = ENGINE - 2.0L 4 CYL DGL = TRANSMISSION - 4-SPD.
DOHC 16V SMPI AUTOMATIC,41TE
EDZ = ENGINE - 2.4L 4 CYL DD5 = TRANSMISSION - 5-SPEED
DOHC 16V SMPI MANUAL
 DDO = All Manual Transmissions
 DGO = All Automatics

AR = use ase required - = Non illustrated part

2001 PT

**Sunroof
Figure SPT-1210**



| ITEM | PART NUMBER | QTY | LINE | SERIES | BODY | ENGINE | TRANS | TRIM | DESCRIPTION |
|------|-------------|-----|------|--------|------|--------|-------|------|---|
| 1 | 05016631AB | 1 | | | | | | | MODULE, Sunroof, Less Glass |
| -2 | 05016634AB | 1 | | | | | | | DEFLECTOR, Sunroof Wind, With Screws |
| 3 | 05016635AA | 1 | | | | | | | MOTOR, Sunroof, With Screws |
| 4 | 05016636AB | 1 | | | | | | | CONTROL UNIT, Sunroof, With Screws |
| 5 | 05016633AB | 1 | | | | | | | SUNSHADE, Sunroof, With Bezel S/S Pull Cup |
| 6 | 05016632AB | 1 | | | | | | | GLASS, Sunroof, With Seal and Screws |
| 7 | 05016638AA | 1 | | | | | | | SEAL, Sunroof Glass |
| -8 | 05016639AB | 1 | | | | | | | TRIM LACE, Sunroof |
| 9 | 06505728AA | 8 | | | | | | | SCREW AND WASHER, Hex Head, M6x1x17, S/rf to Rf Rail & Rf Otr Panel |
| 10 | 06101442 | 8 | | | | | | | U-NUT, M6 x 1.00, M6x1.00, S/Rf to Rf Rail & Rf Otr Pnl |
| -11 | 05016637AA | 1 | | | | | | | WIRING, Sunroof |
| 12 | 05066433AA | 1 | | | | | | | GUIDE, Sunroof TrackRight & Left |
| 13 | 05101844AA | 1 | | | | | | | BRACE, WATER TROUGH |

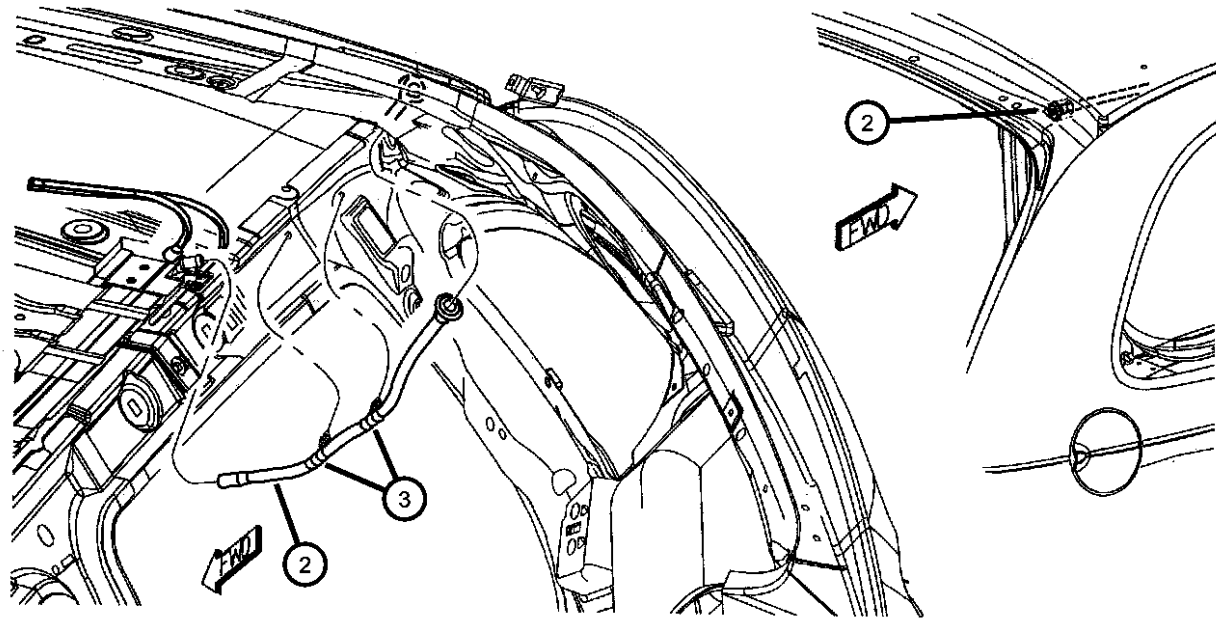
PT CRUISER (PT)

| | | | | |
|--------------|---|----------------|--|--|
| SERIES | LINE | BODY | ENGINE | TRANSMISSION |
| H = HIGHLINE | Z = CHRYSLER (RHD) C = CHRYSLER, LHD | 44 = Four Door | ECC = ENGINE - 2.0L 4 CYL DOHC 16V SMPI EDZ = ENGINE - 2.4L 4 CYL DOHC 16V SMPI | DGL = TRANSMISSION - 4-SPD. AUTOMATIC, 41TE DD5 = TRANSMISSION - 5-SPEED MANUAL DDO = All Manual Transmissions DGO = All Automatics |

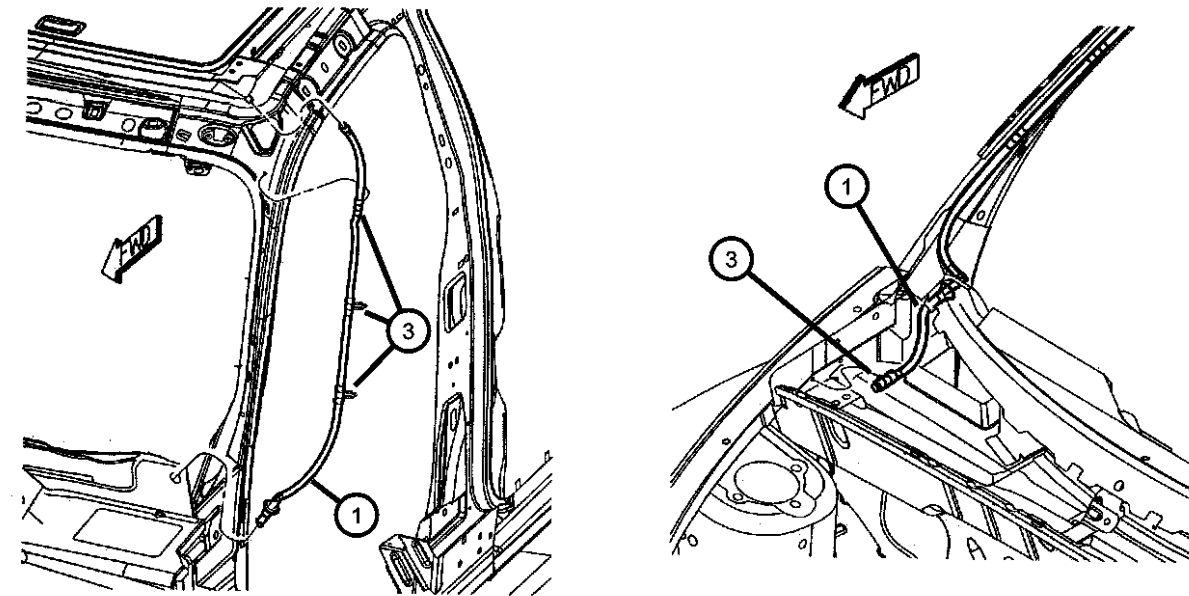
AR = use ase required - = Non illustrated part

2001 PT

Sunroof Drain Hoses
Figure SPT-1220



FRONT



REAR

| ITEM | PART NUMBER | QTY | LINE | SERIES | BODY | ENGINE | TRANS | TRIM | DESCRIPTION |
|------|-------------|-----|------|--------|------|--------|-------|------|--|
| 1 | 04724539AA | 2 | | | | | | | HOSE, Sunroof Drain, Rear Drain, Right and Left |
| 2 | 04724543AB | 1 | | | | | | | HOSE, Sunroof Drain Front Drain - R/L, Water Deflector Side |
| | 05027724AB | 1 | | | | | | | Front Drain - Lt LHD; Rt RHD, Wiper Motor Side |
| 3 | 06016236 | 3 | | | | | | | CLIP |

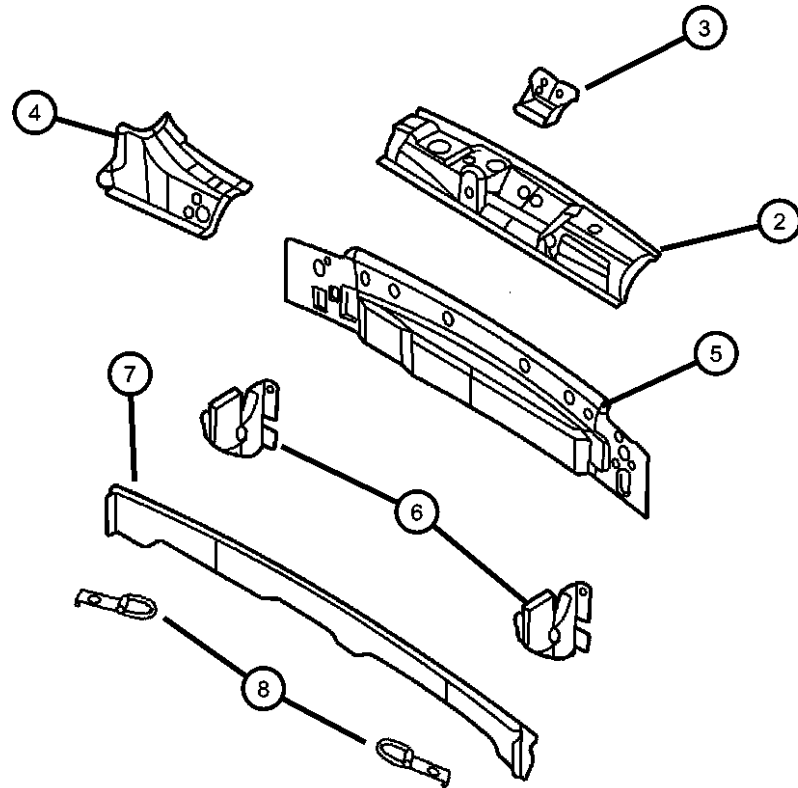
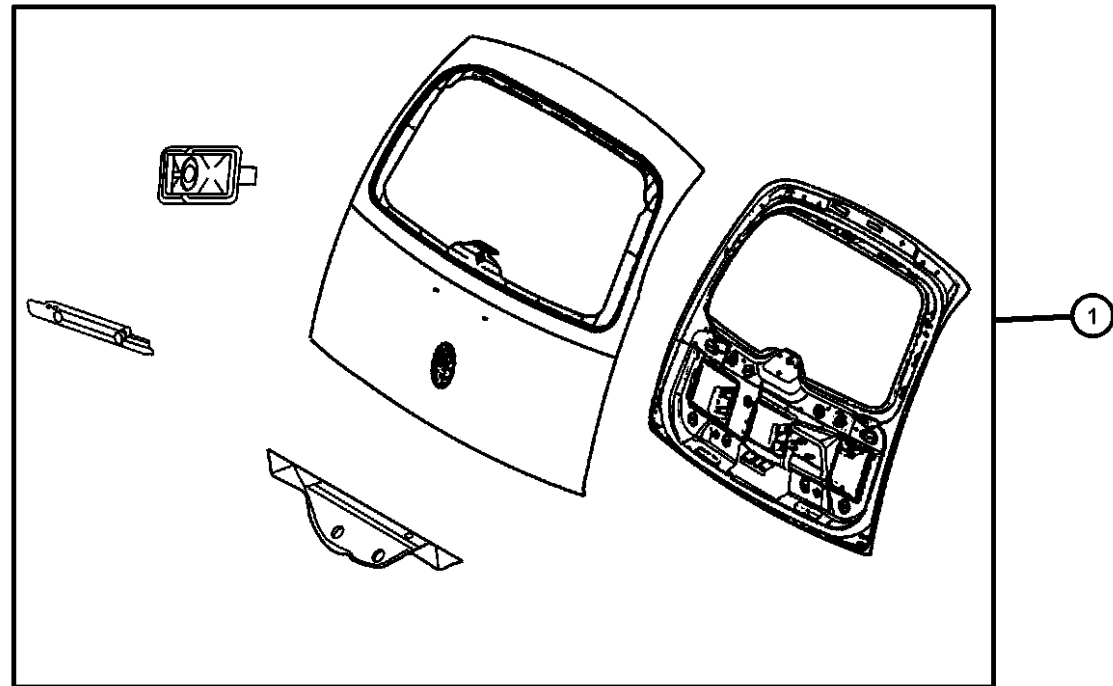
PT CRUISER (PT)

| | | | | |
|--------------|---|----------------|--|--|
| SERIES | LINE | BODY | ENGINE | TRANSMISSION |
| H = HIGHLINE | Z = CHRYSLER (RHD) C = CHRYSLER, LHD | 44 = Four Door | ECC = ENGINE - 2.0L 4 CYL DOHC 16V SMPI EDZ = ENGINE - 2.4L 4 CYL DOHC 16V SMPI | DGL = TRANSMISSION - 4-SPD. AUTOMATIC, 41TE DD5 = TRANSMISSION - 5-SPEED MANUAL DDO = All Manual Transmissions DGO = All Automatics |

AR = use ase required - = Non illustrated part

2001 PT

Liftgate Panel
Figure SPT-1310



| ITEM | PART NUMBER | QTY | LINE | SERIES | BODY | ENGINE | TRANS | TRIM | DESCRIPTION |
|------|-------------|-----|------|--------|------|--------|-------|------|---|
| 1 | 05015483AA | 1 | C | | | | | | LIFTGATE |
| 2 | 05017774AA | 1 | | | | | | | PANEL, Liftgate Opening Lower, Center, with Tapping Plate |
| 3 | 04724583AA | 1 | | | | | | | TAPPING PLATE, Striker |
| 4 | 04724584AA | 1 | | | | | | | PANEL, Liftgate Opening Lower Right |
| | 04724585AA | 1 | | | | | | | Left |
| 5 | 04724575AA | 1 | | | | | | | PANEL, Rear Closure |
| 6 | 04724860AA | 1 | | | | | | | REINFORCEMENT, Rear Floor Pan Closure To Spare Tire Closure Right |
| | 04724861AA | 1 | | | | | | | Left |
| 7 | 04724576AA | 1 | | | | | | | REINFORCEMENT, Floor Pan |
| 8 | 05027006AA | 2 | | | | | | | LOOP, Cargo Tie Down |
| -9 | | | | | | | | | HANDLE, Liftgate, Includes Wings |
| | 0TH29DX8AD | 1 | | | | | | | [X8] |
| | 0TH29SW1AD | 1 | | | | | | | [W1] |
| | 0TH29TTKAD | 1 | | | | | | | [TK] |
| | 0TH29VMTAD | 1 | | | | | | | [MT] |
| | 0TH29WB7AD | 1 | | | | | | | [B7] |
| | 0TH29WE-LAD | 1 | | | | | | | [EL] |
| | 0TH29WS2AD | 1 | | | | | | | [S2] |
| | 0TH29XGRAD | 1 | | | | | | | [GR] |

PT CRUISER (PT)

SERIES LINE
H = HIGHLINE Z = CHRYSLER (RHD)
C = CHRYSLER, LHD

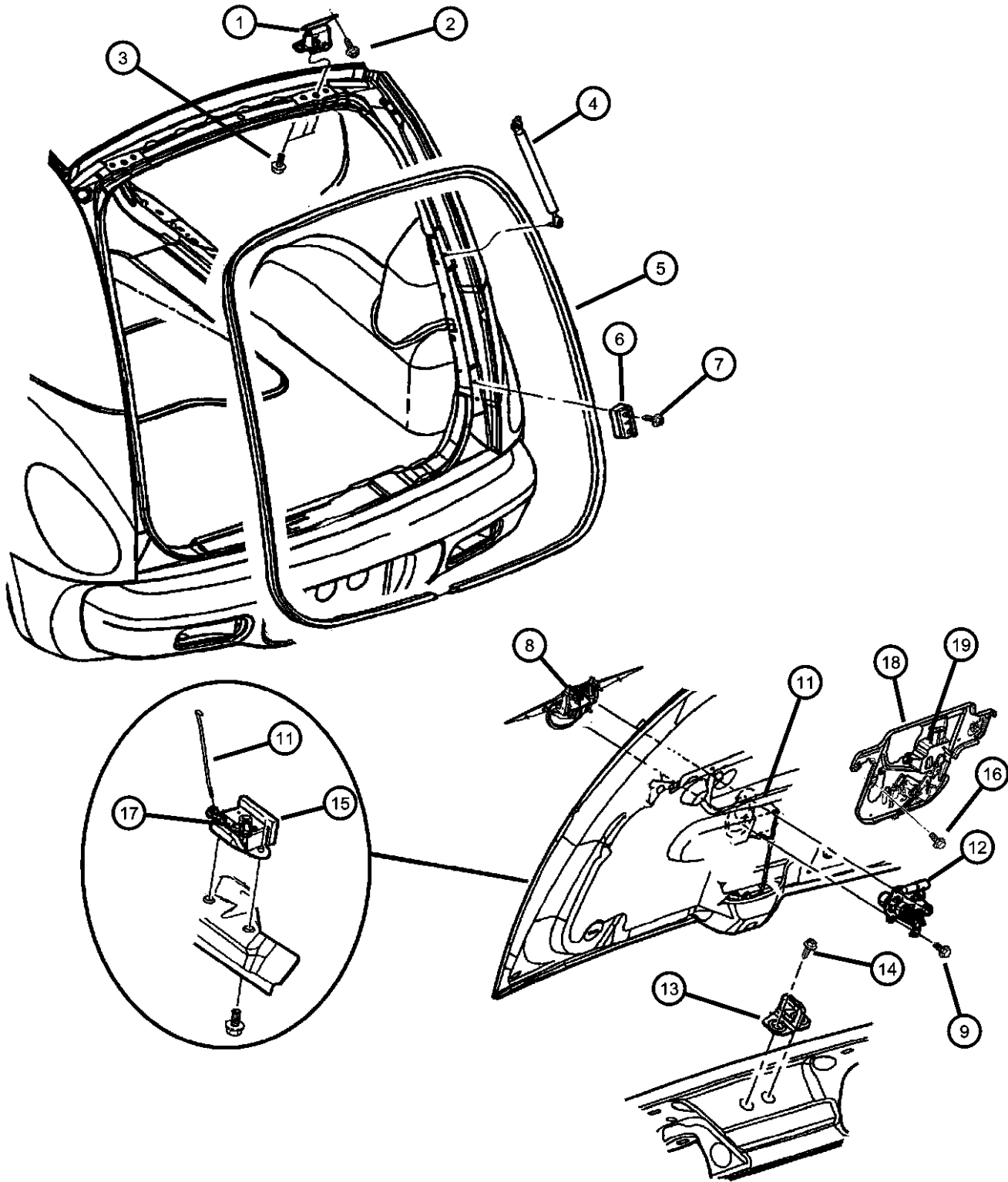
BODY
44 = Four Door

ENGINE TRANSMISSION
ECC = ENGINE - 2.0L 4 CYL DOHC 16V SMPI
EDZ = ENGINE - 2.4L 4 CYL DOHC 16V SMPI
DGL = TRANSMISSION - 4-SPD. AUTOMATIC, 41TE
DD5 = TRANSMISSION - 5-SPEED MANUAL
DDO = All Manual Transmissions
DGO = All Automatics

AR = use ase required - = Non illustrated part

2001 PT

Liftgate Hardware
Figure SPT-1320



| ITEM | PART NUMBER | QTY | LINE | SERIES | BODY | ENGINE | TRANS | TRIM | DESCRIPTION |
|------|-------------|-----|------|--------|------|--------|-------|------|--|
| 1 | | | | | | | | | HINGE, Liftgate |
| | 04724744AA | 1 | | | | | | | Right |
| | 04724745AA | 1 | | | | | | | Left |
| 2 | 06503692 | 4 | | | | | | | SCREW, M8-1.25, Hinge to Liftgate |
| 3 | 06502975 | 6 | | | | | | | SCREW AND WASHER, Hex Head, M8x1.25x33, Hinge to Body |
| 4 | 04724743AB | 2 | | | | | | | PROP, Liftgate |
| | G0004564 | | | | | | | | Mopar V-Line Alternative Part |
| 5 | 04724763AB | 1 | | | | | | | WEATHERSTRIP, Liftgate Opening |
| 6 | 04724746AA | 2 | C | | | | | | BUMPER, Rubber |
| 7 | 06504432 | 4 | | | | | | | SCREW, Pan Head, M6-1.00x29.00 |
| 8 | | | | | | | | | HANDLE, Liftgate |
| | 0TH29DX8AC | 1 | | | | | | | Black Clear Coat |
| | 0TH29SW1AC | 1 | | | | | | | Stone White Clear Coat |
| | 0TH29TTKAC | 1 | | | | | | | Taupe Frost Metallic |
| | 0TH29VMTAC | 1 | | | | | | | Deep Cranberry |
| | 0TH29WB7AC | 1 | | | | | | | Patriot Blue |
| | 0TH29WELAC | 1 | | | | | | | Inferno Red |
| | 0TH29WS2AC | 1 | | | | | | | Bright Silver Metallic |
| | 0TH29XGRAC | 1 | | | | | | | Shale Green Metallic |
| | 0TH29XQWAC | 1 | | | | | | | Aquamarine Metallic Clear Coat |
| 9 | 06100045 | 2 | | | | | | | NUT AND WASHER, Hex, M5x.80, Liftgate handle |
| -10 | 05027605AA | 1 | | | | | | | SEAL, Liftgate, to Roof |
| 11 | 04724750AB | 1 | | | | | | | LINK, Door Latch |
| 12 | 04724750AB | 1 | | | | | | | LOCK CYLINDER, Complete, See Group 23D, (NOT REQUIRED) |
| 13 | 04717928AA | 1 | | | | | | | STRIKER, Door Latch |
| 14 | 06503533 | 2 | | | | | | | SCREW, Flange Head, M8x1.25x26 |
| 15 | 05027013AA | 1 | | | | | | | LATCH, Liftgate |
| 16 | 06100274 | 2 | | | | | | | BOLT AND CONED WASHER, Hex Head, M6x14x14 |
| 17 | 56042454 | 1 | | | | | | | SWITCH, Liftgate, Comes With Item 15 or Serviced By Itself |
| 18 | | | | | | | | | CONTROL, Liftgate Lock, Liftgate |
| | 05027524AC | 1 | | | | | | | Without Power |

PT CRUISER (PT)

SERIES LINE
H = HIGHLINE Z = CHRYSLER (RHD)
C = CHRYSLER, LHD

BODY
44 = Four Door

ENGINE
ECC = ENGINE - 2.0L 4 CYL DOHC 16V SMPI
EDZ = ENGINE - 2.4L 4 CYL DOHC 16V SMPI

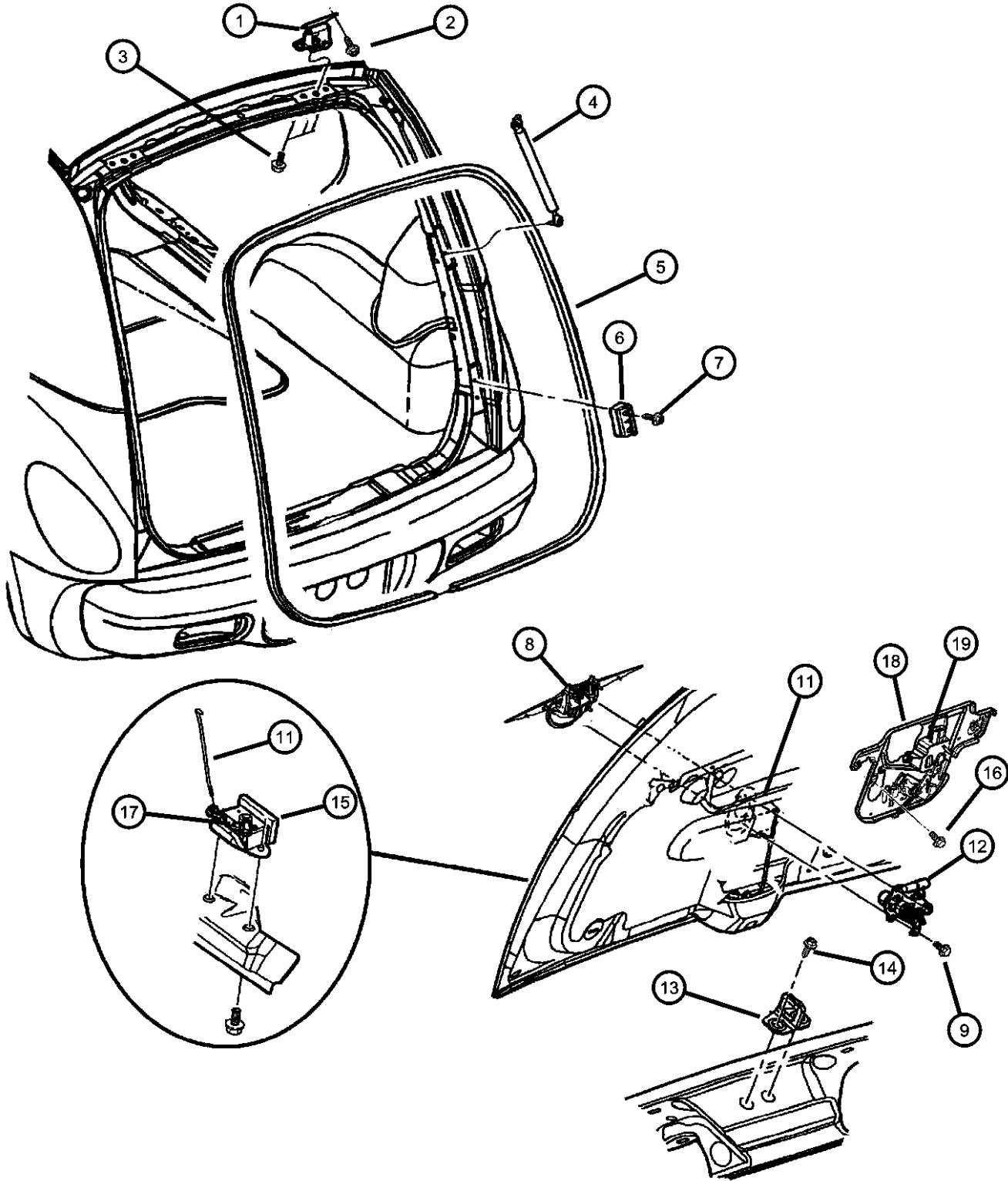
TRANSMISSION
DGL = TRANSMISSION - 4-SPD. AUTOMATIC, 41TE
DD5 = TRANSMISSION - 5-SPEED MANUAL
DDO = All Manual Transmissions
DGO = All Automatics

AR = use ase required - = Non illustrated part

2001 PT

Liftgate Hardware
Figure SPT-1320

| ITEM | PART NUMBER | QTY | LINE | SERIES | BODY | ENGINE | TRANS | TRIM | DESCRIPTION |
|------|-------------|-----|------|--------|------|--------|-------|------|-------------|
|------|-------------|-----|------|--------|------|--------|-------|------|-------------|



| | | | | | | | | | |
|----|------------|---|--|--|--|--|--|--|--|
| | 05027525AC | 1 | | | | | | | With Power |
| 19 | 05017854AA | 1 | | | | | | | ACTUATOR, Liftgate Lock, Serviced With Item 18 or Serviced By Itself |

With Power
ACTUATOR, Liftgate Lock,
Serviced With Item 18 or Serviced
By Itself

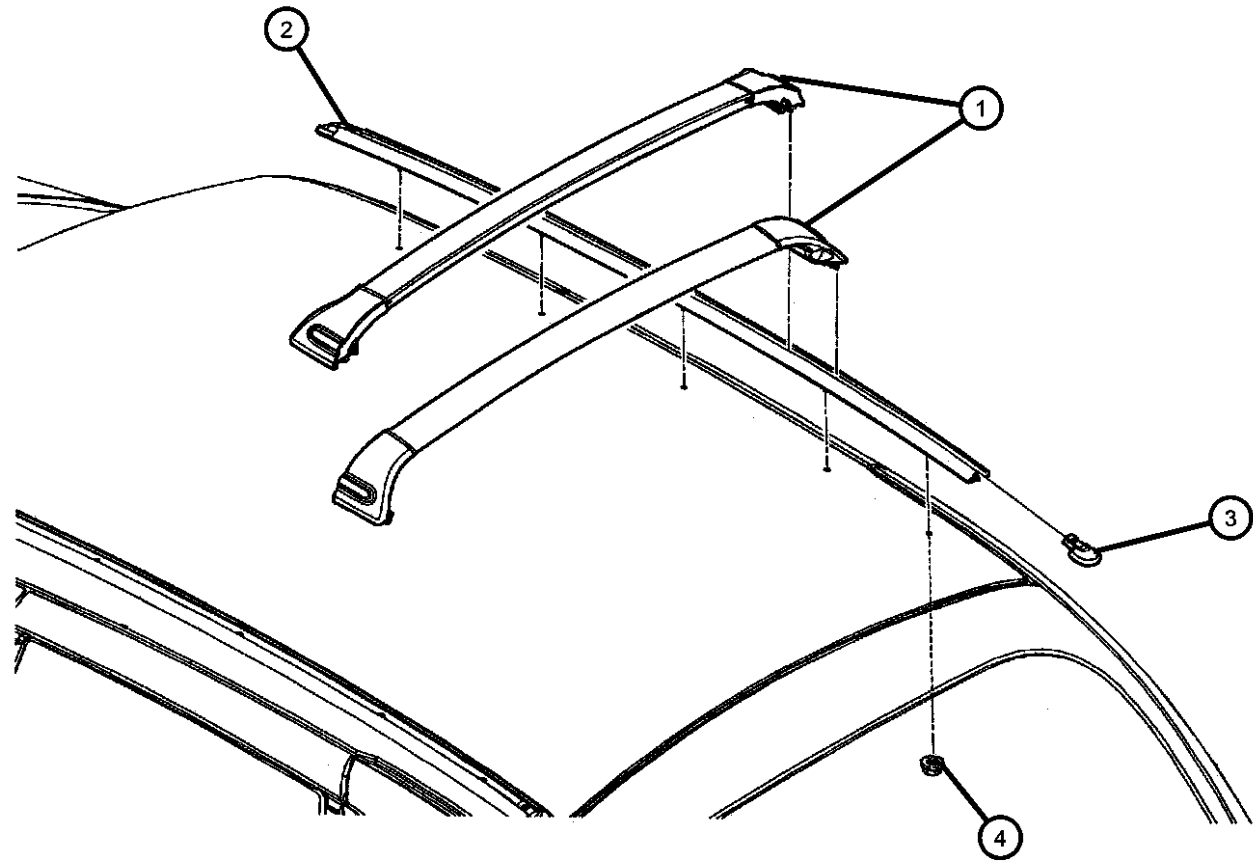
PT CRUISER (PT)

| | | | | |
|--------------|---|----------------|--|--|
| SERIES | LINE | BODY | ENGINE | TRANSMISSION |
| H = HIGHLINE | Z = CHRYSLER (RHD) C = CHRYSLER, LHD | 44 = Four Door | ECC = ENGINE - 2.0L 4 CYL DOHC 16V SMPI EDZ = ENGINE - 2.4L 4 CYL DOHC 16V SMPI | DGL = TRANSMISSION - 4-SPD. AUTOMATIC, 41TE DD5 = TRANSMISSION - 5-SPEED MANUAL DDO = All Manual Transmissions DGO = All Automatics |

AR = use ase required - = Non illustrated part

2001 PT

Luggage Rack - Roof
Figure SPT-1610



| ITEM | PART NUMBER | QTY | LINE | SERIES | BODY | ENGINE | TRANS | TRIM | DESCRIPTION |
|------|-------------|-----|------|--------|------|--------|-------|------|--|
| 1 | 05288812AD | 2 | | | | | | | RAIL, LUGG RACK CROSS European |
| | 05303522AA | 2 | | | | | | | |
| 2 | 05288820AB | 1 | | | | | | | RAIL, Luggage Rack Side Right |
| | 05288821AB | 1 | | | | | | | Left |
| 3 | 05017882AA | 1 | | | | | | | COVER, Luggage Rack Front, Right |
| | 05017883AA | 1 | | | | | | | Front, Left |
| | 05288966AB | 2 | | | | | | | Rear |
| 4 | 06505881AA | 10 | | | | | | | NUT AND WASHER, Hex Nut-Coned Washer, M6 x 1.00 |
| -5 | 05072125AA | 1 | | | | | | | STANCHION COVER, Cover Right, Rear |
| | 05072124AA | 2 | | | | | | | Left, Rear |
| | | 1 | | | | | | | Right Front |
| | | 2 | | | | | | | Left Front |

PT CRUISER (PT)

| | | | | |
|--------------|---|----------------|--|--|
| SERIES | LINE | BODY | ENGINE | TRANSMISSION |
| H = HIGHLINE | Z = CHRYSLER (RHD) C = CHRYSLER, LHD | 44 = Four Door | ECC = ENGINE - 2.0L 4 CYL DOHC 16V SMPI EDZ = ENGINE - 2.4L 4 CYL DOHC 16V SMPI | DGL = TRANSMISSION - 4-SPD. AUTOMATIC, 41TE DD5 = TRANSMISSION - 5-SPEED MANUAL DDO = All Manual Transmissions DGO = All Automatics |

AR = use ase required - = Non illustrated part

2001 PT